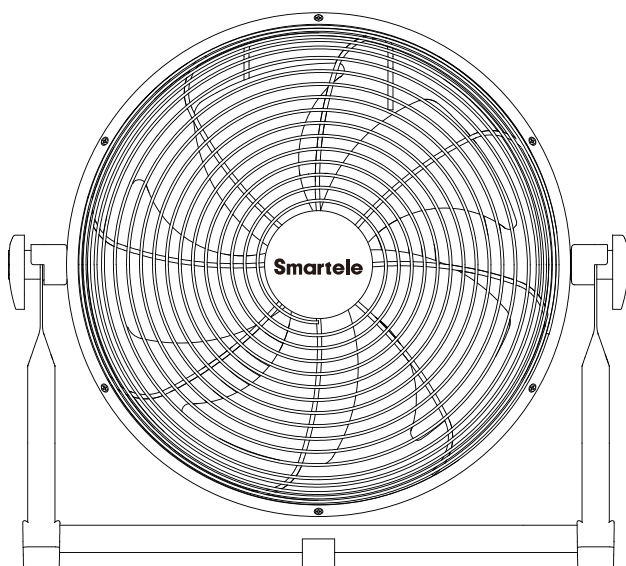


Smartele

Instruction manual



12"/16" Rechargeable Floor Fan

Thank you for choosing our products from Smartele.
Please read the user manual and safety instructions carefully before using the appliance.

Safety Warning

- Please make sure to connect firstly the charging cable to the fan and then plug the charging cable into the household outlet. Otherwise, it may spark on the charging port.
- Due to violent transportation, the battery-operated fan may fail to turn on or charge for reason of wire loose. If this happens, please contact Smartele.
- Supported by a technical team based in LA. If you have any questions, please contact Smartele. Your Amazon messages will be answered within 24 hours.
- Use the appliance only as described in this instruction manual.
- This appliance can be used by children aged from eight years if they have been given supervision or instruction concerning use of the appliance in a safe way and understand the hazards involved.
- Check that the voltage of the main circuit corresponds with the rating of the appliance before operating.
- This appliance is not a toy. Don't leave it unattended around children or pets .
- This appliance can be used by children aged from eight years if they have been given supervision or instruction concerning use of the appliance in a safe way and understand the hazards involved.

- Children shall not play with the appliance.
- Cleaning and user maintenance shall not be made by children without supervision.
- Keep the appliance and all parts out of the reach of children.
- This appliance is intended for domestic use only. It should not be used for commercial purposes.
- Place the appliance on a flat and dry surface.
- When moving the appliance, please ensure it keeping upright.
- Please ensure the power adapter is inserted into the power socket before charging the appliance and operating the appliance with the power adapter.
- Do not cover the power adapter and power cord when charging the appliance and operating the appliance with the power adapter.
- Do not insert fingers or anything into the front and rear grilles nor the fan blades, which can keep the grilles and fan blades unblocked.
- Do not operate the appliance with wet hands.
- Do not leave the appliance unattended whilst connected to the power adapter and power cord.
- Do not pull the power adapter and power cord to stop the appliance when the power adapter and power cord are connected to the appliance.
- Do not unplug the power adapter and power cord from the appliance until it has been switched off.

- Do not modify the appliance or use any accessories other than those supplied.
- Do not place or use the power adapter/power cord to charge the device in the bathroom or somewhere wet.
- Do not cover the appliance whilst in use.
- When the appliance is operating, please keep it away from curtains, draperies, tablecloths or other fabrics, as they may be drawn into the fan which will damage the motor and cause a fire.
- Do not place the appliance near flammable gases(e.g. aerosol cans), petrol, ovens, or other heating sources.
- Do not attempt to repair or adjust any electrical or mechanical elements of the appliance, which is unsafe and it will void your warranty.
- Do not operate the appliance if there are damage of the appliance or any of the accessories.
- Do not clean the appliance with chemical solvents. Please ensure the appliance is turned off and unplugged from the power supply before cleaning.
- Please avoid the power adapter or power cord to become a tripping hazard.
- Don't use extension cable with the power adapter/power cord as they may overheat to cause a fire.
- If the power adapter or power cord is damaged, it must be replaced by the manufacturer, its service agent or a similarly qualified person to avoid danger .

- Prior to cleaning or other maintenance, the appliance must be disconnected from the power adapter and power cord if it is attached to the appliance.
- Unplug the appliance if connected to the power adapter and power cord and store in a cool and dry place when not in use.
- Never place anything on top of the appliance.
- A rechargeable lithium-ion battery pack is built into the appliance. Do not dispose of the product in a fire as it may explode.
- Only recharge the appliance with the provided power adapter and power cord. Do not use the power adapter and power cord with any other appliance.

Specifications

FF12Y - 12" Rechargeable Floor Fan

Product Dimensions	425 x 175 x 370mm
Net Weight	3.2kg
Motor	BLDC
Power	Max 43W
Power Input	100-240V~50/60Hz 1.5A
Power Output	24V \equiv
USB Output	5V \equiv 1A
Charge Time	2.5h
Working Time (At Min Speed)	30h
Working Time (At Max Speed)	4h
Min Noise Level	45dB
Max Noise Level	63dB
IP Rating	IP24

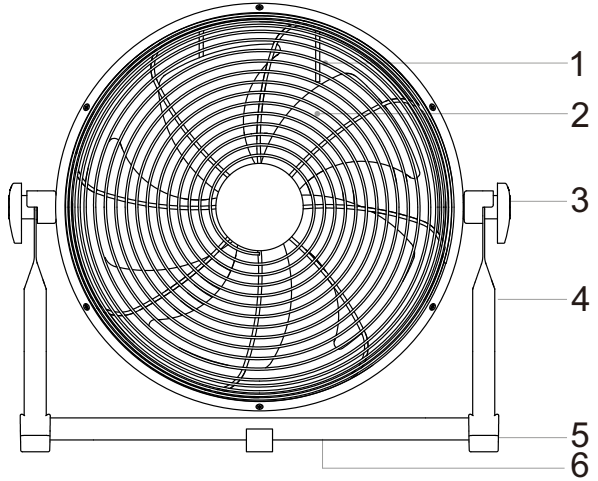
FF16Y - 16" Rechargeable Floor Fan

Product Dimensions	535 x 200 x 470mm
Net Weight	4.24kg
Motor	BLDC
Power	Max 43W
Power Input	100-240V~50/60Hz 1.5A
Power Output	24V \equiv
USB Output	5V \equiv 1A
Charge Time	2.5h
Working Time (At Min Speed)	30h
Working Time (At Max Speed)	3h
Min Noise Level	45dB
Max Noise Level	63dB
IP Rating	IP24

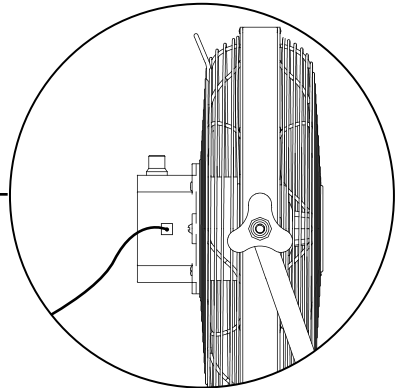
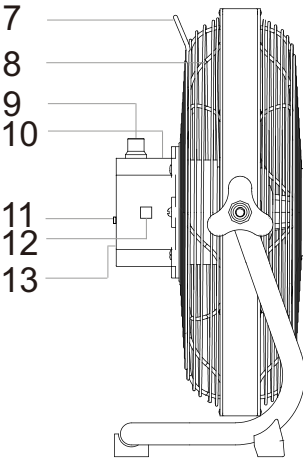
Parts

Front View

1. Front grille
2. AS fan blades
3. Adjusting nuts
4. Fan stand
5. Anti-slip rubber feet
6. Base
7. Handle
8. Rear grille
9. Fan speed knob
10. Control panel
11. USB charging port
12. Power connector
13. Battery
14. hook

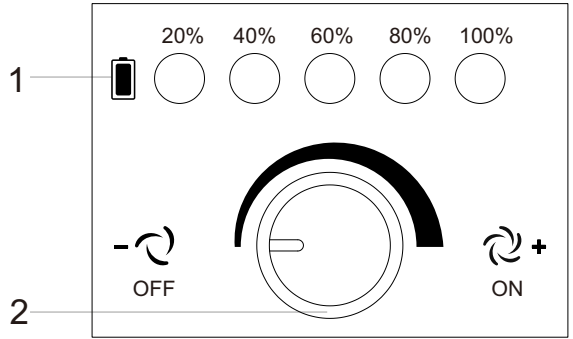


Power Adapter



Control Panel

1. Power indicator lights
2. Fan speed knob



Controls

Power Indicator Lights

- Indicate the remaining battery charge percentage of the rechargeable battery. When fully charged all power indicator lights will illuminate. Note, 20% will always show as red but all other power indicator lights will show as blue.
- As the battery charge decreases from 100% to 20% the power indicator lights will turn off in descending order from right to left. Prior to descending through each respective battery charge percentage the higher battery charge percentage will blink briefly indicating that the battery charge percentage is about to reduce.
- When at 20% the power indicator light will not blink prior to reaching 0%. Once 0% is reached the appliance will turn off.

Fan Speed Knob

Turns the appliance on and off which controls the fan speed.

Note!!The fan speed is stepless.Multiple fan speed variables can be adjusted to meet your specific requirements.

Set-Up

Prior to use follow the below steps and ensure that the appliance is fully charged.

1. Remove the appliance and power adapter from the box.
2. Place the appliance on a flat and stable surface.
3. Plug the power adapter into a power socket and connect to the power connector to fully charge the appliance
4. When it is charging, the LED indicator lights will flash consecutively from left to right. As the power is restored in 20% increments the corresponding light will stop blinking and remain permanently on.
5. Once fully charged all the power indicator lights will remain on.
6. Unplug the power adapter from the power socket and the power connector. The indicator lights will switch off.
7. Turn the appliance on.

Fan Angle Adjustment

Adjust the fan angle through 160° to achieve optimal air circulation.

To adjust the fan angle:

1. Turn off the appliance.
2. Slightly loosen the adjustment nuts by turning counter-clockwise.
3. Adjust fan angle to desired angle.
4. Tighten the adjustment nuts by turning clockwise.
5. Turn on the appliance.

USB Charging Port

Insert a USB cable to charge devices such as a smartphone.

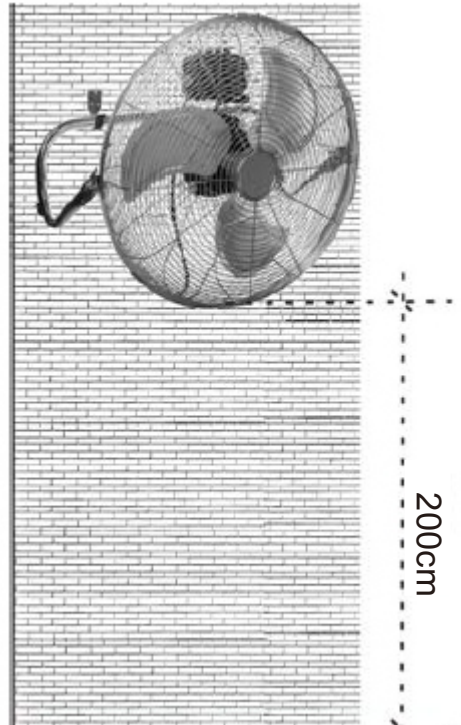
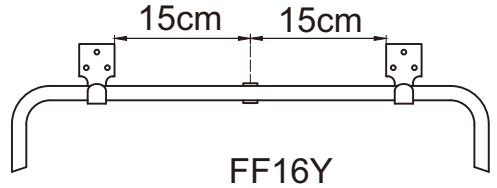
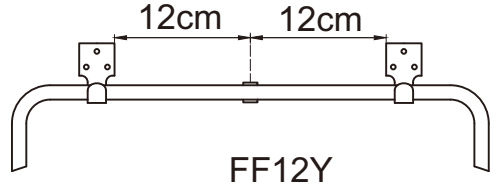
Note, the output from the USB charging port is 5V 1A.

Cleaning

Firstly we should turn off the appliance and unplug the power adapter from the power socket and the power connector. Then we can use a soft and dry cloth to clean away dust and debris from the exterior surface of the appliance.

Wall Installation

- The appliance must only be used if secured to a wall: the wall must be flat, smooth, very stable (as the appliance could tip over) and resistant.
- Position the appliance far from other sources of heat, inflammable materials, curtains, carpets, etc., inflammable gases or explosive materials (spraycans).
- If the appliance is fitted to a wall, the same must be made of masonry and / or of resistant material (not of wood or synthetic material); follow the indications below for installation:
 - The wall fan must be installed at least 2 m above the floor (below picture)
 - Fix two hooks to the wall (at a distance, below picture.3), make the holes on the wall, inserting the hooks into the slots provided with screws. Attach the appliance on the wall with hooks; once completed, ensure the fan is securely installed onto the wall.



ABOUT SMARTELE

Designed to provide a smarter solution to your daily life. Smartele is committed to providing comfort to your outdoor lifestyle by bringing you cooler air, natural breeze, or strong winds at multiple speeds. What makes Smartele fan unique is its ability to operate anywhere without any power source wherever you are. You can now enjoy Smartele when camping outdoors, picnics, outdoor adventures, and many more.

QUALITY SERVICE GUARANTEE

This product is warranted 1 year for all other parts from the date of purchase.

Our goods come with guarantees that cannot be excluded under the Local Consumer Law. You are entitled to a replacement or refund for a major failure and compensation for any other reasonably foreseeable loss or damage. You are also entitled to have the goods repaired or replaced if the goods fail to be of acceptable quality and the failure does not amount to a major failure. Warranty does not cover products that have not been used in accordance with user guide or are outside the warranty terms and conditions.

Smartele



official@setpowerusa.com

support@setpowerusa.com