

INSTALLATION INSTRUCTIONS FOR LEVERSET

BEFORE PROCEEDING:

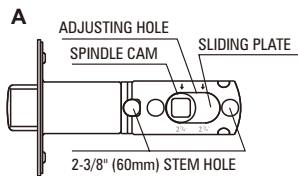
1. Make sure backset of lock is same as backset of your door. If not, adjust the backset to fit your door as shown in step 1.
2. Please read this instructions completely before attempting to install lock.

TOOLS REQUIRED:

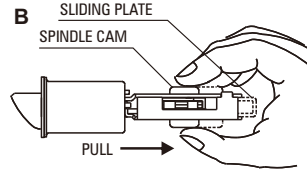
1. Electric drill
2. 2" and 1" drill dits
3. Screwdriver
4. 1" chisel
5. Soft faced hammer

1. ADJUSTABLE LATCH FOR 2-3/8" (60mm) AND 2-3/4" (70mm) BACKSET

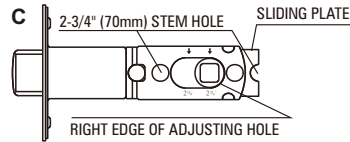
Some models are supplied with adjustable latch which can fit 2-3/8" or 2-3/4" (60mm or 70mm) backset. Adjustable latch was preset at factory for a 2-3/4" (70mm) backset. If a 2-3/8" (60mm) backset is required, please adjust as shown below.



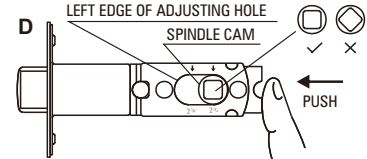
- This latch is for 2-3/8" (60mm) backset.



- Pull spindle cam all the way to right edge of adjusting hole.



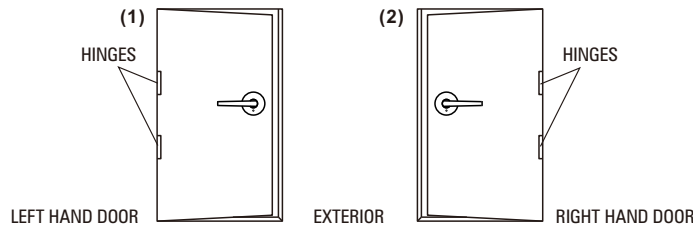
- Be sure the 2-3/4" (70mm) stem hole is properly aligned.
- Your latch is now set for a 2-3/4" (70mm) backset.



- To re-set 2-3/8" (60mm) backset just push spindle cam to left edge of adjusting hole.

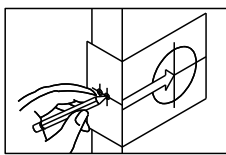
Note : Be sure to keep spindle cam square in correct position as illustrated before pushing spindle cam to left. Otherwise you will have difficulty in pushing spindle cam to left.

2. DETERMINE HANDING OF YOUR DOOR



- Stand at exterior side and face to your door .
- (1) Your door is left hand door if hinges were installed at your left hand.
 - (2) Your door is right hand door if hinges were installed at your right hand.

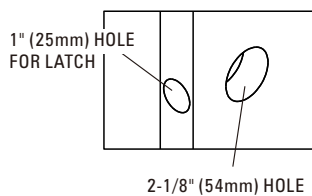
3. MARK DOOR



- Start 36" (914mm) from floor . fold and apply template on door edge and mark center of door edge.
- Select 2-3/8" or 2-3/4" (60mm or 70mm) backset as desired and mark center of hole on door face.

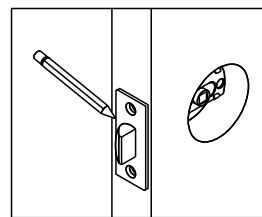
NOTE: Backset on door face must be same as backset of your lock.

4. DRILL HOLES

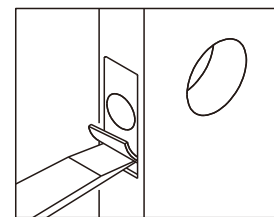


Drill holes as marked.
NOTE: Drill 2" (51mm) or 2-1/8" (54mm) hole from both side of door to avoid splitting wood.

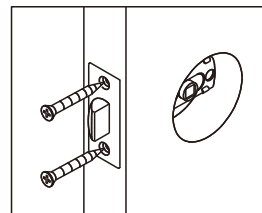
5. INSTALL LATCH



- Insert latch in hole and keep it parallel to door face. Mark outline of face plate and remove latch.

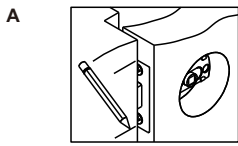


- Chisel 1/8" (3mm) deep or until face plate flush with door edge.

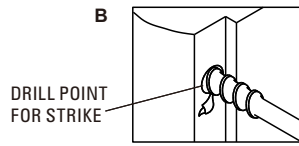


- Insert latch and tighten screws.

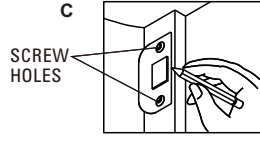
6. INSTALL STRIKE



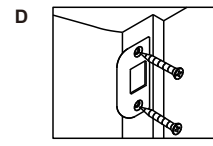
Close door until latchbolt touches jamb to locate strike in jamb and center line of strike. Open door and extend line from mark to door stop. Measure one half of door thickness from door stop and vertically mark drill point center for strike.



Drill 1" (25.4mm) hole 1/2" (13mm) deep in door jamb on drill point for strike.
CAUTION: To assure proper lockset function hole in jamb must be drilled a full 1/2" (13mm) deep.



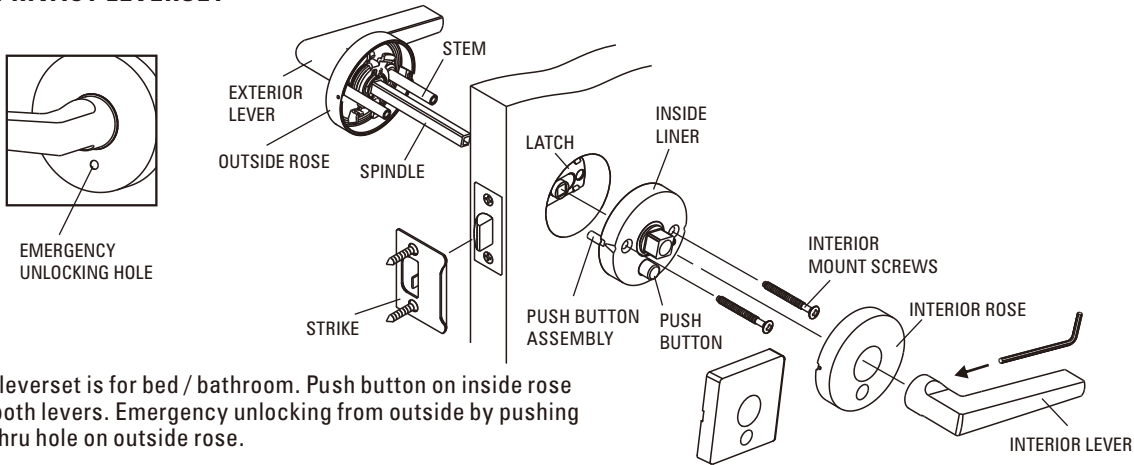
Match screw holes on strike with center line on jamb. Outline outside edge of strike. Chisel 1/16" (1.6mm) deep for strike.



Adjustable tang on strike permits bending in or out to eliminate too loose fit between door and door stop.
INSTALL STRIKE AND TIGHTEN SCREWS.

7. INSTALL LEVER - PRIVACY

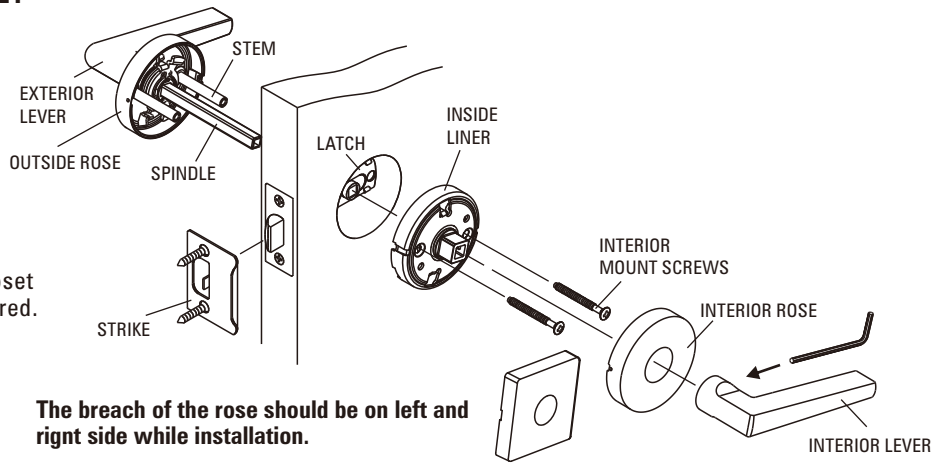
INSTALL PRIVACY LEVERSET



Privacy lever set is for bed / bathroom. Push button on inside rose to lock both levers. Emergency unlocking from outside by pushing button thru hole on outside rose.

8. INSTALL LEVER - PASSAGE

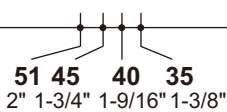
INSTALL PASSAGE LEVERSET



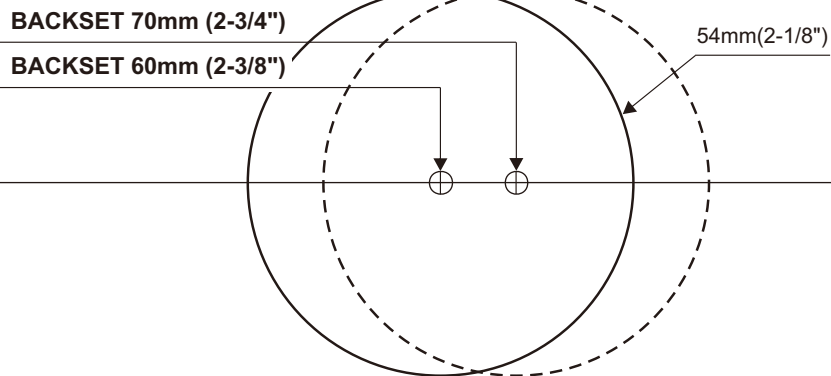
Passage lever set is for hall / closet doors where no locking is required. Depress lever to latch door.

The breach of the rose should be on left and right side while installation.

TEMPLATE



Mark 1" (25.4mm) hole at center of door edge.

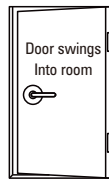


DUMMY LEVER INSTALLATION INSTRUCTIONS & TEMPLATE

1. DETERMINE HANDING OF YOUR DOOR



Left hand door



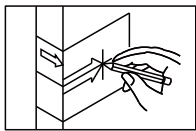
Right hand door

Exterior

Stand on the exterior, outside the room, facing the door.

- (1) The door is left hand door if hinges are installed on your left and door swings into the room.
- (2) The door is right hand door if hinges are installed on your right and door swings into the room.

2. MARK DOOR

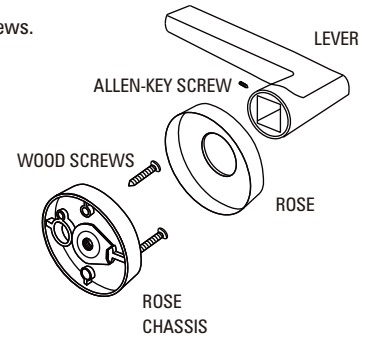


- a. Position the horizontal center line of the template at the height of 914mm (36") or 965mm (38") from the finished floor, fold template on the corner of the door and mark the center of the dummy lever on the door edge.
- b. Select 60mm (2-3/8") or 70mm (2-3/4") backset as desired and mark center of the dummy lever on the face of the door.
- c. Mark the dummy lever mounting holes on the door for the appropriate type of dummy lever installation using the dummy lever. Ensure lever is centered on the marked center.

3. INSTALL DUMMY LEVER

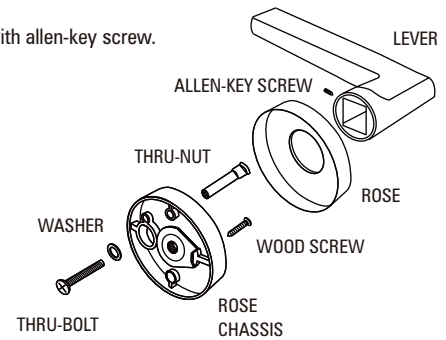
Dummy Surface Mounted (#78)

Pre-drill and install rose-chassis using supplied wood screws. Install rose on the rose-chassis. Install lever on rose chassis shaft and secure with allen-key screw.



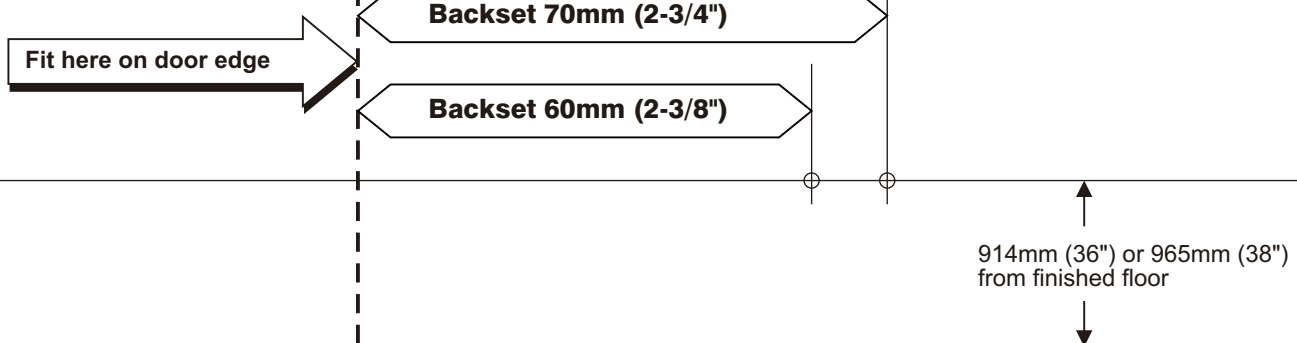
Dummy Thru-bolt (#79)

Drill 8mm (5/16") diameter through hole, fit thru-nut into roes chassis. Install rose chassis using thru-bolt with cup washer on the inside side of the door. Pre-drill and install wood screw. Install rose on the rose-chassis. Install lever on rose chassis shaft and secure with allen-key screw.



TEMPLATE FOR #78 DUMMY LEVER

TEMPLATE



TEMPLATE FOR #79 DUMMY LEVER

TEMPLATE

