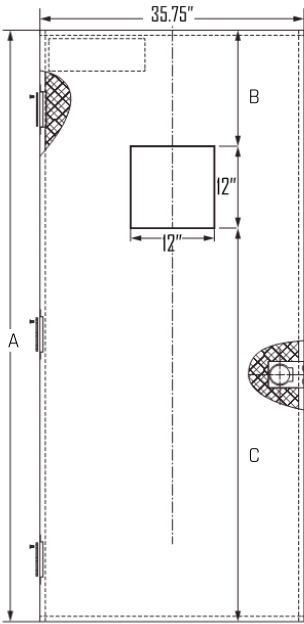
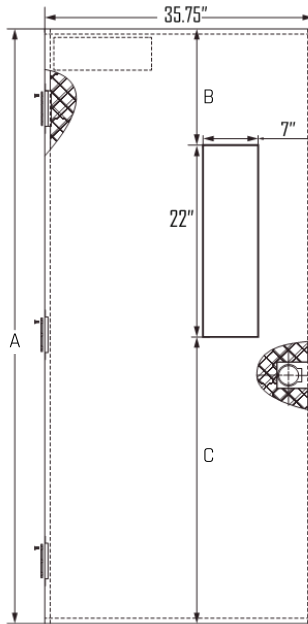




# Hollow Metal Standard Cutout Locations

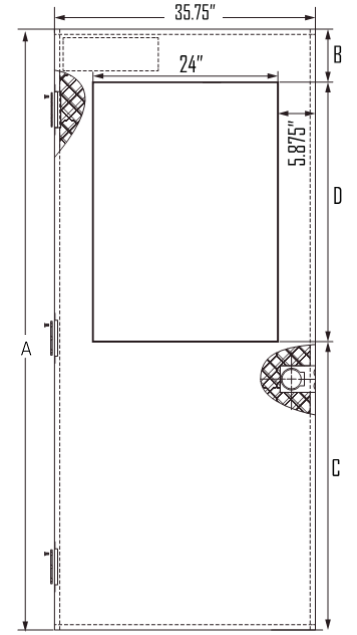


Door Size	A	B	C
6'8"	79-1/8"	11"	56-1/8"
7'0"	83-1/8"	15"	56-1/8"
8'0"	95-1/8"	27"	56-1/8"

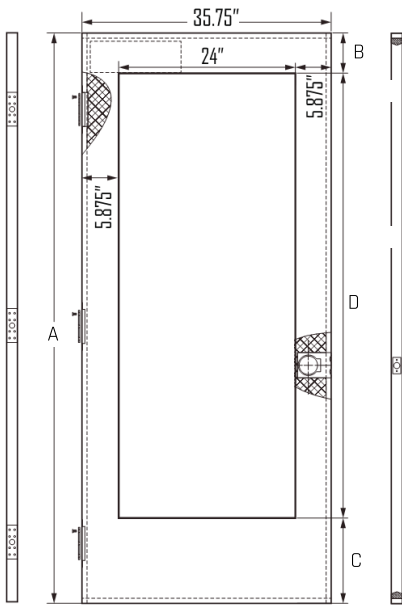


**STOCK**

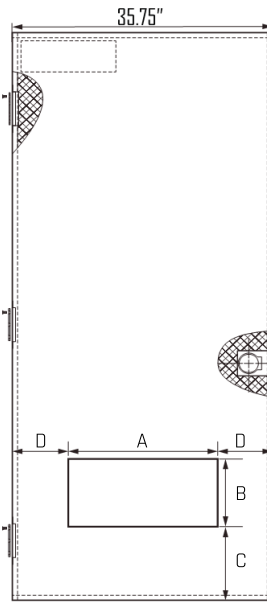
Door Size	A	B	C
6'8"	79-1/8"	11"	46-1/8"
7'0"	83-1/8"	15"	46-1/8"
8'0"	95-1/8"	27"	46-1/8"



Door Size	A	B	C	D
6'8"	79-1/8"	8"	39-1/8"	30"
7'0"	83-1/8"	10"	43-1/8"	30"
8'0"	95-1/8"	10"	49-1/8"	36"



Door Size	A	B	C	D
6'8"	79-1/8"	8"	10-1/8"	60"
7'0"	83-1/8"	10"	13-1/8"	60"
8'0"	95-1/8"	10"	13-1/8"	72"



Door Size	A	B	C	D
6'8"	24"	12"	10-1/8"	EQUAL
7'0"	24"	12"	13-1/8"	EQUAL
8'0"	24"	12"	13-1/8"	EQUAL

## Hinge & Lock Locations

	6'8"	7'0"	8'0"
Top of door-top of hinge - 1st	7-3/8"	7-3/8"	7-3/8"
Top of door-top of hinge - 2nd	37-5/16"	39-5/16"	32-21/32"
Top of door-top of hinge - 3rd	67-1/4"	71-1/4"	57-15/16"
Top of door-top of hinge - 4th	N/A	N/A	83-1/4"
Cylindrical Lock top - center line	39-9/16"	43-9/16"	55-9/16"
Mortise Pocket top - center line	39-15/16"	43-15/16"	55-15/16"

**\*\*DOORS NOT MARKED STOCK WILL REQUIRE PRODUCTION - CONTACT YOUR SALES REP FOR INFORMATION**