

A team you can count on



Count, fill and close small-sized products quickly, accurately and safely with the Z-60 from Zellwag Pharmtech and the integrated multicount 60 from Collischan.

Flexible construction

- Multifformat machine for different container sizes and diameters
- Patented counting and dosing principle for tablets, dragées and capsules
- Self-optimizing control of product parameters
- Production output of up to 40 containers/min
- Snap-on and screw-on closures are possible on the same machine
- Interfaces to third-party systems are freely configurable

Compact design

- Toolfree format and product change
- Easy cleaning thanks to good accessibility
- User-friendly operation
- Low operational costs thanks to small footprint

Quality assurance

- IQ / OQ validation package available
- 21 Part 11 compliance upon need
- Complies with the requirements of FDA and cGMP

Reliable object detection

- Novel object detection via camera system
- Reliable counting, also for products which are not clearly separated one by one on the vibration chute
- Dust in the counted material does not affect the optical control
- Simplified parameter setting



Configuration

- Automatic container and closure infeed
- Screw-on or snap-on closures
- In process closure control
- Non-conformity exit

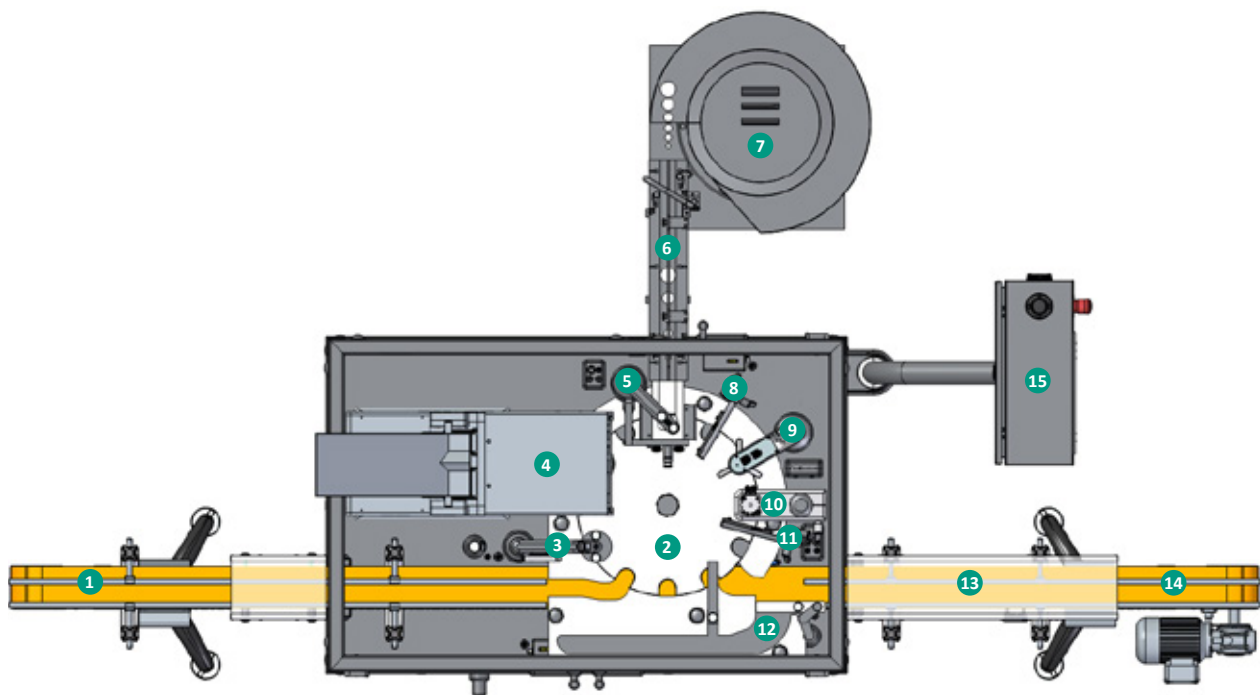
Format range

- Container height: 50 - 125 mm
- Closure height: 10 - 40 mm
- Container diameter: 30 - 75 mm

Technical data

- GMP Design
- 3 x 400 VAC, N, PE, 25 AT
- 6 bar air
- Pneumatics Festo

PROCESS



- | | | | |
|---|-------------------------------|----|----------------------------------|
| 1 | Container infeed | 9 | Screw-on station |
| 2 | Turning star | 10 | Press-on station |
| 3 | Blow out station | 11 | Position control closures |
| 4 | Counting system Multicount 60 | 12 | NIO-area |
| 5 | Closure place station | 13 | Safety housing container outfeed |
| 6 | Closure infeed | 14 | Container outfeed |
| 7 | Vibration bowl closures | 15 | Operating panel with HMI |
| 8 | Presence control closures | | |