



MINIKID

4



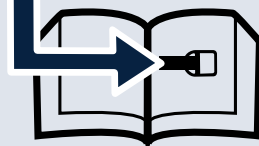
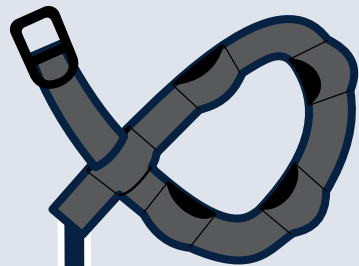
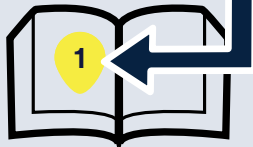
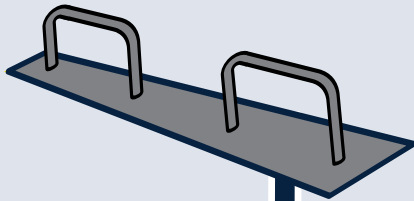
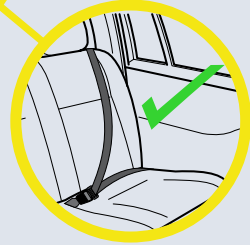
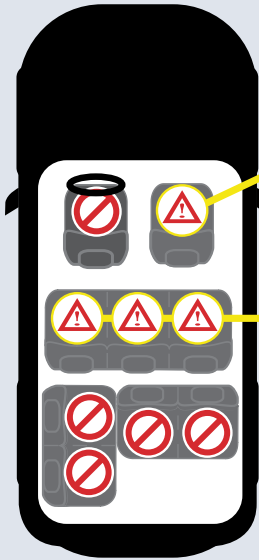
**UN regulation no. 129**

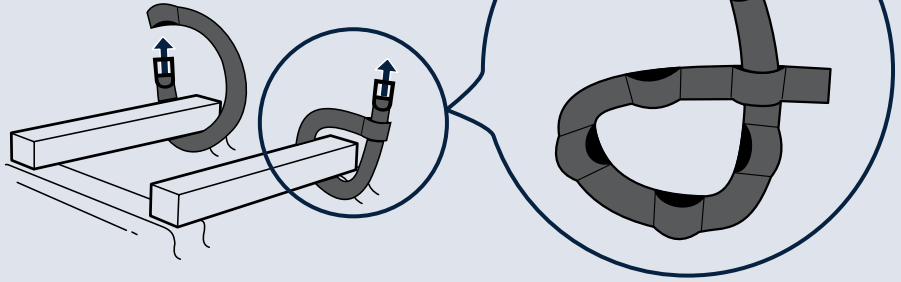
**Instruction Manual**

AXKID MINIKID 4 car seat, 61-125 cm

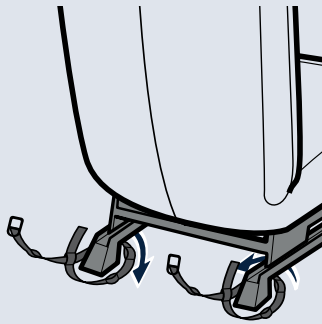


⚠️ AIRBAG		

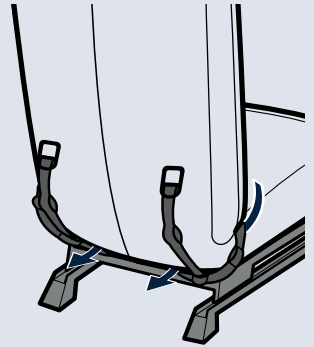




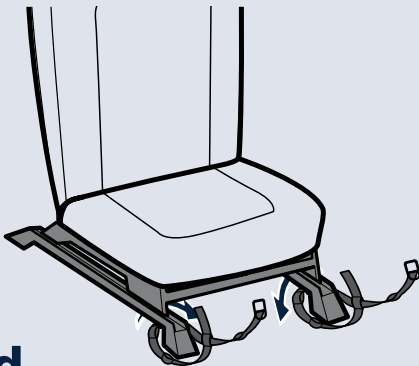
alt. **a**



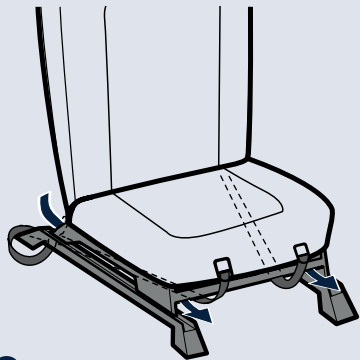
alt. **b**



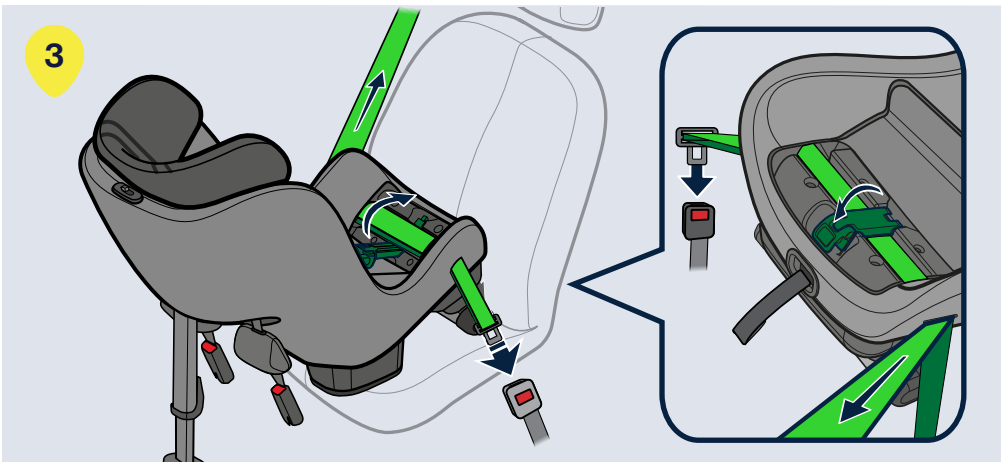
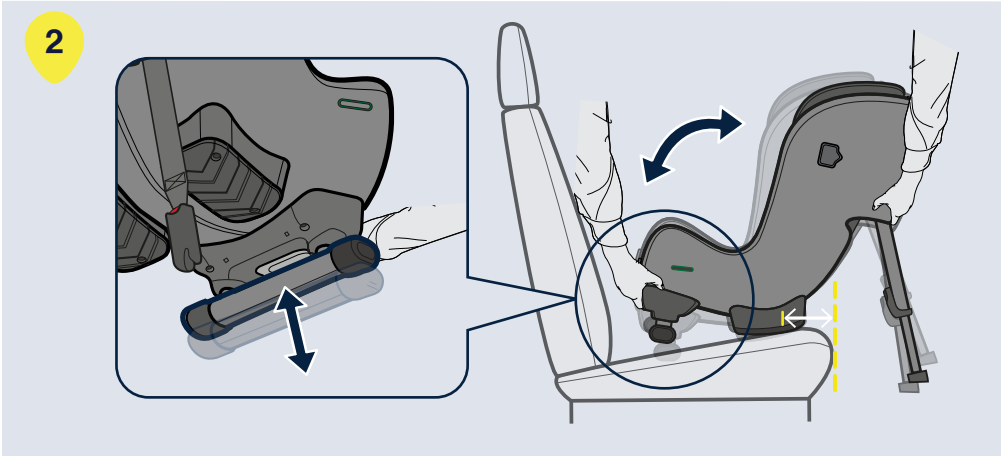
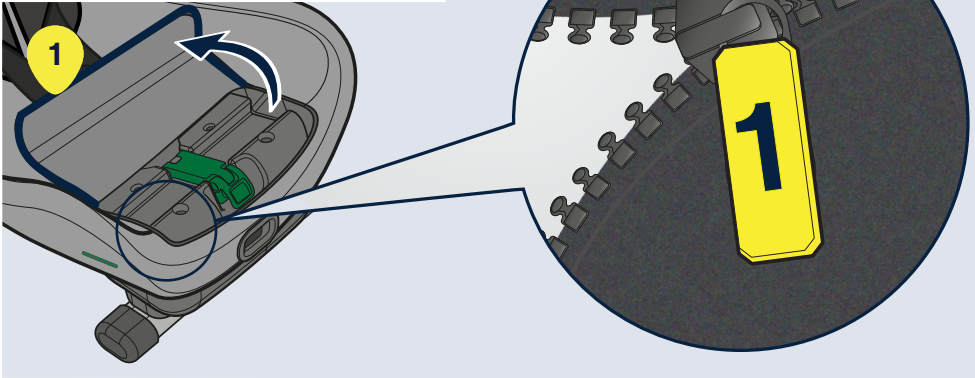
alt. **c**



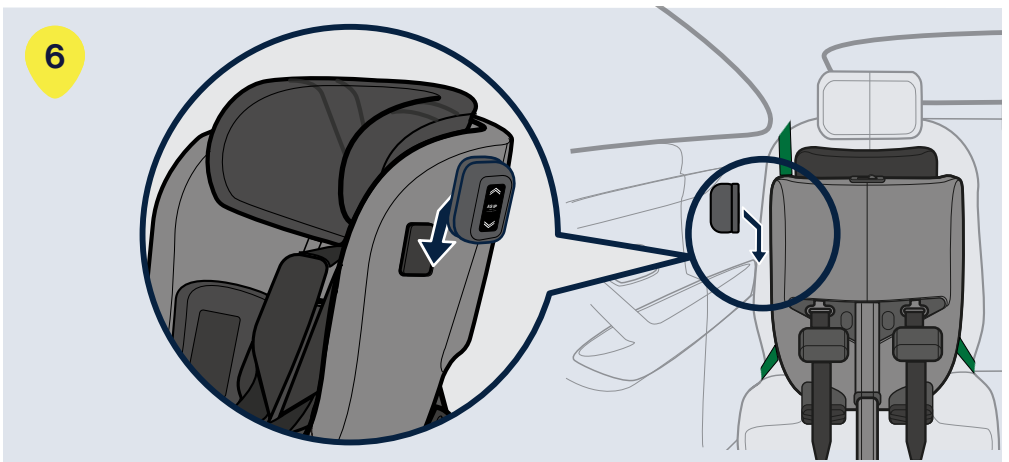
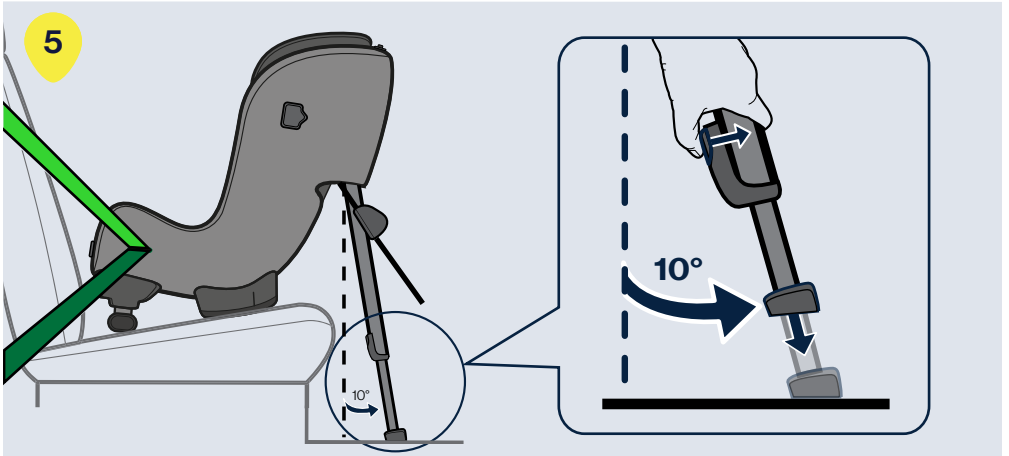
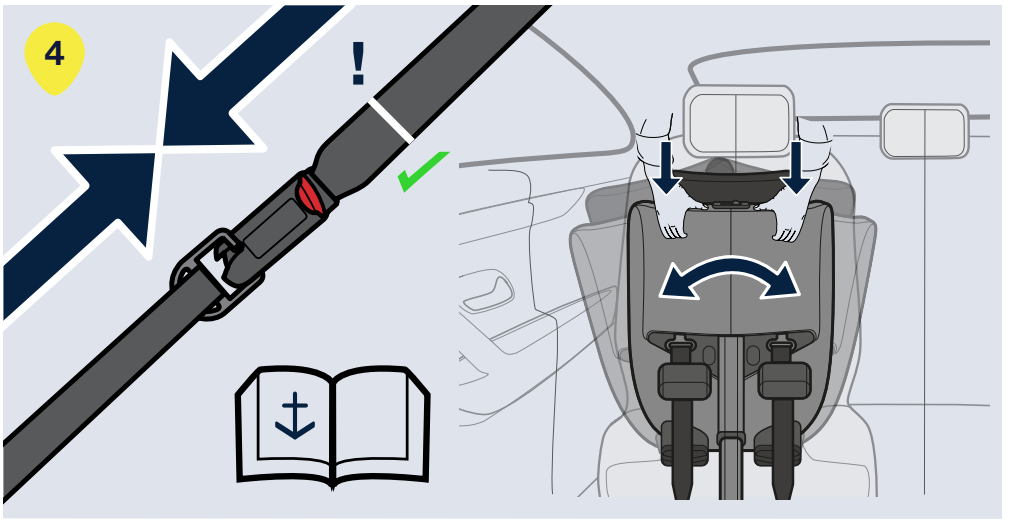
alt. **d**



alt. **e**





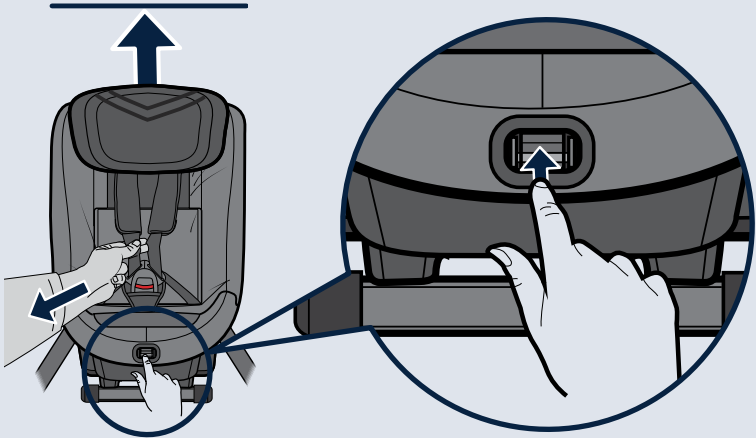




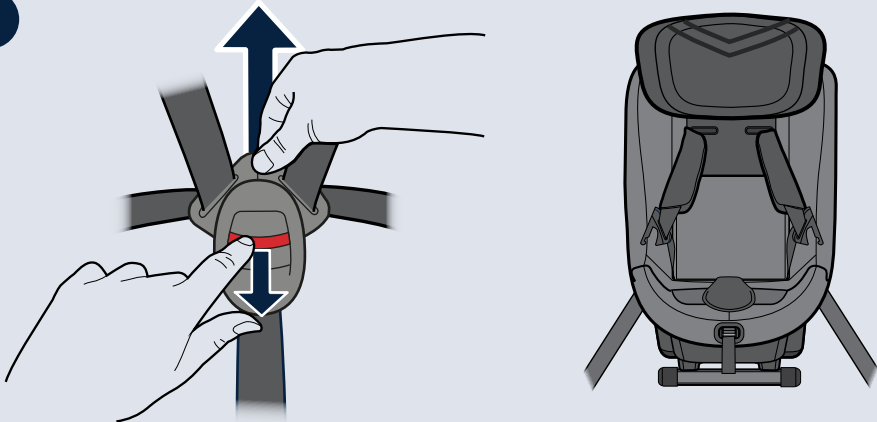
7



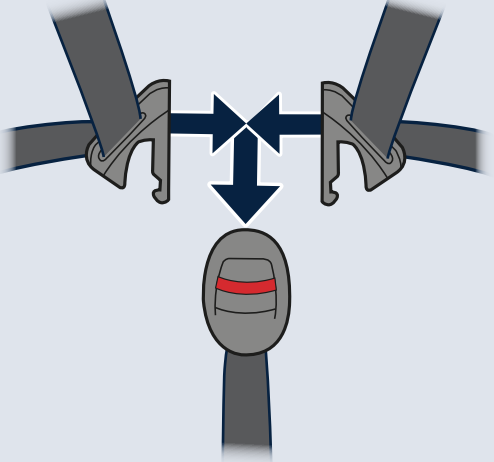
8



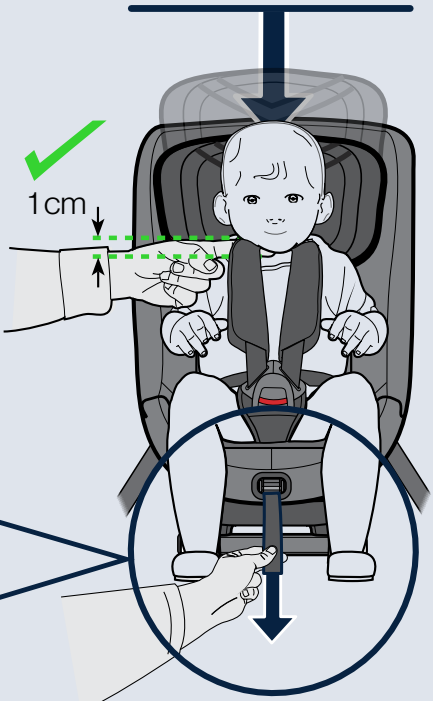
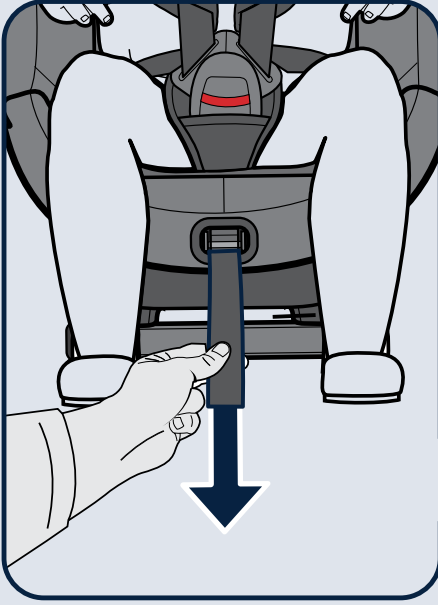
9



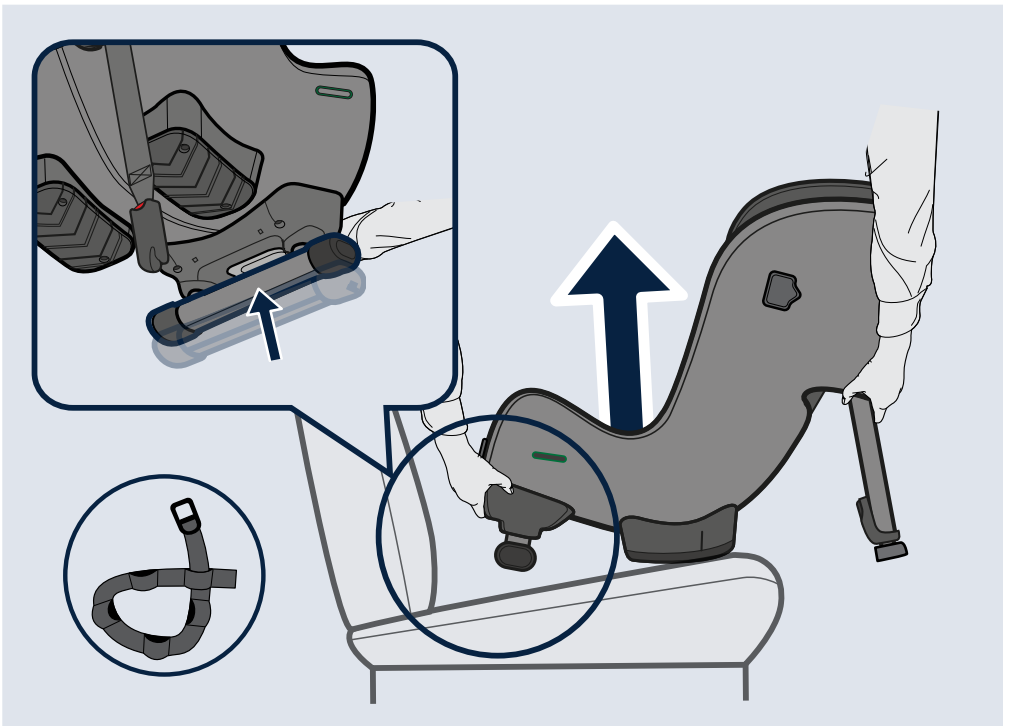
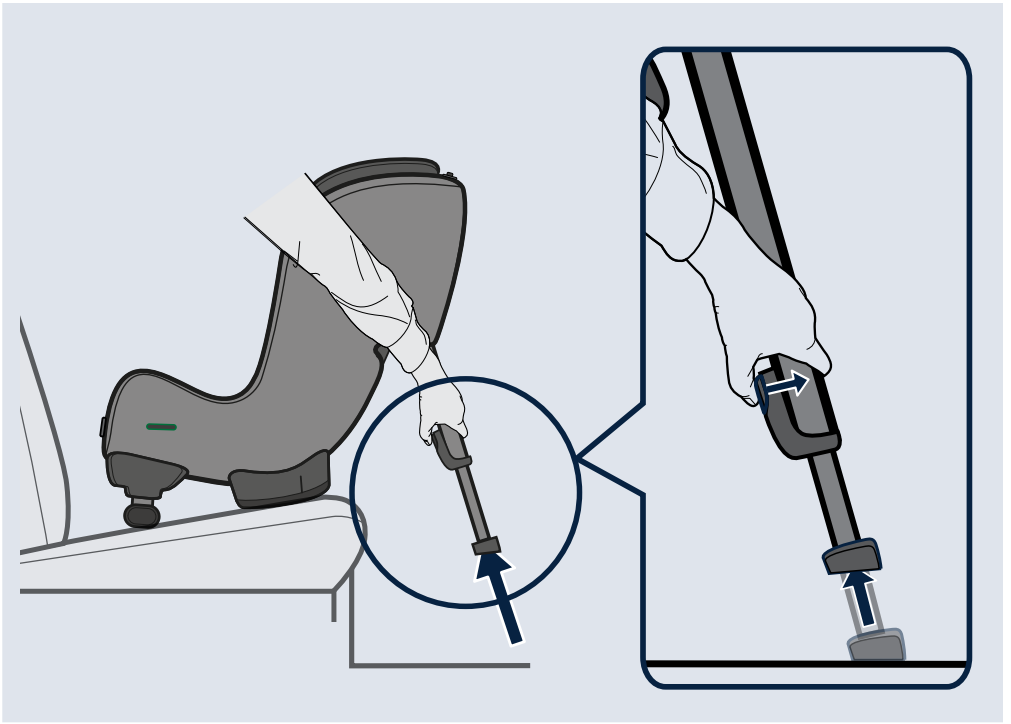
10



11







**Sverige/Norge**

Axkid AB  
www.axkid.com  
info@axkid.com  
Tel: (+46) 511 760 620

**UK/Ireland**

Axkid Ltd  
www.axkid.com  
info@axkid.com  
Tel: (+44) 0781 086 7644

**France**

Axkid AB  
www.axkid.com  
info@axkid.com  
Tel: (+33) 06 07 01 87 73

**Deutschland**

Axkid GmbH  
www.axkid.com  
kundenservice@axkid.com  
Tel: +(49) 60-99 84 89 05

**España/Portugal/Andorra**

WOBABIES  
www.wobabies.com  
contacto@wobabies.com  
Tel: (+34) 916 32 56 46

**Polsce**

Junior Andrzej Kwapinski  
Horbaczewskiego 4-6  
54-130 Wroclaw Dh Astra Sklep  
Poland Tel: +(48) 713 549 723

**Czech Republic**

Domecek pro deti  
www.domecekprodeti.cz  
info@domecekprodeti.cz  
(+42) 0727 981 815

**România**

SC Baby Car seats  
www.axkid.ro  
maria@axkid.ro  
(+40) 0747 35 47 47

**New Zealand**

Clicksafe  
www.clicksafe.co.nz/axkid  
axkid@clicksafe.co.nz  
Tel: (+64) 212 504 215

**Suomi**

Lastentarvike  
www.lastentarvike.fi  
info@lastentarvike.fi  
(+358) 09 852 05 100

**Malaysia**

SafenSound  
www.safensound.com.my  
may@safensound.com.my  
(+60) 358 70 22 84

**Greece Ελλάδα**

**Serbia Србија**  
LETO shop  
www.letoshop.gr  
christos@letoshop.gr  
(+30) 211 102 67 30

**Eesti**

GreenHansa OÜ  
www.beebipood.ee  
riho@beebipood.ee  
(+372) 5300 8000

**Latvia**

Muki  
www.mukilv  
jurgis@mukilv  
(+371) 292 828 98

**Lietuva**

Kotryna Group  
www.kotrynagroup.com  
kotryna@kotryna.lt  
(+370) 521 322 54

**South Africa**

Quality Imports SA & #Carseatfullstop  
www.qualityimportssa.co.za  
qualityimportssa@gmail.com  
(+27) 11 789 7119

**Ísland**

Leiftur  
www.leifturis  
kristmann@leifturis  
(+354) 821 25 37

**Japan**

Chameleon & Co. Inc  
www.chameleonco.jp  
+81(0)3-6265-6974

**Ukraine**

CF ALLIANCE UKRAINE LTD LLC  
www.alliance.com.ua / www.producto.com.ua  
info@alliance.com.ua  
Tel: (+38) 0444660312

**Croatia**

BRILAD d.o.o.  
www.bebastore.hr  
brilad@brilad.hr  
(+385) 91 400 1001

# AXKID

<b>EN</b>	12-21
<b>DE</b>	22-31
<b>ES</b>	32-41
<b>FR</b>	42-51
<b>IT</b>	52-61
<b>NL</b>	62-71
<b>PL</b>	72-81
<b>CS</b>	82-91
<b>SV</b>	92-101
<b>NO</b>	102-111
<b>DA</b>	112-121
<b>FI</b>	122-131
<b>ET</b>	132-141
<b>EL</b>	142-151
<b>IS</b>	152-161
<b>PT</b>	162-171
<b>RO</b>	172-181
<b>AR</b>	182-191
<b>JA</b>	192-201
<b>BG</b>	202-211
<b>TH</b>	212-221
<b>UK</b>	222-231
<b>HR</b>	232-241

# Thank you for choosing AXKID MINIKID 4

Read this instruction manual before installing AXKID MINIKID 4 car seat in your vehicle.  
For more information and installation videos visit [www.axkid.com](http://www.axkid.com).

**AXKID MINIKID 4** is a rear-facing car seat approved for children with a height between 61-125 cm, ≤36 kg

AXKID MINIKID 4 is suitable for use from approximately six months of age, or from when your child can sit up unsupported.

This is an integral Specific vehicle Belted Enhanced Child Restraint System. It is approved according to UN Regulation No. 129, for use in compatible vehicle seating positions as indicated by the vehicle list. If in doubt, consult either the Enhanced Child Restraint System manufacturer ([www.axkid.com](http://www.axkid.com)) or the retailer.

## Important information

To maximize your child's safety, it is important that you keep the following in mind:

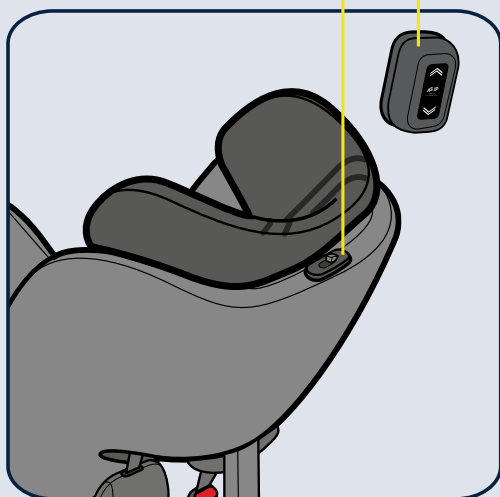
- Always follow the instructions in this manual. An incorrect installation may seriously affect the safety for your child. If in doubt, contact your retailer who can demonstrate a correct installation.
- Keep this instruction manual for future reference. If manual is lost, you can find it online at [www.axkid.com](http://www.axkid.com)
- Do not use AXKID MINIKID 4 car seat in a seating position where an active frontal airbag is fitted. If you still wish to install AXKID MINIKID 4 car seat in this location the airbag must be switched off according to the vehicle manufacturer's instructions.
- Should you have an accident, no matter how small, your car seat should always be replaced. It may have damage that is not visible and could seriously affect the safety of your child. For this reason, Axkid does not recommend purchasing secondhand car seats.
- If AXKID MINIKID 4 car seat has been exposed to direct sunlight, make sure the car seat is not too hot before installing your child.
- Never leave your child unattended in the vehicle.
- Ensure that any luggage or loose objects are secured in your vehicle as they may cause injuries to passengers in the event of an accident.
- Ensure that AXKID MINIKID 4 car seat is installed in a way where no parts become trapped by movable seats, car doors, etc.
- If you are using lower tether anchorage straps, make sure they are installed in a way where they don't interfere with the movement of any vehicle seat.
- AXKID MINIKID 4 car seat may only be installed rear-facing.
- Always make sure that the harness is adjusted to correctly fit your child's body. The harness is adjusted by moving the head support.
- Make sure that the child's back is pushed against the car seat when restraining your child with the harness.
- Always make sure that the harness is firmly tightened against your child and that the buckle is completely locked, you should not be able to pinch the straps.
- Make sure there is no twist in the harness.
- Always make sure the support leg is in its correct position and that it has contact with the vehicle floor. The support leg is a very important safety feature designed to maximise your child's safety in an accident.
- Do not attempt to disassemble or modify any part of the AXKID MINIKID 4 car seat. The warranty and the safety performance of the AXKID MINIKID 4 car seat could be affected if doing so.
- Never use AXKID MINIKID 4 car seat without the textile cover. The seat textile cover is a safety feature and may only be replaced with an Axkid original seat textile cover.
- Read the vehicle handbook and the vehicle list at [www.axkid.com](http://www.axkid.com) to find which seating positions are suitable for this car seat.
- Axkid recommends to always use a seat protection to protect your vehicle seat from scratches and dirt.
- If you have any doubts, contact the retailer where the car seat was purchased or contact [info@axkid.com](mailto:info@axkid.com)



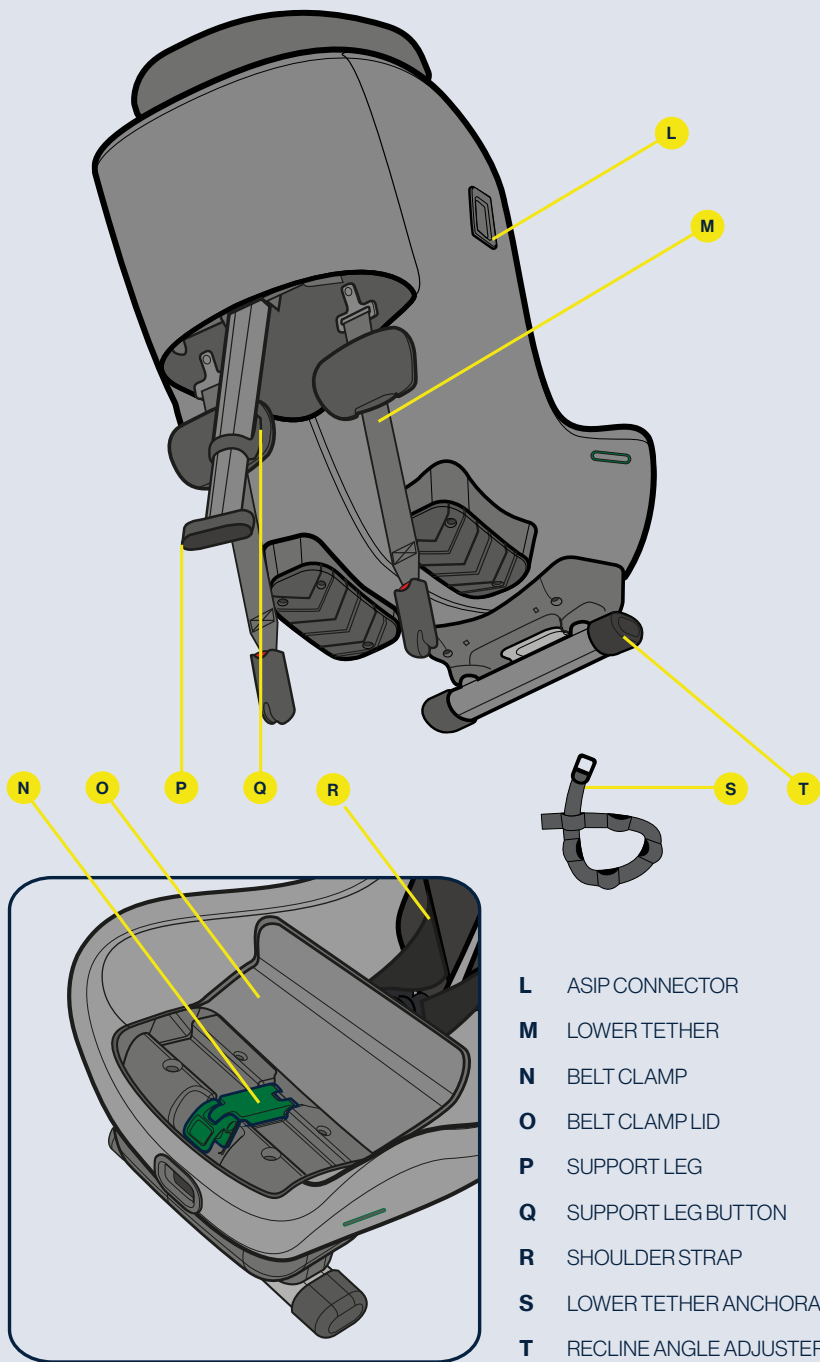
# Table of content

Parts	14
Allowed and disallowed positioning of AXKID MINIKID 4 car seat	16
Lower Tether Anchorages	16
Installing lower tether anchorage straps	17
Installing AXKID MINIKID 4 car seat in the vehicle	18
Restraining your child in AXKID MINIKID 4 car seat	19
Headrest adjustments	20
Removing AXKID MINIKID 4 car seat from the vehicle	20
Care and maintenance	21
Warranty	21

# Parts



- A HEADREST
- B INTEGRAL HARNESS
- C BUCKLE RELEASE BUTTON
- D SEAT BELT SLOT
- E HARNESS RELEASE BUTTON
- F HARNESS TENSION STRAP
- G RECLINE ADJUSTMENT LEVER
- H HEADREST BRAKE LEVER
- I ASIP PAD
- J HEEL
- K VERTICAL LINE

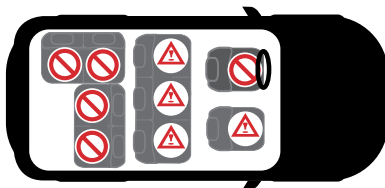




# Allowed and disallowed positioning of AXKID MINIKID 4 car seat

AXKID MINIKID 4 car seat can only be installed rear-facing. It will fit in most, but not all seating positions. Check your vehicle instruction manual to find suitable seating positions and check the vehicle list on [www.axkid.com](http://www.axkid.com)

Front passenger seat (no active airbag)	YES/NO*
Front passenger seat (active airbag)	NO
Rear passenger seat with 3-point seat belt	YES
Seat with 2-point seat belt	NO
Side and rear facing seats	NO



**IMPORTANT:** If you wish to install your AXKID MINIKID 4 car seat in a location where a frontal airbag is fitted, the airbag must be disconnected according to your vehicle manufacturer instruction. Note that some vehicles require an authorized service centre to disconnect the airbag.

\* The General Regulation of Traffic in Spain, in its article 117, establishes the prohibition of driving with children of stature equal to or less than 135 centimetres located in the front seats of the vehicle, without exceptions.



## Lower Tether Anchorages

### Important info

Lower tether anchorages (LTA) are used to enhance the protection of children in cars by providing a firm and stable installation for extended rear-facing belt attached car seats. This increases the safety for your child in all types of collisions, including roll-over accidents and rear-end impacts.

Lower tethers are a well-established method that has been extensively used in the Nordic countries for over 40 years. In 2020 a new international standard for LTA, ISO13216-4:2020, was released. This standard describes the requirements for lower tethers for car seats but also for vehicle manufactures and their anchor points. The purpose is to improve the compatibility and ensuring a safe and easy way of installation for the future.

AXKID MINIKID 4 lower tethers complies with ISO13216-4:2020, ensuring a perfect fit and easy installation in vehicles with pre-installed lower tether anchorages that also complies to this standard. If your vehicle has anchorage points that do not comply with the standard, AXKID MINIKID 4 lower tethers are still likely, but not guaranteed, to fit.

Pre-installed lower tether anchorages in vehicles are often found on the seat rails attached to the floor, but other positions are also used. Check your vehicle's instruction manual for more information on usable anchor points.

If your vehicle has no pre-installed lower tether anchorages, AXKID MINIKID 4 comes with additional lower tether anchorage straps (S) included that can be installed in your vehicle. See this manual for instructions of installation. These straps also comply to ISO13216-4:2020 and when installed correctly, offers the same safety as pre-installed anchorages.

Some vehicle manufactures also offers the possibility of retrofitting lower tether anchorages. Contact your vehicle manufacturer or dealer for more information. Axkid retrofit lower tether anchorages and extra lower tether anchorage straps can be purchased separately.

**Note:** Never use AXKID MINIKID 4 without the lower tethers. They are an important safety feature and must always be used when installing your car seat.

# Installing lower tether anchorage straps

If your vehicle has no suitable pre-installed lower tether anchorages, AXKID MINIKID 4 comes with lower tether anchorage straps that can be installed in your vehicle. Depending on your vehicle and the seat position where you choose to install your car seat, there are various possible anchorage points to use for installing the anchorage straps. See below for alternatives.

To install the lower tether anchorage straps (S), simply route the strap around the chosen anchorage point and thread the metal anchorage through one of the slots on the strap itself. The anchorage strap has several slots to use. Make sure to use the slot as close as possible to the metal anchorage, thus installing the metal anchorage as close to the vehicle floor as possible. Once this is done, pull on the metal anchorage to tighten the strap and repeat the process for the other strap. Always use two anchorage points when installing AXKID MINIKID 4 and choose anchorage points that are separated as this gives a more stable installation.

## Anchorage strap routing options

- alt. **a** Route the strap around the edge of the pre-installed anchorage (use this method only if the pre-installed anchorages do not fit with the lower tethers directly).
- alt. **b** Install the strap around the seat rail in front of the car seat by threading the strap between the seat rail and vehicle floor or through appropriate hole of the seat rail.
- alt. **c** Install the strap around the hinge of the vehicle seat in front of the car seat by threading the strap in between the vehicle seat back and seat cushion.
- alt. **d** Install the strap around the seat rail below the car seat by threading the strap between the seat rail and vehicle floor or through appropriate hole of the seat rail.
- alt. **e** When installing the AXKID MINIKID 4 in a front passenger seat and none of above alternatives is available, it is possible to attach the lower tether anchorage straps to a suitable anchorage point in the back of the vehicle and rout the straps underneath the vehicle seat to the front of the vehicle. Make sure that the anchorage straps comes out from the front of the seat and not out from the sides.

**Note:** Always make sure that changing the position of any vehicle seat does not interfere or damage the installed lower tether anchorage straps.

**Note:** Never use sharp objects to assist in routing the straps as it might damage the strap.



# Installing AXKID MINIKID 4 car seat in the vehicle

Before installing AXKID MINIKID 4, make sure you have lower tether anchorages in your vehicle. See section about lower tether anchorages in this manual for more information and installation instructions.

1

Unzip the zipper and open the belt clamp lid (O).

2

Place the AXKID MINIKID 4 on the vehicle seat with the back of the car seat facing the front of the vehicle. Adjust the legroom for your child by simply moving the car seat back and forth on the vehicle seat. AXKID MINIKID 4 can be installed tight against the vehicle seat back but may never be installed with the heel (J) hanging over the edge of the vehicle seat. Make sure that the vertical line (K) on the heel (J) never crosses the edge of the vehicle seat.

Adjust the angle of the car seat by pressing the recline adjustment lever (G) and select a suitable recline position. For maximum safety, choose a position as upright as possible while also ensuring that your child's head does not fall forward when sleeping. For both comfort and safety reasons, the recline angle should be adjusted to a more upright position as your child grows. Note that when tensioning the lower tethers (M), the car seat will be slightly more reclined as it sinks into the vehicle seat cushion. When installing AXKID MINIKID 4 in a front passenger seat it is possible, but not necessary, for the back of the car seat to have contact with the dashboard.

3

Open the belt clamp (N). Pull out an arm length of the vehicle seat belt and thread it through the seat belt slot (D) closest to you. Route the belt through the belt clamp (N) and thread it through the seat belt slot (D) on the opposite side. Connect the vehicle seat belt with the seat belt buckle and pull hard on the shoulder part of the vehicle seat belt to remove all slack and to fasten the car seat, the harder you pull the firmer the installation. When the car seat is firmly fastened, close the belt clamp (N) and lock the vehicle seat belt in position. Make sure that both the shoulder and lap belt is locked together in the belt clamp (N). Close the belt clamp lid (O) and close the zipper. To give an even more firm and stable installation, press down on the car seat while pulling the shoulder belt.

4

Pull out the lower tethers (M) from the car seat and connect them to the lower tether anchorages in your vehicle, see section about lower tether anchorages in this manual for more information. Press down on the top of the car seat and wiggle the car seat from side to side and the AXKID MINIKID 4 self-tensioning lower tethers (M) will automatically be tensioned. By tensioning the lower tethers (M) you also set the final recline angle of the car seat. Keep pushing on the car seat until it is firmly fastened, and you have achieved a suitable recline angle. Check that the white marking on the lower tether belt is visible. If not, the lower tether anchorages are too close to the car seat and needs to be adjusted. If this is not possible, you can also cross the lower tethers behind the seat to get a bit more distance.

5

Pull out the support leg (P) from the car seat. Push the support leg button (Q) and pull the support leg (P) downwards until it is in contact with the vehicle floor. Let go of the support leg button (Q) and lift the car seat upwards to further extend the support leg (P) until you hear a click. The support leg (P) should now be locked and firmly pressed against the vehicle floor. Make sure that the support leg (P) is angled about 10° towards the front of the vehicle. Check the vehicle seat belt again to make sure that it is still firmly tensioned and that no slack has occurred in the hip belt while tensioning the lower tethers and support leg. If the vehicle belt has lost some tension, simply re-tension it by repeating step 2 of this guide without disconnecting the lower tethers.

6

Push the ASIP pad (I) into the slots on the ASIP connector (L) and slide downwards, the ASIP pad (I) will click into place. If there is a plastic cover on the ASIP connector (L), remove it and place it on the ASIP connector (L) on the opposite side of the seat before fitting the ASIP pad (I). Make sure the ASIP pad (I) is attached on the side of the AXKID MINIKID 4 car seat that is closest to the vehicle door.



# Restraining your child in AXKID MINIKID 4 car seat

Before restraining your child in the AXKID MINIKID 4 car seat, make sure you have the correct inlay installed in the seat. AXKID MINIKID 4 is designed to grow with your child and to ensure a comfortable and safe fit for the children. Axkid recommends using the inlay until it is too tight for your child, but to a minimum length according to table below (note that the age is just an indication):

Age	Height	
Toddler 0-3 years	61–105 cm	
Child 3-7 years	106–125 cm	

The AXKID MINIKID 4 is equipped with an automatic headrest (A) that will lower itself to the correct position when the harness is being tightened. To ensure the best fit, Axkid recommends using this feature every time you restrain your child. Before placing your child in the car seat, ensure that the automatic headrest (A) is in the unlocked position. See section headrest (A) adjustment for more information.

**7**

Make sure the Headrest brake lever (H) is set to unlocked. If locked, push the lever over to the unlocked position.

**8**

Loosen the harness by pressing the harness release button (E) and pull out both shoulder straps (R) at the same time. Avoid pulling only one strap at the time since it may cause the shoulder straps (R) to become uneven. Make sure the headrest (A) is pushed up to the top position.

**9**

Unlock the harness buckle by pressing the buckle release button (C) and place the straps outside of the seat.

**10**

Place your child in the seat and place the shoulder straps (R) over your child's shoulder. Lock the harness by first positioning the parts of the buckle that is attached to the shoulder straps (R) together and then push them into the buckle until you hear a click.

**11**

Pull on the shoulder straps (R) to tighten the harness over your child's hips. While keeping tension in the shoulder straps (R), pull the harness tension strap (F) straight from the car seat until the harness is tightened enough, you should not be able to fit more than one finger between the shoulder straps (R) and your child's shoulders. While tensioning the harness, the headrest (A) will automatically move downwards to the correct position for your child.



# Headrest Adjustment

The AXKID MINIKID 4 is equipped with an automatic headrest (A) that will ensure the headrest (A) always is in the best position for your child. When the harness is being tightened, the headrest (A) will lower itself to the correct height and automatically lock in position. When loosening the harness, the headrest (A) will move back up to its top position again and unlock. To ensure the best fit, Axkid recommends using this feature every time you restrain your child.

The headrest (A) only unlocks in its top position. It is therefore important to ensure that the headrest (A) moves all the way to the top position when loosening the harness, otherwise the headrest (A) will stay locked and will not move down when tensioning the harness.

If you want to deactivate the automatic adjustment feature and keep the headrest (A) in a fixed position, place the headrest (A) in the desired position and switch the headrest brake lever (H) to the locked position. The headrest (A) is now locked in height and will not move until you switch back the headrest brake lever (H) to the unlocked position again.

When using your AXKID MINIKID 4 with the headrest (A) in a fixed position, ensure the headrest (A) is positioned in the correct height for your child. Check that the shoulder straps (R) are going through the seat straight from your child's shoulders or maximum 1 cm above. If not, adjust the headrest (A) by switching the headrest brake lever (H) to unlocked position and push the headrest (A) to the top position to unlock it and then repeat the procedure.



# Removing AXKID MINIKID 4 car seat from the vehicle

- Unzip the zipper and open the belt clamp lid (O). Unlock the vehicle seat belt by pressing the red button on the seat belt buckle. Open the belt clamp (N) and pull the vehicle seat belt and guide it through the seat belt slots (D) to remove it from the car seat.
- Unlock the lower tethers (M) by holding on to the connectors with your hand and pressing on the red button with your thumb. While keeping the connector in your hand, slowly feed it back to the car seat. Be careful not to let go of the lower tether connector, as it will retract back automatically with high speed.
- Push the support leg button (Q) and collapse the support leg (P) to its shortest position.
- Press the recline adjustment lever (G) and push in the recline angle adjuster (T) to its shortest position. Lift the AXKID MINIKID 4 out of the vehicle.

**Tip:** Lock the harness buckle and tension the harness before removing the car seat from the vehicle. You can then use the shoulder straps (R) as a carrying handle, making it easier to lift out the car seat and transporting it outside of the vehicle.

**Important:** Never carry the car seat by holding in the headrest (A).

## Recycling your car seat



Axkid strongly recommends recycling of old car seats. Before leaving the seat at your local recycling station cut off the harness straps from the seat, remove the textile cover, remove as many Styrofoam parts as possible, separate metal and plastic parts if possible. The main part of the seat should be marked unsafe or expired (use a marker) to deter anyone from using it again. Please check your local municipal guidelines for recycling instructions for the different materials.



# Care and maintenance

The seat textile cover can be machine washed at 30° C on a gentle cycle. Do not put the cover in a dryer as this can damage the cover and the padding may separate from the fabric. Visit [www.axkid.com](http://www.axkid.com) to find videos explaining how to remove and attach the cover.

If the textile seat cover needs replacing, ensure only original products from Axkid are used. If other products are used, AXKID MINIKID 4 car seat's safety system may be compromised and could lead to severe injury in case of an accident. Any plastic parts of AXKID MINIKID 4 car seat can be cleaned with mild detergent and water. Do not use aggressive chemicals containing solvents or similar, as this can cause damage to the plastic and compromise the safety of the car seat.

## Remove the textile cover:

- Remove the ASIP pad (I) if attached.
- Set the automatic headrest brake lever (H) to the unlocked position and loosen the harness by pressing the harness release button (E) and pull out both shoulder straps (R) at the same time.
- Unzip the two zippers on the underside of the headrest (A) and carefully pull the cover off from the headrest (A).
- Lower the headrest (A) to the lowest position and switch the automatic headrest brake lever (H) to the locked position.
- Unlock the harness buckle by pressing the buckle release button (C) and remove the buckle cover.
- Unzip the zipper and open the belt clamp lid (O) and remove the plastic lid (O) from the textile cover.
- Unzip the zipper underneath the car seat and open the 4 buttons on the textile cover on the backside of the car seat.
- Unzip the two zippers at the backrest on the inside of the car seat and gently remove the textile cover from the car seat. Be careful around the ASIP pad and other plastic covers to avoid damaging the textile. Don't pull too hard.
- Open the shoulder pads and gently remove them from the Velcro.

## Install the textile cover:

- Reverse the steps from the instruction above to install the textile cover on the car seat again.

**Note:** The shoulder pads can be installed at different positions. Install them in a position suitable for your child, the shoulder pads should be positioned on top of the shoulder and on the chest of your child. Also make sure that the rubber side of the shoulder pad is facing your child's chest.

# Warranty

AXKID MINIKID 4 car seat is covered by a 24-month warranty from date of purchase. Ensure you save your receipt and bring it to your place of purchase if you have any warranty issues.

The warranty does not cover:

- Normal wear and tear.
- Damage due to incorrect use, neglect, or accident.
- If repairs have been carried out by a third party.
- All materials used have a very high UV-resistance rating. However, UV-light is very aggressive and will ultimately lead to fading of the seat cover. This is not covered by our warranty as it is considered normal wear and tear.
- Handle the seat with care. Never carry the seat by holding in the headrest (A).

# Vielen Dank, dass Sie sich für den AXKID MINIKID 4 entschieden haben

Lesen Sie diese Bedienungsanleitung bitte vor dem Einbau des AXKID MINIKID 4 Kindersitzes durch. Ausführlichere Informationen und Installationsvideos finden Sie auf [www.axkid.com](http://www.axkid.com).

Der **AXKID MINIKID 4** ist ein rückwärtsgerichteter Kindersitz, der für Kinder mit einer Körpergröße zwischen 61 und 125 cm zugelassen ist,  $\leq 36$  kg

Der AXKID MINIKID 4 ist ab einem Alter von etwa sechs Monaten geeignet, oder ab dem Zeitpunkt, ab dem Ihr Kind ohne Unterstützung sitzen kann.

Dies ist ein integriertes, fahrzeugspezifisches und mit einem Gurt befestigtes erweitertes Kinderrückhaltesystem. Es ist gemäß UN-Verordnung Nr. 129 für den Einsatz in kompatiblen Fahrzeugsitzpositionen gemäß der Fahrzeugliste zugelassen. Im Zweifelsfall wenden Sie sich entweder an den Hersteller des erweiterten Kinderrückhaltesystems ([www.axkid.com](http://www.axkid.com)) oder an den Händler.

## Wichtige Informationen

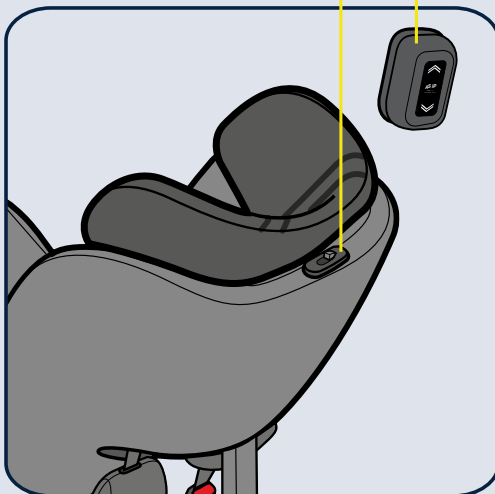
Um Ihrem Kind größtmögliche Sicherheit zu bieten, sollten Sie Folgendes beachten:

- Befolgen Sie stets die Anweisungen in diesem Handbuch. Eine fehlerhafte Installation kann die Sicherheit Ihres Kindes ernsthaft beeinträchtigen. Im Zweifelsfall wenden Sie sich bitte an Ihren Händler, der Ihnen die korrekte Installation vorführen kann.
- Bewahren Sie diese Gebrauchsanweisung für ein späteres Nachschlagen auf. Bei Verlust des Handbuchs finden Sie es online unter [www.axkid.com](http://www.axkid.com)
- Verwenden Sie den AXKID MINIKID 4 Kindersitz nicht auf einem Sitzplatz mit aktivem Frontairbag. Wenn Sie den AXKID MINIKID 4 Kindersitz dennoch an einem solchen Sitzplatz installieren möchten, muss der Airbag nach den Anweisungen des Fahrzeugherstellers deaktiviert werden.
- Ersetzen Sie Ihren Kindersitz nach jedem noch so kleinen Unfall. Er kann Schäden aufweisen, die nicht sichtbar sind und die Sicherheit Ihres Kindes ernsthaft beeinträchtigen können. Aus diesem Grund rät Axkid vom Kauf von gebrauchten Kindersitzen ab.
- Wenn der AXKID MINIKID 4 Kindersitz direkter Sonneneinstrahlung ausgesetzt war, vergewissern Sie sich, dass der Kindersitz nicht zu heiß ist, bevor Sie Ihr Kind hineinsetzen.
- Lassen Sie Ihr Kind niemals unbeaufsichtigt im Auto zurück.
- Stellen Sie sicher, dass Gepäck oder lose Gegenstände in Ihrem Fahrzeug gesichert sind, da sie bei einem Unfall die Fahrzeuginsassen verletzen können.
- Stellen Sie sicher, dass der AXKID MINIKID 4 Kindersitz so installiert ist, dass keine Teile durch bewegliche Sitze, Autotüren usw. eingeklemmt werden.
- Wenn Sie Spanngurte verwenden, stellen Sie sicher, dass diese so angebracht sind, dass sie die Bewegung der Fahrzeugsitze nicht behindern.
- Der AXKID MINIKID 4 Kindersitz darf ausschließlich rückwärtsgerichtet installiert werden.
- Achten Sie stets darauf, dass der integrierte Sicherheitsgurt so festgezogen ist, dass er eng am Körper Ihres Kindes sitzt. Der Gurt wird durch Verschieben der Kopfstütze verstellt.
- Achten Sie darauf, dass der Rücken des Kindes fest im Kindersitz ist, wenn Sie Ihr Kind mit dem integrierten Sicherheitsgurt anschnallen.
- Achten Sie immer darauf, dass der integrierte Sicherheitsgurt eng an Ihrem Kind anliegt und das Schloss vollständig verriegelt ist; die Gurte sollten sich nicht mehr mit Daumen und Zeigefinger zusammenkneifen lassen.
- Stellen Sie sicher, dass der integrierte Sicherheitsgurt nicht verdreht ist.
- Stellen Sie sicher, dass sich der Stützfuß in der richtigen Position befindet und den Fahrzeugboden berührt. Der Stützfuß ist ein sehr wichtiger Bestandteil des Kindersitzes, um die Sicherheit Ihres Kindes bei einem Unfall zu maximieren.
- Versuchen Sie keinesfalls, Teile des AXKID MINIKID 4 Kindersitzes abzubauen oder zu verändern. Dies könnte die Gewährleistung und die Sicherheitsleistung des Axkid Kindersitzes beeinträchtigen.
- Verwenden Sie den AXKID MINIKID 4 Kindersitz niemals ohne den Sitzbezug. Der passgenaue Bezug des Sitzes dient der Sicherheit und darf nur durch einen original Axkid Bezug für Kindersitze ersetzt werden.
- Lesen Sie Ihr Fahrzeughandbuch und die Fahrzeugliste auf [www.axkid.com](http://www.axkid.com), um herauszufinden, welcher Platz im Fahrzeug für diesen Kindersitz geeignet sind
- Axkid empfiehlt, immer einen Sitzschutz zu verwenden, damit Ihr Fahrzeugsitz vor Kratzern und Schmutz geschützt ist.
- Bei Fragen wenden Sie sich an den Händler, bei dem der Kindersitz gekauft wurde, oder an [info@axkid.com](mailto:info@axkid.com)

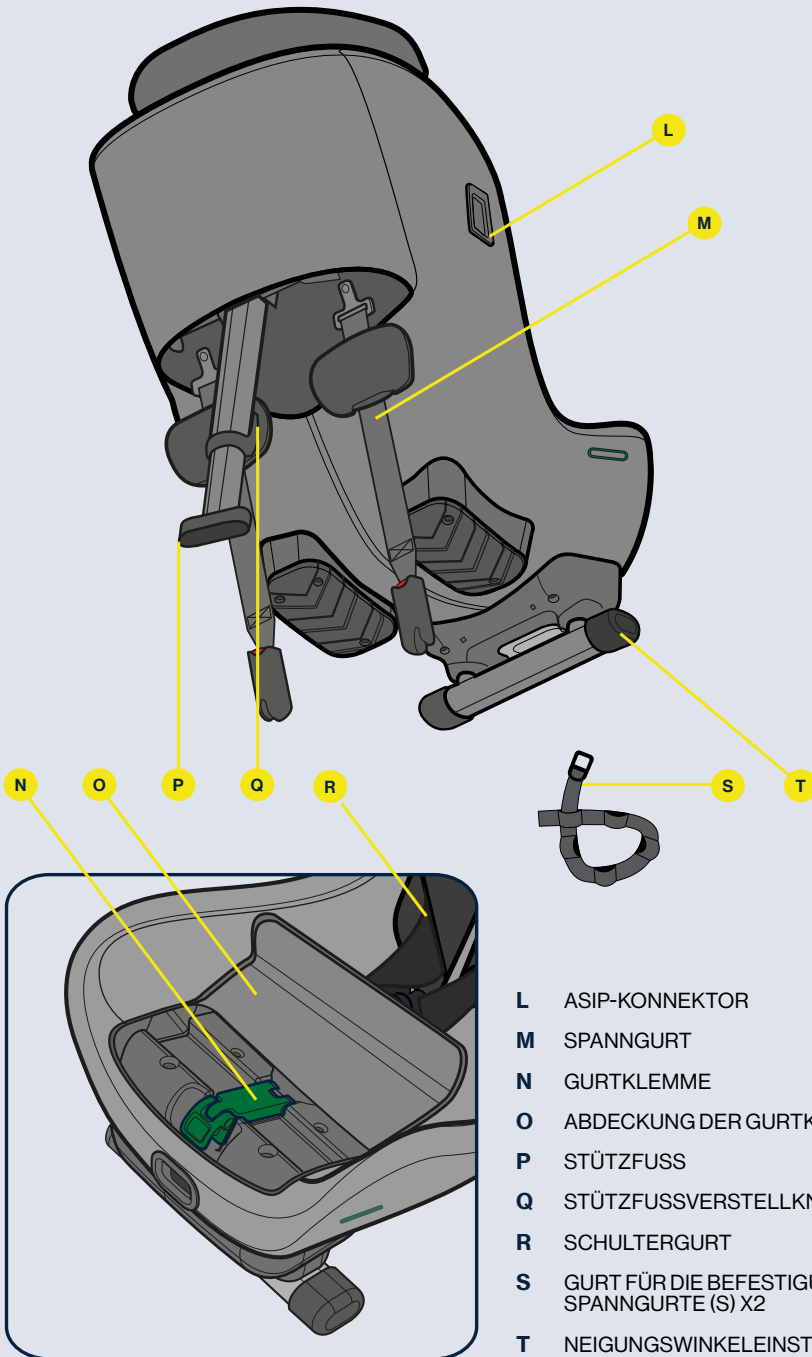
# Inhaltsverzeichnis

Komponenten	24
Zulässige und unzulässige Positionierung des AXKID MINIKID 4 Kindersitzes	26
Untere Befestigungspunkte	26
Anbringen der Spanngurte	27
Anschnallen des Kinds im AXKID MINIKID 4 Kindersitz	29
Einstellung der Kopfstütze	30
Ausbau des AXKID MINIKID 4 Kindersitzes aus dem Fahrzeug	30
Pflege und Instandhaltung	31
Garantie	31

# Komponenten



- A** KOPFSTÜTZE
- B** INTEGRIERTER SICHERHEITSGURT
- C** KNOPF ZUM ÖFFNEN DES GURTSCHLOSSES
- D** SCHLITZ FÜR SICHERHEITSGURT
- E** AUSLÖSEKNOPF FÜR DEN INTEGRIERTEN SICHERHEITSGURT
- F** GURTSTRAFFER
- G** HEBEL FÜR DIE EINSTELLUNG DES NEIGUNGSWINKELS
- H** BREMSHEBEL DER KOPFSTÜTZE
- I** ASIP
- J** ABSATZ
- K** VERTIKALE LINIE

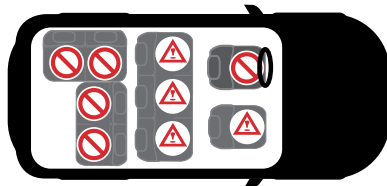




# Zulässige und unzulässige Positionierung des AXKID MINIKID 4 Kindersitzes

Der AXKID MINIKID 4 Kindersitz darf ausschließlich rückwärtsgerichtet installiert werden. Er passt auf den meisten, aber nicht auf allen Sitzplätzen. Informieren Sie sich in der Bedienungsanleitung Ihres Fahrzeugs über geeignete Sitzpositionen und beachten Sie die Fahrzeugliste auf [www.axkid.com](http://www.axkid.com)

Beifahrersitz (kein aktiver Airbag)	JA/NEIN*
Beifahrersitz (aktiver Airbag)	NEIN
Rücksitz mit Dreipunkt-Sicherheitsgurt	JA
Sitz mit Zweipunkt-Sicherheitsgurt	NEIN
Seit- und rückwärtsgerichtete Sitze	NEIN



**WICHTIG:** Wenn Sie Ihren AXKID MINIKID 4 Kindersitz auf einem Sitzplatz mit Frontairbag installieren möchten, muss der Airbag gemäß den Anweisungen des Fahrzeugherstellers deaktiviert werden. Beachten Sie, dass bei einigen Fahrzeugen die Deaktivierung des Airbags nur über ein autorisiertes Servicecenter erfolgen kann.

\* Gemäß Artikel 117 der Allgemeinen Straßenverkehrsordnung in Spanien ist das Mitfahren von Kindern mit einer Körpergröße von 135 cm oder kleiner auf dem Vordersitz eines Fahrzeugs ausnahmslos untersagt.



## Untere Befestigungspunkte

### Wichtige Info

Spanngurte nach vorne werden verwendet, um den Schutz von Kindern in Autos zu verbessern, indem sie einen festen und stabilen Einbau für gegurtete, rückwärtsgerichtete Kindersitze ermöglichen. Diese Befestigung erhöht die Sicherheit Ihres Kind bei allen Arten von Kollisionen, einschließlich Überschlag- und Auffahrunfällen.

Spanngurte nach vorne sind eine gängige Methode, die in den nordischen Ländern seit über 40 Jahren zum Einsatz kommt. Im Jahr 2020 wurde ein neuer internationaler Standard für Befestigungspunkte von Spanngurten nach vorne veröffentlicht: ISO13216-4:2020. Diese Norm beschreibt die Anforderungen an Spanngurte für Kindersitze sowie an Fahrzeughersteller und deren Befestigungspunkte. Ziel ist es, künftig die Kompatibilität zu verbessern und eine sichere und einfache Installation zu gewährleisten.

Die Spanngurte des AXKID MINIKID 4 entsprechen der Norm ISO13216-4:2020 und gewährleisten eine passgenaue und einfache Installation in Fahrzeugen mit vorinstallierten unteren Befestigungspunkten, die ebenfalls dieser Norm entsprechen. Wenn die Befestigungspunkte Ihres Fahrzeugs nicht dieser Norm entsprechen, werden Spanngurte des AXKID MINIKID 4 wahrscheinlich dennoch passen; allerdings kann dies nicht garantiert werden.

Vorinstallierte untere Befestigungspunkte in Fahrzeugen befinden sich häufig an den am Boden befestigten Sitzschienen, aber auch andere Positionen sind möglich. Weitere Informationen zu verwendbaren Befestigungspunkten finden Sie in der Bedienungsanleitung Ihres Fahrzeugs. Wenn Ihr Fahrzeug nicht über untere Befestigungspunkte verfügt, können Sie die zusätzlichen Gurte für die untere Befestigung (S) verwenden, die im Lieferumfang des AXKID MINIKID 4 enthalten sind. Die Installationsanleitung finden Sie in diesem Handbuch. Diese Gurte entsprechen ebenfalls der Norm ISO13216-4:2020 und bieten bei korrekter Installation die gleiche Sicherheit wie vorinstallierte Befestigungspunkte.

Einige Fahrzeughersteller bieten auch die Möglichkeit, untere Befestigungspunkte nachzurüsten. Weitere Informationen erhalten Sie von Ihrem Fahrzeughersteller oder Händler. Die nachrüstbaren unteren Befestigungspunkte und die zusätzlichen Gurte für die untere Befestigung von Axkid können separat erworben werden.

**Hinweis:** Verwenden Sie den AXKID MINIKID 4 niemals ohne die Spanngurte nach vorn. Sie sind ein wichtiges Sicherheitsmerkmal und müssen bei der Installation Ihres Kindersitzes stets verwendet werden.

# Anbringen der Spanngurte

Wenn Ihr Fahrzeug nicht über geeignete vorinstallierte untere Befestigungspunkte verfügt, können Sie die Gurte für die untere Befestigung verwenden, die im Lieferumfang des AXKID MINIKID 4 enthalten sind. Je nach Fahrzeug und der Sitzposition, in der Sie Ihren Kindersitz installieren möchten, gibt es verschiedene mögliche Befestigungspunkte für das Anbringen der Gurte. Die entsprechenden Alternativen finden Sie unten.

Um die Gurte für die untere Befestigung (S) zu installieren, führen Sie den Gurt einfach um den gewählten Befestigungspunkt und führen die Metallverankerung durch einen der Schlitze am Gurt. Der Befestigungsgurt besitzt mehrere Schlitze, die verwendet werden können. Achten Sie darauf, den Schlitz zu verwenden, der der Metallverankerung am nächsten ist, um die Metallverankerung so nah wie möglich am Fahrzeugboden zu installieren. Ziehen Sie anschließend an der Metallverankerung, um den Gurt zu straffen, und wiederholen Sie den Vorgang für den anderen Gurt. Verwenden Sie beim Einbau des AXKID MINIKID 4 immer zwei Befestigungspunkte, die darüber hinaus voneinander getrennt sein sollten, da dies eine stabilere Installation ermöglicht.

## Optionen für die Führung des Befestigungsgurts

**Alt. a** Führen Sie den Gurt um die Kante des vorinstallierten Befestigungspunkts (verwenden Sie diese Methode nur, wenn die vorinstallierten Befestigungspunkte nicht direkt mit den unteren Haltegurten zusammenpassen)

**Alt. b** Bringen Sie den Gurt um die Sitzschiene vor dem Kindersitz herum an, indem Sie den Gurt zwischen der Sitzschiene und dem Fahrzeugboden hindurch oder durch ein geeignetes Loch der Sitzschiene führen.

**Alt. c** Bringen Sie den Gurt um das Sitzgelenk des Fahrzeugsitzes vor dem Kindersitz herum an, indem Sie den Gurt zwischen der Rückenlehne des Fahrzeugsitzes und dem Sitzpolster hindurch führen.

**Alt. d** Bringen Sie den Gurt um die Sitzschiene unter dem Kindersitz herum an, indem Sie den Gurt zwischen der Sitzschiene und dem Fahrzeugboden hindurch oder durch ein geeignetes Loch der Sitzschiene führen.

**Alt. e** Wenn der AXKID MINIKID 4 auf einem Beifahrersitz montiert wird und keine der oben genannten Alternativen möglich ist, können Sie die Gurte für die untere Befestigung an einem geeigneten Befestigungspunkt im Heck des Fahrzeugs befestigen und die Gurte unter dem Fahrzeugsitz zum vorderen Fahrzeugbereich führen. Achten Sie darauf, dass die Befestigungsgurte an der Vorderseite des Sitzes und nicht an den Seiten zum Vorschein kommen.

**Hinweis:** Vergewissern Sie sich stets, dass eine Änderung einer Fahrzeugsitzposition die angebrachten Gurte für die untere Befestigung nicht beeinträchtigt oder beschädigt

**Hinweis:** Verwenden Sie niemals scharfe Gegenstände zum Anbringen der Gurte, da dies den Gurt beschädigen könnte.



# Einbau des AXKID MINIKID 4 Kindersitzes in das Fahrzeug

Stellen Sie vor der Installation des AXKID MINIKID 4 sicher, dass Ihr Fahrzeug über untere Befestigungspunkte verfügt. Weitere Informationen und Installationsanweisungen finden Sie im Abschnitt über untere Befestigungspunkte in diesem Handbuch.

1

Öffnen Sie den Reißverschluss und öffnen Sie die Abdeckung der Gurtklemme (O).

2

Platzieren Sie den AXKID MINIKID 4 auf dem Fahrzeugsitz, mit der Rückseite des Kindersitzes zur Fahrzeugvorderseite. Passen Sie die Beinfreiheit Ihres Kindes an, indem Sie den Kindersitz einfach auf dem Fahrzeugsitz vor- und zurückbewegen. Der AXKID MINIKID 4 kann eng an der Fahrzeugsitzlehne installiert werden, darf jedoch niemals so installiert werden, dass der Absatz (J) über die Kante des Fahrzeugsitzes hängt. Achten Sie darauf, dass die vertikale Linie (K) am Absatz (J) niemals über die Kante des Fahrzeugsitzes kreuzt.

Stellen Sie den Sitzwinkel des Kindersitzes ein, indem Sie den Hebel für die Einstellung des Neigungswinkels (G) drücken und eine geeignete Sitzwinkelposition wählen. Wählen Sie für maximale Sicherheit eine möglichst aufrechte Position und achten Sie gleichzeitig darauf, dass der Kopf Ihres Kindes beim Schlafen nicht nach vorne fällt. Aus Komfort- und Sicherheitsgründen sollte der Neigungswinkel mit zunehmendem Wachstum Ihres Kindes auf eine aufrechtere Position eingestellt werden. Beachten Sie, dass sich der Kindersitz beim Spannen der Spanngurte (M) etwas stärker nach hinten neigt, da er in das Polster des Fahrzeugsitzes einsinkt. Beim Einbau des AXKID MINIKID 4 auf einem Beifahrersitz ist es möglich, aber nicht notwendig, dass die Rückseite des Kindersitzes Kontakt mit dem Armaturenbrett hat.

3

Öffnen Sie die Gurtklemme (N). Ziehen Sie eine Armlänge des Fahrzeuggurts heraus und führen Sie ihn durch den Ihnen am nächsten gelegenen Sicherheitsgurtschlitz (D). Führen Sie den Gurt durch die Gurtklemme (N) und dann durch den Sicherheitsgurtschlitz (D) auf der gegenüberliegenden Seite. Schnallen Sie den Fahrzeuggurt mittels des Gurtschlösses an und ziehen Sie kräftig am Schulterteil des Fahrzeugsicherheitsgurts, damit er straff sitzt und der Kindersitz sicher befestigt ist. Je stärker Sie ziehen, desto fester die Installation. Wenn der Kindersitz fest angeschnallt ist, schließen Sie die Gurtklemme (N) und verriegeln Sie den Fahrzeugsicherheitsgurt in seiner Position. Stellen Sie sicher, dass sowohl der Schulter- als auch Beckengurt gemeinsam in der Gurtklemme (N) verriegelt sind. Schließen Sie die Abdeckung der Gurtklemme (O) und schließen Sie den Reißverschluss. Um eine noch festere und stabilere Befestigung zu erreichen, drücken Sie den Kindersitz nach unten, während Sie am Schulterteil des Sicherheitsgurts ziehen.

4

Ziehen Sie die Spanngurte (M) aus dem Kindersitz und schließen Sie sie an den unteren Befestigungspunkten in Ihrem Fahrzeug an. Weitere Informationen finden Sie im Abschnitt über untere Befestigungspunkte in diesem Handbuch. Drücken Sie die Oberseite des Kindersitzes nach unten und ruckeln Sie den Kindersitz seitlich hin und her. Die selbstspannenden Gurte (M) des AXKID MINIKID 4 werden daraufhin automatisch gespannt. Durch das Spannen der Gurte (M) stellen Sie auch den endgültigen Neigungswinkel des Kindersitzes ein. Drücken Sie so lange auf den Kindersitz, bis er sicher befestigt ist und Sie einen geeigneten Sitzwinkel erreicht haben. Prüfen Sie, ob die weiße Markierung am unteren Haltegurt sichtbar ist. Wenn nicht, befinden sich die unteren Befestigungspunkte zu nahe am Kindersitz und müssen angepasst werden. Wenn dies nicht möglich ist, können Sie auch die Spanngurte hinter dem Sitz überkreuzen, um etwas mehr Abstand zu gewinnen.

5

Ziehen Sie den Stützfuß (P) aus dem Kindersitz heraus. Drücken Sie den Stützfußknopf (Q) und ziehen Sie den Stützfuß (P) nach unten, bis er den Fahrzeugboden berührt. Lassen Sie den Stützfußknopf (Q) los und heben Sie den Kindersitz nach oben, um den Stützfuß (P) weiter auszufahren, bis Sie ein Klickgeräusch hören. Der Stützfuß (P) sollte nun verriegelt und fest gegen den Fahrzeugboden gedrückt sein. Achten Sie darauf, dass der Stützfuß (P) ca. 10° zur Fahrzeugfront geneigt ist. Prüfen Sie erneut, ob der Sicherheitsgurt des Fahrzeugs weiterhin fest gespannt ist und der Beckengurt beim Spannen der unteren Haltegurte und des Stützfußes nicht locker geworden ist. Wenn der Fahrzeuggurt etwas an Spannung verloren hat, straffen Sie ihn einfach nach, indem Sie Schritt 2 dieser Anleitung wiederholen, ohne die Spanngurte zu lösen.

6


Schieben Sie das ASIP (I) in die Schlitzle am ASIP-Konnektor (L) und schieben Sie es nach unten, bis das ASIP (I) einrastet. Wenn sich am ASIP-Konnektor (L) eine Kunststoffabdeckung befindet, entfernen Sie diese und platzieren Sie sie auf dem ASIP-Konnektor (L) auf der gegenüberliegenden Seite des Sitzes, bevor Sie das ASIP (I) anbringen. Stellen Sie sicher, dass das ASIP (I) an der Seite des AXKID MINIKID 4 Kindersitzes angebracht ist, die der Fahrzeugsitz am nächsten liegt.





# Anschnallen des Kinds im AXKID MINIKID 4 Kindersitz

Bevor Sie Ihr Kind im AXKID MINIKID 4 Kindersitz anschnallen, vergewissern Sie sich, dass sich die richtige Einlage im Sitz befindet. Der AXKID MINIKID 4 wurde entwickelt, um mit Ihrem Kind mitzuwachsen und einen bequemen und sicheren Sitz für Kinder zu gewährleisten. Axkid empfiehlt, die Einlage so lange zu verwenden, bis es für Ihr Kind zu eng ist, mindestens jedoch bis zu einer Mindestgröße gemäß der folgenden Tabelle (beachten Sie, dass das Alter nur einen Richtwert darstellt):

Alter	Körpergröße	
Kleinkind 0-3 Jahre	61– 105 cm	
Kind 3-7 Jahre	106 – 125 cm	

Der AXKID MINIKID 4 ist mit einer automatischen Kopfstütze (A) ausgestattet, die sich beim Anlegen des integrierten Sicherheitsgurtes automatisch in die richtige Position senkt. Damit eine optimale Position gewährleistet ist, empfiehlt Axkid, diese Funktion jedes Mal zu verwenden, wenn Sie Ihr Kind anschnallen. Bevor Sie Ihr Kind in den Kindersitz setzen, vergewissern Sie sich, dass sich die automatische Kopfstütze (A) in der entriegelten Position befindet. Weitere Informationen finden Sie im Abschnitt zur Einstellung der Kopfstütze (A).

7

Stellen Sie sicher, dass sich der Bremshebel der Kopfstütze (H) in der entriegelten Position befindet. Sollte sich der Hebel in der verriegelten Position befinden, drücken Sie den Hebel in die entriegelte Position.

8

Lösen Sie den integrierten Sicherheitsgurt, indem Sie den Auslöseknopf für den Gurt (E) drücken, und ziehen Sie beide Schultergurte (R) gleichzeitig heraus. Vermeiden Sie es, nur an einem Gurt zu ziehen, da die Schultergurte (R) hierdurch ungleichmäßig werden können. Stellen Sie sicher, dass sich die Kopfstütze (A) in der obersten Position befindet.

9

Entriegeln Sie das Gurtschloss, indem Sie den Schlossfreigabeknopf (C) drücken, und platzieren Sie die Gurte außerhalb des Sitzes.

10

Setzen Sie Ihr Kind in den Sitz und legen Sie die Schultergurte (R) über die Schulter Ihres Kindes. Verriegeln Sie den integrierten Sicherheitsgurt, indem Sie zuerst die Teile des Schlosses, die an den Schultergurten (R) befestigt sind, zusammenführen und sie dann in das Schloss schieben, bis Sie ein Klicken hören.

11

Ziehen Sie an den Schultergurten (R), um den integrierten Sicherheitsgurt über den Hüften Ihres Kindes zu spannen. Während die Schultergurte (R) gespannt bleiben, ziehen Sie den Gurtstraffer (F) gerade vom Kindersitz weg, bis der Gurt straff genug sitzt. Es sollte nicht mehr als ein Finger zwischen die Schultergurte (R) und die Schultern Ihres Kindes passen. Beim Spannen des Gurts bewegt sich die Kopfstütze (A) automatisch nach unten in die für Ihr Kind geeignete Position.



# Einstellung der Kopfstütze

Der AXKID MINIKID 4 ist mit einer automatischen Kopfstütze (A) ausgestattet, die dafür sorgt, dass sich die Kopfstütze (A) immer in der für Ihr Kind optimalen Position befindet. Wenn der integrierte Sicherheitsgurt gespannt wird, senkt sich die Kopfstütze (A) auf die richtige Höhe ab und rastet automatisch ein. Beim Lösen des Gurts bewegt sich die Kopfstütze (A) in ihre oberste Position zurück und wird entriegelt. Damit eine optimale Position gewährleistet ist, empfiehlt Axkid, diese Funktion jedes Mal zu verwenden, wenn Sie Ihr Kind anschnallen.

Die Kopfstütze (A) wird nur in ihrer obersten Position entriegelt. Es ist daher darauf zu achten, dass die Kopfstütze (A) beim Lösen des integrierten Sicherheitsgurts vollständig in die oberste Position zurückkehrt, da die Kopfstütze (A) andernfalls verriegelt bleibt und sich beim Spannen des Gurtes nicht nach unten bewegt.

Wenn Sie die automatische Justierung deaktivieren und die Kopfstütze (A) in einer festen Position halten möchten, bringen Sie die Kopfstütze (A) in die gewünschte Position und bewegen Sie den Bremshebel der Kopfstütze (H) in die verriegelte Position. Die Kopfstütze (A) ist jetzt in der entsprechenden Höhe verriegelt und bewegt sich nicht mehr, bis Sie den Bremshebel der Kopfstütze (H) wieder zurück in die entriegelte Position bringen.

Wenn Sie Ihren AXKID MINIKID 4 mit fester Kopfstütze (A) verwenden, stellen Sie sicher, dass sich die Kopfstütze (A) in der für Ihr Kind geeigneten Position befindet. Vergewissern Sie sich, dass die Schultergurte (R) direkt von den Schultern Ihres Kindes oder maximal 1 cm darüber durch den Sitz führen. Falls nicht, justieren Sie die Kopfstütze (A), indem Sie den Bremshebel der Kopfstütze (H) in die entriegelte Position bringen und die Kopfstütze (A) in die obere Position schieben, um sie zu entriegeln, und anschließend den Vorgang wiederholen.



## Ausbau des AXKID MINIKID 4 Kindersitzes aus Ihrem Fahrzeug

- Öffnen Sie den Reißverschluss und öffnen Sie die Abdeckung der Gurtklemme (O). Entriegeln Sie den Fahrzeugsicherheitsgurt, indem Sie auf den roten Knopf des Sicherheitsgurtschlusses drücken. Öffnen Sie die Gurtklemme (N) und ziehen Sie den Fahrzeugschloss durch die Gurtschlitze (D), um ihn vom Kindersitz zu entfernen.
- Entriegeln Sie die unteren Haltegurte (M), indem Sie die Anschlussstücke mit der Hand festhalten und mit dem Daumen auf den roten Knopf drücken. Halten Sie das Anschlussstück weiter in der Hand und führen Sie es langsam zum Kindersitz zurück. Achten Sie darauf, das Anschlussstück des unteren Haltegurtes nicht loszulassen, da er sich mit hoher Geschwindigkeit automatisch zurückzieht.
- Drücken Sie den Stützfußknopf (Q) und bringen Sie den Stützfuß (P) in seine kürzeste Position.
- Drücken Sie den Hebel für die Sitzwinkleinstellung (G) und drücken Sie den Sitzwinkleinsteller (T) in die kürzeste Position. Heben Sie den AXKID MINIKID 4 aus dem Fahrzeug.

**Tipp:** Verriegeln Sie das Gurtschloss und spannen Sie das Gurtzeug, bevor Sie den Kindersitz aus dem Fahrzeug nehmen. Sie können dann die Schultergurte (R) als Tragegriff verwenden, um den Kindersitz leichter herauszuheben und außerhalb des Fahrzeugs zu transportieren.

**Wichtig:** Tragen Sie den Kindersitz niemals an der Kopfstütze (A)

### Recycling Ihres Autositzes.



Axkid empfiehlt dringend, alte Autositze zu recyceln. Bevor Sie den Sitz bei Ihrer örtlichen Recyclingstation abgeben, schneiden Sie die Gurtbänder vom Sitz ab, entfernen Sie den Textilbezug, entfernen Sie so viele Styroporsteile wie möglich, trennen Sie Metall- und Kunststoffteile wenn möglich. Der Hauptteil des Sitzes sollte als unsicher oder abgelaufen gekennzeichnet sein (benutzen Sie eine Markierung), um niemanden davon abzuhalten, ihn erneut zu benutzen. Bitte überprüfen Sie Ihre lokalen kommunalen Richtlinien für Recyclinganweisungen für die verschiedenen Materialien.



# Pflege und Instandhaltung

Der Stoffbezug des Sitzes kann bei 30 °C im Schonwaschgang in der Waschmaschine gewaschen werden. Geben Sie den Bezug nicht in einen Trockner, da dies den Bezug beschädigen und die Polsterung sich vom Stoff lösen kann. Auf [www.axkid.com](http://www.axkid.com) finden Sie Videos, in denen das Entfernen und Anbringen des Bezugs erläutert wird.

## Entfernen des Stoffbezugs:

- Entfernen Sie das ASIP (I), falls dieses angebracht ist.
- Bringen Sie den Bremshebel der automatischen Kopfstütze (H) in die entriegelte Position und lösen Sie den Gurt, indem Sie den Auslöseknopf für den integrierten Sicherheitsgurt (E) drücken, und ziehen Sie beide Schultergurte (R) gleichzeitig heraus.
- Öffnen Sie die beiden Reißverschlüsse an der Unterseite der Kopfstütze (A) und ziehen Sie den Bezug vorsichtig von der Kopfstütze (A) ab.
- Senken Sie die Kopfstütze (A) in die unterste Position ab und bringen Sie den Bremshebel der automatischen Kopfstütze (H) in die verriegelte Position.
- Entriegeln Sie das Gurtschloss, indem Sie den Schlossfreigabeknopf (C) drücken, und entfernen Sie das Gurtschlosspolster.
- Öffnen Sie den Reißverschluss und die Abdeckung der Gurtklemme (O) und entfernen Sie die Kunststoffabdeckung (O) vom Stoffbezug.
- Öffnen Sie den Reißverschluss unter dem Kindersitz und öffnen Sie die 4 Knöpfe am Stoffbezug auf der Rückseite des Kindersitzes.
- Öffnen Sie die beiden Reißverschlüsse an der Rückenlehne an der Innenseite des Kindersitzes und ziehen Sie den Stoffbezug vorsichtig vom Kindersitz ab. Am ASIP-Konnektor und anderen Kunststoffabdeckungen ist Vorsicht geboten, damit der Stoff nicht beschädigt wird; nicht zu stark ziehen.
- Öffnen Sie die Schulterpolster und entfernen Sie sie vorsichtig vom Klettband.

## Anbringen des Stoffbezugs

- Führen Sie die Schritte aus der obigen Anleitung in umgekehrter Reihenfolge aus, um den Stoffbezug wieder am Kindersitz anzubringen.
- Beachten Sie, dass die Schulterpolster an verschiedenen Positionen angebracht werden können. Bringen Sie sie in einer für Ihr Kind geeigneten Position an; die Schulterpolster sollten auf der Schulter und auf der Brust Ihres Kindes positioniert werden. Achten Sie auch darauf, dass die Gummiseite des Schulterpolsters zur Brust Ihres Kindes zeigt.

Wenn der Stoffbezug des Sitzes ausgetauscht werden muss, müssen Sie sicherstellen, dass nur Originalprodukte von Axkid zum Einsatz kommen. Wenn andere Produkte verwendet werden, wird das Sicherheitssystem des AXKID MINIKID 4 Kindersitzes möglicherweise beeinträchtigt, was bei Unfällen ernsthafte Verletzungen zur Folge haben kann.

Sämtliche Kunststoffteile des AXKID MINIKID 4 Kindersitzes können mit mildem Reinigungsmittel und Wasser gereinigt werden. Verwenden Sie keine aggressiven Chemikalien, die Lösungsmittel u. Ä. enthalten, da dies zu Schäden am Kunststoff führen und die Sicherheit des Kindersitzes beeinträchtigen kann.

# Garantie

Für den AXKID MINIKID 4 Kindersitz besteht eine 24-monatige Garantie ab Kaufdatum. Achten Sie darauf, dass Sie Ihren Kaufbeleg aufbewahren, damit Sie diesen bei Garantiefällen, die nicht von der Gewährleistung abgedeckt werden, am Kaufort vorlegen können.

- Normalen Verschleiß
- Schäden durch unsachgemäße Verwendung, Vernachlässigung oder Unfall
- Nach Reparaturen durch Dritte
- Sämtliche verwendeten Materialien bieten eine sehr hohe UV-Beständigkeit. UV-Licht ist jedoch sehr aggressiv und führt letztlich zum Ausbleichen des Sitzbezugs. Dies gilt als normaler Verschleiß und fällt somit nicht unter unsere Garantie.
- Gehen Sie vorsichtig mit dem Sitz um. Tragen Sie den Sitz niemals an der Kopfstütze (A).

Der Garantiezeitraum beträgt 24 Monate ab Kaufdatum. Bewahren Sie Ihren Kaufbeleg gut auf. Dieser muss im Falle eines Garantieanspruchs vorgezeigt werden. Folgendes wird nicht von der Garantie abgedeckt:

- normale Abnutzung
- Schäden durch unsachgemäße Verwendung, Vernachlässigung oder Unfall
- Reparaturen durch Dritte

# Gracias por elegir la silla de seguridad infantil AXKID MINIKID 4

Lea atentamente este manual de instrucciones antes de instalar la silla de seguridad AXKID MINIKID 4 en su vehículo. Para obtener más información y vídeos sobre la instalación, visite [www.axkid.com](http://www.axkid.com).

**AXKID MINIKID 4** es una silla de coche orientada hacia atrás homologada para niños con una altura entre 61-125 cm, ≤36 kg

La silla de seguridad infantil AXKID MINIKID 4 puede usarse a partir de los seis meses de edad del niño, o desde que el niño puede sentarse solo sin apoyo.

Este producto es un sistema integral de retención infantil específico para su instalación en vehículos con cinturón de seguridad de 3 puntos. Está certificado según la norma ECE R129 de sistemas de retención infantil, para su instalación en asientos de vehículos compatibles según indique la lista de vehículos. Si tiene cualquier duda, consulte con el fabricante ([www.axkid.com](http://www.axkid.com)) o con su tienda.

## Información importante

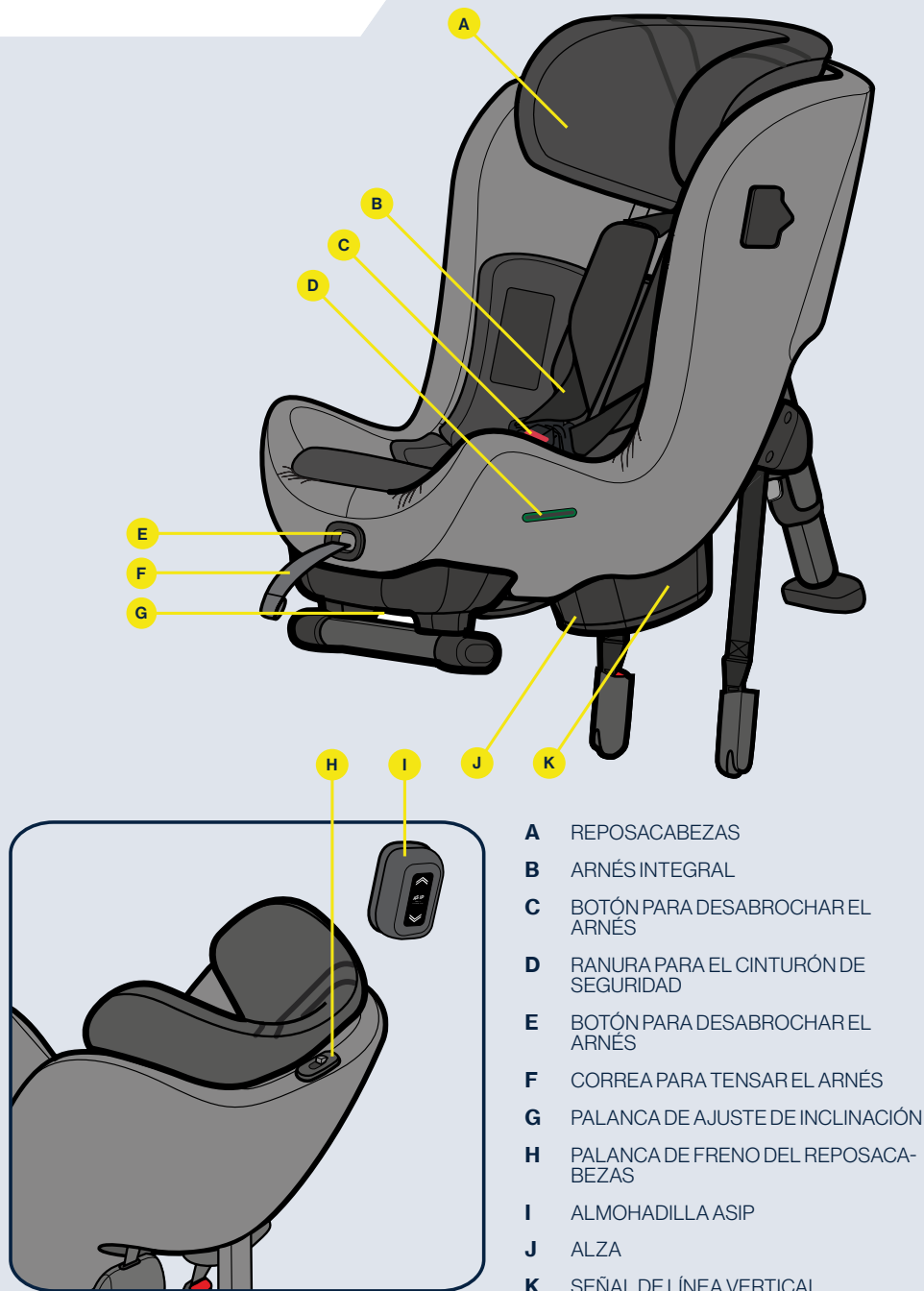
Para maximizar la seguridad del niño, es importante que recuerde lo siguiente:

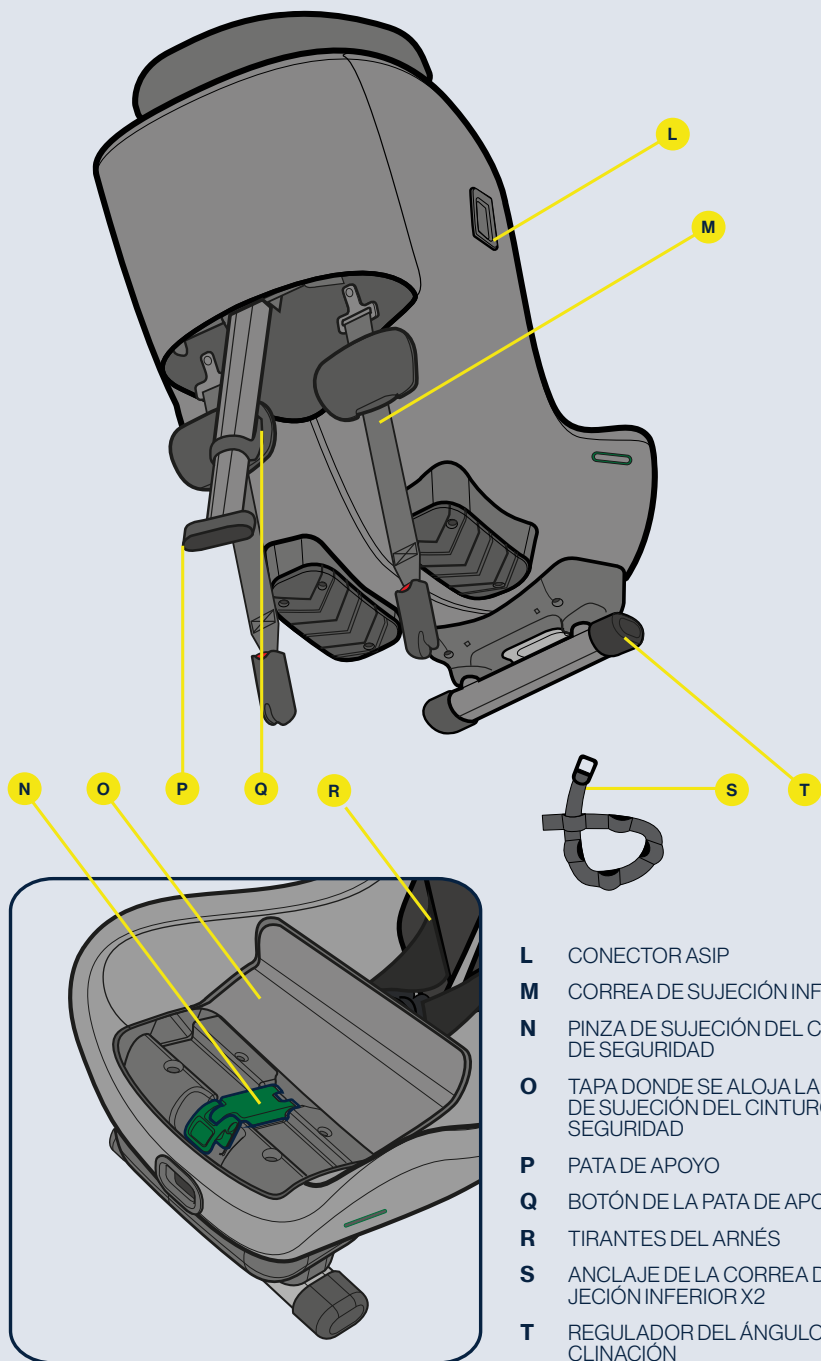
- Siga siempre las instrucciones de este manual. Una instalación incorrecta puede poner en peligro la seguridad del niño. Si tiene cualquier duda, contacte con su tienda, donde le asesorarán para una correcta instalación.
- Conserve este manual de instrucciones para futuras consultas. Si pierde el manual, puede descargarlo online en [www.axkid.com](http://www.axkid.com)
- No instale nunca la silla AXKID MINIKID 4 en el asiento de un vehículo que tenga instalado un airbag frontal. Si, aun así, desea instalar la silla AXKID MINIKID 4 en dicho asiento, el airbag se debe desconectar siguiendo las instrucciones del fabricante del vehículo.
- En caso de accidente de tráfico, por leve que sea, se debe sustituir obligatoriamente la silla de seguridad por una nueva. La silla podría tener algún daño invisible que no se detecte a simple vista y poner seriamente en peligro la seguridad del niño. Por esta razón, Axkid no recomienda adquirir sillas de seguridad de segunda mano.
- Si la silla AXKID MINIKID 4 ha estado expuesta a la luz directa del sol, asegúrese de que la silla no está demasiado caliente al sentar al niño.
- No deje nunca al niño solo desatendido en el vehículo.
- Asegúrese de que cualquier equipaje o carga que lleve en el vehículo estén firmemente sujetos. Así evitará lesiones a los pasajeros en caso de accidente.
- Asegúrese de instalar la silla AXKID MINIKID 4 de forma que ninguna pieza de la silla quede aprisionada por asientos móviles, puertas del vehículo, etc.
- Si utiliza un sistema de sujeción por medio de correas, asegúrese de que las correas no dificultan el movimiento de ninguno de los asientos del vehículo.
- La silla AXKID MINIKID 4 solo se puede instalar a contramarcha, es decir, mirando hacia atrás.
- Asegúrese siempre de que el arnés se ajusta correctamente al cuerpo del niño. El arnés se ajusta moviendo el reposacabezas.
- Compruebe que la espalda del niño esté totalmente apoyada en la silla al colocar el arnés.
- Asegúrese siempre de que el arnés esté firmemente tenso y ajustado al niño y de que el broche del arnés esté correctamente abrochado, de forma que no quede flojo ningún tramo del cinturón del arnés.
- Asegúrese de que el arnés no esté torcido en ningún punto.
- Compruebe siempre que la pata de apoyo está en la posición correcta y en contacto con el suelo del vehículo. La pata de apoyo es un elemento de seguridad muy importante diseñado para maximizar la seguridad del niño en caso de accidente.
- No intente desmontar ni modificar ninguna pieza de la silla AXKID MINIKID 4. Hacerlo puede afectar a la garantía y a la seguridad efectiva del producto.
- No utilice nunca la silla AXKID MINIKID 4 sin la funda textil. La funda textil es un componente del sistema de seguridad y solo se puede sustituir por otra funda Axkid original.
- Lea el manual del vehículo y la lista de vehículos disponible en [www.axkid.com](http://www.axkid.com) para comprobar cuáles son los asientos del vehículo en los que se puede instalar la silla.
- Axkid recomienda usar siempre un protector de asiento para proteger el asiento del vehículo de rasguños y suciedad.
- Si tiene cualquier duda, contacte con la tienda donde compró la silla o contacte con nosotros en el email [info@axkid.com](mailto:info@axkid.com)

# Índice

Piezas	34
Instalación correcta e incorrecta de la silla de seguridad AXKID MINIKID 4	36
Anclajes de las correas de sujeción inferiores	36
Cómo instalar las correas de sujeción inferiores	37
Proteger al niño con la silla AXKID MINIKID 4	39
Ajuste del reposacabezas	40
Desinstalación de la silla AXKID MINIKID 4 del vehículo	40
Cuidado y mantenimiento	41
Garantía	41

# Piezas





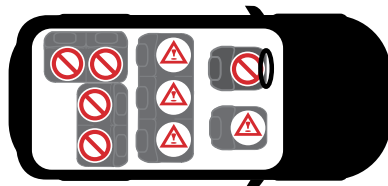
- L** CONECTOR ASIP
- M** CORREA DE SUJECIÓN INFERIOR
- N** PINZA DE SUJECIÓN DEL CINTURÓN DE SEGURIDAD
- O** TAPA DONDE SE ALOJA LA PINZA DE SUJECIÓN DEL CINTURÓN DE SEGURIDAD
- P** PATA DE APOYO
- Q** BOTÓN DE LA PATA DE APOYO
- R** TIRANTES DEL ARNÉS
- S** ANCLAJE DE LA CORREA DE SUJECIÓN INFERIOR X2
- T** REGULADOR DEL ÁNGULO DE INCLINACIÓN



# Instalación correcta e incorrecta de la silla de seguridad AXKID MINIKID 4

La silla AXKID MINIKID 4 solo se puede instalar mirando a contramarcha. Podrá instalarse en la mayoría de los asientos, pero no en todos. Consulte el manual de instrucciones del vehículo para ver en qué asientos puede instalar la silla AXKID MINIKID 4 y la lista de vehículos en [www.axkid.com](http://www.axkid.com)

Asiento delantero del acompañante (sin airbag activo)	SÍ/NO*
Asiento delantero del acompañante (airbag activo)	NO
Asiento trasero con cinturón de seguridad de 3 puntos	SÍ
Asiento con cinturón de seguridad de 2 puntos	NO
Asientos laterales u orientados hacia atrás	NO



**IMPORTANTE:** Si desea instalar la silla AXKID MINIKID 4 en un asiento que tenga airbag frontal, el airbag se debe desconectar siguiendo las instrucciones del manual del vehículo. Tenga en cuenta que algunos vehículos requieren de un servicio técnico autorizado para desconectar el airbag.

\* El Reglamento General de Circulación en España, en su artículo 117, establece la prohibición de circular con menores de estatura igual o inferior a 135 centímetros situados en los asientos delanteros del vehículo, salvo excepciones.



## Anclajes de las correas de sujeción inferiores

### Información importante

Los anclajes del sistema por medio de correas inferiores (LTA) se usan para mejorar la protección del niño en el vehículo proporcionando una instalación firme y estable en sillas de seguridad que se instalan a contramarcha ancladas al cinturón de seguridad. De este modo, se incrementa la seguridad del niño en todo tipo de colisiones, incluidos los accidentes con vuelcos y los impactos traseros.

El sistema de sujeción por medio de correas inferiores es un método de eficacia comprobada ampliamente utilizado en los países nórdicos durante más de 40 años. En 2020 se publicó la nueva norma internacional ISO13216-4:2020 sobre LTA. La norma describe los requisitos que deben cumplir los asientos, los fabricantes de vehículos y los puntos de anclaje para el uso de las correas de sujeción inferiores. La finalidad consiste en mejorar la compatibilidad y garantizar una instalación fácil y segura para el futuro.

Las correas de sujeción inferiores de AXKID MINIKID 4 cumplen la norma ISO13216-4:2020, garantizando un acople perfecto y una instalación fácil en vehículos con anclajes para correas de sujeción inferiores preinstalados que cumplan la norma. Si los puntos de anclaje de su vehículo no cumplen la norma, es posible que las correas de sujeción inferiores de AXKID MINIKID 4 sean compatibles, pero no es seguro. Normalmente, los anclajes de las correas de sujeción inferiores suelen encontrarse en los rieles de los asientos anclados al suelo del vehículo, pero es posible que su posición varíe. Consulte el manual de instrucciones de su vehículo para obtener más información acerca de los puntos de anclaje que se pueden utilizar.

Si su vehículo no dispone de anclajes para el sistema de sujeción por medio correas, AXKID MINIKID 4 incluye unas correas (S) de anclaje puede instalar en el vehículo. Encontrará las instrucciones de colocación en este manual. Estas correas también cumplen la norma ISO13216-4:2020 y, si se instalan correctamente, ofrecen el mismo grado de seguridad que los anclajes preinstalados.

Algunos fabricantes de vehículos ofrecen también la posibilidad de actualizar los anclajes del sistema de sujeción por medio de correas. Para obtener más información, póngase en contacto con el fabricante de su vehículo o su concesionario. Los anclajes para las correas de sujeción inferiores de Axkid y las correas inferiores se pueden comprar por separado.

**Nota:** No use nunca la silla de seguridad AXKID MINIKID 4 sin las correas de sujeción inferiores. Constituyen un elemento de seguridad importante y se deben utilizar siempre que use la silla.



# Cómo instalar las correas de sujeción inferiores

Si su vehículo no dispone de anclajes para el sistema de sujeción por medio correas, AXKID MINIKID 4 incluye unas correas de sujeción inferiores para el sistema de sujeción que puede instalar en el vehículo. En función del vehículo y el asiento que elija para instalar la silla de seguridad, existen varios puntos de anclaje posibles en los que se pueden instalar las correas de sujeción. Consulte a continuación las alternativas posibles.

Para instalar las correas de sujeción inferiores (S), pase la correa alrededor del punto de anclaje que vaya a utilizar e inserte el anclaje de metal en una de las ranuras de la propia correa. La correa de sujeción tiene varias ranuras. Asegúrese de utilizar la ranura que más cerca quede del anclaje de metal, y de instalar el anclaje de metal lo más cerca posible del suelo del vehículo. A continuación, tire del anclaje de metal para apretar la correa y repita el proceso con la otra correa. Utilice siempre dos puntos de anclaje para instalar AXKID MINIKID 4. Utilice unos puntos de anclaje que estén separados, de este modo le conferirá estabilidad a la instalación.

## Opciones de colocación de la correa de anclaje

alt. **a** Pase la correa alrededor del borde del anclaje preinstalado (use este método únicamente si los anclajes preinstalados no encajan con las correas de sujeción inferiores)

alt. **b** Enrolle la correa alrededor del riel que está delante del asiento pasándola entre el riel y el suelo del vehículo o a través de un orificio apropiado del riel.

alt. **c** Enrolle la correa en el recodo entre el respaldo y el asiento delantero.

alt. **d** Enrolle la correa alrededor del riel del asiento que está debajo del asiento pasándola entre el riel y el suelo del vehículo o a través de un orificio apropiado del riel.

alt. **e** Si instala AXKID MINIKID 4 en un asiento delantero y ninguna de las alternativas anteriores está disponible, es posible fijar las correas de sujeción inferiores a un punto de anclaje adecuado de la parte trasera del vehículo y pasar las correas por debajo del asiento del vehículo de atrás hacia adelante. Asegúrese de que las correas de anclaje salgan por la parte delantera de debajo del asiento y no por los laterales.

**Nota:** Asegúrese siempre de que, al cambiar la posición de cualquier asiento del vehículo, no obstaculice ni dañe las correas de sujeción inferiores

**Nota:** No utilice nunca objetos afilados para pasar las correas, ya que podría dañarlas.



# Instalación de la silla AXKID MINIKID 4 en el vehículo

Antes de instalar la silla AXKID MINIKID 4, asegúrese de que el vehículo dispone de anclajes para correas de sujeción inferiores. Consulte el apartado sobre los anclajes de las correas de sujeción inferiores para obtener más información y conocer las instrucciones de colocación.

1

Abra la cremallera y la tapa (O) donde se aloja la pinza de sujeción del cinturón de seguridad.

2

Coloque la silla AXKID MINIKID 4 en el asiento del vehículo de forma que el respaldo de MINIKID 4 mire hacia la parte delantera del vehículo. Ajuste el espacio para las piernas del niño moviendo la silla de seguridad hacia delante o hacia atrás sobre el asiento del vehículo. AXKID MINIKID 4 se puede instalar contra la parte trasera del vehículo pero no se debe instalar nunca con las alzas (J) colgando más allá del borde del asiento. Asegúrese de que la señal de línea vertical (K) del alza (J) no sobrepase el borde del asiento del vehículo.

Para ajustar el ángulo de inclinación del respaldo de MINIKID 4, presione la palanca de ajuste de inclinación (G) y seleccione una posición adecuada. Para maximizar la seguridad, el ángulo de inclinación debe ser el más vertical posible; la inclinación debe ser suficiente para que la cabeza del niño no caiga hacia adelante si se queda dormido. Conforme el niño va creciendo es importante ir ajustando la reclinación de la silla a una posición más recta, para ofrecer así la mayor protección y comodidad posibles. Tenga en cuenta que la silla MINIKID 4 se inclinará ligeramente al instalarla y hundirse en el asiento del vehículo cuando la sujetemos con las correas de sujeción inferiores (M). Es posible, pero no necesario, que al instalar AXKID MINIKID 4 en el asiento del copiloto, el respaldo de MINIKID 4 toque el salpicadero del vehículo.

3

Abra la pinza de sujeción del cinturón de seguridad (N). Extraiga la longitud equivalente a un brazo del cinturón de seguridad y páselo por la ranura para el cinturón de seguridad (D) más próxima. Pase el cinturón de seguridad por la pinza de sujeción del cinturón (N) e introdúzcalo por la ranura para el cinturón de seguridad (D) del lado contrario. Abroche el cinturón de seguridad. Tire con fuerza del cinturón de seguridad en la zona del hombro para que quede tenso y la silla de seguridad quede bien sujeta. Cuanto más tire, más estable será la instalación. Cuando la silla MINIKID 4 esté bien sujeta, cierre la pinza de sujeción del cinturón de seguridad (N) y bloquee el cinturón de seguridad del vehículo en esa posición. Asegúrese de que la correa del hombro y el cinturón de cadera están sujetos con la pinza de sujeción del cinturón de seguridad (N). Cierre la tapa donde se aloja la pinza de sujeción del cinturón de seguridad (O) y cierre la cremallera. Presione fuertemente la silla de seguridad hacia abajo mientras tira de la correa del hombro para que la instalación quede más estable y firme.

4

Tire de las correas de sujeción inferiores (M) de la silla de seguridad y abróchelas a los anclajes para las correas de sujeción inferiores del vehículo. Para obtener más información, consulte el apartado del manual sobre los anclajes de las correas de sujeción inferiores. Presione fuertemente la silla hacia abajo, primero en un lado y luego en el otro. Al hacer esto, las correas de sujeción inferiores autotensantes (M) de AXKID MINIKID 4 se tensarán automáticamente. Tensando las correas de sujeción inferiores (M) también se ajustará el ángulo de inclinación de la silla de seguridad. Siga presionando la silla hacia abajo hasta que quede bien sujeta y el ángulo de inclinación sea el apropiado. Compruebe que las marcas blancas en las correas son visibles. Si no puede ver las marcas, significa que los anclajes de sujeción inferiores están demasiado cerca de la silla de seguridad y hay que ajustarlos. Si esto no es posible, pruebe a cruzar las correas inferiores por detrás de la silla para conseguir un poco más de distancia.

5

Despliegue la pata de apoyo (P) de la silla MINIKID 4. Presione el botón de extensión de la pata de apoyo (Q) y extienda la pata de apoyo (P) hasta oír un clic. La pata de apoyo (P) estará ahora fijada y presionando firmemente contra el suelo. Compruebe que el ángulo de la pata de apoyo (P) con respecto a la vertical sea en torno a los 10°. Vuelva a comprobar el cinturón de seguridad para asegurarse de que siga estando tenso y que no se ha aflojado el cinturón de cadera al tensar las correas de sujeción inferiores y la pata de apoyo. Si el cinturón de seguridad ha perdido tensión, vuelva a tensarlo repitiendo el paso 2 del manual sin desconectar las correas de sujeción inferiores.

6

Empuje la almohadilla ASIP (I) en la ranura del conector ASIP (L) y deslicela hacia abajo para que la almohadilla ASIP (I) se coloque en su sitio. Si hubiera una tapadera de plástico en el conector ASIP (L), quítela de ese lado y póngasela al conector ASIP (L) del otro lado antes de colocar la almohadilla ASIP (I). Asegúrese de que coloca la almohadilla ASIP (I) en el lado de la silla AXKID MINIKID 4 más cercano a la puerta del vehículo.



# Proteger al niño con la silla AXKID MINIKID 4

Antes de sentar al niño en la silla de seguridad AXKID MINIKID 4, asegúrese de que tiene los adaptadores apropiados instalados en la silla. AXKID MINIKID 4 está diseñada para crecer con el niño de forma segura y cómoda. Axkid recomienda usar los adaptadores correspondientes en cada momento hasta que el espacio sea demasiado estrecho para el niño, siempre teniendo en cuenta la altura mínima según la siguiente tabla (tener en cuenta que la edad es solo indicativa):

Edad	Altura	
Bebé 0-3 años	61- 105 cm	
Niño 3-7 años	106 - 125 cm	

La silla AXKID MINIKID 4 cuenta con un reposacabezas automático (A) que se bajará hasta la posición correcta cuando se tense el arnés. Para garantizar una sujeción óptima, Axkid recomienda utilizar esta función siempre que utilice la silla. Antes de sentar al niño en la silla, asegúrese de que el reposacabezas automático (A) está en la posición de desbloqueo. Consulte el apartado ajuste del reposacabezas (A) para obtener más información.

7

Asegúrese de que la palanca de freno del reposacabezas (H) esté desbloqueada. Si está bloqueada, presione la palanca y colóquela en la posición de desbloqueo.

8

Afloje el arnés presionando el botón para desabrochar el arnés (E) y tire de los dos tirantes del arnés (R) a la vez. Evite tirar de un solo tirante a la vez ya que ello puede hacer que los tirantes del arnés (R) estén dispares. Asegúrese de que el reposacabezas (A) está en la posición más alta.

9

Abra el broche presionando el botón para desabrochar el arnés (C) y sitúe los tirantes fuera de la silla.

10

Siente al niño en la silla y coloque los tirantes del arnés (R) por encima de sus hombros. Para abrochar el arnés, primero junte las piezas al final de los tirantes del arnés (R) e introdúzcalas en el broche hasta oír un clic.

11

Tire de los tirantes del arnés (R) para tensar el arnés sobre las caderas del niño. Mientras mantiene la tensión de los tirantes del arnés (R), tire de la correa para tensar el arnés (F) hasta que el arnés esté lo suficientemente tenso, siendo un indicador de esto el no poder meter más de un dedo entre los tirantes del arnés (R) y los hombros del niño. Al tensar el arnés, el reposacabezas (A) bajará automáticamente hasta quedar en la posición correcta para el niño.



# Ajuste del reposacabezas

AXKID MINIKID 4 cuenta con un reposacabezas automático (A) que garantiza que su posición sea en todo momento la más adecuada para el niño. Al tensar el arnés, el reposacabezas (A) bajará automáticamente hasta quedar en la posición correcta y se bloqueará. Al aflojar el arnés, el reposacabezas (A) volverá a la posición elevada y se desbloqueará. Para garantizar una sujeción óptima, Axkid recomienda utilizar esta función siempre que utilice la silla.

El reposacabezas (A) solo se desbloquea en la posición más elevada. Por ello, es importante asegurarse de que el reposacabezas (A) sigue todo el recorrido hasta la posición más elevada al aflojar el arnés. De lo contrario, el reposacabezas (A) se quedará bloqueado y no bajará al tensar el arnés.

Si desea desactivar la función de ajuste automático y dejar el reposacabezas (A) en una posición fija, coloque el reposacabezas (A) en la posición deseada y cambie la palanca de freno del reposacabezas (H) a la posición de bloqueo. El reposacabezas (A) está ahora bloqueado con una altura fija y no se moverá hasta que vuelva a cambiar la palanca de freno del reposacabezas (H) a la posición de desbloqueo.

Al utilizar la silla AXKID MINIKID 4 con el reposacabezas (A) en una posición fija, asegúrese de que el reposacabezas (A) esté colocado a la altura correcta para el niño. Compruebe que los tirantes del arnés (R) salen de la silla hacia delante desde los hombros del niño o como máximo 1 cm por encima. Si no es así, ajuste el reposacabezas (A) cambiando la palanca de freno del reposacabezas (H) a la posición de desbloqueo y tire del reposacabezas (A) hasta que quede en la posición más alta para desbloquearlo. A continuación, repita el procedimiento.



# Desinstalación de la silla AXKID MINIKID 4 del vehículo

- Abra la cremallera y la tapa (O) donde se aloja la pinza de sujeción del cinturón de seguridad. Abra el cinturón de seguridad pulsando el botón rojo del broche del cinturón. Abra la pinza de sujeción del cinturón de seguridad (N) y tire del cinturón pasándolo por las ranuras del cinturón (D) para sacarlo de la silla de seguridad.
- Suelte las correas de sujeción inferiores (M) sujetando los conectores con la mano y pulsando el botón rojo con el pulgar. Sujetando el conector con la mano, vuelva a introducirlo en la silla. No deje escapar el conector de la correa inferior, ya que se recogerá automáticamente a gran velocidad.
- Pulse el botón de la pata de apoyo (Q) y deje anclada la pata de apoyo (P) en la posición más corta.
- Empuje la palanca de ajuste de la inclinación (G) y presione el regulador del ángulo de inclinación (T) en la posición más corta. Saque la silla AXKID MINIKID 4 del vehículo.

**Consejo:** Bloquee el broche del arnés y tense el arnés antes de sacar la silla de seguridad del vehículo. Así podrá utilizar las correas para los hombros (R) como asas de transporte para levantar la silla y sacarla del vehículo.

**Importante:** No transporte nunca la silla de seguridad sujetándola por el reposacabezas (A).

## Reciclaje de su asiento para el automóvil.



Axkid recomienda encarecidamente reciclar los asientos de seguridad viejos. Antes de dejar el asiento en la estación de reciclaje local, corte las correas del arnés del asiento, retire la cubierta textil, retire la mayor cantidad posible de piezas de poliestireno y, si es posible, separe las piezas de metal y de plástico. La parte principal del asiento debe estar marcada como insegura o vencida (use un marcador) para disuadir a cualquier persona de volver a usarla. Consulte las directrices municipales locales para conocer las instrucciones de reciclaje de los diferentes materiales.

# Cuidado y mantenimiento

La funda de la silla de seguridad MINIKID 4 puede quitarse y lavarse a máquina a 30° C usando el programa de lavado para prendas delicadas. No use secadora, ya que esto puede dañar el tejido y hacer que el relleno se separe de la tela. En nuestra web [www.axkid.com](http://www.axkid.com) puede ver vídeos explicando cómo quitar y poner la funda.

## Quitar las fundas:

- Quite la almohadilla ASIP (I) si está colocada.
- Ponga la palanca de freno (H) del reposacabezas automático en posición de desbloqueo, y afloje el arnés presionando el botón para desabrochar el arnés (E) y tire de los dos tirantes del arnés (R) a la vez.
- Abra las dos cremalleras que están en la parte inferior del reposacabezas (A) y quite la funda del reposacabezas (A) tirando de ella con cuidado.
- Baje el reposacabezas (A) a la posición más baja y cambie la palanca de freno (H) del reposacabezas automático a la posición de bloqueo.
- Abra el broche presionando el botón para desabrochar el arnés (C) y quite la funda del broche.
- Abra la cremallera y la tapa (O) donde se aloja la pinza de sujeción del cinturón de seguridad y extraiga la tapa de plástico (O) de la funda de tela.
- Abra la cremallera que está debajo de la silla y suelte los 4 botones de la funda que quedan en la parte trasera de la silla de seguridad.
- Abra las dos cremalleras del respaldo y quite con cuidado la funda de la silla de seguridad. Tenga cuidado de no dañar la funda en la zona de la almohadilla ASIP y las tapas de plástico. No tire demasiado fuerte.
- Abra las almohadillas para hombros y suéltelas con cuidado del Velcro.

## Poner las fundas

- Para volver a poner las fundas en la silla de seguridad, invierta los pasos anteriores.
- Tenga en cuenta que las almohadillas para hombros se pueden colocar de varias formas diferentes. Colóquelas en una posición adecuada para el niño; las almohadillas deben quedar sobre los hombros del niño, no sobre su pecho. Asegúrese de que la cara de goma de la almohadilla de hombro quede mirando hacia el pecho del niño.

Si tiene que sustituir la funda de la silla de seguridad MINIKID 4, asegúrese de usar solo productos originales de Axkid. Si usa productos de otros fabricantes, el sistema de seguridad AXKID MINIKID 4 puede verse afectado, lo que puede ocasionar al niño lesiones graves en caso de accidente.

Todas las piezas de plástico de la AXKID MINIKID 4 se pueden limpiar con detergente suave y agua. No utilice productos químicos agresivos que contengan disolventes, etc., ya que esto puede provocar daños en el plástico y poner en peligro la seguridad de la silla.

# Garantía

La silla de seguridad infantil AXKID MINIKID 4 está cubierta por una garantía de 24 meses desde la fecha de compra. Guarde el ticket de compra y lleve la silla a la tienda donde la adquirió en caso de reclamación de la garantía. La garantía no cubre:

- El desgaste normal del producto
- Los daños causados por un uso incorrecto, negligencia o accidente
- Si las reparaciones las ha realizado un tercero
- Todos los materiales usados tienen una clasificación muy alta de resistencia a los rayos ultravioleta. Sin embargo, la luz UV es muy agresiva y, en última instancia, hará que la cubierta de la silla se decolore. Esto no está cubierto por nuestra garantía, ya que se considera un desgaste normal.
- Utilice la silla con cuidado. No transporte nunca la silla de seguridad sujetándola por el reposacabezas (A).

# Merci d'avoir choisi AXKID MINIKID 4

Lisez ce manuel d'utilisation avant d'installer le siège auto AXKID MINIKID 4 dans votre véhicule.  
Pour plus d'informations et des vidéos d'installation, consultez [www.axkid.com](http://www.axkid.com).

**AXKID MINIKID 4** est un siège auto dos à la route homologué pour les enfants d'une taille comprise entre 61 et 125 cm, ≤36 kg

AXKID MINIKID 4 peut être utilisé à partir de l'âge d'environ six mois ou à partir du moment où votre enfant peut s'asseoir sans soutien.

Il s'agit d'un système de retenue pour enfants amélioré à ceinture spécifique intégré. Il est homologué conformément au Règlement CEE/ONU n° 129, pour une utilisation sur des places assises de véhicules compatibles comme indiqué par la liste des véhicules. If in doubt, consult either the Enhanced Child Restraint System manufacturer ([www.axkid.com](http://www.axkid.com)) or the retailer.

## Informations importantes

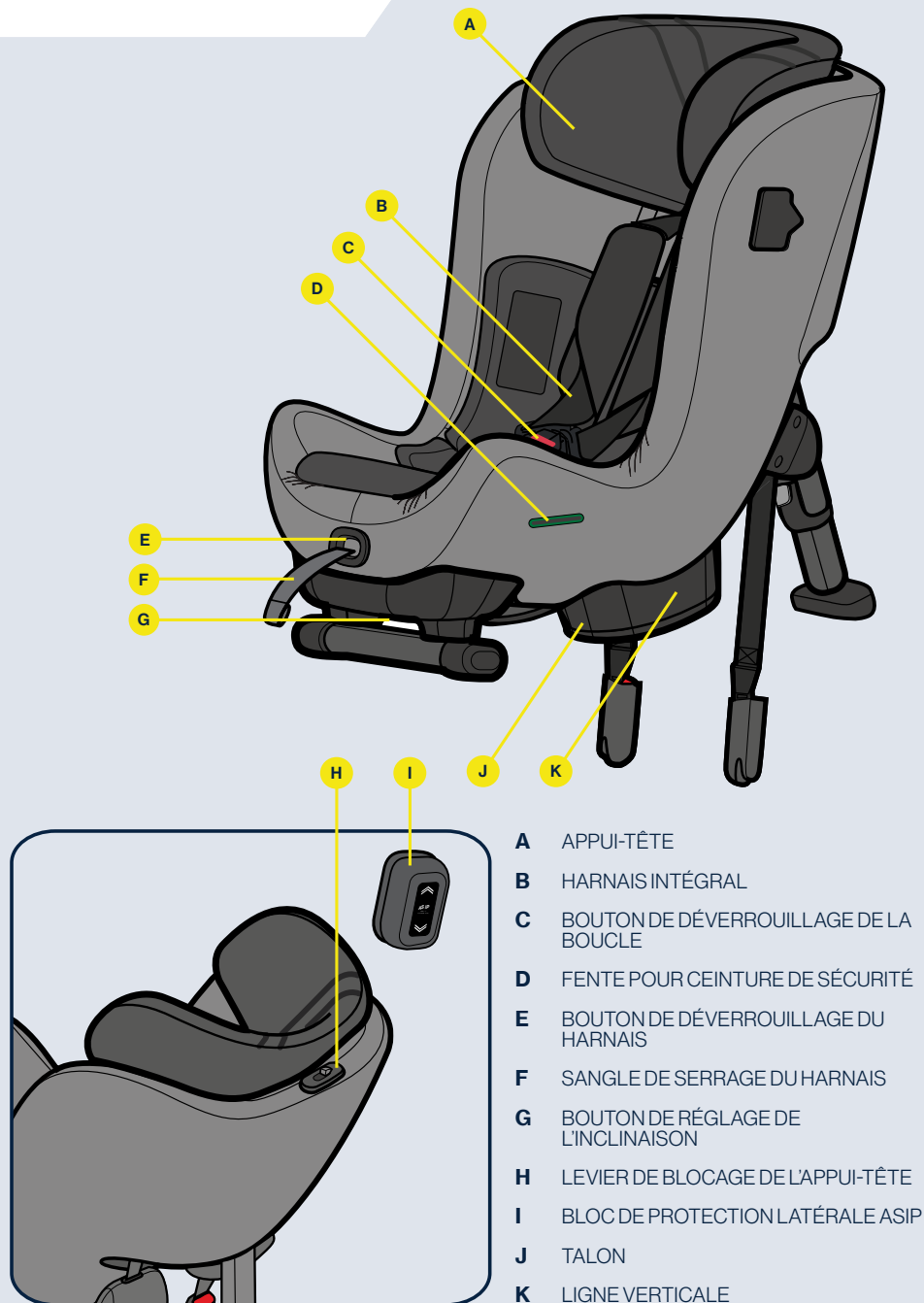
Pour maximiser la sécurité de votre enfant, il est important que vous gardiez ce qui suit à l'esprit :

- Suivez toujours les instructions de ce manuel. Une installation incorrecte peut gravement affecter la sécurité de votre enfant. En cas de doute, contactez votre revendeur qui peut vous démontrer une installation correcte.
- Conservez ce manuel d'utilisation pour référence ultérieure. Si le manuel est perdu, vous pouvez le trouver en ligne sur [www.axkid.com](http://www.axkid.com)
- N'utilisez pas le siège auto AXKID MINIKID 4 sur une place équipée d'un airbag frontal actif. Si vous souhaitez toujours installer le siège auto pour enfant AXKID MINIKID 4 à cet endroit, l'airbag doit être désactivé selon les instructions du fabricant du véhicule.
- En cas d'accident, aussi bénin soit-il, votre siège auto doit toujours être remplacé. Il peut présenter des dommages qui ne sont pas visibles et qui pourraient sérieusement affecter la sécurité de votre enfant. Pour cette raison, Axkid ne recommande pas d'acheter des sièges auto d'occasion.
- Si le siège auto AXKID MINIKID 4 a été exposé à la lumière directe du soleil, assurez-vous qu'il n'est pas trop chaud avant d'y installer votre enfant.
- Ne laissez jamais votre enfant sans surveillance dans la voiture.
- Assurez-vous que les bagages ou les objets en vrac sont fixés dans votre véhicule, car ils peuvent causer des blessures aux passagers en cas de collision.
- Assurez-vous que le siège auto pour enfant AXKID MINIKID 4 est installé de manière à ce qu'aucune pièce ne soit coincée par des sièges mobiles, des portières de voiture, etc.
- Si vous utilisez des sangles d'ancrage pour les attaches inférieures, assurez-vous qu'elles sont installées sans interférer avec les mouvements des sièges du véhicule.
- Le siège auto AXKID MINIKID 4 ne peut être installé que dos à la route.
- Assurez-vous toujours que le harnais est ajusté pour s'adapter correctement au corps de votre enfant. Le harnais est ajusté en déplaçant le support de tête.
- Assurez-vous que le dos de l'enfant est bien en contact avec le dossier du siège auto lorsque vous retenez votre enfant avec le harnais.
- Assurez-vous toujours que le harnais est fermement serré contre votre enfant et que la boucle est complètement verrouillée : vous ne devriez pas pouvoir pincer les sangles.
- Assurez-vous que le harnais ne soit pas vrillé.
- Assurez-vous toujours que la jambe de force soit dans la bonne position et qu'elle soit en contact avec le plancher du véhicule. La jambe de force est un élément de sécurité très important conçu pour maximiser la sécurité de votre enfant en cas d'accident.
- N'essayez pas de démonter ou de modifier tout ou partie du siège auto AXKID MINIKID 4. La garantie et les performances de sécurité du siège auto Axkid risquent d'en être affectées si vous le faites.
- N'utilisez jamais le siège auto AXKID MINIKID 4 sans la housse textile du siège. La housse textile du siège est un élément de sécurité et ne peut être remplacée que par une housse textile de siège d'origine Axkid.
- Lisez le manuel du véhicule et la liste des véhicules sur [www.axkid.com](http://www.axkid.com) pour trouver les places assises qui conviennent à ce siège auto.
- Axkid recommande de toujours utiliser une protection de siège pour protéger le siège de votre véhicule contre les rayures et la saleté.
- En cas de doute, contactez le revendeur chez lequel le siège auto a été acheté ou contactez [info@axkid.com](mailto:info@axkid.com)

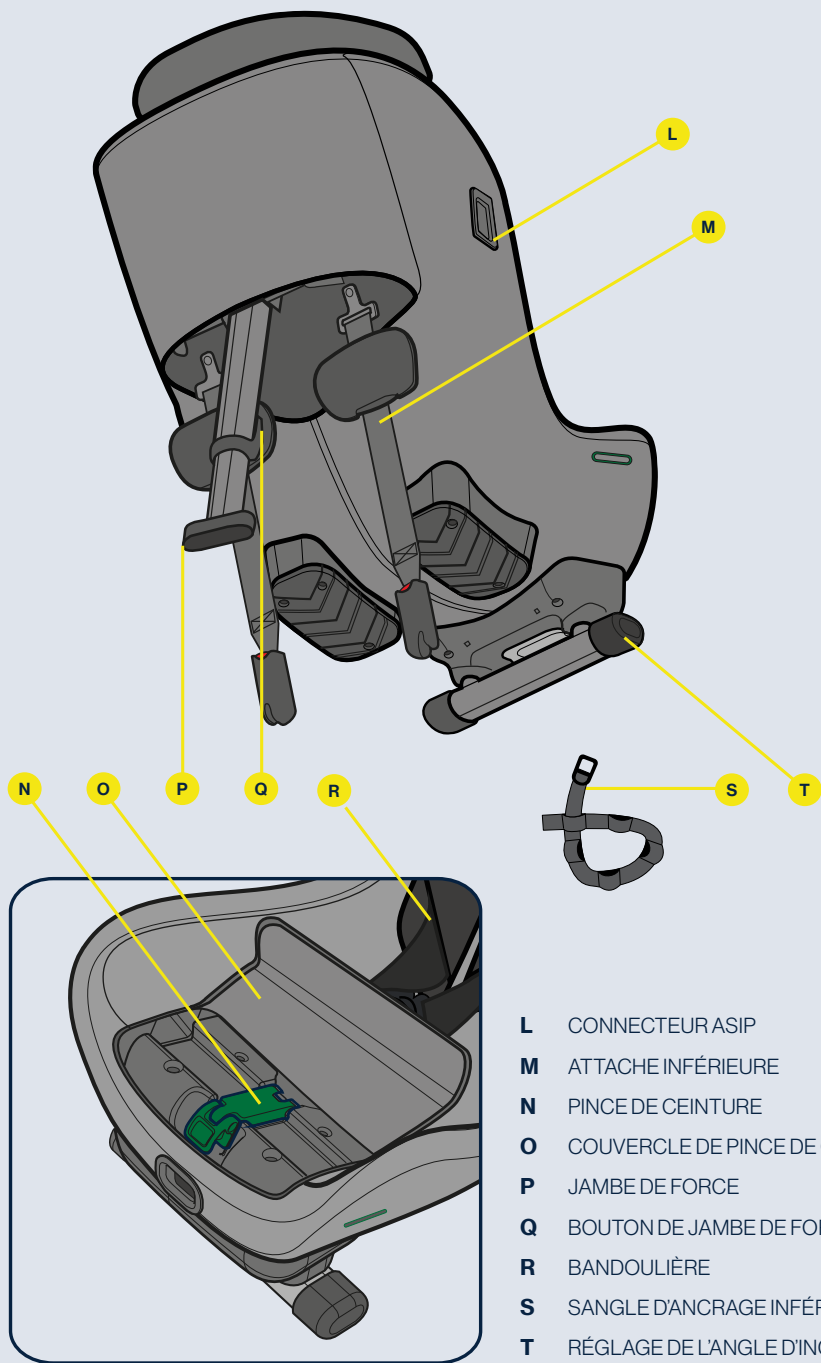
# Sommaire

Différentes parties	44
Positionnement autorisé et interdit du siège auto AXKID MINIKID 4	46
Points d'ancrage pour attaches inférieures	46
Installation de sangles d'ancrage pour attaches inférieures	47
Retenir votre enfant dans le siège auto AXKID MINIKID 4	49
Réglages de l'appui-tête	50
Retrait du siège auto AXKID MINIKID 4 du véhicule	50
Soin et entretien	51
Garantie	51

# Différentes parties





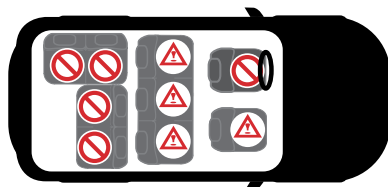




# Positionnement autorisé et interdit du siège auto AXKID MINIKID 4

Le siège auto AXKID MINIKID 4 ne peut être installé que dos à la route. Il s'adaptera à la plupart des places assises du véhicule. Consultez le manuel d'instructions de votre véhicule pour trouver les places assises appropriées et consultez la liste des véhicules sur [www.axkid.com](http://www.axkid.com).

Siège passager avant (sans airbag actif)	OUI/NON*
Siège passager avant (avec airbag actif)	NON
Siège passager arrière avec ceinture de sécurité 3 points	OUI
Siège avec ceinture de sécurité à 2 points	NON
Sièges latéraux et tournés vers l'arrière	NON



**IMPORTANT :** Si vous souhaitez installer votre siège AXKID MINIKID 4 à une place où un airbag frontal est installé, l'airbag doit être déconnecté conformément aux instructions du constructeur de votre véhicule. Notez que pour certains véhicules il est nécessaire de s'adresser à un centre de service agréé qui se chargera de déconnecter l'airbag.

\* Le Règlement général de la circulation en Espagne, dans son article 117, interdit de conduire avec des enfants de stature égale ou inférieure à 135 centimètres installés sur les sièges avant du véhicule, sans la moindre exception.



## Points d'ancrage pour attaches inférieures

### Informations importantes

Les ancrages pour attaches inférieures (LTA) sont utilisés pour améliorer la protection des enfants dans les voitures en fournissant une installation ferme et stable pour les sièges auto dos à la route attachés à l'aide de la ceinture de sécurité du véhicule. Cela augmente la sécurité de votre enfant dans tous les types de collisions, y compris les accidents avec renversement/tonneaux et les impacts par l'arrière.

Les attaches inférieures sont une méthode bien établie qui est largement utilisée dans les pays nordiques depuis plus de 40 ans. En 2020, une nouvelle norme internationale pour LTA, ISO13216-4:2020, a été publiée. Cette norme décrit les exigences relatives aux attaches inférieures pour les sièges auto, mais aussi pour les constructeurs de véhicules et leurs points d'ancrage. L'objectif est d'améliorer la compatibilité et d'assurer un moyen sûr et facile d'installation pour l'avenir.

Les attaches inférieures AXKID MINIKID 4 sont conformes à la norme ISO13216-4:2020, assurant un ajustement parfait et une installation facile dans les véhicules dotés de points d'ancrages pour attaches inférieures, préinstallés, qui sont également conformes à cette norme. Si votre véhicule a des points d'ancrage qui ne sont pas conformes à la norme, les attaches inférieures du siège AXKID MINIKID 4 sont toujours susceptibles, mais non garanties, de s'adapter.

Les points d'ancrages pour les attaches inférieures qui sont préinstallés dans les véhicules, se trouvent souvent sur les rails de siège fixés au sol, mais d'autres positions sont également utilisées. Consultez le manuel d'instructions de votre véhicule pour plus d'informations sur les points d'ancrage utilisables.

Si votre véhicule n'est pas pré-équipé de points d'ancrages pour attaches inférieure appropriés, AXKID MINIKID 4 est livré avec des sangles d'ancrage pour attaches inférieures (S) qui peuvent être installées dans votre véhicule. Consultez ce manuel pour obtenir des instructions d'installation. Ces sangles sont également conformes à la norme ISO13216-4:2020 et, lorsqu'elles sont installées correctement, elles offrent la même sécurité que points d'ancrage préinstallés.

Certains constructeurs de véhicules offrent également la possibilité de moderniser les points d'ancrages pour attaches inférieures. Contactez le fabricant ou le concessionnaire de votre véhicule pour plus d'informations. Axkid dispose d'anneaux et de sangles d'ancrage pour attaches inférieures qui peuvent être achetés séparément.

**Nota :** N'utilisez jamais AXKID MINIKID 4 sans les attaches inférieures. Elles représentent une caractéristique de sécurité importante et doivent toujours être utilisés lors de l'installation de votre siège auto.

# Installation de sangles d'ancrage pour attaches inférieures

Si votre véhicule n'a pas de points d'ancrages bas préinstallés, appropriés pour les attaches inférieures du siège, AXKID MINIKID 4 est livré avec des sangles d'ancrage pour attaches inférieures qui peuvent être installées dans votre véhicule. Selon votre véhicule et la position du siège où vous choisissez d'installer votre siège auto, il existe différents points d'ancrage possibles à utiliser pour installer les sangles d'ancrage. Voir ci-dessous pour les alternatives.

Pour installer les sangles d'ancrage (S), il suffit d'acheminer la sangle autour du point d'ancrage choisi et d'enfiler la partie métallique à travers l'une des fentes de la sangle elle-même. La sangle d'ancrage a plusieurs fentes pouvant être utilisées. Prenez soin d'utiliser la fente qui se trouve au plus près de la partie métallique, afin que cet ancrage métallique soit le plus près possible du plancher du véhicule. Une fois que c'est fait, tirez sur la partie métallique pour resserrer la sangle et répétez le processus pour l'autre sangle. Utilisez toujours deux points d'ancrage lors de l'installation d'AXKID MINIKID 4 et choisissez des points d'ancrage séparés, car cela assure une installation plus stable.

## Options pour le passage de la sangle d'ancrage

alt. **a** Acheminez la sangle autour du bord du point d'ancrage préinstallé (utilisez cette méthode uniquement si les ancrages préinstallés ne s'adaptent pas directement aux attaches inférieures du siège)

alt. **b** Installez la sangle autour du rail du siège du véhicule situé devant le siège auto en passant la sangle entre le rail du siège et le plancher du véhicule ou à travers un trou approprié sur le rail du siège.

alt. **c** Installez la sangle autour de la charnière du siège du véhicule situé devant le siège auto en passant la sangle entre le dossier et l'assise du siège.

alt. **d** Installez la sangle autour du rail situé sous le siège sur lequel se trouve le siège auto en passant la sangle entre le rail du siège et le plancher du véhicule ou à travers un trou approprié sur le rail du siège.

alt. **e** Lors de l'installation de l'AXKID MINIKID 4 sur un siège passager avant et si aucune des alternatives ci-dessus n'est possible, vous pouvez fixer les sangles d'ancrage à un point d'ancrage approprié à l'arrière du véhicule et passer les sangles sous le siège du véhicule vers l'avant du véhicule. Assurez-vous que les sangles d'ancrage sortent de l'avant du siège et non des côtés.

**Nota** : Assurez-vous toujours que le changement de position de n'importe quel siège de véhicule n'interfère pas avec les sangles d'ancrage en place et ne les endommage pas.

**Note** : N'utilisez jamais d'objets tranchants pour vous aider à passer les sangles, car cela pourrait endommager la sangle.



# Installation du siège auto AXKID MINIKID 4 dans le véhicule

Avant d'installer AXKID MINIKID 4, assurez-vous d'avoir des points d'ancrages dans votre véhicule pour les attaches inférieures du siège auto. Reportez-vous à la section sur les ancrages pour les attaches inférieures dans ce manuel pour plus d'informations et des instructions d'installation.

1

Dézippez la fermeture à glissière et ouvrez le couvercle de la pince de ceinture (O)

2

Placez l'AXKID MINIKID 4 sur le siège du véhicule avec l'arrière du siège auto face à l'avant du véhicule. Ajustez l'espace pour les jambes de votre enfant en déplaçant simplement le siège auto d'avant en arrière sur le siège du véhicule.

AXKID MINIKID 4 peut être installé au plus près du dossier du siège du véhicule, ou plus éloigné mais ne peut jamais être installé avec le talon (J) suspendu au-dessus du bord du siège du véhicule. Assurez-vous que la ligne verticale (K) sur le talon (J) ne dépasse jamais le bord du siège du véhicule.

Ajustez l'angle du siège auto en appuyant sur le levier de réglage de l'inclinaison (G) et sélectionnez une position d'inclinaison appropriée. Pour une sécurité maximale, choisissez une position aussi droite que possible tout en veillant à ce que la tête de votre enfant ne tombe pas vers l'avant pendant son sommeil. Pour des raisons de confort et de sécurité, l'angle d'inclinaison doit être ajusté à une position plus verticale à mesure que votre enfant grandit. Notez que lors du serrage des attaches inférieures (M), le siège auto gagnera en inclinaison car il s'enfoncera dans le coussin du siège du véhicule. Lors de l'installation d'AXKID MINIKID 4 sur un siège passager avant, il est possible, mais pas nécessaire, que l'arrière du siège auto soit en contact avec le tableau de bord.

3

Ouvrez la pince de ceinture (N). Tirez la ceinture de sécurité pour avoir une longueur à peu près longue comme le bras et passez la dans la fente de ceinture de sécurité (D) la plus proche de vous. Faites passer la ceinture à travers la pince de ceinture (N) puis dans la fente de ceinture de sécurité (D) du côté opposé. Connectez la ceinture de sécurité du véhicule à la boucle de la ceinture de sécurité et tirez fort sur la partie d'épaule de la ceinture de sécurité du véhicule pour enlever le mou et pour attacher le siège auto, plus vous tirez fort, plus l'installation est ferme. Lorsque le siège auto est fermement fixé, fermez la pince de ceinture (N) pour verrouiller la ceinture de sécurité du véhicule en position. Assurez-vous que les 2 pans de ceinture, la partie qui passe sur l'épaule et la ceinture sous-abdominale, sont verrouillés ensemble dans la pince de ceinture (N). Fermez le couvercle de la pince de ceinture (O) et fermez la fermeture à glissière. Pour créer une installation encore plus ferme et stable, appuyez sur le siège auto tout en tirant sur la ceinture d'épaule.

4

Tirez sur les attaches inférieures (M) du siège d'auto et connectez-les aux points d'ancrages de votre véhicule, voir la section sur les points d'ancrages pour les attaches inférieures dans ce manuel pour plus d'informations. Appuyez sur le dessus du siège auto et remuez le d'un côté à l'autre, les attaches inférieures auto-serrantes du AXKID MINIKID 4 (M) seront automatiquement tendues. En tendant les attaches inférieures (M), vous réglez également l'angle d'inclinaison final du siège auto. Continuez à appuyer sur le siège auto jusqu'à ce qu'il soit fermement fixé et que vous ayez obtenu un angle d'inclinaison approprié. Vérifiez que la ligne blanche sur la ceinture d'attache inférieure est visible. Sinon cela signifie que les ancrages inférieurs de l'attache sont trop proches du siège auto et doivent être ajustés. Si ce n'est pas possible, vous pouvez également faire passer les attaches inférieures derrière le siège pour obtenir un peu plus de distance.

5

Tirez la jambe de force (P) du siège auto. Appuyez sur le bouton de la jambe de force (Q) et tirez la jambe de force (P) vers le bas jusqu'à ce qu'elle soit en contact avec le plancher du véhicule. Lâchez le bouton de la jambe de force (Q) et soulevez le siège auto vers le haut pour étendre davantage la jambe de force (P) jusqu'à ce que vous entendiez un clic. La jambe de force (P) doit maintenant être verrouillée et fermement appuyée contre le plancher du véhicule. Assurez-vous que la jambe de force (P) est inclinée d'environ 10° vers l'avant du véhicule. Vérifiez à nouveau la ceinture de sécurité du véhicule pour vous assurer qu'elle est toujours fermement tendue et qu'aucun relâchement ne s'est produit dans la ceinture de hanche lors de l'ajustement des attaches inférieures et de la jambe de force. Si la ceinture du véhicule n'est plus aussi tendue, il suffit de la resserrer en répétant l'étape 2 de ce guide sans déconnecter les attaches inférieures.

6

Poussez le coussin ASIP (I) dans les fentes du connecteur ASIP (L) et glissez le vers le bas, vous entendrez alors un clic qui vous indiquera que le coussin ASIP (I) est en place. S'il y a un couvercle en plastique sur le connecteur ASIP (L), retirez-le et placez-le sur le connecteur ASIP (L) du côté opposé du siège avant de raccorder le coussin ASIP (I). Assurez-vous que le coussin ASIP (I) est fixé sur le côté du siège MINIKID 4 3 le plus proche de la portière du véhicule.



# Retenir votre enfant dans le siège auto AXKID MINIKID 4

Avant de retenir votre enfant dans le siège auto AXKID MINIKID 4, assurez-vous d'avoir le bon réducteur installé dans le siège. AXKID MINIKID 4 est conçu pour grandir avec votre enfant et pour permettre un ajustement confortable et sûr pour les enfants. Axkid recommande d'utiliser le réducteur jusqu'à ce qu'il soit trop serré pour votre enfant, mais jusqu'à une taille minimale selon le tableau ci-dessous (notez que l'âge n'est qu'indicatif) :

Âge	Taille	
Bambin 0-3 ans	61– 105 cm	
Enfant 3-7 ans	106– 125 cm	

L'AXKID MINIKID 4 est équipé d'un appui-tête automatique (A) qui s'abaisse à la bonne position lorsque l'on serre le harnais. Pour assurer le meilleur ajustement, Axkid recommande d'utiliser cette fonctionnalité chaque fois que vous installez votre enfant. Avant de placer votre enfant dans le siège auto, assurez-vous que l'appui-tête automatique (A) est en position déverrouillée. Voir la section Réglage de l'appui-tête (A) pour plus d'informations.

**7**

Assurez-vous que le levier de frein de l'appui-tête (H) est réglé sur «déverrouillé». S'il est verrouillé, poussez le levier sur la position déverrouillée.

**8**

Desserrez le harnais en appuyant sur le bouton de déverrouillage du harnais (E) et tirez sur les deux bretelles (R) en même temps. Évitez de ne tirer qu'une seule sangle à la fois, car cela pourrait rendre les bretelles (R) inégales. Assurez-vous que l'appui-tête (A) est remonté vers le haut au maximum.

**9**

Déverrouillez la boucle en appuyant sur le bouton de déverrouillage de la boucle (E) et placez les bretelles à l'extérieur du siège.

**10**

Installez votre enfant dans le siège et placez les bretelles (R) sur les épaules de votre enfant. Verrouillez le harnais en positionnant d'abord les parties de la boucle qui sont attachées aux bretelles (R) ensemble, puis poussez-les dans la boucle jusqu'à ce que vous entendiez un clic.

**11**

Tirez sur les bretelles (R) pour resserrer le harnais sur les hanches de votre enfant. Tout en maintenant la tension dans les bretelles (R), tirez la sangle de serrage du harnais (F) directement du siège auto jusqu'à ce que le harnais soit suffisamment serré, vous ne devriez pas pouvoir passer plus d'un doigt entre les bretelles (R) et les épaules de votre enfant. Lors du serrage du harnais, l'appui-tête (A) se déplacera automatiquement vers le bas dans la bonne position pour votre enfant.



# Réglage de l'appui-tête

L'AXKID MINIKID 4 est équipé d'un appui-tête automatique (A) qui garantira que l'appui-tête (A) est toujours dans la meilleure position pour votre enfant. Lorsque le harnais est serré, l'appui-tête (A) s'abaisse à la bonne hauteur et se verrouille automatiquement en position. Lors du desserrage du harnais, l'appui-tête (A) remontera à sa position supérieure et se déverrouillera. Pour assurer le meilleur ajustement, Axkid recommande d'utiliser cette fonctionnalité chaque fois que vous installez votre enfant.

L'appui-tête (A) ne se déverrouille que dans sa position supérieure. Il est donc important de s'assurer que l'appui-tête (A) remonte jusqu'en haut lors du desserrage du harnais, sinon l'appui-tête (A) restera verrouillé et ne descendra pas lors de la tension du harnais.

Si vous souhaitez désactiver la fonction de réglage automatique et maintenir l'appui-tête (A) dans une position fixe, placez l'appui-tête (A) dans la position souhaitée et mettez le levier de frein de l'appui-tête (H) en position verrouillée. L'appui-tête (A) est maintenant verrouillé en hauteur et ne bougera pas tant que vous n'aurez pas remis le levier de frein de l'appui-tête (H) en position déverrouillée.

Lorsque vous utilisez votre AXKID MINIKID 4 avec l'appui-tête (A) en position fixe, assurez-vous que l'appui-tête (A) est positionné à la bonne hauteur pour votre enfant. Vérifiez que les bretelles (R) démarrent au niveau des épaules de votre enfant ou au maximum 1 cm au-dessus. Sinon, réglez l'appui-tête (A) en basculant le levier de frein de l'appui-tête (H) en position déverrouillée et poussez l'appui-tête (A) en position supérieure pour le déverrouiller, puis répétez la procédure.



# Retrait du siège auto AXKID MINIKID 4 du véhicule

- Dézippez la fermeture et ouvrez le couvercle de la pince de ceinture (O) Déverrouillez la ceinture de sécurité du véhicule en appuyant sur le bouton rouge de la boucle de la ceinture de sécurité Ouvrez la pince de ceinture (N) et tirez la ceinture de sécurité du véhicule et guidez-la à travers les fentes de ceinture de sécurité (D) pour la retirer du siège auto
- Déverrouillez les attaches inférieures (M) en maintenant les connecteurs avec votre main et en appuyant sur le bouton rouge avec votre pouce. Tout en gardant le connecteur dans votre main, faites le rentrer lentement dans le siège auto. Veillez à ne pas lâcher le connecteur d'attache inférieure, car il se rétractera automatiquement à grande vitesse.
- Appuyez sur le bouton de la jambe de force (Q) et raccourcissez la jambe de force (P) à sa position la plus courte.
- Appuyez sur le bouton de réglage de l'inclinaison (G) et faites rentrer le pied de réglage de l'angle d'inclinaison (T) pour redresser le siège au maximum. Soulevez l'AXKID MINIKID 4 hors du véhicule

**Conseil :** Verrouillez la boucle du harnais et serrez le harnais avant de retirer le siège auto du véhicule. Vous pouvez ensuite utiliser les bretelles (R) comme poignées de transport, ce qui facilite le levage du siège auto et son transport à l'extérieur du véhicule.

**Important :** Ne portez jamais le siège en tenant l'appui-tête (A).

## Reciclaje de su asiento para el automóvil.



Axkid recommande fortement le recyclage des vieux sièges d'auto. Avant de laisser le siège à votre station de recyclage locale, coupez les sangles du harnais du siège, retirez la housse textile, retirez autant de pièces en polystyrène que possible, séparez les pièces en métal et en plastique si possible. La partie principale du siège doit être marquée comme dangereuse ou périmée (utilisez un marqueur) pour dissuader quiconque de l'utiliser à nouveau. Veuillez vérifier vos directives municipales locales pour les instructions de recyclage pour les différents matériaux.

# Soin et entretien

La housse textile du siège peut être lavée en machine à 30 °C sur un cycle doux. Ne passez pas la housse au sèche-linge, car cela pourrait l'endommager et le rembourrage pourrait se détacher du tissu. Consultez [www.axkid.com](http://www.axkid.com) pour obtenir des vidéos expliquant comment retirer et fixer la housse.

## Retirez la housse textile:

- Retirez le coussin ASIP (I) s'il est fixé.
- Réglez le levier de frein automatique de l'appui-tête (H) sur la position déverrouillée et desserrez le harnais en appuyant sur le bouton de déverrouillage du harnais (E) et tirez sur les deux bretelles (R) en même temps.
- Dézippez les deux fermetures sur la face inférieure de l'appui-tête (A) et retirez soigneusement la housse de l'appui-tête (A).
- Baissez l'appui-tête (A) sur la position la plus basse et mettez le levier de frein automatique de l'appui-tête (H) en position verrouillée.
- Déverrouillez la boucle du harnais en appuyant sur le bouton de déverrouillage de la boucle (C) et retirez la housse de la boucle.
- Dézippez la fermeture et ouvrez le couvercle de la pince de ceinture (O) et sortez le couvercle en plastique (O) de la housse textile.
- Dézippez la fermeture sous le siège auto et ouvrez les 4 boutons de la housse textile à l'arrière du siège auto.
- Dézippez les deux fermetures au niveau du dossier à l'intérieur du siège auto et retirez doucement la housse textile du siège auto. Faites attention autour du coussin ASIP et des autres couvercles en plastique pour ne pas endommager le textile, ne tirez pas vigoureusement.
- Ouvrez les épaulettes et retirez-les doucement du velcro.

## Installez la housse textile

- Inversez les étapes de l'instruction ci-dessus pour réinstaller la housse textile sur le siège auto.
- Notez que les épaulettes peuvent être installées sur différentes positions. Installez-les dans une position adaptée à votre enfant ; les épaulettes doivent être positionnées sur le dessus de l'épaule et sur la poitrine de votre enfant. Assurez-vous également que la face en caoutchouc de l'épaulette soit contre la poitrine de votre enfant.

Si la housse du siège a besoin d'être remplacée, assurez-vous que seuls des produits Axkid d'origine sont utilisés. Si d'autres produits sont utilisés, le système de sécurité du siège AXKID MINIKID 4 peut être compromis et provoquer des blessures graves en cas d'accident.

Toutes les pièces en plastique du siège AXKID MINIKID 4 peuvent être nettoyées avec un détergent doux et de l'eau. N'utilisez pas de produits chimiques agressifs contenant des solvants, etc., car ils peuvent endommager le plastique et compromettre la sécurité du siège auto.

# Garantie

Le siège AXKID MINIKID 4 est couvert par une garantie de 24 mois à compter de la date d'achat. Conservez votre reçu et apportez-le à votre lieu d'achat pour toute question ou réclamation relative à la garantie.

- Usure normale
- Dommages dus à une mauvaise utilisation, une négligence ou un accident
- Des réparations effectuées par une tierce partie
- Tous les matériaux utilisés ont une très haute résistance aux UV. Cependant, la lumière UV est très agressive et va inévitablement conduire à une décoloration de la housse du siège. Cette décoloration n'est pas couverte par notre garantie car elle est considérée comme une usure normale.
- Manipulez le siège avec soin. Ne portez jamais le siège en le tenant par l'appui-tête (A).

# Grazie per aver scelto AXKID MINIKID 4

Leggere il presente manuale di istruzioni d'uso prima di montare il seggiolino per auto AXKID MINIKID 4 nel veicolo. Maggiori informazioni e i video per l'installazione sono disponibili sul sito [www.axkid.com](http://www.axkid.com).

**AXKID MINIKID 4** è un seggiolino per auto che si monta rivolto in direzione opposta al senso di marcia ed è omologato per bambini di altezza compresa tra 61 e 125 cm, ≤36 kg

AXKID MINIKID 4 è adatto per bambini di circa sei mesi di età o che possono stare seduti senza supporto. Si tratta di un avanzato sistema di ritenuta per bambini con cintura integrato, specifico per veicoli. È approvato ai sensi della normativa UN n. 129 per l'utilizzo in sedili compatibili, come indicato nell'elenco dei veicoli. In caso di dubbi, consultare il produttore del sistema di ritenuta per bambini avanzato ([www.axkid.com](http://www.axkid.com)) o il rivenditore.

## Informazioni importanti

Per la massima sicurezza del bambino, è importante ricordare quanto segue:

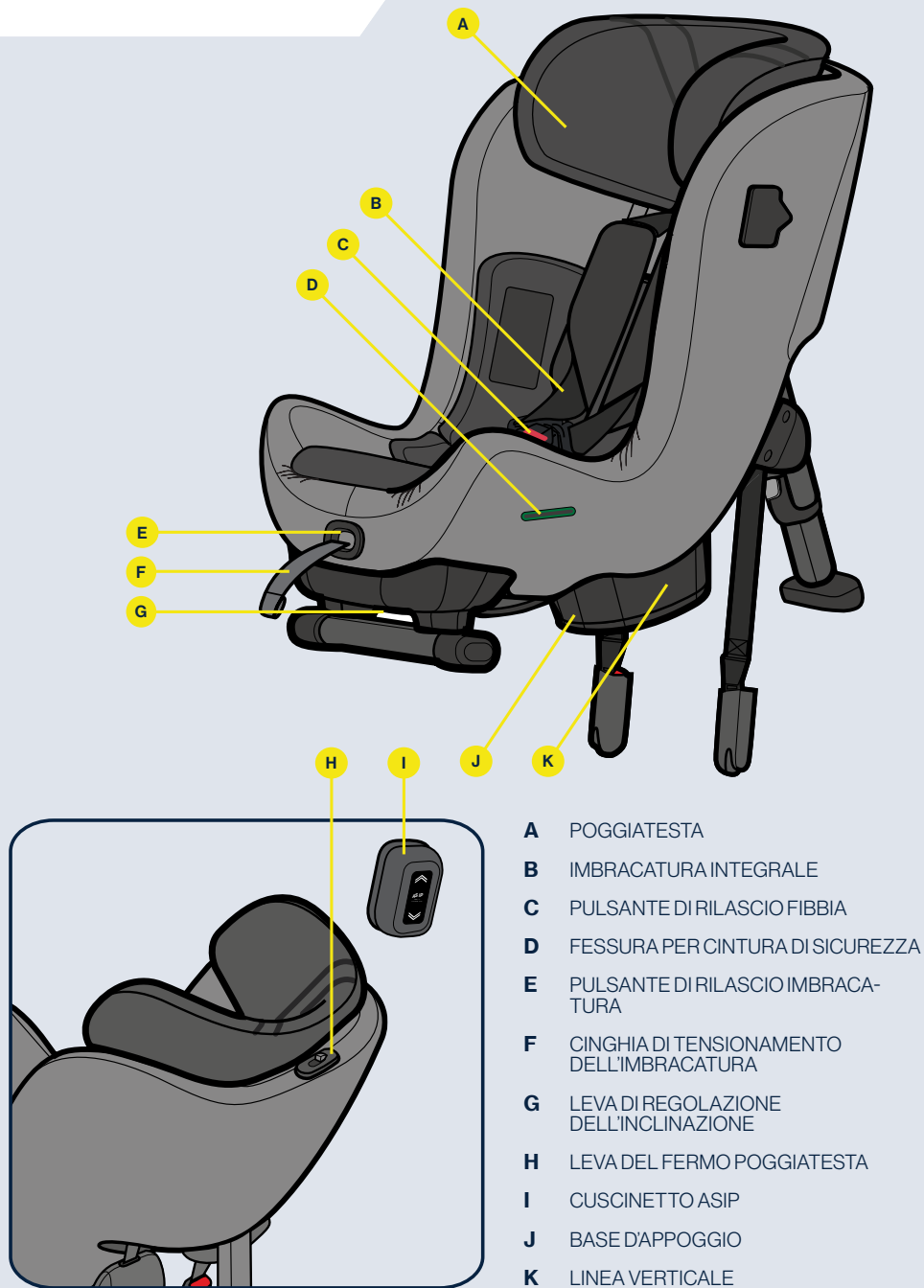
- Attenersi sempre alle istruzioni nel presente manuale. Un'installazione non corretta può compromettere seriamente la sicurezza del bambino. In caso di dubbi rivolgersi al rivenditore, che può illustrare la procedura di installazione corretta.
- Conservare il presente manuale di istruzioni d'uso per consultazioni future. In caso di smarrimento, il manuale è disponibile online su [www.axkid.com](http://www.axkid.com)
- Non collocare il seggiolino auto AXKID MINIKID 4 in un sedile dotato di airbag frontale attivo. Se si desidera collocare comunque il seggiolino auto AXKID MINIKID 4 in questa posizione, disattivare l'airbag seguendo le istruzioni del produttore del veicolo.
- Il seggiolino auto deve sempre essere sostituito in caso di incidente, anche se di lieve entità. Potrebbe presentare danni non visibili e compromettere seriamente la sicurezza del bambino. Per questo motivo, Axkid consiglia di non acquistare seggiolini auto usati.
- Se il seggiolino auto AXKID MINIKID 4 è stato esposto alla luce solare diretta, assicurarsi che non sia troppo caldo prima di collocarvi il bambino.
- Non lasciare mai il bambino da solo nel veicolo.
- Fissare sempre eventuali bagagli o altri oggetti liberi nel veicolo, poiché potrebbero ferire i passeggeri in caso di incidente.
- Installare sempre il seggiolino auto AXKID MINIKID 4 in modo che nessuna parte possa essere pizzicata da sedili scorrevoli, portiere ecc.
- Se si utilizzano cinghie di ancoraggio inferiori, assicurarsi che siano montate in modo da non interferire con il movimento dei sedili del veicolo.
- Il seggiolino auto AXKID MINIKID 4 si può montare solo rivolto in direzione opposta al senso di marcia.
- Verificare sempre che l'imbracatura sia regolata per adattarsi correttamente al corpo del bambino. L'imbracatura si regola spostando il poggiatesta.
- Quando si assicura il bambino con l'imbracatura, verificare che la sua schiena sia perfettamente a contatto con il seggiolino.
- Assicurarsi sempre che l'imbracatura sia ben stretta e che la fibbia sia completamente bloccata, ovvero le cinghie siano perfettamente tirate.
- Assicurarsi che l'imbracatura non sia attorcigliata.
- Assicurarsi sempre che l'asta di supporto sia nella posizione corretta e a contatto con il pianale del veicolo. L'asta di supporto è una caratteristica di sicurezza molto importante, concepita per aumentare al massimo la sicurezza del bambino in caso di incidente.
- Non provare a smontare o modificare nessun componente del seggiolino auto AXKID MINIKID 4. In caso contrario, la garanzia e le prestazioni di sicurezza del seggiolino auto Axkid potrebbero risultare compromesse.
- Non utilizzare in nessun caso il seggiolino auto AXKID MINIKID 4 senza il suo rivestimento in tessuto. Il rivestimento in tessuto del seggiolino è una caratteristica di sicurezza e deve essere sostituito esclusivamente con un rivestimento in tessuto Axkid originale.
- Consultare il manuale del veicolo e l'elenco dei veicoli su [www.axkid.com](http://www.axkid.com) per identificare i sedili idonei per questo seggiolino auto
- Axkid consiglia di utilizzare sempre una protezione per il sedile del veicolo per evitare graffi e macchie.
- Per eventuali dubbi, contattare il rivenditore del seggiolino auto o scrivere all'indirizzo [info@axkid.com](mailto:info@axkid.com)

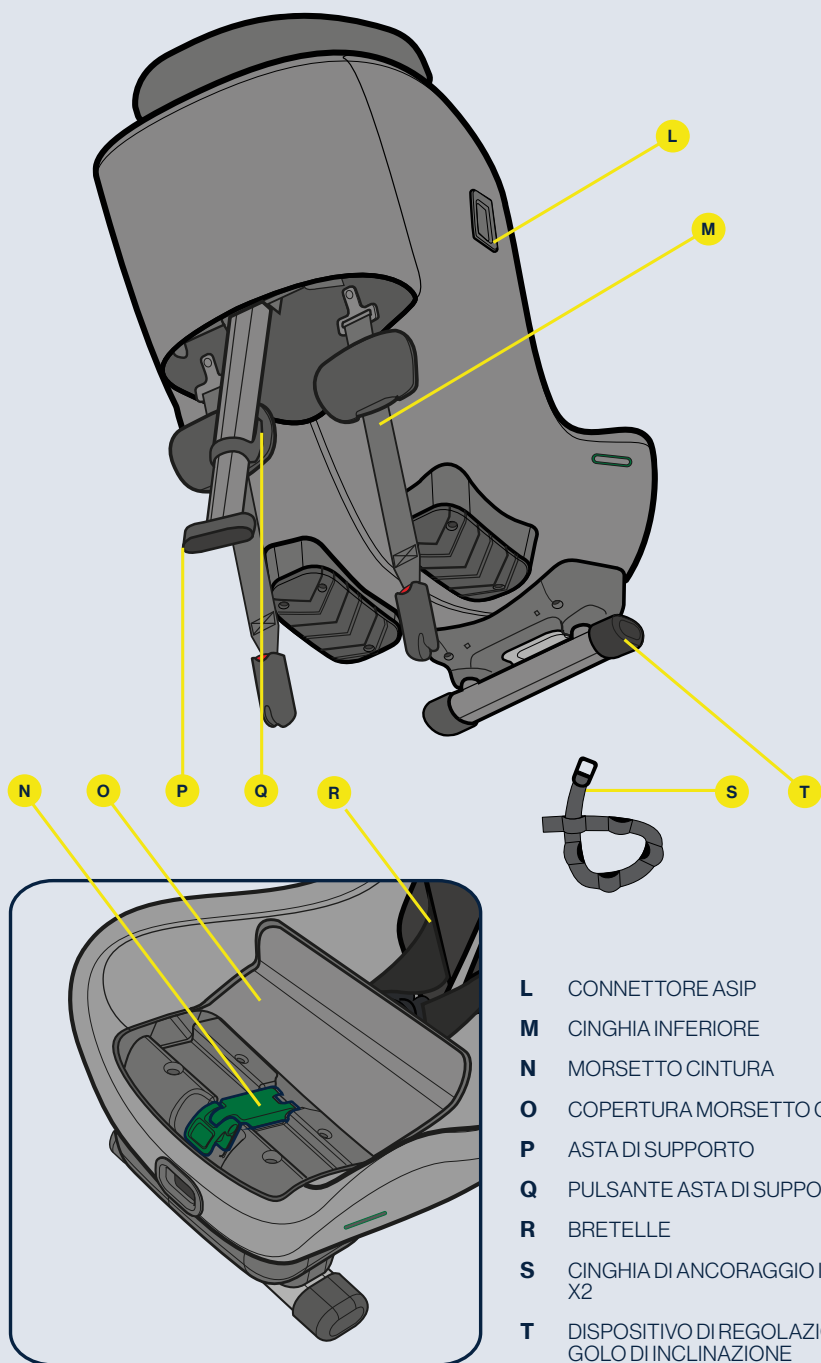


# Indice

Componenti	54
Posizione consentita e non consentita per il seggiolino auto AXKID MINIKID 4	56
Ancoraggi per le cinghie inferiori	56
Montaggio delle cinghie di ancoraggio inferiori	57
Assicurare il bambino nel seggiolino auto AXKID MINIKID 4	59
Regolazioni del poggiatesta	60
Rimozione del seggiolino auto AXKID MINIKID 4 dal veicolo	60
Cura e manutenzione	61
Garanzia	61

# Componenti





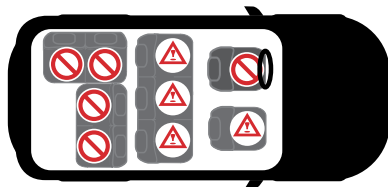
- L** CONNETTORE ASIP
- M** CINGHIA INFERIORE
- N** MORSETTO CINTURA
- O** COPERTURA MORSETTO CINTURA
- P** ASTA DI SUPPORTO
- Q** PULSANTE ASTA DI SUPPORTO
- R** BRETELLE
- S** CINGHIA DI ANCORAGGIO INFERIORE X2
- T** DISPOSITIVO DI REGOLAZIONE ANGOLO DI INCLINAZIONE



# Posizione consentita e non consentita per il seggiolino auto AXKID MINIKID 4

Il seggiolino auto AXKID MINIKID 4 si può montare solo rivolto in direzione opposta al senso di marcia. Il seggiolino è adatto per la maggior parte dei sedili, ma non per tutti. Consultare il manuale di istruzioni del veicolo per identificare i sedili adatti e l'elenco dei veicoli su [www.axkid.com](http://www.axkid.com)

Sedile passeggero anteriore (senza airbag attivo)	SI/NO*
Sedile passeggero anteriore (con airbag attivo)	NO
Sedile passeggero posteriore con cintura di sicurezza a 3 punti	SÌ
Sedile con cintura di sicurezza a 2 punti	NO
Sedili rivolti lateralmente e all'indietro	NO



**IMPORTANTE:** Se si desidera montare il seggiolino AXKID MINIKID 4 in un sedile dotato di airbag frontale, l'airbag deve essere disattivato seguendo le istruzioni del produttore del veicolo. Si ricorda che per disattivare l'airbag in alcuni veicoli è necessario rivolgersi a un centro di assistenza.

\* L'articolo 117 del Regolamento Generale sulla Circolazione in Spagna vieta di viaggiare in auto con bambini di altezza pari a 135 centimetri o inferiore sui sedili anteriori del veicolo, senza eccezioni di sorta.



## Ancoraggi per le cinghie inferiori Informazioni importanti

Gli ancoraggi per le cinghie inferiori (LTA) servono ad assicurare maggiore protezione per i bambini, poiché consentono il posizionamento saldo e stabile del seggiolino rivolto in direzione opposta al senso di marcia con cintura estesa. Ciò aumenta la sicurezza dei bambini in tutti i tipi di incidenti, compresi il ribaltamento e il tamponamento.

Le cinghie inferiori sono un sistema ben consolidato e diffusamente utilizzato nei paesi nordici da oltre 40 anni. Nel 2020 è stata approvata una nuova normativa internazionale per le LTA, la ISO13216-4:2020. Questa normativa descrive i requisiti per le cinghie inferiori per i seggiolini auto ma anche per i produttori di veicoli e i relativi punti di ancoraggio. La normativa è finalizzata ad aumentare la compatibilità e garantire un'installazione facile e sicura, per il futuro.

Le cinghie inferiori di AXKID MINIKID 4 sono conformi alla normativa ISO13216-4:2020, quindi si adattano alla perfezione e si installano facilmente in veicoli dotati di ancoraggi inferiori preinstallati anch'essi conformi a questa normativa. Qualora il veicolo fosse dotato di punti di ancoraggio non conformi alla normativa, è comunque probabile, ma non garantito, che si possano comunque utilizzare le cinghie inferiori di AXKID MINIKID 4.

Gli ancoraggi inferiori preinstallati nei veicoli spesso sono collocati sulle guide del sedile e fissati al pianale, ma possono anche essere ubicati in altre posizioni. Per ulteriori informazioni sui punti di ancoraggio disponibili, consultare il manuale di istruzioni del veicolo. Se il veicolo non è dotato di ancoraggi per cinghie inferiori preinstallati, AXKID MINIKID 4 viene fornito dotato di cinghie di ancoraggio inferiori supplementari (S) che si possono montare nel veicolo. Per le istruzioni di montaggio, fare riferimento al presente manuale. Queste cinghie sono anche conformi alla normativa ISO13216-4:2020 e, se montate correttamente, offrono la stessa sicurezza degli ancoraggi preinstallati. Alcuni produttori di veicoli offrono anche la possibilità di installare gli ancoraggi inferiori in post-montaggio. Per maggiori informazioni, rivolgersi al produttore del veicolo o al rivenditore. Ancoraggi inferiori e cinghie di ancoraggio inferiori supplementari di Axkid si possono acquistare separatamente per l'installazione in post-montaggio.

**Nota:** Non utilizzare in nessun caso AXKID MINIKID 4 senza le cinghie inferiori. Queste cinghie sono una caratteristica di sicurezza importante e si devono sempre utilizzare per montare il seggiolino nel veicolo.

# Montaggio delle cinghie di ancoraggio inferiori

Se il veicolo non è dotato di ancoraggi per cinghie inferiori preinstallati adatti, AXKID MINIKID 4 viene fornito dotato di cinghie di ancoraggio inferiori che si possono montare nel veicolo. In base al veicolo e al sedile in cui si sceglie di collocare il seggiolino auto, sono disponibili vari possibili punti di ancoraggio per installare le cinghie di ancoraggio. Le varie opzioni sono riportate di seguito.

Per installare le cinghie di ancoraggio inferiori (S) basta far passare la cinghia attorno al punto di ancoraggio scelto e quindi l'ancoraggio in metallo attraverso una delle fessure della cinghia stessa. La cinghia di ancoraggio è dotata di varie fessure allo scopo. Assicurarsi di utilizzare la fessura più vicino all'ancoraggio in metallo per installarlo il più vicino possibile al pianale del veicolo. Dopodiché, tirare l'ancoraggio in metallo per tensionare la cinghia e ripetere la procedura per l'altra cinghia. Utilizzare sempre due punti di ancoraggio per installare AXKID MINIKID 4 e scegliere punti di ancoraggio separati per consentire un posizionamento più stabile.

## Opzioni per guidare la cinghia di ancoraggio in posizione

- alt. **a** Far passare la cinghia attorno al bordo dell'ancoraggio preinstallato (utilizzare questo metodo solo se gli ancoraggi preinstallati non si adattano direttamente alle cinghie inferiori)
- alt. **b** Far passare la cinghia attorno alla guida del sedile davanti al seggiolino infilandola tra la guida del sedile e il pianale del veicolo o nell'apposito foro della guida del sedile.
- alt. **c** Far passare la cinghia attorno alla cerniera del sedile del veicolo davanti al seggiolino infilandola tra lo schienale e la seduta del sedile.
- alt. **d** Far passare la cinghia attorno alla guida del sedile sotto il seggiolino infilandola tra la guida del sedile e il pianale del veicolo o nell'apposito foro della guida del sedile.
- alt. **e** Se si desidera installare AXKID MINIKID 4 sul sedile del passeggero anteriore ma nessuna delle alternative di cui sopra è praticabile, è possibile fissare le cinghie di ancoraggio inferiori a un punto di ancoraggio adatto nella parte posteriore del veicolo e farle passare sotto il sedile per fuoriuscire dalla parte anteriore dello stesso. Assicurarsi che le cinghie di ancoraggio fuoriescano dalla parte anteriore e non dai lati del sedile.

**Nota:** Verificare sempre che la posizione dei sedili, modificata per installare le cinghie di ancoraggio inferiori, non interferisca né danneggi le cinghie

**Nota:** Non utilizzare in nessun caso oggetti appuntiti per agevolare il posizionamento delle cinghie per evitare di danneggiarle.



# Montaggio del seggiolino auto AXKID MINIKID 4 nel veicolo

Prima di montare AXKID MINIKID 4, verificare se nel veicolo sono presenti gli ancoraggi inferiori. Per ulteriori informazioni e istruzioni per il montaggio, fare riferimento alla sezione dedicata agli ancoraggi per le cinghie inferiori nel presente manuale.

1

Aprire la cerniera e la copertura del morsetto della cintura (O)

2

Posizionare AXKID MINIKID 4 sul sedile del veicolo con lo schienale rivolto verso la parte anteriore del veicolo. Regolare lo spazio per le gambe del bambino semplicemente spostando il seggiolino avanti o indietro sul sedile del veicolo. AXKID MINIKID 4 si può collocare a contatto con lo schienale del sedile, ma non si può in nessun caso montare con la base di appoggio (J) sospesa oltre il bordo del sedile. Assicurarsi che la linea verticale (K) sulla base di appoggio (J) non superi il bordo del sedile.

Regolare l'inclinazione del seggiolino premendo l'apposita leva di regolazione (G) e scegliere una posizione reclinata confortevole. Per la massima sicurezza, scegliere la posizione più eretta possibile, che impedisca però alla testa del bambino di ricadere in avanti mentre dorme. Per motivi sia di comfort sia di sicurezza, l'angolo di inclinazione si dovrebbe ridurre man mano che il bambino cresce per assicurare sempre la posizione eretta più adeguata. Si ricorda che tensionando le cinghie inferiori (M), il seggiolino risulterà leggermente più inclinato poiché affonda nella seduta del sedile. Quando si installa AXKID MINIKID 4 sul sedile del passeggero anteriore può capitare che lo schienale del seggiolino sia a contatto con il cruscotto, ma non è una condizione indispensabile.

3

Aprire il morsetto della cintura (N). Estrarre la cintura di sicurezza del veicolo per la lunghezza di un braccio e farla passare attraverso la fessura della cintura di sicurezza (D) più vicina a sé. Far passare la cintura attraverso il morsetto della cintura (N) e quindi attraverso la fessura della cintura di sicurezza (D) sul lato opposto. Inserire la cintura di sicurezza nella fibbia della cintura e tirare con forza la sezione della spalla della cintura per eliminare completamente il gioco e fissare il seggiolino, maggiore è il tensionamento e più salda sarà l'installazione. Quando il seggiolino è saldamente fissato, chiudere il morsetto della cintura (N) e bloccarla in posizione. Assicurarsi che sia la fascia diagonale sia quella addominale siano bloccate insieme nel morsetto della cintura (N). Chiudere il coperchio del morsetto della cintura (O) e quindi la cerniera. Per un'installazione ancora più salda e stabile, premere sul seggiolino mentre si tira la fascia diagonale.

4

Tirare gli ancoraggi inferiori (M) del seggiolino e fissarli agli ancoraggi inferiori del veicolo. Per ulteriori informazioni, fare riferimento alla sezione dedicata agli ancoraggi inferiori nel presente manuale. Premere sulla parte superiore del seggiolino e muoverlo da un lato all'altro, così le cinghie inferiori auto-tensionanti di AXKID MINIKID 4 (M) verranno automaticamente tese. Tensionando le cinghie inferiori (M) si regola anche l'angolo di inclinazione definitivo del seggiolino. Continuare a premere sul seggiolino finché non è saldamente fissato e non si è ottenuto un angolo di inclinazione adeguato. Assicurarsi che il segno bianco sulla cinghia inferiore sia visibile. In caso contrario, gli ancoraggi inferiori sono troppo vicini al seggiolino e si devono regolare. Qualora ciò non fosse possibile, si possono anche incrociare le cinghie inferiori dietro il sedile per aumentare la distanza.

5

Estrarre l'asta di supporto (P) dal seggiolino. Premere il pulsante dell'asta di supporto (Q) e tirare l'asta (P) verso il basso finché non raggiunge il pianale del veicolo. Rilasciare il pulsante dell'asta di supporto (Q) e sollevare il seggiolino verso l'alto per estendere ulteriormente l'asta di supporto (P) fino a sentire un clic. L'asta di supporto (P) ora dovrebbe essere bloccata e saldamente a contatto con il pianale del veicolo. Assicurarsi che l'asta di supporto (P) sia angolata di circa 10° verso la parte anteriore del veicolo. Controllare di nuovo la cintura di sicurezza del veicolo per verificare che sia ancora ben tesa e che non si sia verificato nessun allentamento della cintura subadominale durante il tensionamento delle cinghie inferiori e dell'asta di supporto. Se la cintura del veicolo si è allentata, basta tensionarla nuovamente ripetendo il passaggio 2 di questa guida senza slacciare le cinghie inferiori.

6

Spingere il cuscinetto ASIP (I) nelle fessure sul connettore ASIP (L) e farlo scorrere verso il basso, per farlo scattare in posizione. Se è presente una copertura in plastica sul connettore ASIP (L), rimuoverla e posizionarla sul connettore ASIP (L) sul lato opposto del seggiolino prima di montare il cuscinetto ASIP (I). Montare il cuscinetto ASIP (I) sul lato del seggiolino AXKID MINIKID 4 più vicino alla portiera del veicolo.



# Assicurare il bambino nel seggiolino auto AXKID MINIKID 4

Prima di assicurare il bambino nel seggiolino AXKID MINIKID 4, verificare di aver installato la sagomatura corretta nel seggiolino. AXKID MINIKID 4 è progettato per crescere insieme ai bambini e per garantire una postura comoda e sicura. Axkid consiglia di utilizzare la sagomatura finché non è troppo stretta per il bambino, ma a una lunghezza minima in base alla tabella di seguito (si ricorda che l'età è semplicemente indicativa):

Età	Altezza	
Bambino piccolo 0-3 anni	61- 105 cm	
Bambino 3-7 anni	106- 125 cm	

AXKID MINIKID 4 è dotato di un poggiatesta automatico (A) che si abbassa nella posizione corretta quando l'imbracatura viene tesa. Per garantire la migliore postura, Axkid consiglia di utilizzare questa funzione ogni volta che si assicura il bambino nel seggiolino. Prima di sistemare il bambino nel seggiolino, assicurarsi che il poggiatesta automatico (A) sia in posizione sbloccata. Per ulteriori informazioni, fare riferimento alla sezione dedicata alla regolazione del poggiatesta (A).

**7**

Assicurarsi che la Leva del fermo del poggiatesta (H) sia in posizione sbloccata. In caso contrario, spingere la leva in posizione sbloccata.

**8**

Allentare l'imbracatura premendo l'apposito pulsante di rilascio (E) ed estrarre contemporaneamente entrambe le bretelle (R). Evitare di tirare una bretella alla volta, perché le bretelle (R) potrebbero risultare irregolari. Assicurarsi che il poggiatesta (A) sia collocato nella posizione più alta.

**9**

Sbloccare la fibbia dell'imbracatura premendo l'apposito pulsante di rilascio (E) e posizionare le bretelle all'esterno del seggiolino.

**10**

Posizionare il bambino nel seggiolino e collocare le bretelle (R) sopra la sue spalle. Bloccare l'imbracatura unendo prima le parti della fibbia sulle estremità delle bretelle (R) e quindi spingendole nella fibbia fino a sentire uno scatto.

**11**

Tirare le bretelle (R) per stringere l'imbracatura sui fianchi del bambino. Mantenendo in tensione le bretelle (R), tirare la cinghia di tensionamento dell'imbracatura (F) direttamente dal seggiolino, finché l'imbracatura non è sufficientemente tesa, ovvero è possibile inserire solo un dito tra le bretelle (R) e le spalle del bambino. Durante il tensionamento dell'imbracatura, il poggiatesta (A) si sposta automaticamente verso il basso nella posizione corretta per il bambino.



# Regolazione del poggiatesta

AXKID MINIKID 4 è dotato di un poggiatesta automatico (A) che garantisce che il poggiatesta (A) sia sempre nella posizione migliore per il bambino. Quando l'imbracatura viene tesa, il poggiatesta (A) si abbassa all'altezza giusta e si blocca automaticamente in posizione. Quando l'imbracatura viene allentata, il poggiatesta (A) torna nella posizione più alta e si sblocca. Per garantire la migliore postura, Axkid consiglia di utilizzare questa funzione ogni volta che si assicura il bambino nel seggiolino.

Il poggiatesta (A) si sblocca solo nella posizione più alta. Pertanto è importante assicurarsi che il poggiatesta (A) si sposti completamente nella posizione più alta quando si allenta l'imbracatura, altrimenti rimarrà bloccato e non si abbasserà quando l'imbracatura viene tesa.

Se si desidera disattivare la funzione di regolazione automatica e mantenere il poggiatesta (A) in una posizione fissa, collocarlo nella posizione desiderata e spostare la leva del fermo poggiatesta (H) in posizione di blocco. Il poggiatesta (A) ora è bloccato in altezza e non si muoverà finché la leva del fermo del poggiatesta (H) non viene spostata nella posizione di sblocco.

Quando si utilizza AXKID MINIKID 4 con il poggiatesta (A) in posizione fissa, verificare che sia posizionato all'altezza giusta per il bambino. Verificare che le bretelle (R) partano direttamente dalle spalle del bambino o al massimo 1 cm sopra. In caso contrario, regolare il poggiatesta (A) spostando la leva del fermo poggiatesta (H) in posizione di sblocco e spingere il poggiatesta (A) nella posizione più alta per sbloccarlo, quindi ripetere la procedura.



## Rimuovere il seggiolino auto AXKID MINIKID 4 dal veicolo

- Aprire la cerniera e la copertura del morsetto della cintura (O). Sbloccare la cintura di sicurezza del veicolo premendo il pulsante rosso sulla fibbia della cintura. Aprire il morsetto della cintura (N) e tirare la cintura di sicurezza del veicolo guidandola attraverso le fessure della cintura di sicurezza (D) per rimuoverla dal seggiolino.
- Sbloccare le cinghie inferiori (M) tenendo i connettori con una mano e premendo il pulsante rosso con il pollice. Tenendo il connettore in mano, guidarlo lentamente verso il seggiolino. Non lasciare andare il connettore della cinghia inferiore, poiché la cinghia si ritrarrebbe automaticamente a una notevole velocità.
- Premere il pulsante dell'asta di supporto (Q) e abbassare l'asta di supporto (P) nella posizione più retratta.
- Premere la leva di regolazione dell'inclinazione (G) e spingere il dispositivo di regolazione dell'angolo di inclinazione (T) nella posizione più corta. Estrarre AXKID MINIKID 4 dal veicolo.

**Consiglio:** Bloccare la fibbia dell'imbracatura e tendere l'imbracatura prima di rimuovere il seggiolino dal veicolo. In questo modo si possono utilizzare le bretelle (R) come maniglie per il trasporto, semplificando il sollevamento del seggiolino e la rimozione dal veicolo.

**Importante:** Non trasportare in nessun caso il seggiolino per il poggiatesta (A)



# Cura e manutenzione

Il rivestimento in tessuto del seggiolino si può lavare in lavatrice a 30° C con un programma delicato. Non asciugare il rivestimento in asciugatrice, in quanto potrebbe danneggiarsi e l'imbottitura potrebbe staccarsi dal tessuto. Sul sito [www.axkid.com](http://www.axkid.com) sono disponibili video che mostrano le procedure per rimuovere e riposizionare il rivestimento.

## Rimuovere il rivestimento in tessuto:

- Rimuovere il cuscinetto ASIP (I), se montato.
- Spostare la leva del fermo automatico del poggiatesta (H) in posizione di sblocco e allentare l'imbracatura premendo l'apposito pulsante di rilascio (E), quindi estrarre contemporaneamente entrambe le bretelle (R).
- Aprire le due cerniere sul lato inferiore del poggiatesta (A) e rimuovere delicatamente il suo rivestimento.
- Abbassare il poggiatesta (A) nella posizione più bassa e spostare la leva del suo fermo automatico (H) in posizione di blocco.
- Sbloccare la fibbia dell'imbracatura premendo l'apposito pulsante di rilascio (C) e rimuovere la copertura della fibbia.
- Aprire la cerniera e quindi la copertura del morsetto della cintura (O) e rimuovere la copertura in plastica (O) dal rivestimento in tessuto.
- Apri la cerniera sotto il seggiolino e quindi i 4 bottoni sul rivestimento in tessuto sul retro del seggiolino.
- Aprire le due cerniere sullo schienale all'interno del seggiolino auto e rimuovere delicatamente il rivestimento in tessuto dal seggiolino. Operare con attenzione attorno al cuscinetto ASIP e ad altre coperture in plastica per evitare di danneggiare il tessuto e non tirare con forza eccessiva.
- Aprire gli spillacci e rimuoverli delicatamente dal velcro.

## Inserire il rivestimento in tessuto

- Per inserire nuovamente il rivestimento in tessuto sul seggiolino, eseguire i passaggi precedenti in ordine inverso.
- Si ricorda che gli spillacci si possono collocare in posizioni diverse. Collocarli in una posizione adatta per il bambino; gli spillacci si dovrebbero posizionare sulla parte superiore della spalla e sul petto del bambino. Assicurarsi anche che il lato in gomma degli spillacci sia rivolto verso il petto del bambino.

Se è necessario sostituire il rivestimento in tessuto del seggiolino, utilizzare esclusivamente prodotti originali Axkid. L'utilizzo di altri prodotti potrebbe compromettere il sistema di sicurezza di AXKID MINIKID 4 e causare gravi lesioni personali in caso di incidente. Tutte le parti in plastica di AXKID MINIKID 4 si possono pulire con un detergente neutro e acqua. Non utilizzare sostanze chimiche aggressive contenenti solventi o simili, poiché potrebbero danneggiare la plastica e compromettere la sicurezza del seggiolino auto.

# Garanzia

AXKID MINIKID 4 è coperto da una garanzia di 24 mesi a partire dalla data di acquisto. Conservare sempre la ricevuta e consegnarla al punto di acquisto in caso di eventuali problemi in garanzia non coperti dalla garanzia.

- Normale usura
- Danni dovuti a uso improprio, negligenza o incidente
- Riparazioni effettuate da terzi
- Tutti i materiali utilizzati presentano un'altissima resistenza ai raggi UV. Tuttavia, i raggi UV sono estremamente aggressivi e comportano il graduale scolorimento del rivestimento del seggiolino. Tale scolorimento non è coperto da garanzia, in quanto è considerato normale usura.
- Maneggiare il seggiolino con cura. Non trasportare in nessun caso il seggiolino per il poggiatesta (A).

# Hartelijk dank voor uw aankoop van AXKID MINIKID 4

Lees deze handleiding voordat u het AXKID MINIKID 4 autostoeltje in uw auto installeert.  
Ga voor meer informatie en installatievideo's naar [www.axkid.com](http://www.axkid.com).

De **AXKID MINIKID 4** is een achterwaarts gericht autostoeltje dat is goedgekeurd voor kinderen met een lengte tussen 61-125 cm, ≤36 kg

AXKID MINIKID 4 is geschikt voor gebruik vanaf een leeftijd van ongeveer zes maanden of vanaf het moment dat uw kind zelfstandig kan zitten.

Dit is een integraal specifiek verbeterd kinderbeveiligingssysteem geschikt voor gebruik met de veiligheidsgordels van de auto. Het is goedgekeurd conform ECE R129 voor gebruik op compatibele zitplaatsen, zoals door de fabrikant aangegeven in de handleiding van de auto. Raadpleeg bij twijfel de fabrikant van het verbeterde kinderbeveiligingssysteem ([www.axkid.com](http://www.axkid.com)) of de verkoper.

## Belangrijke informatie

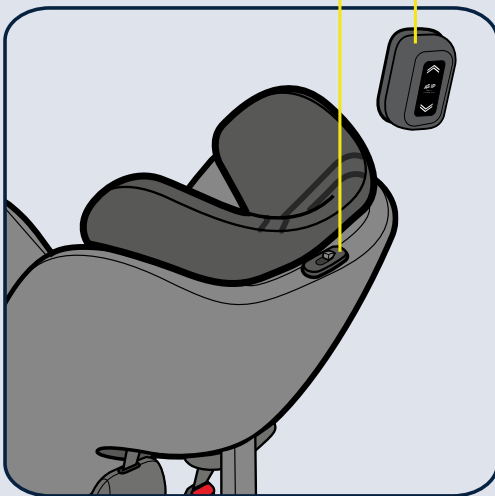
Voor de maximale veiligheid van uw kind, is het belangrijk dat u het volgende in gedachten houdt:

- Volg altijd de instructies in deze handleiding. Verkeerd installeren kan de veiligheid van uw kind ernstig in gevaar brengen. Neem bij twijfel contact op met uw dealer die een correcte installatie kan laten zien.
- Bewaar deze handleiding voor toekomstig gebruik. Als u de handleiding kwijtraakt, kunt u deze online vinden op [www.axkid.com](http://www.axkid.com)
- Gebruik het AXKID MINIKID 4 autostoeltje niet op plaatsen waar een actieve voorairbag is geïnstalleerd. Als u het AXKID MINIKID 4 autostoeltje toch op deze plaats wilt installeren, moet de airbag worden uitgeschakeld volgens de instructies van de autofabrikant.
- Mocht u een ongeluk krijgen, hoe klein ook, moet het autostoeltje altijd vervangen worden. Er kunnen niet-zichtbare beschadigingen zijn en die kunnen de veiligheid van uw kind nadelig beïnvloeden. Om deze reden raadt Axkid het ook af om tweedehands autostoeltjes aan te schaffen.
- Als het AXKID MINIKID 4 autostoeltje wordt blootgesteld aan direct zonlicht, zorg er dan voor dat het autostoeltje niet te heet is voordat u uw kind erin zet.
- Laat uw kind nooit onbeheerd achter in de auto.
- Zorg dat eventuele bagage of losse voorwerpen in de auto worden vastgemaakt, aangezien deze bij een ongeval verwondingen aan passagiers kunnen veroorzaken.
- Zorg ervoor dat het AXKID MINIKID 4 autostoeltje zo wordt geïnstalleerd dat er geen onderdelen bekneld kunnen raken door verstelbare stoelen, autoportieren enz.
- Als u de onderste tetherriemen gebruikt, zorg er dan voor dat ze zo worden geïnstalleerd dat ze niet in de weg zitten als u de autostoel wilt verzetten.
- Het AXKID MINIKID 4 autostoeltje mag alleen achterwaarts gericht geïnstalleerd worden.
- Zorg er altijd voor dat het harnas correct is aangepast aan het lichaam van uw kind. U kunt het harnas afstellen door de hoofdsteun te verplaatsen.
- Zorg ervoor dat de rug van uw kind tegen het autostoeltje wordt gedruwd wanneer u uw kind vastzet met het harnas.
- Zorg er altijd voor dat het harnas strak tegen uw kind zit en dat de gesp goed dicht zit. Het mag niet mogelijk zijn om de gordels aan te trekken.
- Zorg dat het harnas niet gedraaid zit.
- Zorg er altijd voor dat de steunpoot in de juiste positie staat en contact maakt met de vloer van de auto. De steunpoot is een zeer belangrijke veiligheidsvoorziening die is ontworpen voor maximale veiligheid van uw kind wanneer er een ongeval plaatsvindt.
- Probeer geen enkel onderdeel van het AXKID MINIKID 4 autostoeltje te demonteren of aan te passen. Dit kan ten koste gaan van de garantie en de veiligheidsprestaties van het Axkid autostoeltje.
- Gebruik het AXKID MINIKID 4 autostoeltje nooit zonder de stoffen hoes. De stoffen stoelhoes maakt deel uit van de veiligheidsvoorzieningen en mag alleen worden vervangen door een originele Axkid stoelhoes.
- Lees het autohandboek en kijk op de lijst met auto's op [www.axkid.com](http://www.axkid.com) om te zien welke zitplekken geschikt zijn voor dit autostoeltje
- Axkid raadt aan om altijd een stoelbescherming te gebruiken om uw passagiersstoel of achterbank te beschermen tegen krassen en vuil.
- Neem bij twijfel contact op met de winkel waar het autostoeltje is gekocht of neem contact op met [info@axkid.com](mailto:info@axkid.com)

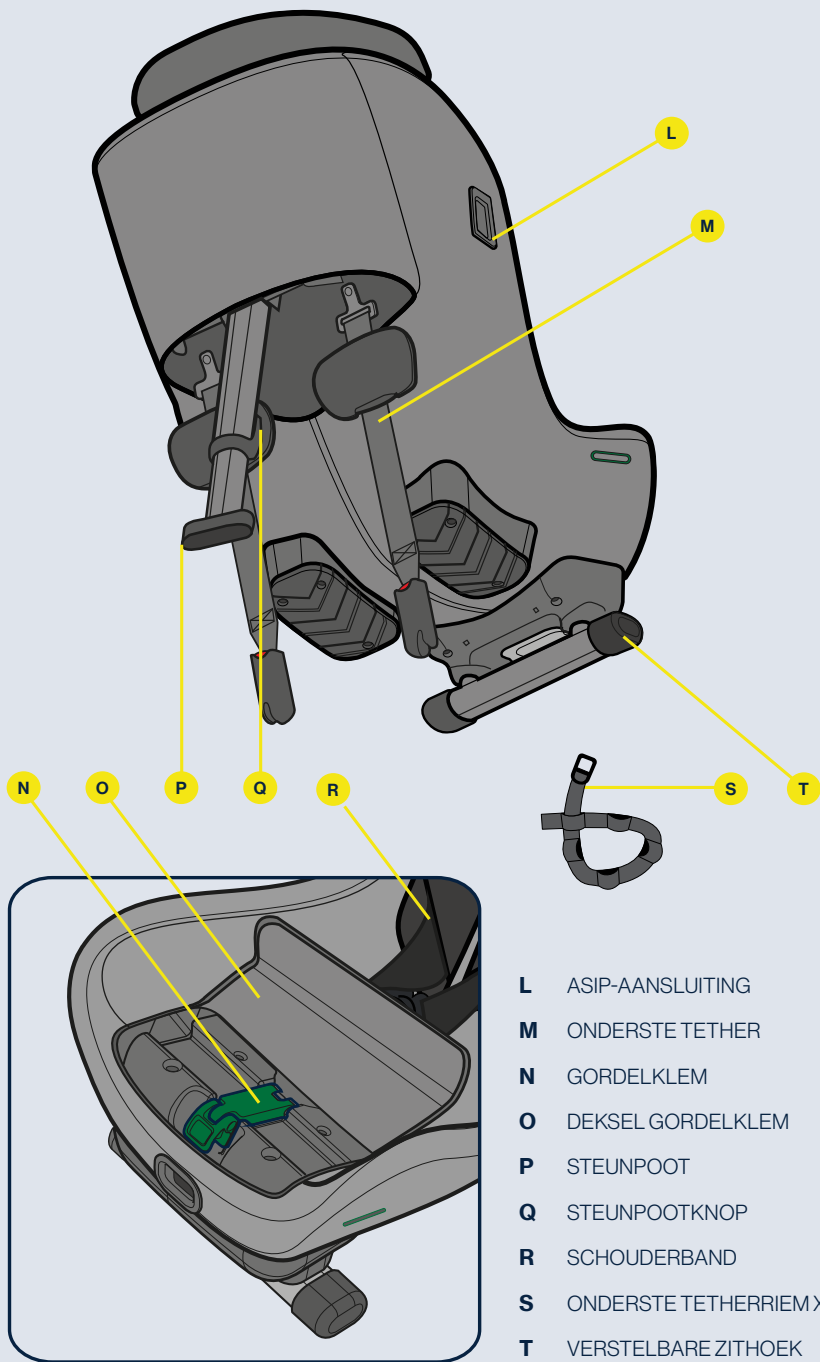
# Inhoudsopgave

Onderdelen	64
Toegestane en niet-toegestane plaatsing van het AXKID MINIKID 4 autostoeltje	66
Onderste ankerpunten	66
Onderste tetherriemen installeren	67
Uw kind vastzetten in het AXKID MINIKID 4 autostoeltje	69
Hoofdsteunverstelling	70
AXKID MINIKID 4 autostoeltje uit het voertuig halen	70
Verzorging en onderhoud	71
Garantie	71

# Onderdelen



- A HOOFDSTEUN
- B INTEGRAAL HARNAS
- C ONTGREDELINGSKNOP GESP
- D SLEUF VEILIGHEIDSGORDEL
- E ONTGREDELINGSKNOP HARNAS
- F SPANRIEM HARNAS
- G HENDEL VOOR KANTELVERSTELLING
- H VERGRENDELHOENDEL HOOFDSTEUN
- I ASIP-PAD
- J ACHTERSTEUN
- K VERTICALE GROEF

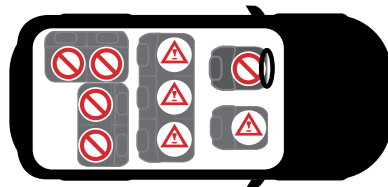




# Toegestane en niet-toegestane plaatsing van het AXKID MINIKID 4 autostoeltje

Het AXKID MINIKID 4 autostoeltje kan alleen achterwaarts gericht worden geïnstalleerd. Het past op de meeste, maar niet alle zitplaatsen. Raadpleeg de handleiding van uw auto om geschikte zitposities te vinden en controleer de lijst met auto's op [www.axkid.com](http://www.axkid.com)

Passagiersstoel (geen actieve airbag)	JA/NEE*
Passagiersstoel (actieve airbag)	NEE
Achterbankzitplaats met 3-punts veiligheidsgordel	JA
Stoel met 2-punts veiligheidsgordel	NEE
Zij- en achterwaarts gerichte stoelen	NEE



**BELANGRIJK:** Als u uw AXKID MINIKID 4 autostoeltje wilt installeren op een plaats waar een frontale airbag is gemonteerd, moet de airbag gedeactiveerd worden volgens de instructies van uw autofabrikant. Houd er rekening mee dat voor sommige auto's een bezoek aan een erkend servicecentrum nodig is om de airbag te ontkoppelen.

\* Het Algemeen Verkeersreglement in Spanje stelt in artikel 117 het verbod vast om te rijden met kinderen of personen met een lengte gelijk aan of kleiner dan 135 centimeter op de voorstoelen van het voertuig, zonder uitzonderingen.



## Onderste ankerpunten Belangrijke informatie

De onderste ankerpunten (LTA) worden gebruikt om de bescherming van kinderen in auto's te verbeteren. Het zorgt voor een stevige en stabiele installatie voor verlengde achterwaarts gerichte autostoeltjes die aan een gordel zijn bevestigd. Dit verhoogt de veiligheid van uw kind bij alle soorten aanrijdingen, inclusief kantelen en kop-staartbotsingen.

Onderste tethers zijn een beproefde methode die al meer dan 40 jaar op grote schaal wordt gebruikt in de Scandinavische landen. In 2020 is een nieuwe internationale norm voor LTA uitgebracht, ISO13216-4:2020. In deze norm staan de eisen voor onderste tethers voor autostoelen, maar ook die voor autofabrikanten en hun ankerpunten. Het doel is om de compatibiliteit te verbeteren en een veilige en gemakkelijke manier van installeren voor de toekomst te garanderen.

De AXKID MINIKID 4 onderste tethers voldoen aan ISO13216-4:2020, wat garant staat voor een perfecte passing en eenvoudige installatie in auto's met vooraf geïnstalleerde onderste ankerpunten die ook aan deze norm voldoen. Als uw voertuig ankerpunten heeft die niet aan de norm voldoen, passen de AXKID MINIKID 4 onderste tethers waarschijnlijk nog steeds, maar dit is niet vanzelfsprekend.

Vooraf geïnstalleerde onderste ankerpunten in auto's zijn vaak te vinden op de stoelrails die aan de vloer zijn bevestigd, maar er worden ook andere posities gebruikt. Raadpleeg de handleiding van uw auto voor meer informatie over bruikbare ankerpunten.

Als uw voertuig geen vooraf geïnstalleerde onderste ankerpunten heeft, wordt de AXKID MINIKID 4 geleverd met onderste tetherriemen die in uw voertuig geïnstalleerd kunnen worden. Zie deze handleiding voor instructies voor installatie. Deze riemen voldoen ook aan ISO13216-4:2020 en bieden, indien correct geïnstalleerd, dezelfde veiligheid als vooraf geïnstalleerde verankeringen.

Sommige autofabrikanten bieden ook de mogelijkheid om achteraf onderste ankerpunten aan te brengen. Neem contact op met uw autofabrikant of dealer voor meer informatie. Axkid retrofit verankeringen voor de onderste ankerpunten en extra onderste tetherriemen zijn apart leverbaar.

**Opmerking:** Gebruik de AXKID MINIKID 4 nooit zonder de onderste tethers. Ze zijn een belangrijke veiligheidsvoorziening en moeten altijd worden gebruikt bij het installeren van uw autostoeltje.

# Onderste tetherriemen installeren

Als uw voertuig geen geschikte voorgeïnstalleerde onderste ankerpunten heeft, wordt de AXKID MINIKID 4 geleverd met onderste tetherriemen die in uw voertuig geïnstalleerd kunnen worden. Afhankelijk van uw auto en de zitplaats in de auto waar u het autostoeltje wilt installeren, zijn er verschillende mogelijke ankerpunten die u kunt gebruiken voor het vastzetten van de verankeringsriemen. Zie hieronder voor alternatieven.

Om de onderste tetherriemen (S) te installeren, legt u de riem eenvoudig om het gekozen ankerpunt en haalt u de metalen verankering door een van de sleuven op de riem zelf. De verankeringsriem heeft verschillende sleuven die gebruikt kunnen worden. Zorg ervoor dat u de sleuf gebruikt die zo dicht mogelijk bij de metalen verankering zit, op die manier installeert u de metalen verankering zo dicht mogelijk bij de voertuigvloer. Zodra dit is gebeurd, trekt u aan de metalen verankering om de riem strakker te maken en herhaalt u het proces voor de andere riem. Gebruik altijd twee ankerpunten bij het installeren van AXKID MINIKID 4 en kies ankerpunten die niet bij elkaar liggen, omdat dit een stabielere installatie geeft.

## Mogelijke route van de verankeringsriem

- alt. **a** Leid de riem rond de rand van de vooraf geïnstalleerde verankering (gebruik deze methode alleen als de vooraf geïnstalleerde verankeringen niet passen op de onderste tethers)
- alt. **b** Bevestig de riem rond de stoelrail aan de voorzijde van het autostoeltje door de riem tussen de stoelrail en de autovloer of door het juiste gat in de stoelrail te halen.
- alt. **c** Bevestig de riem rond het scharnier van de bestuurders- of de passagiersstoel voor het autostoeltje door de riem tussen de rugleuning en het zitkussen van de auto te halen.
- alt. **d** Bevestig de riem rond de stoelrail onder het autostoeltje door de riem tussen de stoelrail en de autovloer of door de juiste opening in de stoelrail te halen.
- alt. **e** Wanneer u de AXKID MINIKID 4 op de passagiersstoel voor wilt installeren en geen van de bovenstaande alternatieven is beschikbaar, kunnen de onderste tetherriemen aan een geschikt ankerpunt achter in het voertuig bevestigd worden en dan kunnen de riemen onder de voertuigstoel naar de voorkant van het voertuig worden gelegd. Zorg ervoor dat de verankeringsriemen onder de voorkant van de stoel door komen en niet aan de zijkanten liggen.

**Opmerking:** Zorg er bij verzetten van een autostoel altijd voor deze niet contact komt met de geïnstalleerde onderste tetherriemen of deze beschadigt

**Opmerking:** Gebruik nooit scherpe voorwerpen als hulpmiddel bij het geleiden van de riemen, aangezien dit de riem zou kunnen beschadigen.



# AXKID MINIKID 4 autostoeltje in het voertuig installeren

Voordat u AXKID MINIKID 4 installeert, moet u controleren of de onderste ankerpunten in uw voertuig aanwezig zijn. Zie het gedeelte over onderste ankerpunten in deze handleiding voor meer informatie en installatie-instructies.

1

Rits de rits open en open het deksel van de gordelklem (O)

2

Plaats de AXKID MINIKID 4 op de autostoel met de achterkant van de autostoel naar de voorkant van het voertuig gericht. Pas de beenruimte voor uw kind aan door de autostoel eenvoudig heen en weer te bewegen op de autostoel. De AXKID MINIKID 4 kan strak tegen de rugleuning van de autostoel worden gemonteerd, maar mag nooit worden geïnstalleerd met de achtersteun (J) over de rand van de autostoel. Zorg ervoor dat de verticale groef (K) in de achtersteun (J) nooit over de rand van de autostoel komt.

Pas de hoek van het autostoeltje aan door op de hendel voor kantelverstelling (G) te drukken en selecteer een geschikte zitpositie. Kies voor maximale veiligheid een zo rechtop mogelijke houding maar let er tegelijkertijd op dat het hoofd van uw kind niet naar voren valt tijdens het slapen. Om zowel comfort- als veiligheidsredenen moet de zithoek meer rechtopstaand worden naarmate uw kind groeit. Houd er rekening mee dat het autostoeltje, bij het spannen van de onderste tethers (M), iets meer achterover gaat leunen omdat het wegzakt in het zitkussen van de auto. Bij montage van de AXKID MINIKID 4 in een passagiersstoel voor is het mogelijk, maar niet noodzakelijk, dat de achterkant van de autostoeltje contact maakt met het dashboard.

3

Open de gordelklem (N). Trek de veiligheidsgordel een armlengte uit en haal deze door de veiligheidsgordelsleuf (D) die zich het dichtst bij u bevindt. Leg de veiligheidsgordel door de gordelklem (N) en steek deze door de gordelsleuf (D) aan de andere kant. Zet de veiligheidsgordel vast met de gordelgesp en trek hard aan het schoudergedeelte van de autogordel om alle speling te verwijderen en het autostoeltje vast te zetten. Hoe harder u trekt, hoe steviger het stoeltje vastzit. Wanneer het autostoeltje stevig vastzit, sluit u de gordelklem (N) en vergrendelt u de veiligheidsgordel op zijn plaats. Zorg ervoor dat zowel de schouder- als de heupgordel samen vast zitten in de gordelklem (N). Sluit het deksel van de gordelklem (O) en sluit de rits. Voor een nog stevigere en stabielere installatie drukt u het autostoeltje naar beneden terwijl u aan de schoudergordel trekt.

4

Trek de onderste tethers (M) uit het autostoeltje en bevestig ze aan de onderste ankerpunten in uw auto, zie het gedeelte over onderste ankerpunten in deze handleiding voor meer informatie. Druk op de bovenkant van het autostoeltje en druk het autostoeltje afwisselend links en recht naar beneden en de AXKID MINIKID 4 zelfspannende onderste tethers (M) worden automatisch gespannen. Door de onderste tethers (M) te spannen, stelt u ook de uiteindelijke zithoek van het autostoeltje in. Blijf op het autostoeltje duwen totdat het stevig vastzit en u een geschikte zithoek hebt. Controleer of de witte markering op de onderste tether zichtbaar is. Zo niet, dan zitten de onderste ankerpunten te dicht bij het autostoeltje en moeten ze worden afgesteld. Als dit niet mogelijk is, kunt u ook de onderste tethers achter de stoel kruisen om wat meer afstand te creëren.

5

Trek de steunpoot (P) uit het autostoeltje. Druk op de steunpootknop (Q) en trek de steunpoot (P) naar beneden totdat deze contact maakt met de vloer van de auto. Laat de steunpootknop (Q) los en til het autostoeltje omhoog om de steunpoot (P) verder uit te schuiven totdat u een klik hoort. De steunpoot (P) moet nu worden vergrendeld en stevig tegen de autovloer worden gedrukt. Zorg ervoor dat de steunpoot (P) onder een hoek van ongeveer 10° naar de voorkant van het voertuig staat. Controleer de autogordel nogmaals om er zeker van te zijn dat deze nog steeds strak gespannen is en dat er geen speling is gekomen in de heupgordel tijdens het spannen van de onderste tethers en de steunpoot. Als de veiligheidsgordel wat spanning heeft verloren, kunt u deze eenvoudig opnieuw spannen door stap 2 van deze handleiding te herhalen zonder de onderste tethers los te maken.

6

Duw de ASIP-pad (I) in de sleuven op de ASIP-aansluiting (L) en schuif de pad naar beneden, de ASIP-pad (I) klikt op zijn plaats. Als er een plastic afdekking op de ASIP-aansluiting (L) zit, moet u deze verwijderen en op de ASIP-aansluiting (L) aan de andere kant van de stoel plaatsen voordat u de ASIP-pad (I) monteert. Zorg ervoor dat de ASIP-pad (I) is bevestigd aan de kant van de AXKID MINIKID 4 autostoeltje die zich het dichtst bij het portier bevindt.





# Uw kind vastzetten in het AXKID MINIKID 4 autostoeltje

Voordat u uw kind vastzet in het AXKID MINIKID 4 autostoeltje, moet u ervoor zorgen dat de juiste inleg in het stoeltje is geïnstalleerd. De AXKID MINIKID 4 is ontworpen om met uw kind mee te groeien en om een comfortabele en veilige pasvorm voor de kinderen te bieden. Axkid raadt aan om de inleg te gebruiken totdat uw kind het te strak vindt, maar met een minimale lengte volgens onderstaande tabel (let op: de leeftijd is slechts een indicatie):

Leeftijd	Lengte	
Peuter 0-3 jaar	61– 105 cm	
Kind 3-7 jaar	106 – 125 cm	

De AXKID MINIKID 4 is uitgerust met een automatische hoofdsteun (A) die zichzelf naar de juiste positie laat zakken wanneer het harnas wordt aangetrokken. Voor de beste pasvorm raadt Axkid aan om deze functie elke keer te gebruiken als u uw kind vastzet. Voordat u uw kind in het autostoeltje plaatst, moet u ervoor zorgen dat de automatische hoofdsteun (A) in de ontgrendelde stand staat. Zie sectie hoofdsteun (A) verstelling voor meer informatie.

**7**

Zorg ervoor dat de remhendel van de hoofdsteun (H) op ontgrendeld staat. Indien vergrendeld, duwt u de hendel naar de ontgrendelde stand.

**8**

Maak het harnas los door op de ontgrendelknop van het harnas (E) te drukken en trek beide schouderbanden (R) tegelijkertijd naar buiten. Trek niet slechts aan één riem, omdat de schouderriemen (R) hierdoor ongelijk kunnen worden. Zorg ervoor dat de hoofdsteun (A) naar de bovenste positie is geduwd.

**9**

Ontgrendel de harnasgesp door op de ontgrendelingsknop van de gesp (C) te drukken en leg de riemen buiten de stoel.

**10**

Plaats uw kind in het zitje en leg de schouderbanden (R) over de schouder van uw kind. Vergrendel het harnas door eerst de delen van de gesp die aan de schouderbanden (R) zijn bevestigd bij elkaar te plaatsen en ze vervolgens in de gesp te duwen totdat u een klik hoort.

**11**

Trek aan de schouderbanden (R) om het harnas over de heupen van uw kind te spannen. Terwijl u de schouderbanden (R) op spanning houdt, trekt u de spanband van het harnas (F) recht uit het autostoeltje totdat het harnas voldoende strak zit. Er mag niet meer dan één vinger tussen de schouderbanden (R) en de schouders van uw kind passen. Tijdens het spannen van het harnas beweegt de hoofdsteun (A) automatisch naar beneden naar de juiste positie voor uw kind.



# Hoofdsteunverstelling

De AXKID MINIKID 4 is uitgerust met een automatische hoofdsteun (A) die ervoor zorgt dat de hoofdsteun (A) altijd in de beste positie voor uw kind staat. Bij het aanspannen van het harnas zakt de hoofdsteun (A) naar de juiste hoogte en wordt automatisch vergrendeld. Bij het losmaken van het harnas gaat de hoofdsteun (A) weer omhoog naar de bovenste stand en wordt ontgrendeld. Voor de beste pasvorm raadt Axkid aan om deze functie elke keer te gebruiken als u uw kind vastzet.

De hoofdsteun (A) ontgrendelt alleen in de bovenste stand. Het is daarom belangrijk om dat de hoofdsteun (A) helemaal naar de bovenste positie gaat bij het losmaken van het harnas, anders blijft de hoofdsteun (A) vergrendeld en zal niet naar beneden gaan bij het aanspannen van het harnas.

Als u de automatische verstelling wilt uitschakelen en de hoofdsteun (A) in een vaste stand wilt houden, zet u de hoofdsteun (A) in de gewenste stand en zet u de vergrendelhendel van de hoofdsteun (H) in de vergrendelde stand. De hoofdsteun (A) is nu in hoogte vergrendeld en beweegt niet totdat u de vergrendelhendel (H) weer in de ontgrendelde stand zet.

Wanneer u uw AXKID MINIKID 4 gebruikt met de hoofdsteun (A) in een vaste positie, zorg er dan voor dat de hoofdsteun (A) op de juiste hoogte voor uw kind staat. Controleer of de schouderbanden (R) recht vanaf de schouders van uw kind door het zijje gaan of maximaal 1 cm erboven. Als dit niet het geval is, stelt u de hoofdsteun (A) af door de vergrendelhendel van de hoofdsteun (H) in de ontgrendelde stand te zetten en de hoofdsteun (A) naar de bovenste stand te duwen zodat deze ontgrendelt. Vervolgens herhaalt u de procedure.



## Het AXKID MINIKID 4 autostoeltje uit uw auto halen

- Rits de rits open en open het deksel van de gordelklem (O). Ontgrendel de veiligheidsgordel door de rode knop van de gesp te drukken. Open de gordelklem (N), trek aan de autogordel en leid deze door de gordelsleuven (D) om deze van het autostoeltje los te maken.
- Ontgrendel de onderste tethers (M) door de aansluitingen met uw hand vast te houden en met uw duim op de rode knop te drukken. Houd de aansluitingen in uw hand vast, en laat ze langzaam naar het autostoeltje bewegen. Zorg ervoor dat u de onderste tetheraansluiting niet loslaat, omdat deze anders automatisch met hoge snelheid wordt teruggetrokken.
- Druk op de steunpootknop (Q) en klap de steunpoot (P) in tot de kortste stand.
- Druk op de hendel voor het verstellen van de rugleuning (G) en zet de verstelbare zithoek (T) in de kortste stand. Til de AXKID MINIKID 4 uit de auto.

**Tip:** Vergrendel de gesp van het harnas en span het harnas voordat u het autostoeltje uit de auto verwijdert. U kunt dan de schouderbanden (R) gebruiken als draagbeugel, waardoor u het autostoeltje gemakkelijker kunt optillen en buiten de auto kunt meenemen.

**Belangrijk:** Draag het autostoeltje nooit aan de hoofdsteun (A)

### Je autostoeltje recyclen



Axkid raadt ten eerste aan om oude autostoeltjes te recyclen. Voordat u de stoel bij uw plaatselijke recyclingstation achterlaat, knipt u de harnasriemen van de stoel af, verwijdert u de stoffen hoes, verwijdert u zoveel mogelijk piepschuimonderdelen en scheidt u indien mogelijk metalen en plastic onderdelen. Het grootste deel van de stoel moet worden gemarkeerd als onveilig of verlopen (gebruik een markering) om te voorkomen dat iemand hem opnieuw gebruikt. Raadpleeg uw plaatselijke gemeentelijke richtlijnen voor recyclinginstructies voor de verschillende materialen.



# Verzorging en onderhoud

De stoffen hoes van de stoel kan in de machine gewassen worden op 30°C op een zacht wasprogramma. Stop de hoes niet in de droger, omdat dit de hoes kan beschadigen en de vulling kan loskomen van de stof. Bezoek [www.axkid.com](http://www.axkid.com) voor video's waarin u kunt zien hoe u de hoes verwijdert en bevestigt.

## Verwijderen van de stoffen hoes:

- Als er een ASIP-pad (I) zit moet u deze verwijderen.
- Zet de vergrendelhendel van de automatische hoofdsteun (H) in de ontgrendelde stand en maak het harnas los door op de ontgrendelknop van het harnas (E) te drukken. Trek beide schouderbanden (R) tegelijkertijd uit.
- Rits de twee ritsen aan de onderkant van de hoofdsteun (A) los en trek de hoes voorzichtig van de hoofdsteun (A).
- Zet de hoofdsteun (A) in de laagste stand en zet de vergrendelhendel van de automatische hoofdsteun (H) in de vergrendelde stand.
- Ontgrendel de gesp van het harnas door op de ontgrendelingsknop (C) te drukken en verwijder de gespafdekking.
- Rits de rits open en open het deksel van de gordel (O) en verwijder het plastic deksel (O) van de stoffen hoes.
- Rits de rits onder het autostoeltje open en open de 4 knopen op de stoffen hoes aan de achterkant van het autostoeltje.
- Rits de twee ritsen bij de rugleuning aan de binnenkant van het autostoeltje los en verwijder voorzichtig de stoffen hoes van het autostoeltje. Wees voorzichtig rond de ASIP-pad en andere plastic hoezen om het textiel niet te beschadigen, trek niet te hard.
- Open de schoudevullingen en verwijder ze voorzichtig van het klittenband.

## Installeren van de stoffen hoes

- Volg de bovenstaande stappen in omgekeerde volgorde uit om de stoffen hoes weer op het autostoeltje te installeren.
- Houd er rekening mee dat de schoudevullingen op verschillende posities kunnen worden geïnstalleerd. Installeer ze in een positie die geschikt is voor uw kind, de schoudevullingen moeten bovenop de schouder en op de borst van uw kind komen. Zorg er ook voor dat de rubberen kant van het schouderkussen naar de borst van uw kind is gericht.

Als de stoffen stoelbekleding moet worden vervangen, zorg er dan voor dat alleen originele producten van Axkid worden gebruikt. Als andere producten worden gebruikt, kan dit ervoor zorgen dat het veiligheidssysteem van de AXKID MINIKID 4 niet naar behoren kan functioneren en dit kan leiden tot ernstig letsel bij een ongeval.

Alle kunststof onderdelen van het AXKID MINIKID 4 autostoeltje kunnen worden gereinigd met een mild schoonmaakmiddel en water. Gebruik geen agressieve chemicaliën die oplosmiddelen of iets dergelijks bevatten, omdat dit het plastic kan beschadigen en de veiligheid van het autostoeltje in gevaar kan brengen.

# Garantie

Het AXKID MINIKID 4 autostoeltje heeft een garantie van 24 maanden vanaf de aankoopdatum. Zorg ervoor dat u uw kassabon bewaart en meeneemt naar uw plaats van aankoop als u garantieproblemen heeft die niet door de garantie worden gedekt.

- Normale slijtage
- Schade door onjuist gebruik, verwaarlozing of ongeval
- Als reparaties zijn uitgevoerd door een derde partij
- Alle gebruikte materialen hebben een zeer hoge UV-bestendigheid. UV-licht is echter zeer agressief en zal uiteindelijk leiden tot vlekking van de stoelbekleding. Dit valt niet onder onze garantie omdat het als normale slijtage wordt beschouwd.
- Hanteer de stoel met zorg. Draag de stoel nooit aan de hoofdsteun (A).

# Dziękujemy za wybór produktu AXKID MINIKID 4

Przed przystąpieniem do instalowania fotelika AXKID MINIKID 4 w samochodzie przeczytaj niniejszą instrukcję obsługi. Więcej informacji oraz materiały wideo wspomagające instalację znajdziesz na naszej stronie internetowej: [www.axkid.com](http://www.axkid.com)

**AXKID MINIKID 4** to instalowany tyłem do kierunku jazdy fotelik samochodowy dla dzieci mierzących 61–125 cm wzrostu, ≤36 kg

AXKID MINIKID 4 można używać od mniej więcej szóstego miesiąca życia, bądź od momentu, w którym dziecko potrafi już siedzieć bez podparcia.

Produkt stanowi zintegrowane, montowane za pomocą pasa bezpieczeństwa i przeznaczone do stosowania na pokładzie pojazdów silnikowych „ulepszone urządzenie przytrzymujące dla dzieci”. Został dopuszczony do sprzedaży zgodnie z Regulaminem ONZ nr 129, do użytku na właściwych siedzeniach w pojeździe, zgodnie ze wskazaniem w wykazie pojazdów. Wszelkie wątpliwości konsultuj z producentem urządzenia przytrzymującego dla dzieci ([www.axkid.com](http://www.axkid.com)) bądź z detalistą, u którego dokonano zakupu.

## Ważna informacja

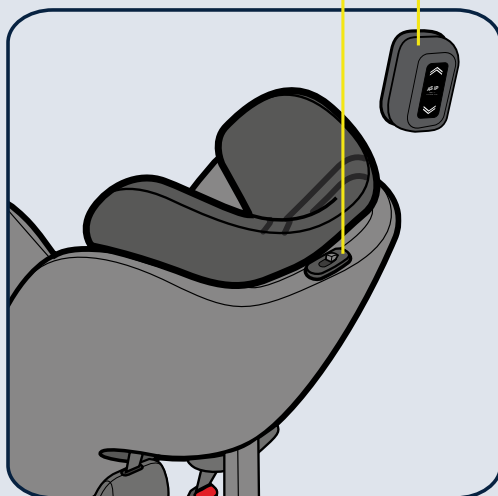
Z myślą o maksymalizowaniu bezpieczeństwa dziecka koniecznie pamiętaj o następujących kwestiach:

- Należy zawsze przestrzegać wskazówek zawartych w niniejszej instrukcji. Nieprawidłowy montaż mógłby poważnie zagrażać bezpieczeństwu Twojego dziecka. W razie wątpliwości skontaktuj się ze sprzedawcą — on zademonstruje ci poprawny sposób zainstalowania fotelika.
- Zachowaj tę instrukcję do wykorzystania w przyszłości. W razie utraty instrukcji znajdziesz ją na stronie [www.axkid.com](http://www.axkid.com).
- Nie należy używać fotelika AXKID MINIKID 4 na miejscu pasażera, w którym zainstalowana jest aktywna poduszka powietrzna. Jeżeli mimo wszystko chcesz zainstalować fotelik AXKID MINIKID 4 w takim miejscu, to musisz wyłączyć poduszkę powietrzną zgodnie z instrukcją producenta pojazdu.
- W razie wypadku, nawet niegroźnej kolizji, fotelik samochodowy należy zawsze wymienić. W takiej sytuacji fotelik mógłby ulec niezauważalnemu uszkodzeniu, które jednak poważnie zagrażałoby bezpieczeństwu Twojego dziecka. Z tego względu firma Axkid nie zaleca kupowania używanych fotelików samochodowych.
- Gdyby fotelik AXKID MINIKID 4 pozostawał przed użyciem bezpośrednio nasłoneczniony, przed zapięciem w nim dziecka upewnij się, że nie jest nadmiernie rozgrzany.
- Pod żadnym pozorem nie zostawiaj dziecka bez opieki w pojeździe.
- Upewnij się, że bagaż bądź luźne przedmioty są w pojeździe zabezpieczone, jako że w razie wypadku mogłyby one spowodować u pasażerów obrażenia.
- Upewnij się, że fotelik AXKID MINIKID 4 jest zainstalowany w taki sposób, żeby żadna z jego części nie była blokowana przez ruchome fotele, drzwi samochodu itp.
- Jeżeli korzystasz z pasów kotwiczących, upewnij się, że nie kolidują one z ruchem żadnego z siedzeń.
- Fotelik AXKID MINIKID 4 może być instalowany tylko tyłem do kierunku jazdy.
- Zawsze upewnij się, że uprząż jest odpowiednio dopasowana do ciała dziecka. Uprząż reguluje się poprzez ustawianie zagłówka.
- Przy zapinaniu dziecka uprząż upewnij się, że plecy dziecka przylegają do oparcia fotelika.
- Zawsze upewnij się, że uprząż jest ciasno zapięta na dziecku i że sprzączka jest całkowicie zablokowana — nie powinno być możliwe „uszczepnięcie” żadnego z pasów.
- Upewnij się, że uprząż nie są skręcona.
- Zawsze upewnij się, że nóżka podpierająca znajduje się we właściwej pozycji i styka się z podłogą pojazdu. Nóżka podpierająca jest niezmienne istotnym elementem ochronnym, zaprojektowanym tak, by maksymalizować poziom bezpieczeństwa dziecka w razie wypadku.
- Nie podejmuj żadnych prób rozmontowania bądź zmodyfikowania którejkolwiek z części fotelika AXKID MINIKID 4. W takim wypadku gwarancja udzielona na fotelik Axkid oraz jego właściwości zapewnienia bezpieczeństwa mogą stracić ważność.
- Nie używaj fotelika AXKID MINIKID 4 bez materiałowego pokrowca. Materiałowy pokrowiec fotelika jest elementem ochronnym i jako taki może być wymieniany tylko na oryginalny materiałowy pokrowiec fotelika Axkid.
- Informacji o tym, które siedzenia są odpowiednie na ten fotelik samochodowy, szukaj w podręczniku pojazdu oraz w wykazie pojazdów na stronie [www.axkid.com](http://www.axkid.com).
- Axkid zaleca zawsze stosować pokrowiec na fotel, tak żeby chronić siedzenie pojazdu przed porysowaniem i zabrudzeniem.
- W razie jakichkolwiek wątpliwości skontaktuj się z detalistą, od którego zakupiono fotelik, albo napisz na adres [info@axkid.com](mailto:info@axkid.com).

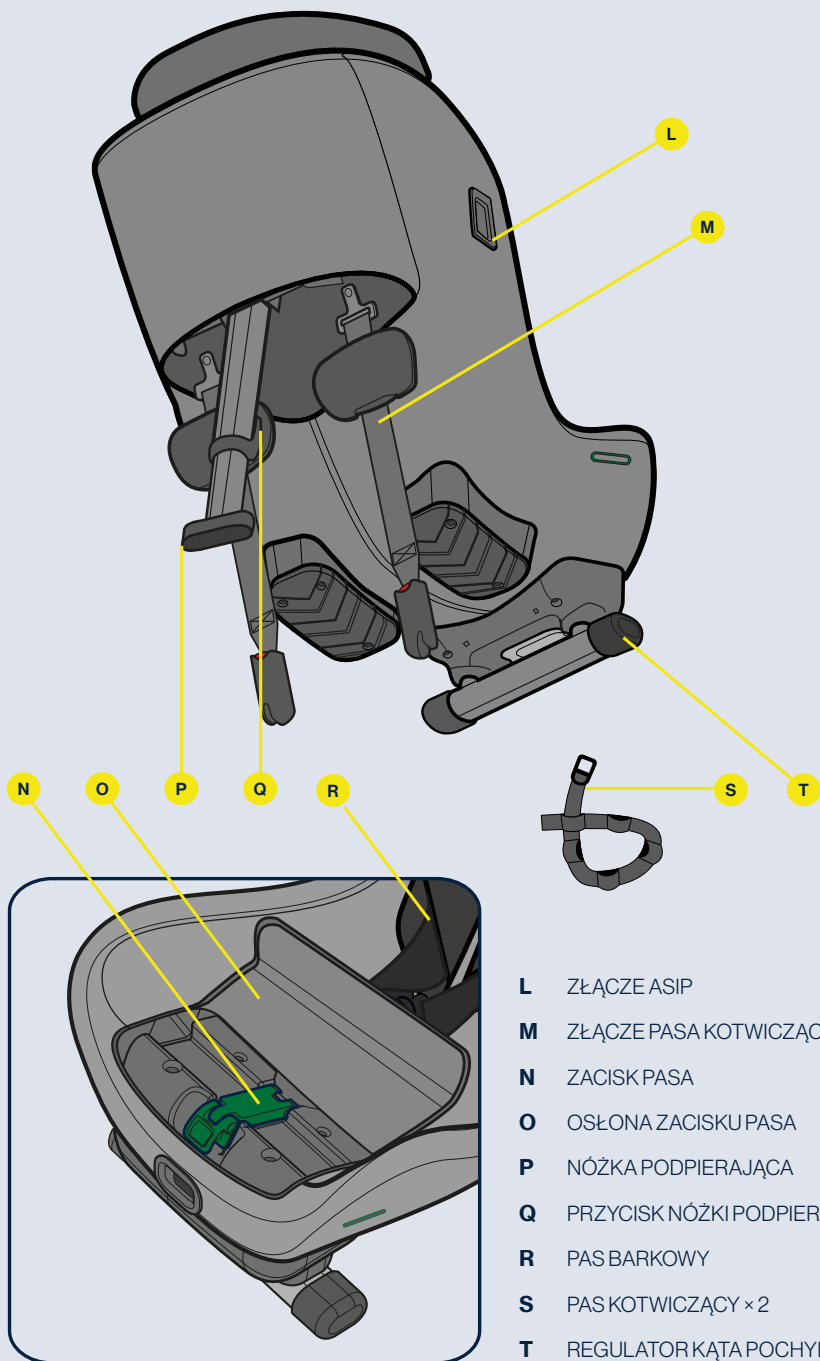
# Spis treści

Części	74
Dozwolone i niedozwolone umiejscowienie fotelika AXKID MINIKID 4	76
Mocowania pasów kotwiczących	76
Instalowanie pasów kotwiczących	77
Zapinanie dziecka w foteliku AXKID MINIKID 4	79
Regulowanie zagłówka	80
Demontowanie fotelika AXKID MINIKID 4 z pojazdu	80
Pielęgnacja i konserwacja	81
Gwarancja	81

# Części



- A ZAGŁÓWEK
- B ZINTEGROWANA UPRĄŻ
- C PRZYCISK ZWALNIAJĄCY SPRZĄCZKĘ
- D OTWÓR PASA BEZPIECZEŃSTWA
- E PRZYCISK ZWALNIAJĄCY UPRĄŻ
- F PASEK ZACIĄGAJĄCY UPRĄŻ
- G DŹWIGNIA REGULACJI OPARCIA
- H DŹWIGNIA BLOKADY ZAGŁÓWKA
- I OSŁONA ASIP
- J WSPORNIK PODSTAWY
- K PIONOWA LINIA



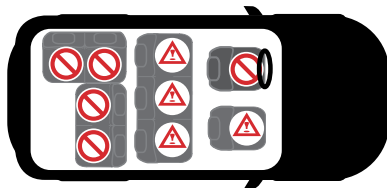
- L ZŁĄCZE ASIP
- M ZŁĄCZE PASA KOTWICZĄCEGO
- N ZACISK PASA
- O OSŁONA ZACISKU PASA
- P NÓŻKA PODPIERAJĄCA
- Q PRZYCISK NÓŻKI PODPIERAJĄCEJ
- R PAS BARKOWY
- S PAS KOTWICZĄCY × 2
- T REGULATOR KĄTA POCHYLENIA



# Dozwolone i niedozwolone umiejscowienie fotelika AXKID MINIKID 4

Fotelik AXKID MINIKID 4 może być instalowany tylko tyłem do kierunku jazdy naprzód. Pasuje on do większości siedzeń — ale nie do wszystkich. Właściwe pozycje siedzeń sprawdź w podręczniku do posiadanego pojazdu; wykaz pojazdów zob. na stronie [www.axkid.com](http://www.axkid.com).

Przedni fotel pasażera (bez aktywnej poduszki powietrznej)	TAK / NIE
Przedni fotel pasażera (z aktywną poduszką powietrzną)	NIE
Tyłne siedzenie pasażera z 3-punktowym pasem bezpieczeństwa	TAK
Fotel z 2-punktowym pasem bezpieczeństwa	NIE
Siedzenia skierowane do tyłu i na bok	NIE



**WAŻNE:** W razie potrzeby zainstalowania fotelika AXKID MINIKID 4 w miejscu, gdzie działa czołowa poduszka powietrzna, konieczne jest wyłączenie tej poduszki powietrznej w sposób zgodny z instrukcjami producenta pojazdu. Miej na uwadze, że w niektórych pojazdach odłączenie poduszki powietrznej może się odbyć tylko w autoryzowanym serwisie.

\* Na przykład w Hiszpanii obowiązujące ogólne rozporządzenie w sprawie ruchu drogowego (artykuł 117) zabrania jazdy z dziećmi, które mierzą do 135 centymetrów wzrostu, posadzonymi na przednich fotelach pojazdu — bez żadnych wyjątków.



## Mocowania pasów kotwiczących Ważna informacja

Pasy kotwiczące służą poprawie bezpieczeństwa przewożonych samochodem dzieci, umożliwiając solidne i stabilne instalowanie mocowanych pasami bezpieczeństwa fotelików tyłem do kierunku jazdy. To zwiększa bezpieczeństwo dziecka w sytuacjach wszelkiego rodzaju kolizji, włącznie z dachowaniem oraz uderzeniami od tyłu.

Wykorzystanie pasów kotwiczących jest sprawdzoną metodą, pozostającą w użyciu w krajach skandynawskich od ponad 40 lat. W 2020 roku opublikowana została nowa międzynarodowa norma dla pasów kotwiczących: ISO 13216-4:2020. Norma ta ustanawia wymogi dotyczące zaczepów dolnych do fotelików oraz miejsc ich mocowania — także względem samych producentów pojazdów. Zadaniem dokumentu jest polepszenie zgodności i zadbanie o bezpieczny i prosty montaż fotelików w przyszłości.

Pasy kotwiczące fotelika AXKID MINIKID 4 spełniają wymagania normy ISO 13216-4:2020, co gwarantuje idealne dopasowanie i łatwy montaż w pojazdach z fabrycznie zainstalowanymi mocowaniami zaczepów dolnych zgodnie z tą normą. Nawet jeśli punkty mocowania w Twoim pojeździe nie spełniają wymagań tej normy, to pasy kotwiczące fotelika AXKID MINIKID 4 powinny pasować — aczkolwiek nie jest to zagwarantowane.

Mocowania zaczepów dolnych instalowane w pojazdach fabrycznie występują często na przytwierdzonych do podłogi szynach siedzeń, aczkolwiek spotyka się też inne rozwiązania. Więcej informacji o możliwych do wykorzystania punktach mocowania znajdziesz w podręczniku do swojego pojazdu.

Na wypadek, gdyby w Twoim pojeździe nie było fabrycznie zainstalowanych mocowań zaczepów dolnych, fotelik AXKID MINIKID 4 zostaje dostarczony w zestawie z dodatkowymi pasami kotwiczącymi (S), które możesz zainstalować w swoim samochodzie. Instrukcje dotyczące ich instalowania znajdziesz w niniejszym dokumencie. Te pasy również spełniają wymagania normy ISO 13216-4:2020, i o ile są zainstalowane prawidłowo, to oferują ten sam poziom bezpieczeństwa, co mocowania zamontowane fabrycznie.

Niektórzy producenci pojazdów oferują też możliwość zainstalowania mocowań zaczepów dolnych w ramach unowocześnienia. Więcej informacji udzieli Ci producent pojazdu bądź dealer. Mocowania zaczepów dolnych i dodatkowe pasy kotwiczące Axkid są sprzedawane osobno.

**Uwaga:** Pod żadnym pozorem nie używaj fotelika AXKID MINIKID 4 bez pasów kotwiczących. Stanowią one ważny element ochrony i zainstalowanie fotelika w każdym przypadku wymaga ich użycia.



# Instalowanie pasów kotwiczących

Na wypadek, gdyby w Twoim pojeździe nie było fabrycznie zainstalowanych odpowiednich mocowań do zaczepów dolnych, fotelik AXKID MINIKID 4 zostaje dostarczony w zestawie z pasami kotwiczącymi do mocowań zaczepów dolnych, które możesz zainstalować w swoim samochodzie. Zależnie od pojazdu oraz siedzenia, gdzie masz zamiar zainstalować fotelik, istnieje szereg punktów, w których można zainstalować pasy kotwiczące. Warianty zobacz poniżej.

W celu zainstalowania kotwiczących (S) po prostu poprowadź pas dokoła wybranego punktu mocowania i przewlec metalowe mocowanie przez jeden z otworów w samym pasie. Pas kotwiczący oferuje kilka otworów do wyboru. Upewnij się, że wybierasz otwór położony możliwie jak najbliżej metalowego mocowania, tak żeby samo metalowe mocowanie znalazło się możliwie jak najbliżej podłogi pojazdu. Po tym pociągnij za metalowe mocowanie, aby naciągnąć pas, i powtórz te same czynności w odniesieniu do drugiego pasa. Instalując fotelik AXKID MINIKID 4, zawsze wykorzystuj dwa punkty mocowania — i wybieraj osobne punkty mocowania, ponieważ to się przekłada na stabilniejszy montaż.

## Opcje poprowadzenia pasa kotwiczącego

- war. **a** Poprowadź pas dokoła brzegu fabrycznie zainstalowanego mocowania. (Stosuj tę metodę tylko pod warunkiem, że same fabrycznie zainstalowane mocowania nie pasują do zaczepów dolnych bezpośrednio).
- war. **b** Zainstaluj pas dokoła szyny siedzenia położonego przed fotelikiem, prowadząc pas między szyną siedzenia a podłogą pojazdu albo przez odpowiedni otwór w szynie siedzenia.
- war. **c** Zainstaluj pas dokoła zawiasu siedzenia położonego przed fotelikiem, prowadząc pas między tyłem siedzenia pojazdu a poduszką siedzenia.
- war. **d** Zainstaluj pas dokoła szyny siedzenia położonego pod fotelikiem, prowadząc pas między szyną siedzenia a podłogą pojazdu albo przez odpowiedni otwór w szynie siedzenia.
- war. **e** W celu zainstalowania fotelika AXKID MINIKID 4 na przednim fotelu pasażera — w sytuacji, gdy wszystkie powyższe warianty są wykluczone — pasy kotwiczące można zamocować do odpowiedniego punktu mocowania z tyłu pojazdu i poprowadzić na przód pojazdu pod fotelem pojazdu. W takim przypadku upewnij się, że pasy kotwiczące wychodzą z przodu fotela, a nie po jego bokach.

**Uwaga:** Zmieniając pozycję któregokolwiek z siedzeń w pojeździe, zawsze upewnij się, że nowa pozycja nie blokuje ani nie uszkadza zainstalowanych pasów kotwiczących.

**Uwaga:** Przy prowadzeniu pasów nigdy, pod żadnym pozorem, nie pomagaj sobie ostrymi przedmiotami, ponieważ to mogłoby uszkodzić pas.



# Instalowanie fotelika AXKID MINIKID 4 w pojeździe

Przed przystąpieniem do instalowania fotelika AXKID MINIKID 4 upewnij się, że w pojeździe dostępne są punkty do zamocowania pasów kotwiczących. Więcej informacji na ten temat oraz instrukcje dotyczące instalacji znajdziesz w części niniejszego dokumentu poświęconej mocowaniu pasów kotwiczących.

1

Rozepnij suwak i otwórz osłonę zacisku pasa (O).

2

Umieść fotelik AXKID MINIKID 4 na siedzeniu pojazdu, tyłem do kierunku jazdy. Zapewnij dziecku miejsce na nogi, po prostu odsuwając fotelik na odpowiednią odległość od oparcia siedzenia pojazdu. Fotelik AXKID MINIKID 4 można zainstalować całkowicie dosunięty do oparcia siedzenia pojazdu — ale pod żadnym pozorem nie wolno instalować fotelika z wspornikiem podstawy (J) przewieszonym przez brzeg siedzenia pojazdu. Pilnuj, żeby pionowa linia (K) na wsporniku (J) nigdy nie przecinała brzegu siedzenia pojazdu.

Wyreguluj kąt fotelika, wciskając dźwignię regulacji oparcia (G) i wybierając odpowiednie pochylenie. Dla maksymalnego bezpieczeństwa wybierz pozycję możliwie wyprostowaną, a przy tym zapewniającą, że śpiącemu dziecku głowa nie będzie opadać naprzód. Ze względów zarówno komfortu, jak i bezpieczeństwa, w miarę wzrostu dziecka kąt pochylenia należy stopniowo prostować. Miej na uwadze, że naciąg mocowań pasów kotwiczących (M) wiąże się z nieznacznym pogłębieniem pochylenia, jako że fotelik wciska się wtedy w poduszkę siedzenia pojazdu. Fotelik AXKID MINIKID 4 instalowany na przednim fotelu pasażera może — ale nie musi — stykać się tyłem z deską rozdzielczą.

3

Rozepnij zacisk pasa (N). Wyciągnij pas bezpieczeństwa pojazdu na długość ramienia i przewlec go przez ten z otworów pasa bezpieczeństwa (D), który znajduje się najbliżej Ciebie. Poprowadź pas przez zacisk pasa (N) i dalej przez otwór pasa bezpieczeństwa (D) po przeciwległej stronie. Wepnij pas bezpieczeństwa pojazdu w sprzączkę pasa bezpieczeństwa, po czym mocno pociągnij za barkowy odcinek pasa bezpieczeństwa pojazdu, tak aby wyeliminować wszelki luz i unieruchomić fotelik — im mocniej pociągniesz, tym fotelik będzie zainstalowany solidniej. Po solidnym zamocowaniu fotelika zamknij zacisk pasa (N) i tym samym zablokuj pas bezpieczeństwa pojazdu. Upewnij się, że w zacisku pasa (N) zablokowane zostają odcinki zarówno barkowy, jak i biodrowy pasa bezpieczeństwa. Zamknij osłonę zacisku pasa (O) i zapnij suwak. Aby fotelik był zainstalowany jeszcze solidniej i stabilniej, dociskaj go przy naciąganiu pasa barkowego.

4

Wyciągnij z mocowania pasów kotwiczących (M) i podłącz je do pasów kotwiczących w pojeździe; więcej informacji na ten temat zawiera część niniejszej instrukcji poświęcona pasom kotwiczącym. Wywierając nacisk na fotelik od góry, pokończ nim na boki, a mocowania pasów kotwiczących (M) fotelika AXKID MINIKID 4 samoczynnie się napną. Ponadto napinając mocowania pasów kotwiczących (M), ustala się ostateczny kąt pochylenia fotelika. Dociskaj fotelik, aż zamocuje się on solidnie i aż uzyskasz odpowiedni kąt pochylenia. Upewnij się, że widoczne jest białe oznaczenie na pasie mocowania pasa kotwiczącego. W przeciwnym razie mocowania są położone zbyt blisko siebie i w związku z tym wymagają regulacji. Gdyby to było niemożliwe, dla uzyskania większej odległości możesz skrzyżować pasy kotwiczące za fotelikiem.

5

Wyciągnij z fotelika nóżkę podpierającą (P). Wciskając przycisk nóżki podpierającej (Q), wyciągaj w dół nóżkę podpierającą (P), aż zetknie się ona z podłogą pojazdu. Puść przycisk nóżki podpierającej (Q), po czym unieś fotelik, aby nóżka podpierająca (P) jeszcze się wyciągnęła, aż do słyszalnego zatrzaśnięcia. Nóżka podpierająca (P) powinna być w tym momencie unieruchomiona i mocno dociśnięta do podłogi pojazdu. Upewnij się, że nóżka podpierająca (P) jest przechylona o kąt około 10° w kierunku przodu samochodu. Jeszcze raz sprawdź pas bezpieczeństwa pojazdu, aby się upewnić, że w dalszym ciągu jest solidnie naciągnięty i że podczas napinania zaczepów dolnych i nóżki podpierającej w odcinku biodrowym pasa nie powstał luz. Gdyby pas pojazdu częściowo stracił naciąg, po prostu naciągnij go od nowa, powtarzając krok 2 tej procedury, bez odpinania przy tym zaczepów dolnych.

6

Umieść osłonę ASIP (I) w gniazdach złącza ASIP (L) i wsuń ją w dół, tak żeby osłona ASIP (I) zatrzaśnęła się na swoim miejscu. Gdyby na złączu ASIP (L) znajdowała się plastikowa zaśleпка, przed przystąpieniem do zakładania osłony ASIP (I) zdejmij zaślepkę i przenieś ją na złącze ASIP (L) po przeciwległej stronie fotelika. Dopilnuj, żeby osłona ASIP (I) była założona po tej stronie fotelika AXKID MINIKID 4, która znajduje się bliżej drzwi pojazdu.



# Zapinanie dziecka w foteliku AXKID MINIKID 4

Zanim przystąpisz do zapinania dziecka w foteliku AXKID MINIKID 4, upewnij się, że w foteliku założona jest właściwa wkładka. Fotelik AXKID MINIKID 4 zaprojektowano tak, żeby rozwijał się wraz z dzieckiem, na każdym etapie jego wzrostu oferując wygodne i bezpieczne dopasowanie. Axkid zaleca używanie wkładki do czasu, aż dziecku zrobi się za ciasno, a przy tym według minimalnej miary zgodnie z tabelą poniżej. (Uwaga: podany wiek jest orientacyjny).

Wiek	Wzrost	
Małe dziecko 0–3 lat	61–105 cm	
Dziecko 3–7 lat	106–125 cm	

Fotelik AXKID MINIKID 4 jest wyposażony w automatyczny zagłówek (A), samoczynnie opuszczający się do właściwego położenia przy naciąganiu uprząży. Dla zagwarantowania najlepszego możliwego dopasowania Axkid zaleca korzystanie z tej funkcji za każdym razem, gdy zapina się dziecko w foteliku. Zanim posadzisz dziecko w foteliku, upewnij się, że automatyczny zagłówek (A) posiada zwolnioną blokadę. Więcej informacji na ten temat zawiera część poświęcona regulacji zagłówka (A).

7

Upewnij się, że dźwignia blokady zagłówka (H) znajduje się w pozycji zwolnienia blokady. Gdyby tak nie było, przestaw dźwignię do pozycji zwolnienia blokady.

8

Poluzuj uprząż, wciskając przycisk zwolnienia uprząży (E) i wyciągając jednocześnie obydwa pasy barkowe (R). Nie ciągnij za poszczególne pasy osobno, ponieważ to mogłoby spowodować niewyrównanie pasów barkowych (R). Upewnij się, że zagłówek (A) jest przesunięty do położenia górnego.

9

Odblokuj sprzączkę uprząży, wciskając przycisk zwalniający sprzączkę (C), po czym odłóż pasy poza fotelik.

10

Posadź dziecko w foteliku i przełóż pasy barkowe (R) przez ramiona dziecka. Zablokuj sprzączkę, najpierw łącząc z sobą części sprzączki mocowane do pasów barkowych (R), a następnie wsuwając je do sprzączki aż do słyszalnego zatrzaśnięcia.

11

Pociągnij za pasy barkowe (R), aby naciągnąć uprząż na biodrach dziecka. Utrzymując naciąg pasów barkowych (R), wyciągnij pasek zaciągający uprząż (F) prosto z fotelika na tyle, żeby uprząż dostatecznie się zacisnęła — nie powinno być możliwe wsunięcie więcej niż jednego palca między pasy barkowe (R) a ramiona dziecka. Przy zaciąganiu szelek zagłówek (A) samoczynnie przesuwa się w dół do położenia odpowiedniego dla dziecka.



# Regulowanie zagłówka

Fotelik AXKID MINIKID 4 jest wyposażony w automatyczny zagłówek (A), przyjmujący zawsze pozycję najdogodniejszą dla dziecka. Przy naciągnięciu upręży zagłówek (A) opuszcza się do właściwej wysokości i samoczynnie blokuje. Przy luzowaniu szelek zagłówek (A) wraca do położenia górnego i odblokowuje się. Dla zagwarantowania najlepszego możliwego dopasowania Axkid zaleca korzystanie z tej funkcji za każdym razem, gdy zapina się dziecko w foteliku.

Zagłówek (A) odblokowuje się tylko w położeniu górnym. W związku z tym przy luzowaniu upręży ważne jest dopilnowanie, żeby zagłówek (A) przesunął się w górę do samego końca — w przeciwnym razie zagłówek (A) pozostanie zablokowany i nie przesunie się w dół przy naciągnięciu szelek.

Jeżeli chcesz wyłączyć funkcję regulacji samoczynnej i pozostawić zagłówek (A) w ustalonym położeniu, przesunij zagłówek (A) dożądanego położenia, po czym przestaw dźwignię blokady zagłówka (H) do pozycji załączenia blokady. W rezultacie wysokość zagłówka (A) będzie zablokowana i nie przesunie się on, dopóki z powrotem nie przestawisz dźwigni blokady zagłówka (H) do pozycji zwolnienia blokady.

Używając fotelika AXKID MINIKID 4 z zagłówkiem (A) w położeniu ustalonym, dbaj o to, żeby zagłówek (A) znajdował się na wysokości odpowiedniej dla Twojego dziecka. Pilnuj, żeby pasy barkowe (R) przebiegały przez fotelik prosto z ramion dziecka lub na wysokości co najwyżej o 1 cm większej. Gdyby tak nie było, wyreguluj zagłówek (A), przestawiając dźwignię blokady zagłówka (H) do pozycji zwolnienia blokady i w dalszej kolejności przesuając zagłówek (A) do położenia górnego w celu odblokowania go, by następnie powtórzyć procedurę.



# Demontowanie fotelika AXKID MINIKID 4 z pojazdu

- Rozepnij suwak i otwórz osłonę zacisku pasa (O). Odblokuj pas bezpieczeństwa pojazdu, wciskając czerwony przycisk w sprzączce pasa bezpieczeństwa. Otwórz zacisk pasa (N) i wyciągnij pas bezpieczeństwa pojazdu, po czym przewlec go przez otwory pasa bezpieczeństwa (D) w celu wyjęcia pasa z fotelika.
- Odblokuj mocowania pasów kotwiących (M), chwytając złącza dłońią i jednocześnie wciskając kciukiem czerwony przycisk. Trzymając złącze w dłoni, powoli odprowadź je z powrotem do fotelika. Uważaj, aby nie puścić złącza zaczepu dolnego, ponieważ wtedy nastąpiłoby samoczynne wycofanie z dużą prędkością.
- Wciśnij przycisk nóżki podpierającej (Q) i złóż nóżkę podpierającą (P) do pozycji jej najmniejszej długości.
- Wciśnij dźwignię regulacji oparcia (G) i wsuń regulator kąta pochylecia (T) do pozycji jego najmniejszej długości. Wyjmij fotelik AXKID MINIKID 4 z pojazdu.

**Wskazówka:** Przed wyjęciem fotelika z pojazdu blokuj sprzączkę upręży i napinaj uprząż. W rezultacie możesz używać pasów barkowych (R) jako uchwytu do przenoszenia, co ułatwia wyjmowanie fotelika i przenoszenie go poza pojazd.

**Ważne:** Pod żadnym pozorem nie podnoś ani nie przenoś fotelika za zagłówek (A).

## Recykling fotelika samochodowego.



Axkid zdecydowanie zaleca recykling starych fotelików samochodowych. Przed pozostawieniem fotelika w lokalnej stacji recyklingu odetnij pasy upręży z fotelika, zdejmij pokrowiec tekstylny, usuń jak największą część styropianowych, jeśli to możliwe oddziel części metalowe i plastikowe. Główna część fotelika powinna być oznaczona jako niebezpieczna lub przeterminowana (użyj markera), aby odstraszyć kogokolwiek przed ponownym użyciem. Prosimy o zapoznanie się z lokalnymi wytycznymi władz miejskich w celu uzyskania instrukcji dotyczących recyklingu różnych materiałów.

# Pielęgnacja i konserwacja

Materiałowy pokrowiec fotelika można prać w pralce w temperaturze 30°C, cyklem prania delikatnego. Pokrowca nie należy suszyć w suszarce, ponieważ to mogłoby go uszkodzić i doprowadzić do oddzielenia wyściółki od tkaniny. Na stronie [www.axkid.com](http://www.axkid.com) znajdziesz filmy demonstrujące sposób zdejmowania i zakładania pokrowca.

## Zdejmowanie materiałowego pokrowca

- Zdejmij osłonę ASIP (I), o ile jest założona.
- Przetwórz dźwignię blokady automatycznego zagłówka (H) do pozycji zwolnienia blokady i poluzuj uprząż, wciskając przycisk zwolnienia uprząży (E) i wyciągając jednocześnie obydwa pasy barkowe (R).
- Rozepnij dwa suwaki na spodzie zagłówka (A) i ostrożnie ściągnij pokrowiec z zagłówka (A).
- Opuść zagłówek (A) do najniższej pozycji, po czym przetwórz dźwignię blokady automatycznego zagłówka (H) do pozycji załączenia blokady.
- Odblokuj sprzączkę uprząży, wciskając przycisk zwalnający sprzączkę (C), po czym zdejmij osłonę sprzączki.
- Rozepnij suwak i otwórz osłonę zacisku pasa (O), po czym zdejmij z materiałowego pokrowca plastikową pokrywkę (O).
- Rozepnij suwak na spodzie fotelika oraz cztery (4) guziki na materiałowym pokrowcu z tyłu fotelika.
- Rozepnij dwa suwaki na oparciu po wewnętrznej stronie fotelika, po czym ostrożnie ściągnij materiałowy pokrowiec z fotelika. Zachowaj ostrożność przy osłonie ASIP oraz innych plastikowych osłonach, aby nie uszkodzić materiału — nie ciągnij za mocno.
- Otwórz ochraniacze na ramiona i ostrożnie odepnij je od rzepów.

## Zakładanie materiałowego pokrowca

- Aby z powrotem założyć materiałowy pokrowiec na fotelik, wykonaj w odwrotnej kolejności czynności analogiczne do powyższych.
- Miej na uwadze, że ochraniacze na ramiona można instalować w różnych miejscach. Instaluj je w sposób dogodny dla dziecka — powinny znajdować się na ramieniu i na klatce piersiowej dziecka. Pilnuj przy tym, żeby każdy ochraniacz na ramię była skierowana gumową stroną do klatki piersiowej dziecka.

Gdyby materiałowy pokrowiec fotelika wymagał wymiany, należy się upewnić, że użyte zostają wyłącznie oryginalne produkty Axkid. Użycie innych produktów może się wiązać z naruszeniem systemu bezpieczeństwa fotelika AXKID MINIKID 4, co grozi odniesieniem poważnych obrażeń w razie wypadku.

Wszelkie plastikowe części fotelika AXKID MINIKID 4 można czyścić przy użyciu łagodnego detergentu i wody. Nie należy stosować agresywnych chemikaliów zawierających rozpuszczalniki itp., ponieważ to mogłoby spowodować uszkodzenie tworzywa sztucznego i pogorszenie poziomu bezpieczeństwa gwarantowanego przez fotelik.

# Gwarancja

Fotelik AXKID MINIKID 4 jest objęty 24-miesięczną gwarancją, liczoną od daty zakupu. Zachowaj dowód zakupu — w razie potrzeby skorzystania z gwarancji. Gwarancja nie obejmuje:

- normalnego zużycia
- uszkodzeń spowodowanych niewłaściwym użytkowaniem, zaniedbaniem lub wypadkiem
- powierzenia naprawy stronie trzeciej
- Wszystkie użyte materiały mają bardzo wysoki współczynnik odporności na promieniowanie UV. Jednak promieniowanie UV jest bardzo agresywne i ostatecznie prowadzi do wypłwienia pokrycia fotelika. Gwarancja tego nie obejmuje, ponieważ uznaje się to za normalne zużycie.
- Obchodź się z fotelikiem ostrożnie. Pod żadnym pozorem nie podnoś ani nie przenoś fotelika za zagłówek (A).

# Děkujeme, že jste si vybrali AXKID MINIKID 4

Před instalací autosedačky AXKID MINIKID 4 do vozidla si přečtěte tento návod k použití. Další informace a videa s návody k instalaci najdete na webu [www.axkid.com](http://www.axkid.com).

**AXKID MINIKID 4** je autosedačka určená pro použití proti směru jízdy a je schválena pro děti s výškou od 61 do 125 cm, ≤36 kg

Autosedačka AXKID MINIKID 4 je vhodná pro použití přibližně od šesti měsíců věku nebo od doby, kdy dítě dokáže sedět bez opory.

Jedná se o integrální vylepšený dětský zádržný systém pro konkrétní vozidla. Autosedačka je schválena podle předpisu EHK OSN č. 129 pro použití na sedadlech v kompatibilních vozidlech uvedených v seznamu vozidel. V případě pochybností se obraťte na výrobce vylepšeného dětského zádržného systému ([www.axkid.com](http://www.axkid.com)) nebo na prodejce.

## Důležité informace

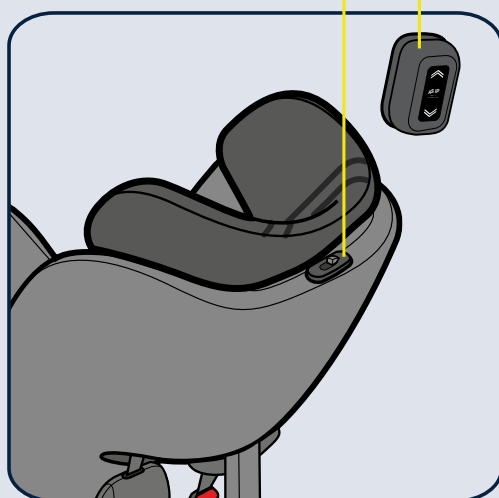
V zájmu maximálního bezpečí vašeho dítěte je důležité mít na paměti následující pokyny:

- Vždy dodržujte pokyny uvedené v této příručce. Nesprávná instalace může vážně ohrozit bezpečnost vašeho dítěte. V případě pochybností se obraťte na prodejce a požádejte jej, aby vám předvedl správnou instalaci.
- Tento návod k použití uschovejte pro pozdější potřebu. V případě ztráty najdete příručku online na [www.axkid.com](http://www.axkid.com)
- Nepoužívejte autosedačku AXKID MINIKID 4 na sedadle, kde je aktivní airbag pro čelní náraz. Pokud chcete autosedačku AXKID MINIKID 4 nainstalovat na toto místo, je třeba airbag deaktivovat podle pokynů výrobce vozidla.
- V případě autonehody, třeba i méně závažné, se doporučuje autosedačku vyměnit. Mohou se objevit nezjistitelné závady, které mohou vážně ohrozit bezpečnost vašeho dítěte. To je také jeden z důvodů, proč Axkid nedoporučuje nákup sedačky z druhé ruky.
- Pokud byla autosedačka AXKID MINIKID 4 vystavena přímému slunečnímu záření, ujistěte se před usazením vašeho dítěte, že autosedačka není příliš horká.
- Nikdy nenechávejte vaše dítě v autě bez dozoru.
- Všechna zavazadla a volně ležící předměty ve vozidle zajistěte proti pohybu, aby v případě autonehody nemohly zranit cestující.
- Ujistěte se, že je autosedačka AXKID MINIKID 4 instalována tak, aby nemohlo dojít k zachycení jeho částí pohyblivými sedadly, dveřmi auta atd.
- Pokud používáte spodní kotvící pásy, ujistěte se, že jsou nainstalovány tak, aby nebránily pohybu žádného sedadla ve vozidle.
- Autosedačku AXKID MINIKID 4 lze instalovat pouze zády ke směru jízdy.
- Vždy se ujistěte, že jsou popruhy nastaveny tak, aby správně seděly na těle vašeho dítěte. Popruhy se nastavují posunutím opěrky hlavy.
- Když dítě upoutáváte popruhy, tak se ujistěte se, že jsou záda dítěte přitlačena k autosedačce.
- Vždy se ujistěte, že jsou popruhy pevně přitaheny k dítěti a že je přezka zcela zajištěna a není možné pásy přiskřípnout.
- Ujistěte se, že popruhy nejsou zkroucené.
- Vždy se ujistěte, že je opěrná noha ve správné poloze a má kontakt s podlahou vozidla. Opěrná noha je velmi důležitým bezpečnostním prvkem navrženým pro maximalizaci bezpečnosti vašeho dítěte při nehodě.
- Nepokoušejte se rozebírat ani upravovat jakoukoli část autosedačky AXKID MINIKID 4. Mohlo by to ovlivnit záruku a bezpečnost autosedačky Axkid.
- Nikdy nepoužívejte autosedačku AXKID MINIKID 4 bez textilního potahu. Textilní potah je bezpečnostní prvek a lze jej nahradit pouze originálním textilním potahem Axkid.
- Přečtěte si příručku k vozidlu a seznam vozidel na [www.axkid.com](http://www.axkid.com), kde je uvedeno, která místa k sezení jsou pro tuto autosedačku vhodná
- Axkid doporučuje vždy používat ochranu sedadla, aby bylo sedadlo vozidla chráněno před poškrábáním a nečistotami.
- V případě pochybností kontaktujte prodejce, u kterého jste autosedačku zakoupili, nebo kontaktujte [info@axkid.com](mailto:info@axkid.com)

# Obsah

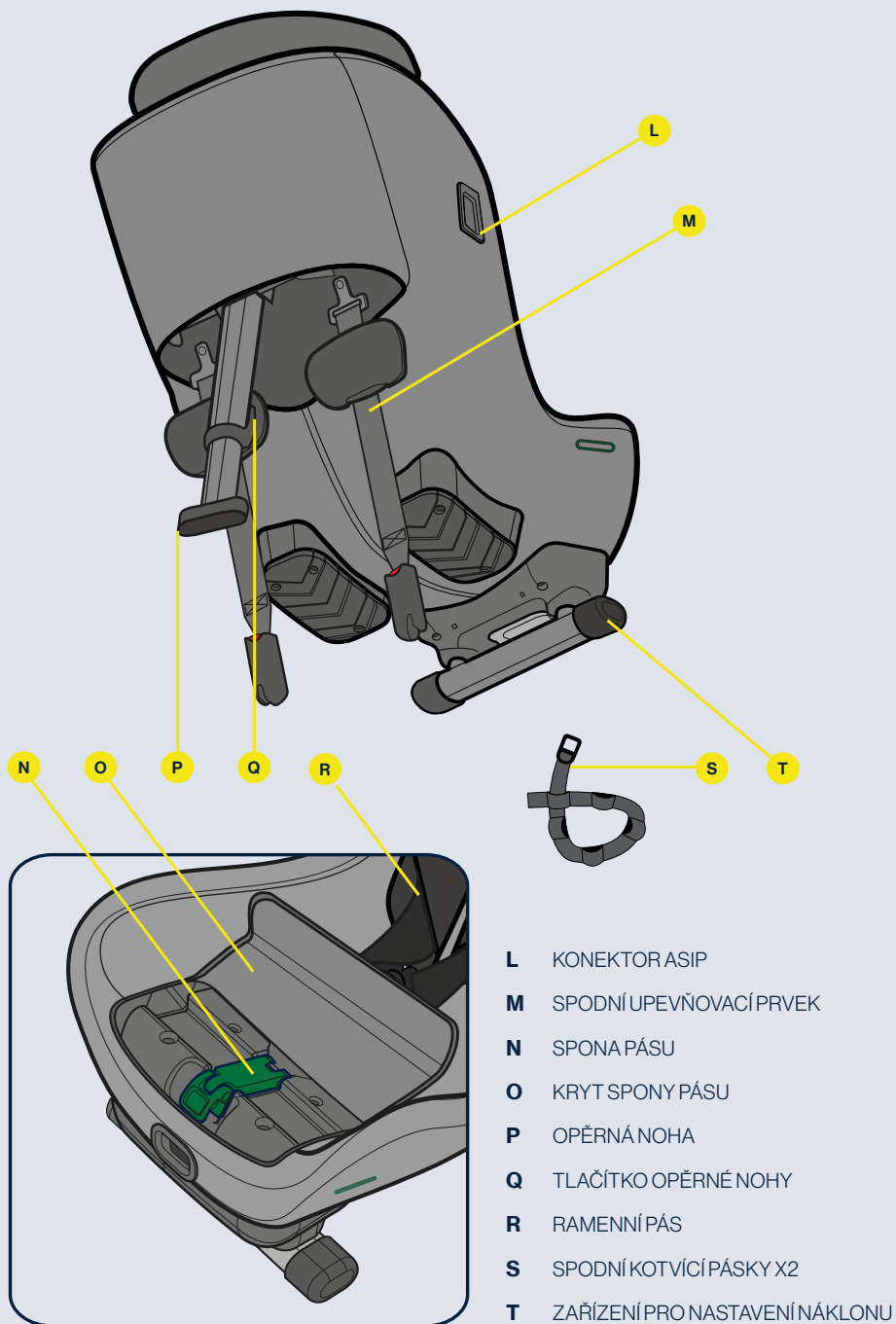
Součásti	84
Povolené a nepovolené umístění autosedačky AXKID MINIKID 4	86
Spodní kotvící prvky	86
Instalace spodních kotvících pásků	87
Umístění dítěte do autosedačky AXKID MINIKID 4	89
Polohování opěrky hlavy	90
Vyjmutí autosedačky AXKID MINIKID 4 z vozidla	90
Péče a údržba	91
Záruka	91

# Součásti



- A OPĚRKA HLAVY
- B INTEGROVANÉ POPRUHY
- C TLAČÍTKO PRO UVOLNĚNÍ SPONY
- D OTVOR PRO BEZPEČNOSTNÍ PÁS
- E TLAČÍTKO PRO UVOLNĚNÍ POPRUHŮ
- F PÁSEK PRO NAPNUTÍ POPRUHŮ
- G PÁČKA PRO NASTAVENÍ NÁKLONU
- H PÁČKA ZAJIŠTĚNÍ OPĚRKY HLAVY
- I OCHRANNÁ PODLOŽKA ASIP
- J PATKA
- K SVISLÁ DRÁŽKA



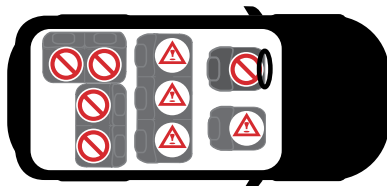




# Povolené a nepovolené umístění autosedačky AXKID MINIKID 4

Autosedačku AXKID MINIKID 4 lze instalovat pouze zády ke směru jízdy. Lze ji instalovat na většinu míst k sezení, ale ne na všechna. Najděte vhodné místo k sezení v příručce k vašemu vozidlu a podívejte se na seznam vozidel na [www.axkid.com](http://www.axkid.com)

Přední sedadlo spolujezdce (bez aktivního airbagu)	ANO/NE*
Přední sedadlo spolujezdce (s aktivním airbagem)	NE
Zadní sedadlo spolujezdce s tříbodovým bezpečnostním pásem	ANO
Sedadlo s dvoubodovým bezpečnostním pásem	NE
Sedadla obrácená bokem ke směru jízdy a sedadla obrácená proti směru jízdy	NE



**DŮLEŽITÉ:** Pokud chcete umístit autosedačku AXKID MINIKID 4 na místo vybavené čelním airbagem, je třeba airbag odpojit podle pokynů výrobce vozidla. Upozorňujeme, že u některých vozidel musí být odpojení airbagu provedeno autorizovaným servisním střediskem.

\* Obecné dopravní předpisy ve Španělsku v článku 117 zavádí bez výjimek zákaz vozit děti s výškou do 135 centimetrů na předních sedadlech vozidla.



## Spodní kotvící prvky Důležité informace

Spodní kotvící prvky se používají ke zvýšení ochrany dětí ve vozidlech tím, že umožňují pevnou a stabilní instalaci prodloužených autosedaček obrácených proti směru jízdy a přípevněných pásem. To zvyšuje bezpečnost vašeho dítěte při všech typech kolizí, včetně převrácení vozidla a nárazu zezadu.

Spodní upevnění je osvědčená metoda, která se v severovýchodních zemích široce používá již více než 40 let. V roce 2020 byla vydána nová mezinárodní norma ISO13216-4:2020 pro spodní kotvící prvky. Tato norma popisuje požadavky na spodní upevňovací prvky pro autosedačky, ale také na výrobce vozidel a jejich kotevní body. Cílem je zlepšit kompatibilitu a zajistit bezpečný a snadný způsob instalace do budoucna.

Spodní upevňovací prvky AXKID MINIKID 4 jsou v souladu s normou ISO13216-4:2020 a zajišťují dokonalé uchycení a snadnou instalaci ve vozidlech s předinstalovanými spodními kotvícími prvky, které rovněž splňují tuto normu. Pokud má vaše vozidlo kotevní body, které nevyhovují této normě, pravděpodobně bude možné nainstalovat spodní upevňovací pásy AXKID MINIKID 4, ale nelze to zaručit.

Předinstalované spodní kotvící prvky ve vozidlech se často nachází na kolejnicích sedadel přípevněných k podlaze, ale používají se i jiná místa. Další informace o použitelných kotevních bodech naleznete v návodu k obsluze vašeho vozidla.

Pro případ, že vaše vozidlo není vybaveno spodními kotvícími prvky, je autosedačka AXKID MINIKID 4 dodávána s přídatnými spodními kotvícími pásy (S), které lze nainstalovat do vašeho vozidla. Pokyny k instalaci naleznete v tomto návodu. Tyto pásy rovněž splňují normu ISO13216-4:2020 a při správné instalaci poskytují stejnou bezpečnost jako předinstalované kotvící prvky.

Někteří výrobci vozidel také nabízejí možnost dodatečné montáže spodních kotvících prvků. Další informace získáte od výrobce vozidla nebo prodejce. Spodní kotvící prvky Axkid pro dodatečnou montáž a spodní kotvící pásy extra lze zakoupit zvlášť.

**Poznámka:** Nikdy nepoužívejte autosedačku AXKID MINIKID 4 bez spodních upevňovacích prvků. Jsou důležitým bezpečnostním prvkem a musí být vždy použity při instalaci autosedačky.

# Instalace spodních kotvících pásků

Pro případ, že vaše vozidlo není vybaveno spodními kotvícími prvky, je autosedačka AXKID MINIKID 4 dodávána se spodními kotvícími páskami, které lze nainstalovat do vašeho vozidla. V závislosti na vašem vozidle a na místě k sezení, na které se rozhodnete instalovat autosedačku, existují různé možné kotevní body, které lze použít pro instalaci kotvících pásků. Alternativy viz níže.

Chcete-li nainstalovat spodní kotvící pásky (S), jednoduše vedte pásek kolem zvoleného kotvícího bodu a provlékněte kovový kotvící prvek jedním z otvorů na samotném pásku. Na kotvícím pásku je k dispozici několik otvorů. Použijte otvor, který je nejbliž ke kovovému kotvícímu prvku, a instalujte tak kovový kotvící prvek co nejbliž k podlaze vozidla. Jakmile to uděláte, zatáhněte za kovový kotvící prvek pro utažení pásku a tento postup opakujte pro druhý pásek. Při instalaci AXKID MINIKID 4 vždy používejte dva kotevní body a zvolte kotevní body, které jsou oddělené, protože je tím zajištěna stabilnější instalace.

## Možnosti vedení kotvícího pásku

alt. **a** Vedte pásek kolem okraje předinstalovaného kotvícího prvku (použijte tuto metodu pouze v případě, že předinstalované kotvící prvky přímo nesedí do spodních upevňovacích prvků)

alt. **b** Nainstalujte pásek kolem kolejnice sedadla před autosedačkou provlečením pásku mezi kolejnici sedadla a podlahu vozidla nebo vhodným otvorem v kolejnici sedadla.

alt. **c** Nainstalujte pásek kolem pantu sedadla vozidla před autosedačkou provlečením pásku mezi opěradlo sedadla vozidla a sedák sedadla.

alt. **d** Nainstalujte pásek kolem kolejnice sedadla pod autosedačkou provlečením pásku mezi kolejnici sedadla a podlahu vozidla nebo vhodným otvorem v kolejnici sedadla.

alt. **e** Pokud instalujete autosedačku AXKID MINIKID 4 na přední sedadlo spolujezdce a není k dispozici žádná z výše uvedených alternativ, je možné připevnit spodní kotvící pásky k vhodnému kotevnímu bodu v zadní části vozidla a vést pásky pod sedadlem vozidla k přední části vozidla. Ujistěte se, že kotvící pásky vycházejí z přední části sedadla a ne ze stran.

**Poznámka:** Vždy se ujistěte, že změna polohy jakéhokoli sedadla vozidla nebude nainstalovaným spodním kotvícím páskům překážet ani je nepoškodí.

**Poznámka:** Nikdy nepoužívejte ostré předměty k usnadnění vedení pásků, protože by mohly pásek poškodit.



# Instalace autosedačky AXKID MINIKID 4 ve vozidle.

Před instalací autosedačky AXKID MINIKID 4 se ujistěte, že máte ve vozidle spodní kotvicí prvky. Další informace a pokyny k instalaci naleznete v části o spodních kotvicích prvcích v této příručce.

1

Rozepněte zip a otevřete kryt spony pásu (O)

2

Umístěte autosedačku AXKID MINIKID 4 na sedadlo vozidla tak, aby zadní část autosedačky směřovala k přední části vozidla. Upravte prostor pro nohy vašeho dítěte jednoduchým pohybem autosedačky tam a zpět na sedadle vozidla. Autosedačku AXKID MINIKID 4 lze instalovat těsně k opěradlu sedadla vozidla, ale nikdy ji nelze instalovat s patkou (J) visící přes okraj sedadla vozidla. Ujistěte se, že svislá drážka (K) na patce (J) nikdy nepřesahuje okraj sedadla vozidla.

Nastavte náklon autosedačky stisknutím páčky pro nastavení náklonu (G) a vyberte vhodnou polohu sklonu. Pro maximální bezpečnost zvolte, pokud možno vzpřímenou, ale zároveň takovou polohu, aby hlavička dítěte nepadala dopředu, když dítě usne. Z důvodu pohodlí i bezpečnosti by měl být úhel náklonu nastaven do vzpřímenější polohy podle toho, jak dítě roste. Upozorňujeme, že při napínání spodních upevňovacích pásků (M) bude autosedačka lehce víc nakloněná, protože se vmáčkne do sedáku vozidla. Při instalaci autosedačky AXKID MINIKID 4 na přední sedadlo spolujezdce je možné, ale nikoliv nutné, aby se zadní část autosedačky dotýkala palubní desky.

3

Otevřete sponu pásu (N). Vytáhněte bezpečnostní pás vozidla na délku paže a provlékněte jej otvorem pro bezpečnostní pás (D), který je nejbližší k vám. Vedte pás sponou pásu (N) a provlékněte ho otvorem pro bezpečnostní pás (D) na opačné straně. Spojte bezpečnostní pás vozidla s přezkou bezpečnostního pásu a silně zatáhněte za ramenní část bezpečnostního pásu vozidla, abyste pás těsně přitáhli a připravili tak autosedačku. Čím silněji zatáhněte, tím pevnější bude instalace. Když je autosedačka pevně upevněna, zavřete sponu pásu (N) a zajistíte bezpečnostní pás vozidla v poloze. Ujistěte se, že ramenní i břišní část pásu jsou společně zajištěny ve sponě pásu (N). Zavřete kryt spony pásu (O) a zavřete zip. Pro ještě pevnější a stabilnější instalaci zatlačte na autosedačku, a přitom zatáhněte za ramenní pás.

4

Vytáhněte spodní upevňovací prvky (M) z autosedačky a připojte je ke spodním kotvicím prvkům ve vašem vozidle, další informace naleznete v části o spodních kotvicích prvcích v této příručce. Zatlačte na horní část autosedačky a kývejte autosedačkou ze strany na stranu a samonapínací spodní upevňovací prvky AXKID MINIKID 4 (M) se automaticky napnou. Napnutím spodních upevňovacích prvků (M) také nastavíte konečný úhel sklonu autosedačky. Dál tlačte na autosedačku, dokud nebude pevně upevněna a nedosáhnete vhodného úhlu sklonu. Zkontrolujte, zda je vidět bílá značka na spodním upevňovacím pásu. Pokud ne, jsou spodní kotvicí prvky příliš blízko autosedačky a je třeba je upravit. Pokud to není možné, můžete také překřížit spodní upevňovací prvky za sedadlem, abyste získali trochu větší vzdálenost.

5

Vytáhněte opěrnou nohu (P) z autosedačky. Stiskněte tlačítko opěrné nohy (Q) a prodlužte opěrnou nohu (P) tak, aby se zapřela o podlahu vozidla. Pustte tlačítko opěrné nohy (Q) a zvedněte autosedačku nahoru, aby se opěrná noha (P) dále prodloužila, dokud neuslyšíte cvaknutí. Opěrná noha (P) by nyní měla být zajištěna a pevně přitlačena k podlaze vozidla. Ujistěte se, že je opěrná noha (P) v úhlu cca 10° směrem k přední části vozidla. Znovu zkontrolujte bezpečnostní pás vozidla, abyste se ujistili, že je stále pevně napnutý a že při napínání spodních upevňovacích prvků a opěrné nohy nedošlo k povolení bederního pásu. Pokud se pás vozidla povolil, jednoduše jej znovu napněte opakováním kroku 2 tohoto návodu, aniž byste odpojili spodní upevňovací prvky.

6

Zatlačte ochrannou podložku ASIP (I) do šterbin na konektoru ASIP (L) a posuňte dolů, podložka ASIP (I) zaklapne na místo. Pokud je na ASIP konektoru (L) plastový kryt, sejměte jej a umístěte jej na ASIP konektor (L) na opačné straně sedadla, než nasadíte ochrannou podložku ASIP (I). Ujistěte se, že ochranná podložka ASIP (I) je připravena na té straně autosedačky AXKID MINIKID 4, která je nejbližší dverím vozidla.



# Umístění dítěte do autosedačky AXKID MINIKID 4

Před upoutáním dítěte do autosedačky AXKID MINIKID 4 se ujistěte, že máte v sedačce nainstalovanou správnou vložku. Autosedačka AXKID MINIKID 4 je navržena tak, aby rostla s vaším dítětem a dítěti se pohodlně a bezpečně přizpůsobila. Společnost Axkid doporučuje vložku používat, dokud není vašemu dítěti příliš těsná, ale do minimální výšky podle tabulky níže (upozornujeme, že věk je pouze orientační):

Věk	Výška	
Batole 0-3 roky	61– 105 cm	
Dítě 3-7 let	106 – 125 cm	

Autosedačka AXKID MINIKID 4 je vybavena automatickou opěrkou hlavy (A), která se při utažení popruhů sama spustí do správné polohy. Pro co nejlepší usazení společnost Axkid doporučuje používat tuto funkci pokaždé, když připoutáváte své dítě. Před umístěním dítěte do autosedačky se ujistěte, že je automatická opěrka hlavy (A) v odjištěné poloze. Další informace naleznete v části Nastavení opěrky hlavy (A).

**7**

Ujistěte se, že je páčka zajištění opěrky hlavy (H) nastavena do odjištěné polohy. Pokud je zajištěná, zatlačte páčku do odjištěné polohy.

**8**

Uvolněte popruhy stisknutím tlačítka po uvolnění popruhů (E) a vytáhněte oba ramenní pásy (R) současně. Netahejte pouze za jeden pás, protože by to mohlo způsobit nerovnoměrnost ramenních pásů (R). Ujistěte se, že je opěrka hlavy (A) vysunuta do horní polohy.

**9**

Odjistěte přezku popruhů stisknutím tlačítka pro uvolnění přezky (C) a dejte pásy mimo sedadlo.

**10**

Umístěte dítě do sedačky a přetáhněte ramenní pásy (R) přes ramena dítěte. Části spony připevněné k ramenním pásům (R) dejte k sobě a společně zatlačte do přezky, dokud neuslyšíte cvaknutí.

**11**

Zatáhněte za ramenní pásy (R), abyste utáhli popruhy přes kyčle dítěte. Držte ramenní pásy (R) napnuté a tahejte za pásek pro napnutí popruhů (F) přímo z autosedačky, dokud nebudou popruhy dostatečně utaženy. Mezi ramenní pásy (R) a ramena vašeho dítěte by se neměl vejít víc než jeden prst. Během napínání popruhů se opěrka hlavy (A) automaticky posune dolů do správné polohy pro vaše dítě.



# Polohování opěrky hlavy

Autosedačka AXKID MINIKID 4 je vybavena automatickou opěrkou hlavy (A), která zajistí, že je opěrka hlavy (A) vždy v optimální poloze pro vaše dítě. Když jsou popruhy utahovány, opěrka hlavy (A) se sama spustí do správné výšky a automaticky se v této poloze zajistí. Při uvolnění popruhů se opěrka hlavy (A) opět vysune zpět do horní polohy a odjistí se. Pro co nejlepší usazení společnost Axkid doporučuje používat tuto funkci pokaždé, když připoutáváte své dítě.

Opěrka hlavy (A) se odjistí pouze v horní poloze. Je proto důležité zajistit, aby se opěrka hlavy (A) při uvolňování popruhů vysunula zcela do horní polohy, jinak zůstane opěrka hlavy (A) zajištěná a při napínání popruhů se nespustí dolů.

Pokud chcete deaktivovat funkci automatického nastavení a ponechat opěrku hlavy (A) ve fixní poloze, umístěte opěrku hlavy (A) do požadované polohy a přepněte páčku zajištění opěrky hlavy (H) do zajištěné polohy. Opěrka hlavy (A) je nyní zajištěna v dané výšce a nepohne se, dokud páčku zajištění opěrky hlavy (H) nepřepnete zpět do odjištěné polohy.

Když používáte autosedačku AXKID MINIKID 4 s opěrkou hlavy (A) ve fixní poloze, ujistěte se, že je opěrka hlavy (A) umístěna ve správné výšce pro vaše dítě. Ujistěte se, že ramenní pásy (R) procházejí sedačkou přímo od ramen vašeho dítěte nebo maximálně o 1 cm výše. Pokud ne, nastavte opěrku hlavy (A) přepnutím páčky zajištění opěrky hlavy (H) do odjištěné polohy a zatlačením opěrky hlavy (A) do horní polohy ji odjistíte a poté postup opakujte.



# Vyjmutí autosedačky AXKID MINIKID 4 z vozidla

- Rozepněte zip a otevřete kryt spony pásu (O). Odjistěte bezpečnostní pás vozidla stisknutím červeného tlačítka na zámku bezpečnostního pásu. Otevřete sponu pásu (N) a zatáhnete za bezpečnostní pás vozidla a vedte jej skrz otvory pro bezpečnostní pás (D) a vyjměte je z autosedačky.
- Odjistěte spodní upevňovací pásy (M) tak, že rukou přidržíte konektory a palcem stisknete červené tlačítko. Držte konektor v ruce a pomalu jej zasuňte zpět do autosedačky. Dbejte na to, abyste nepustili konektor spodní upevňovací pásy, protože se automaticky zatáhne vysokou rychlostí.
- Stiskněte tlačítko opěrné nohy (Q) a stáhněte opěrnou nohu (P) do nejkratší polohy.
- Stiskněte páčku pro nastavení náklonu (G) a zatlačte zařízení pro nastavení náklonu (T) do nejkratší polohy. Zvedněte autosedačku AXKID MINIKID 4 z vozidla.

**Tip:** Před vyjmutím autosedačky z vozidla zajistěte přezkou popruhů a popruhy napněte. Ramenní pásy (R) pak můžete použít jako rukojeť pro přenášení, což usnadňuje zvednutí autosedačky a její přenesení mimo vozidlo.

**Důležité:** Nikdy nepřeházejte autosedačku za opěrku hlavy (A)

## Recyklace vaší autosedačky



Axkid důrazně doporučuje recyklaci starých autosedaček. Před opuštěním sedačky v místní recyklační stanici odřízněte popruhy ze sedačky, sejmete textilní potah, odstraňte co nejvíce polystyrenových dílů, pokud možno oddělte kovové a plastové části. Hlavní část sedačky by měla být označena jako nebezpečná nebo prošlá (použijte fix), aby se někdo odradil od jejího opětovného použití. Pokyny pro recyklaci různých materiálů naleznete v místních směrnicích.

# Péče a údržba

Potah autosedačky můžete sejmut a vyprat v pračce na jemný prací program do 30°C. Nesušte potah v sušičce. Mohlo by dojít k jeho poškození a polstrování by se mohlo oddělit od tkaniny. Na webu [www.axkid.com](http://www.axkid.com) najdete videa, která vysvětlují, jak sundat a opět nasadit potahy.

## Sejmutí textilního potahu:

- Odstraňte ochrannou podložku ASIP (I), pokud je připojena.
- Nastavte páčku zajištění opěrky hlavy (H) do odjištěné polohy a uvolněte popruhy stisknutím tlačítka pro uvolnění popruhů (E) a vytáhněte oba ramenní pásy (R) současně.
- Rozepněte oba zipy na spodní straně opěrky hlavy (A) a opatrně stáhněte potah z opěrky hlavy (A).
- Spusťte opěrku hlavy (A) do nejnižší polohy a přepněte páčku zajištění opěrky hlavy (H) do zajištěné polohy.
- Odjistěte přezku popruhů stisknutím tlačítka pro uvolnění přezky (C) a sejměte kryt přezky.
- Rozepněte zip a otevřete kryt spony pásu (O) a sejměte plastový kryt (O) z textilního potahu.
- Rozepněte zip pod autosedačkou a rozepněte 4 knoflíky na textilním potahu na zadní straně autosedačky.
- Rozepněte oba zipy na opěradla na vnitřní straně autosedačky a jemně sejměte textilní potah z autosedačky. Dávejte pozor kolem ochranné podložky ASIP a dalších plastových krytů, abyste nepoškodili textilii, netahejte příliš silně.
- Otevřete ramenní vycpávky a jemně je oddělte od suchého zipu.

## Nasazení textilního potahu

- Pro nasazení textilního potahu zpět na autosedačku postupujte podle výše uvedených pokynů v opačném pořadí.
- Upozorňujeme, že ramenní vycpávky lze instalovat do různých poloh. Nainstalujte je do polohy vhodné pro vaše dítě. Ramenní vycpávky by měly být umístěny v horní části ramen a na hrudi vašeho dítěte. Rovněž se ujistěte, že pogumovaná strana ramenní vycpávky směřuje k hrudi vašeho dítěte.

Pokud je třeba vyměnit textilní potah, použijte pouze originální výrobky značky Axkid. Při použití jiných výrobků může dojít ke zhoršení funkčnosti bezpečnostního systému autosedačky AXKID MINIKID 4, což by mohlo v případě autonehody vést k vážnému úrazu.

Všechny plastové části autosedačky AXKID MINIKID 4 lze čistit prostředkem na mytí nádobí a vodou. Nepoužívejte agresivní chemikálie obsahující rozpouštědla apod., protože by mohly plast poškodit a ohrozit bezpečnost autosedačky.

# Záruka

Na autosedačku AXKID MINIKID 4 se vztahuje záruka 24 měsíců od data koupě. Účtenku si nezapomeňte uschovat, abyste ji mohli předložit prodejci v případě reklamace, na kterou se záruka nevztahuje.

- Běžné opotřebení
- poškození způsobené nesprávným používáním, zanedbáním nebo nehodou,
- opravy provedené třetí stranou,
- všechny použité materiály mají velmi vysokou odolnost proti UV záření. UV záření je však velmi agresivní a časem způsobí vyblednutí potahu autosedačky. Na vyblednutí se nevztahuje naše záruka, protože je považováno za normální opotřebení.
- Zacházejte se sedačkou opatrně. Nikdy nepřeházejte autosedačku tak, že ji budete držet za opěrku hlavy (A).

# Tack för att du valt AXKID MINIKID 4

Läs denna instruktionsbok innan du monterar bilbarnstolen AXKID MINIKID 4 i bilen.  
Mer information och monteringsfilmer finns på [www.axkid.com](http://www.axkid.com).

**AXKID MINIKID 4** är en bakåtvänd bilbarnstol som är godkänd för barn som är mellan 61-125 cm långa, ≤36 kg

AXKID MINIKID 4 bilbarnstol är lämplig att använda från ca sex månaders ålder, eller från det att barnet kan sitta själv utan stöd.

Detta är en integrerad förstärkt bilbarnstol för fastspänning med bilbälte i specifika fordon. Det är godkänt i enlighet med FN-föreskrift nr 129 för användning i kompatibla fordonssittlägen som angivet i fordonslistan. Om du är osäker, vänd dig antingen till tillverkaren av det förbättrade bilbarnstolssystemet ([www.axkid.com](http://www.axkid.com)) eller återförsäljaren.

## Viktig information

För att maximera säkerheten för barnet är det viktigt att tänka på följande:

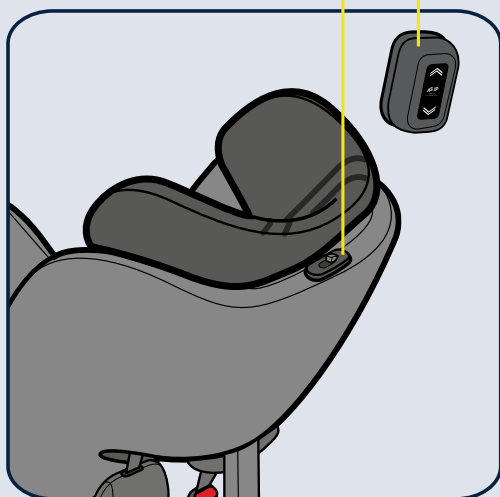
- Följ alltid anvisningarna i instruktionsboken noggrant. En felaktig montering kan allvarligt påverka säkerheten för ditt barn. Om du är osäker på om du gjort rätt, kontakta din återförsäljare som kan visa dig korrekt montering.
- Spara denna instruktionsbok för framtida bruk. Om instruktionsboken går förlorad kan du hitta den online på [www.axkid.com](http://www.axkid.com)
- Använd inte en AXKID MINIKID 4 bilbarnstol på ett säte med en aktiv frontalkrockkudde. Om du trots allt vill montera AXKID MINIKID 4 på denna plats måste krockkudden kopplas ur enligt fordonstillverkarens anvisningar.
- Bilbarnstolen ska bytas ut om den varit med om en olycka, oavsett hur liten olyckan än är. Den kan ha skador som inte syns vilka allvarligt kan påverka säkerheten för ditt barn. Därför avråder Axkid alltid från att köpa en begagnad bilbarnstol.
- Om AXKID MINIKID 4-bilbarnstolen har utsatts för direkt solljus, kontrollera att sätet inte är för varmt innan du sätter fast ditt barn.
- Lämna aldrig barnet utan uppsikt i bilen.
- Se till att eventuellt bagage och lösa föremål är ordentligt fästa i bilen eftersom de kan orsaka personskada vid en olycka.
- Se till att AXKID MINIKID 4-bilbarnstolen är monterad så att inga delar kan fastna i rörliga säten, bildörrar osv.
- Om du använder de nedre fästremmarna, se till att de är installerade så att de inte är i vägen för någon stol när den ska justeras.
- AXKID MINIKID 4-bilbarnstolen får endast monteras bakåtvänd.
- Se alltid till att bältet är justerat för att korrekt passa ditt barns kropp. Bältet justeras genom att man flyttar huvudstödet.
- Se till att barnets rygg ligger mot bilbarnstolen när du spänner fast ditt barn med bältet.
- Se alltid till att bältet är ordentligt åtdraget mot ditt barn och att spännet är helt låst. Du ska inte kunna nypa tag om remmarna.
- Se till att bältet inte har snott sig.
- Se alltid till att stödbenet är i rätt position och att det har kontakt med fordonets golv. Stödbenet är en mycket viktig säkerhetsdetalj som är utformad för att maximera barnets säkerhet vid en olycka.
- Försök inte att demontera eller modifiera någon del av AXKID MINIKID 4-bilbarnstolen. Garantin och säkerhetsprestandan för Axkid-bilbarnstolen kan påverkas om du gör det.
- Använd aldrig AXKID MINIKID 4-bilbarnstolen utan tygklädseln. Sitsens tygklädsel är en säkerhetsfunktion och får endast ersättas med en Axkid-originalklädsel i tyg.
- Läs fordonshandboken och fordonslistan på [www.axkid.com](http://www.axkid.com) för att se vilka sittplatser som är lämpliga att använda för denna bilbarnstol
- Axkid rekommenderar att alltid använda sitsskydd för att skydda bilens säte från repor och smuts.
- Om du känner dig osäker, kontakta återförsäljaren där bilbarnstolen köptes eller kontakta [info@axkid.com](mailto:info@axkid.com)



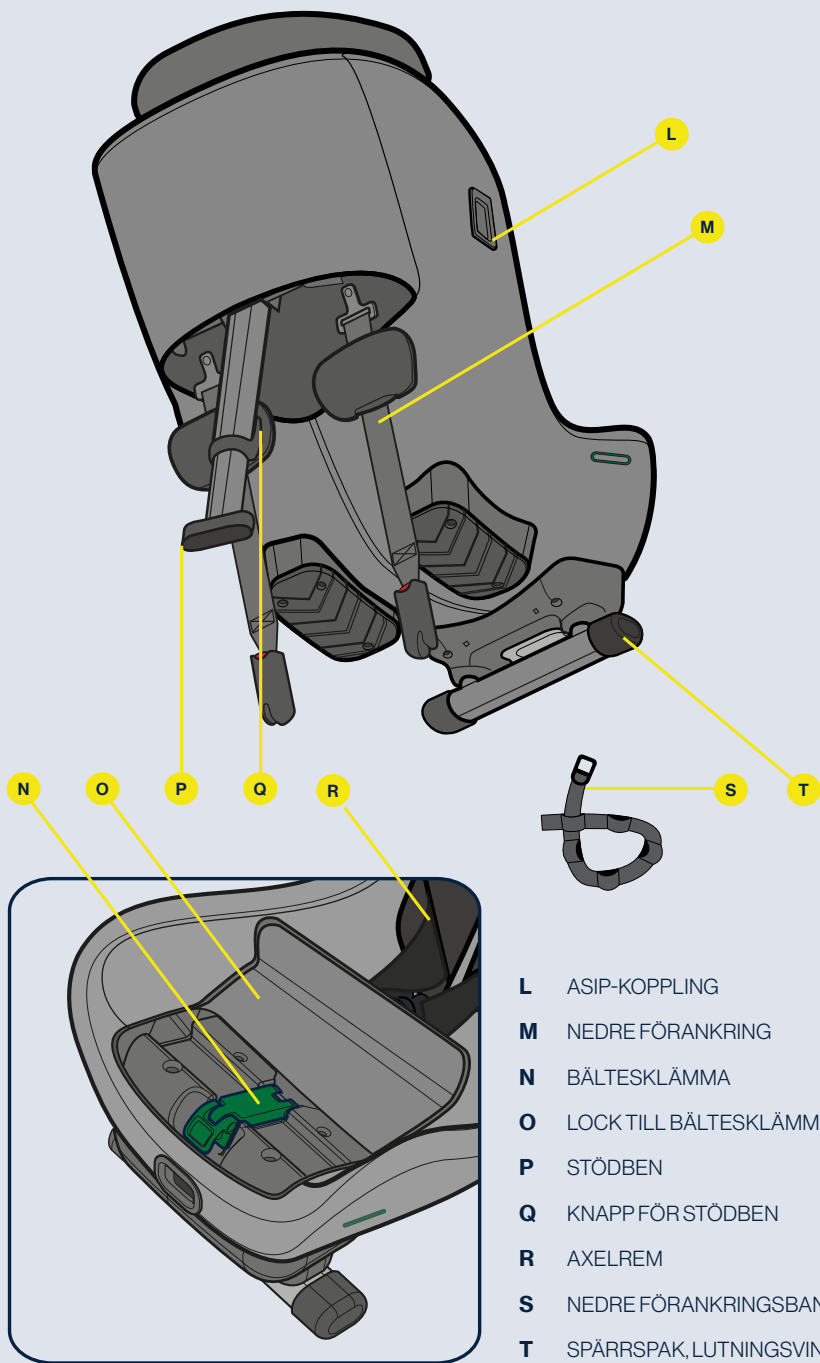
# Innehållsförteckning

Delar	94
Tillåten och otillåten placering av bilbarnstolen AXKID MINIKID 4	96
Nedre förankringsband	96
Installera de nedre förankringsbanden	97
Spänna fast ditt barn i AXKID MINIKID 4-bilbarnstolen	99
Justering av nackstöd	100
Plocka ut AXKID MINIKID 4 bilbarnstolen ur fordonet	100
Skötsel och underhåll	101
Garanti	101

# Delar



- A NACKSTÖD
- B BILBARNSTOLENS EGET BÄLTE
- C FRIGÖRINGSKNAPP
- D ÖPPNING FÖR SÄKERHETS BÄLTE
- E FRIGÖRINGSKNAPP FÖR BÄLTE
- F SPÄNNBAND FÖR BÄLTE
- G LUTNINGSSPAK
- H LÅSREGLAGE FÖR HUVUDSTÖD
- I ASIP-SKYDD
- J HÄL
- K LODLINJE



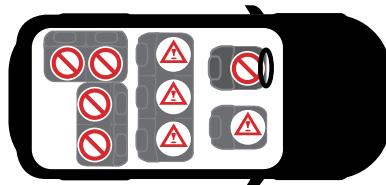
- L** ASIP-KOPPLING
- M** NEDRE FÖRANKRING
- N** BÄLTESKLÄMMA
- O** LOCK TILL BÄLTESKLÄMMA
- P** STÖDBEN
- Q** KNAPP FÖR STÖDBEN
- R** AXELREM
- S** NEDRE FÖRANKRINGSBAND X2
- T** SPÄRRSPAK, LUTNINGSVINKEL



# Tillåten och otillåten placering av bilbarnstolen AXKID MINIKID 4

AXKID MINIKID 4-bilbarnstolen får endast monteras bakåtvänd. Bilbarnstolen passar på de flesta, men inte alla platser. Kontrollera vilka sittpositioner som är lämpliga i fordonets instruktionsbok och kontrollera fordonslistan på [www.axkid.com](http://www.axkid.com)

Främre passagerarsäte (utan aktiv airbag)	JA/NEJ*
Främre passagerarsäte (med aktiv airbag)	NEJ
Baksäte med trepunktsbälte	JA
Säte med tvåpunktsbälte	NEJ
Sido- och bakåtvända säten	NEJ



**VIKTIGT!** Om du vill installera din AXKID MINIKID 4-bilbarnstol på en plats där det sitter en frontalkrockkudde monterad måste krockkudden plockas bort enligt fordonstillverkarens anvisningar. Observera att för vissa fordon krävs det att ett auktoriserat Service Center plockar bort krockkudden.

\* Enligt artikel 117 i Spaniens allmänna trafikregleringen är det, utan undantag, förbjudet att köra med barn som är 135 centimeter långa eller kortare i fordonets framsäten.



## Nedre förankringsband

### Viktig information

De nedre förankringsbanden (LTA) används för att förbättra skyddet av barn i bilar genom att tillhandahålla en fast och stabil installation för förlängda bakåtvända bilbarnstolar som fästs med säkerhetsbälte. Detta ökar säkerheten för ditt barn i alla typer av kollisioner, inklusive voltningar och påkörning bakifrån.

Nedre förankringar är en väletablerad metod som har använts flitigt i de nordiska länderna i över 40 år. 2020 publicerades en ny internationell standard för LTA, ISO13216-4:2020. Denna standard beskriver kraven för nedre förankringar för bilbarnstolar men också för fordonstillverkare och deras förankringspunkter. Syftet är att förbättra kompatibiliteten och säkerställa ett säkert och enkelt sätt att installera för framtiden.

De nedre förankringsbanden på AXKID MINIKID 4 ISO13216-4:2020, säkerställer perfekt passform och enkel installation i fordon med förinstallerade nedre fästpunkter som också uppfyller kraven i denna standard. Om ditt fordon har fästpunkter som inte uppfyller kraven i standarden, kommer förankringsbanden på AXKID MINIKID 4 förmodligen ändå att passa, men vi kan inte garantera det.

De förinstallerade nedre fästpunkterna i fordon sitter ofta på stolsskenorna som är fästa i golvet, men andra positioner används också. Se ditt fordon's bruksanvisning för mer information om vilka fästpunkter du kan använda.

Om ditt fordon inte har några nedre fästpunkter, levereras AXKID MINIKID 4 med extra nedre förankringsband (S) som kan installeras i ditt fordon. Se denna bruksanvisning för installationsanvisningar. Dessa band uppfyller kraven enligt ISO13216-4:2020 och korrekt installerade ger de samma säkerhet som förinstallerade fästpunkter.

En del fordonstillverkare erbjuder också möjlighet att eftermontera nedre fästpunkter. Kontakta din fordonstillverkare eller återförsäljare för mer information. Axkid eftermonterar nedre förankringar och extra nedre förankringsband kan köpas till separat.

**OBS!** Använd aldrig AXKID MINIKID 4 utan de nedre förankringsbanden. De är en viktig säkerhetsdetalj och måste alltid användas när du installerar bilbarnstolen.

# Installera de nedre förankringsbanden

Om ditt fordon inte har några lämpliga nedre förankringsband, levereras AXKID MINIKID 4 med nedre förankringsband som kan installeras i ditt fordon. Beroende på ditt fordon och platsen som du väljer att installera bilbarnstolen på, finns det olika möjliga förankringspunkter som du kan använda för att installera förankringsbanden. Se nedan för alternativ.

För att installera de nedre förankringsbanden (S) drar du bara bandet runt den förankringspunkt som du har valt och trår metallförankringen genom en av öppningarna i bandet. Förankringsbandet har flera öppningar som du kan välja mellan. Se till att du använde den öppning som är närmast metallförankringen så att denna installeras så nära fordonets golv som möjligt. När du har gjort detta drar du i metallförankringen för att dra åt bandet. Upprepa processen för det andra bandet. Använd alltid två förankringspunkter när du installerar AXKID MINIKID 4 och väljer förankringspunkter som sitter en bit från varandra eftersom detta ge en stabilare installation.

## Alternativ för dragning av förankringsbanden

alt. **a** Dra bandet runt kanten på det förinstallerade fästet (använd bara denna metod om de förinstallerade fästpunkterna inte passar med de nedre förankringarna direkt)

alt. **b** Installera bandet runt stolsskenan framför bilbarnstolen genom att dra bandet mellan stolsskenan och fordonets golv eller genom lämpligt hål i stolsskenan.

alt. **c** Installera bandet runt gångjärnet på fordonssätet framför bilbarnstolen genom att trä in bandet mellan ryggstödet på stolen och sittdynan.

alt. **d** Installera bandet runt stolsskenan under bilbarnstolen genom att dra bandet mellan stolsskenan och fordonets golv eller genom lämpligt hål i stolsskenan.

alt. **e** När du installerar AXKID MINIKID 4 i det främre passagerarsätet och inget av alternativen ovan är tillgängligt, går det att fästa de nedre förankringsbanden i lämplig förankringspunkt bak i fordonet och dra banden under det främre passagerarsätet. Se till att förankringsbanden sticker ut på stolens framsida och inte från sidorna.

**OBS!** Se alltid till att de nedre förankringsbanden inte är i vägen för eller kan skadas vid justering av en stols position i fordonet

**Obs!** Använd aldrig vassa föremål för att underlätta dragning av banden eftersom bandet kan skadas.



# Montera AXKID MINIKID 4-bilbarnstolen i fordonet

Innan du installerar AXKID MINIKID 4, se till att det finns nedre fästpunkter i fordonet. Se avsnittet om nedre fästpunkter i denna bruksanvisning för mer information och installationsanvisningar.

1

Dra upp dragkedjan och öppna locket till bältesklämman (O)

2

Placera AXKID MINIKID 4 i sätet så att ryggen på bilbarnstolen pekar framåt i bilens färdriktning. Justera enkelt benutrymmet för ditt barn genom att flytta bilbarnstolen bakåt eller framåt på bilsätet. AXKID MINIKID 4 kan installeras tätt mot fordonssätets rygg men får aldrig installeras med hälen (J) hängande ut över kanten på fordonssätet. Se till att den vertikala linjen (K) på hälen (J) aldrig sticker ut över kanten på fordonssätet.

Justera bilbarnstolens vinkel genom att trycka in spaken för justering av stolens lutning (G) och välj lämplig lutning på ryggstödet. För maximal säkerhet, välj en så upprätt position som möjligt samtidigt som du säkerställer att ditt barns huvud inte faller framåt när det sover. Av såväl komfort- som säkerhetsskäl bör lutningen på bilbarnstolens ryggstöd ställas i en mer upprätt position när ditt barn har blivit lite större. Observera att när de nedre förankringsbanden (M) spänns kommer bilbarnstolen att få en lite större lutning eftersom den då sjunker ner i fordonstolens sittdyna. Vid montering av AXKID MINIKID 4 i framsätet kan bilbarnstolens ryggstöd ha kontakt med instrumentbrådan, men det är inte nödvändigt.

3

Öppna bältesklämman (N). Dra ut en armlängd av fordonets säkerhetsbälte och trä det genom öppningen för säkerhetsbältet (D) som är närmast dig. Dra bältet genom bältesklämman (N) och trä det genom öppningen för säkerhetsbältet (D) på motsatt sida. Sätt ihop fordonets säkerhetsbälte med säkerhetsbältets spänne och dra hårt i axeldelen på fordonets säkerhetsbälte för att eliminera slack och spänna fast bilbarnstolen. Ju hårdare du drar, desto hårdare spänns bilbarnstolen fast. När bilbarnstolen sitter fast ordentligt stänger du bältesklämman (N) och låser fordonets säkerhetsbälte på plats. Se till att både axel- och höftbältet är fastlåsta i bältesklämman (N). Stäng locket till bältesklämman (O) och dra igen dragkedjan. För en ännu fastare och stabilare installation trycker du ner bilbarnstolen i sätet samtidigt som du drar i säkerhetsbältet.

4

Dra ut de nedre förankringsbanden (M) från bilbarnstolen och spänn fast dem i de nedre fästpunkterna i ditt fordon, se avsnittet om nedre fästpunkter i denna handbok för mer information. Tryck upp på bilbarnstolen och vicka den från sida till sida så spänns de självspännande nedre förankringsbanden (M) på AXKID MINIKID 4 automatiskt. Genom att spänna de nedre förankringsbanden (M) ställer du också in den slutliga lutningen på bilbarnstolens ryggstöd. Fortsätt att trycka mot bilbarnstolen tills banden har dragits åt ordentligt, och du har uppnått en lämplig vinkel på ryggstödet. Kontrollera att den vita markeringen på förankringsbandet är synlig. Om inte sitter de nedre förankringsbanden för nära bilbarnstolen och behöver justeras. Om inte det går, kan du också korsa de nedre förankringsbanden bakom sätet för att skapa ett lite större avstånd mellan banden och stolen.

5

Dra ut stödbenet (P) från bilbarnstolen. Tryck på stödbenets knapp (Q) och dra stödbenet (P) nedåt tills det är i kontakt med fordonets golv. Släpp upp stödbenets knapp (I) och lyft bilstolen uppåt för att ytterligare förlänga stödbenet (R) tills du hör ett klick. Stödbenet (P) bör nu vara låst och ordentligt pressat mot fordonets golv. Se till att stödbenet har en vinkel på cirka 10° mot fordonets front. Kontrollera fordonets säkerhetsbälte igen för att försäkra dig om att det är ordentligt fastspänt/att inget slack har uppstått i höftbältet när du spände de nedre förankringsbanden och stödbenet. Om fordonets säkerhetsbälte har fått lite slack, spänner du det enkelt genom att upprepa steg 2 i denna guide utan att koppla från de nedre förankringsbanden.

6

För in ASIP-skyddet (I) i spåren på ASIP-kopplingen (L) och för nedåt så klickar ASIP-skyddet (I) på plats. Om det finns ett plasthölje på ASIP-kopplingen (L), ta bort det och placera det på ASIP-kopplingen (L) på den motsatta sidan av sätet innan du monterar ASIP-skyddet (I). Se till att ASIP-skyddet (I) är fäst på den sida av AXKID MINIKID 4-bilbarnstolen som är närmast fordonets dörr.



# Spänna fast ditt barn i AXKID MINIKID 4-bilbarnstolen

Innan du spänner fast ditt barn i AXKID MINIKID 4-bilbarnstolen, se till att korrekt inlägg är monterade i sätet. Axkid MINIKID 4 är utformad för att växa med ditt barn och för att garantera en bekväm och säker passform för alla barn. Axkid rekommenderar att använda inlägget tills passformen är för snäv för ditt barn, minimilängden enligt tabellen nedan ska dock respekteras (observera att åldern endast är en indikation):

Ålder	Längd	
Småbarn 0-3 år	61–105 cm	
Barn 3-7 år	106–125 cm	

AXKID MINIKID 4 är utrustad med ett automatisk nackstöd (A) som sänks till rätt position när selen dras åt. För att säkerställa bästa möjliga passform rekommenderar Axkid att du använder denna funktion varje gång du spänner fast ditt barn. Innan du placerar barnet i bilbarnstolen är det viktigt att det automatiska nackstödet (A) är i olåst läge. Se avsnittet om justering av nackstödet (A) för mer information.

**7**

Se till att låsreglaget för nackstödet (H) är inställt på olåst. Om reglaget är låst, flyttar du det till olåst läge.

**8**

Lossa bältet genom att trycka på bältets frigöringsknapp (E) och dra ut båda axelbanden (R) på samma gång. Undvik att endast dra i ett band i taget eftersom det kan leda till att axelbanden (R) blir ojämnt. Se till att nackstödet (A) skjuts upp till det övre läget.

**9**

Lås upp bältesspännet genom att trycka på spännets frigöringsknapp (E) och placera banden utanför sätet.

**10**

Placera ditt barn i sätet och placera axelbanden (R) över barnets axlar. Lås bältet genom att först sätta ihop spännedelarna som är fästa i axelbanden (R) och tryck sedan in dem i spännet tills du hör ett klickjud.

**11**

Dra i axelbanden (R) för att dra åt bältet över barnets höfter. Samtidigt som du behåller spänningen i axelbanden (R) drar du bältets spännband (F) rakt ut från bilbarnstolen tills bältet är tillräckligt åtdraget. Du ska inte kunna föra in mer än ett finger mellan axelbanden (R) och ditt barns axlar. När selen spänns kommer nackstödet (A) automatiskt att sänkas till rätt position för ditt barn.



# Justering av nackstöd

AXKID MINIKID 4 är utrustad med ett automatiskt nackstöd (A) som säkerställer att nackstödet (A) alltid är i bästa position för ditt barn. När selen späns, sänks nackstödet (A) till rätt höjd och låser därefter automatiskt i position. När selen lossas, höjs nackstödet (A) till den översta positionen igen och låses upp. För att säkerställa bästa möjliga passform rekommenderar Axkid att du använder denna funktion varje gång du spänner fast ditt barn.

Nackstödet (A) låses bara upp i det översta läget. Det är därför viktigt att se till att nackstödet (A) går hela vägen upp till det översta läget när selen lossas, eftersom nackstödet (A) annars fortsätter att vara låst och inte sänks när man spänner selen.

Om du vill inaktivera den automatisk inställningsfunktionen så att nackstödet (A) alltid är i låst läge, placerar du nackstödet (A) i önskad position och för låsreglaget för nackstödet (H) till låst läge. Nackstödet (A) är nu låst i höjddled och går inte att flytta förrän du för låsreglaget för nackstödet (H) till olåst/upplåst läge igen.

När AXKID MINIKID 4 används med nackstödet (A) i låst läge är det viktigt att nackstödet (A) är placerat i rätt höjd för ditt barn. Kontrollera att axelbanden (R) går vinkelrätt in genom sätet från barnets axlar eller högst 1 cm ovanför. Om inte justerar du nackstödet (A) genom att föra låsreglaget för nackstödet (H) till olåst läge och tryck nackstödet (A) upp till det översta läget för att låsa upp det. Upprepa sedan proceduren.



## Plocka ut AXKID MINIKID 4 bilbarnstolen ur ditt fordon

- Dra upp dragkedjan och öppna locket till bältesklämman (O). Lås upp bilbältet genom att trycka in den röda knappen på bältes-spännet Öppna bältesklämman (N) och dra i bilbältet och för det sedan genom öppningarna för bältet (D) och ta bort det från bilbarnstolen
- Lås upp de nedre förankringsbanden (M) genom att hålla i fästena med handen och trycka in den röda knappen med tummen. Medan du håller spännet i handen matar du långsamt tillbaka till bilbarnstolen. Se upp så att du inte tappar spännet till det nedre förankringsbandet, eftersom detta automatiskt dras in i hög fart.
- Tryck på knappen för stödbenet (Q och komprimerade stödbenet (P till dess kortaste position.
- Tryck in justeringsspaken för ryggstödet lutning (G) och tryck in spärrspaken för lutningsvinkeln (T) så att den hamnar i det kortaste läget. Lyft ut AXKID MINIKID 4 ur fordonet

**Tips:** Lås bältesspännet och spänn bältet innan du tar ut bilbarnstolen ur fordonet. Då kan du använda axelremmarna (R) som bärhandtag, vilket gör det enklare att lyfta ut bilbarnstolen och ta den med sig utanför fordonet.

**Viktigt!** Bär aldrig bilbarnstolen i nackstödet (A)

### Återvinning av din bilbarnstol.



Axkid rekommenderar starkt återvinning av gamla bilbarnstolar. Innan du lämnar sätet på din lokala återvinningsstation, klipp av selen från sätet, ta bort textilöverdraget, ta bort så många frigittdelar som möjligt, separera metall- och plastdelar om möjligt. Huvuddelen av sätet ska vara märkt som osäkert eller utgått (använd en markör) för att avskräcka någon från att använda den igen. Se din lokala kommunala riktlinjer för återvinningsinstruktioner för de olika materialen.





# Skötsel och underhåll

Sätets tygklädsel kan tvättas i maskin på 30 °C handtvättsprogram. Torka inte i torktumlare, det kan skada klädseln och vadderingen kan lossna från tyget. På [www.axkid.com](http://www.axkid.com) finns filmer som visar hur man tar av och sätter tillbaka klädseln.

## Ta bort tygklädseln:

- Ta bort ASIP-skyddet (I) om detta är monterat.
- Ställ in det automatiska låsreglaget för nackstödet (H) i läge oläst och lossa bältet genom att trycka på bältets frigöringsknapp (E) och dra ut båda axelbanden (R) på samma gång.
- Öppna de båda dragkedjorna på undersidan av nackstödet (A) och dra försiktigt av överdraget från nackstödet (A).
- Sänk ner nackstödet (A) till den lägsta positionen och flytta det automatiska låsreglaget för nackstödet till låst läge.
- Lås upp bältesspännnet genom att trycka på spännets frigöringsknapp (C) och ta bort bältesspännnet.
- Öppna dragkedjan och locket till bältesklämman (O) och ta sedan bort plastlocket (O) från textilöverdraget.
- Öppna dragkedjan under bilbarnstolen och knäpp upp de fyra knapparna på textilklädseln på baksidan av bilbarnstolen.
- Öppna de båda dragkedjorna på ryggstödet på bilbarnstolens insida och dra försiktigt av tygklädseln från stolen. Var försiktig i närheten av ASIP-skyddet och andra plastskydd så att inte textilen skadas, dvs. dra inte för hårt.
- Öppna axelkuddarna och ta försiktigt ut dem från karborrbandet.

## Installera tygklädseln

- Utför stegen i instruktionen ovan i omvänd ordning för att installera textilklädseln på bilbarnstolen igen.
- Observera att axelkuddarna kan installeras i olika positioner. Installera dem i en position som passar ditt barn. Axelkuddarna ska placeras ovanför axeln och på ditt barns bröst. Se även till att gummisidan på axelkudden är vänd mot ditt barns bröst.

Om textilklädseln behöver bytas ut, använd endast originalprodukter från Axkid. Om andra produkter används kan säkerhetssystemet hos AXKID MINIKID 4-bilbarnstolen äventyras, vilket kan orsaka allvarlig personskada vid en olycka. Alla plastdelar på AXKID MINIKID 4 bilbarnstol kan rengöras med mildt rengöringsmedel och vatten. Använd inte starka kemikalier som innehåller lösningsmedel och liknande, eftersom det kan skada plasten och försämra bilbarnstolens säkerhet.

# Garanti

AXKID MINIKID 4-bilbarnstolen omfattas av en 24 månaders garanti från inköpsdatumet. Spara alltid kvittot och ta med det till återförsäljaren vid eventuell reklamation som inte täcks av garantin.

- Normalt slitage
- Skada till följd av felaktig användning, försummelse eller olycka
- Reparationer som utförts av tredje part
- Alla material har hög motståndskraft mot UV-strålning. UV-strålning från solen är emellertid mycket stark och gör att tyget bleks. Detta omfattas inte av garantin utan anses vara normalt slitage.
- Hantera sätet med försiktighet. Bär aldrig bilbarnstolen i nackstödet (A).

# Takk for at du har valgt AXKID MINIKID 4

Les denne bruksanvisningen før du monterer bilstolen AXKID MINIKID 4 i kjøretøyet. Du finner mer informasjon og monteringsvideoer på [www.axkid.com](http://www.axkid.com).

**AXKID MINIKID 4** er en bakovervendt bilbarnestol godkjent for barn med en høyde mellom 61 - 125 cm, ≤36 kg

AXKID MINIKID 4 er egnet for bruk fra ca. seks måneder, eller fra barnet ditt kan sitte uten støtte. Dette er et integrert kjøretøyspesifikt beltebasert forbedret barnesikringssystem. Systemet er godkjent i henhold til FNs sikkerhetskrav nr. 129 for bruk i kompatible seteplasser som angitt i listen over kjøretøy. Er du usikker, ber vi deg kontakte produsenten av barnesikringssystemet ([www.axkid.com](http://www.axkid.com)) eller forhandleren.

## Viktig informasjon

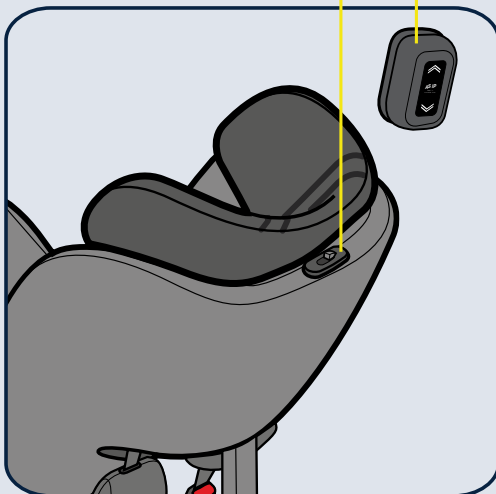
For at barnet skal være maksimalt beskyttet er det viktig å huske følgende:

- Følg alltid instruksjonene i denne bruksanvisningen. Feilaktig montering kan få alvorlige følger for barnets sikkerhet. Er du usikker, ber vi deg kontakte forhandleren for å få en demonstrasjon av riktig montering.
- Ta vare på denne bruksanvisningen for fremtidig referanse. Skulle du miste bruksanvisningen, finner du den på [www.axkid.com](http://www.axkid.com)
- Ikke bruk AXKID MINIKID 4 på en seteplass der det er montert en aktiv kollisjonspute. Hvis du likevel ønsker å montere AXKID MINIKID 4 på denne plassen, må kollisjonsputen deaktiveres i henhold til kjøretøyprodusentens anvisninger.
- Hvis du blir utsatt for en ulykke, må bilstolen alltid skiftes ut uansett hvor alvorlig ulykken er. Den kan ha skader som ikke er synlige, og som kan få alvorlige følger for barnets sikkerhet. Derfor anbefaler Axkid at du ikke kjøper en brukt bilstol.
- Hvis bilstolen AXKID MINIKID 4 har vært utsatt for direkte sollys, må du kontrollere at den ikke er varm før du setter barnet i stolen.
- Gå aldri fra barnet uten tilsyn i kjøretøyet.
- Sørg for at bagasje eller løse gjenstander er sikret i kjøretøyet, fordi de kan skade passasjerer i en eventuell ulykke.
- Sørg for at AXKID MINIKID 4 blir montert slik at ingen deler kan sette seg fast i regulerbare seter, bildører og lignende.
- Hvis du bruker de nedre festestroppene, må du kontrollere at de er montert på en måte som ikke forstyrrer bevegelsen til noen av bilsetene.
- Bilstolen AXKID MINIKID 4 kan bare monteres bakovervendt.
- Sørg alltid for at selen justeres slik at den passer til barnets kropp. Selen justeres ved å flytte hodestøtten.
- Sørg for at barnets rygg skyves mot bilstolen når du spenner fast barnet med selen.
- Sørg alltid for at selen er godt strammet mot barnet og at spennen er helt låst. Det skal ikke være mulig å klemme stroppene sammen.
- Sørg for at selen ikke er vridd.
- Sørg alltid for at støttebeinet står i riktig posisjon og har kontakt med gulvet i kjøretøyet. Støttebeinet er en viktig sikkerhetsfunksjon som er designet for å gi barnet maksimal sikkerhet i en ulykke.
- Ikke forsøk å demontere eller modifisere noen deler av bilbarnestolen AXKID MINIKID 4. Det kan påvirke garantien og sikkerheten til bilstolen fra Axkid.
- Bruk aldri AXKID MINIKID 4 uten stolens tekstiltrekk. Tekstiltrekket er en sikkerhetsfunksjon og må bare skiftes ut med et originalt tekstiltrekk fra Axkid.
- Les bilens håndbok og kjøretøylisten på [www.axkid.com](http://www.axkid.com) for å finne ut hvilke sitteplasser som passer for dette bilsetet
- Axkid anbefaler at du alltid bruker setebeskyttelse for å beskytte setet i kjøretøyet mot riper og smuss.
- Er du usikker, ber vi deg kontakte forhandleren der bilstolen ble kjøpt, eller kontakte [info@axkid.com](mailto:info@axkid.com)

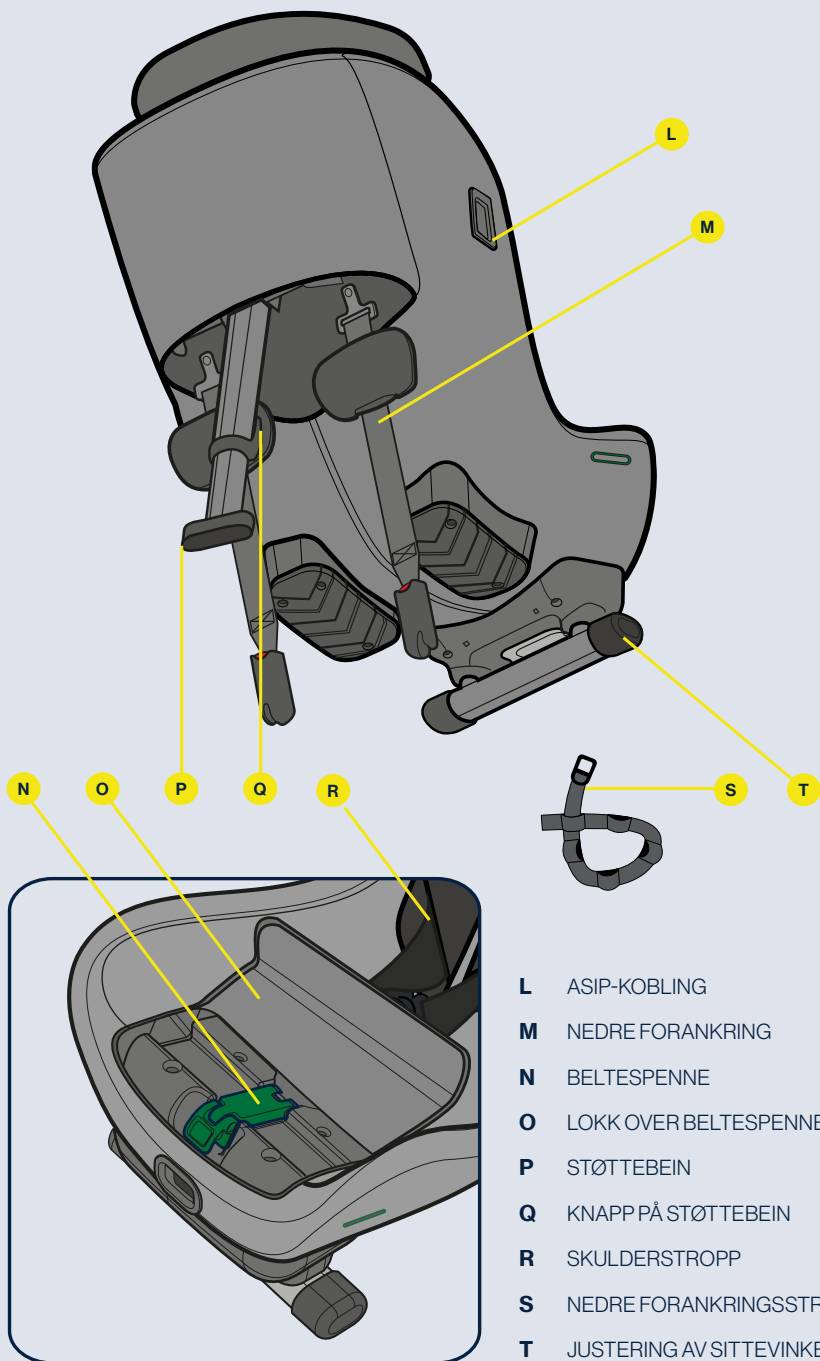
# Innholdsfortegnelse

Deler	104
Tillatt og forbudt plassering av bilstolen AXKID MINIKID 4	106
Nedre forankringer	106
Montere de nedre festestroppene	107
Spenne barnet fast i bilstolen AXKID MINIKID 4	109
Justering av nakkestøtten	110
Ta AXKID MINIKID 4 ut av kjøretøyet	110
Stell og vedlikehold	111
Garanti	111

# Deler



- A HODESTØTTE
- B INTEGRERT SIKKERHETSBELTE
- C FRIGJØRINGSKNAPP FOR SPENNE
- D SPOR FOR BILBELTE
- E FRIGJØRINGSKNAPP FOR SELE
- F STRAMMESTROPP TIL SELE
- G JUSTERINGSSPAK FOR SETEVINKEL
- H BREMSESPAK FOR NAKKESTØTTE
- I ASIP-BLOKK
- J HÆL
- K LODDRETT SPOR

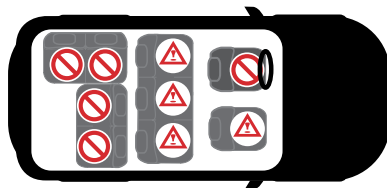




# Tillatt og forbudt plassering av bilstolen AXKID MINIKID 4

Bilstolen AXKID MINIKID 4 kan bare monteres bakovervendt. Det passer i de fleste, men ikke alle sitteplasser. Sjekk kjøretøyets instruksjonsbok for å finne egnede seteplasser, og sjekk kjøretøylisten på [www.axkid.com](http://www.axkid.com)

Passasjer sete foran (uten aktiv kollisjonspute)	JA/NEI*
Passasjer sete foran (med aktiv kollisjonspute)	NEI
Bakre passasjer sete med 3-punkts sikkerhetsbelte	JA
Sete med topunkts-bilbelte	NEI
Side- og bakovervendte seter	NEI



**VIKTIG:** Hvis du ønsker å montere bilstolen AXKID MINIKID 4 et sted der det er montert frontkollisjonspute, må kollisjonsputen kobles fra i henhold til kjøretøyproduzentens anvisninger. Merk at noen kjøretøy krever at et autorisert servicesenter kobler fra kollisjonsputen.

\* Paragraf 117 i den generelle trafikkkforskriften i Spania fastslår at det er forbudt å kjøre med barn med en kroppshøyde under 135 centimeter i kjøretøyets forseter, og dette gjelder uten unntak.



## Nedre forankringer

### Viktig informasjon

Nedre forankring (LTA) brukes til å forbedre beskyttelsen av barn i biler ved å gi en fast og stabil installasjon for utvidet bakovervendt belte festet bilbarnestoler. Dette øker sikkerheten for barnet ditt i alle typer kollisjoner, inkludert rulleulykker og påkjøring bakfra.

Lavere festepunkter er en veletablert metode som har vært mye brukt i Norden i over 40 år. I 2020 ble en ny internasjonal standard for LTA, ISO13216-4:2020, utgitt. Denne standarden beskriver kravene til lavere festepunkter for bilbarnestoler, men også for kjøretøyproduksjon og deres forankringspunkter. Hensikten er å forbedre kompatibiliteten og sikre en trygg og enkel monteringsmåte for fremtiden.

De nedre festene til AXKID MINIKID 4 er i tråd med reglene i ISO13216-4:2020, noe som sikrer en perfekt passform og enkel installasjon i kjøretøy med forhåndsinstallerte nedre forankringspunkter som også overholder denne standarden. Hvis kjøretøyet ditt har forankringspunkter som ikke overholder standarden, er de nedre festestroppene til AXKID MINIKID 4 fortsatt en mulighet, men ikke garantert, å passe.

Forhåndsinstallerte nedre forankringspunkter i kjøretøy finnes ofte på seteskinnene festet til gulvet, men andre posisjoner brukes også. Se bruksanvisningen for kjøretøyet hvis du vil ha mer informasjon om brukbare forankringspunkter.

Hvis kjøretøyet ikke har egnede forhåndsinstallerte nedre forankringspunkter, leveres AXKID MINIKID 4 med nedre festestropp (S) som kan monteres i kjøretøyet. Se denne håndboken for instruksjoner om installasjon. Disse stroppene er også i samsvar med ISO13216-4:2020, og når de er riktig installert, gir de samme sikkerheten som forhåndsinstallerte forankringspunkter.

Noen kjøretøyproduksjoner tilbyr også muligheten for ettermontering av nedre forankringspunkter. Kontakt bilprodusenten eller forhandleren for mer informasjon. Ettermontering nedre forankringspunkter og ekstra nedre forankringsstropper kan kjøpes separat fra Axkid.

**Merk:** Bruk aldri AXKID MINIKID 4 uten de nedre festene. De er en viktig sikkerhetsfunksjon og må alltid brukes når du installerer bilbarnestolen.

# Montere de nedre festestroppene

Hvis kjøretøyet ikke har egnede forhåndsinstallerte nedre forankringspunkter, leveres AXKID MINIKID 4 med nedre festestropper som kan monteres i kjøretøyet. Avhengig av kjøretøyet og seteposisjonen der du velger å installere bilbarnestolen, er det forskjellige mulige forankringspunkter å bruke for å installere forankringsstroppene. Se nedenfor for alternativer.

For å montere de nedre festestroppene (S), er det bare å føre stroppen rundt det valgte forankringspunktet og tre metallforankring gjennom et av åpningene på selve stroppen. Forankringsstroppen har flere åpninger som kan brukes. Pass på at du bruker åpningen så nært som mulig til metallforankring, og monter dermed metallforankring så nær kjøretøygulvet som mulig. Når dette er gjort, trekker du i metallforankring for å stramme stroppen og gjenta prosessen for den andre stroppen. Bruk alltid to forankringspunkter når du installerer AXKID MINIKID 4 og velg forankringspunkter som er separert, da dette gir en mer stabil installasjon.

## Alternativer for ruting av forankringsstropp

- alt. **a** Føer stroppen rundt kanten av den forhåndsinstallerte forankringen (bruk denne metoden bare hvis de forhåndsinstallerte forankringene ikke passer direkte med de nedre festene)
- alt. **b** Monter stroppen rundt seteskinnen foran bilbarnestolen ved å tre stroppen mellom seteskinnen og bilgulvet eller gjennom passende hull på seteskinnen.
- alt. **c** Monter stroppen rundt hengslet på bilsetet foran bilbarnestolen ved å tre stroppen inn mellom seteryggen og seteputen.
- alt. **d** Monter stroppen rundt seteskinnen under bilbarnestolen ved å tre stroppen mellom seteskinnen og bilgulvet eller gjennom passende hull på seteskinnen.
- alt. **e** Når du installerer AXKID MINIKID 4 i passasjeret foran, og ingen av alternativene ovenfor er tilgjengelige, er det mulig å feste de nedre festestroppene til et passende forankringspunkt bak i kjøretøyet og stramme stropene under bilsetet foran. Pass på at forankringsstroppene kommer ut fra forsiden av setet og ikke ut fra sidene.

**Merk:** Sørg alltid for at en endring av posisjonen til et bilsete ikke forstyrrer eller skader de installerte nedre festestroppene

**Merk:** Bruk aldri skarpe gjenstander for å hjelpe til med å føre stropene, da det kan skade stroppen.



# Montere bilstolen AXKID MINIKID 4 i kjøretøyet

Før du installerer AXKID MINIKID 4, må du kontrollere at du har nedre forankringspunkter i kjøretøyet. Se avsnittet om nedre forankringspunkter i denne håndboken for mer informasjon og installasjonsinstruksjoner.

1

Åpne glidelåsen og åpne lokket (O) over beltespennen

2

Plasser AXKID MINIKID 4 i bilen med ryggen vendt mot bilens front. Juster benplassen for barnet ved ganske enkelt å flytte bilbarnestolen frem og tilbake på bilsetet. AXKID MINIKID 4 kan monteres tett mot seteryggen, men må aldri monteres med hælen (J) hengende over kanten av bilsetet. Pass på at den vertikale linjen (K) på hælen (J) aldri går over kanten av bilsetet.

Juster vinkelen på bilbarnestolen ved å trykke på justeringshendelen for sittevinkel (G) og velg en passende sittevinkel. For maksimal sikkerhet, velg en posisjon så oppreist som mulig, samtidig som du sikrer at barnets hode ikke faller fremover når det sover. Av både komfort og sikkerhetsmessige årsaker bør sittevinkelen justeres til en mer oppreist posisjon etter hvert som barnet vokser. Vær oppmerksom på at når du strammer de nedre festestroppene (M), vil bilbarnestolen være litt mer tilbaketrukket når den synker inn i bilens setepute. Når du installerer AXKID MINIKID 4 i passasjeretset foran, er det mulig, men ikke nødvendig, at baksiden av bilbarnestolen har kontakt med dashbordet.

3

Åpne beltespennen (N). Trekk ut en armlengde på bilbeltet og tre det gjennom åpningen (D) for sikkerhetsbeltet nærmest deg. Før beltet gjennom beltespennen (N) og før det gjennom sporet (D) for sikkerhetsbeltet på motsatt side. Koble bilbeltet til beltespennen og trekk hardt på skulderdelen av bilbeltet for å fjerne all frigang, og for å feste bilbarnestolen. Jo hardere trekker, jo bedre sitter den fast i kjøretøyet. Når bilbarnestolen er godt festet, lukker du beltespennen (N) og låser bilbeltet på plass. Pass på at både skulder- og hoftebeltet er låst sammen i beltespennen (N). Lukk lokket over beltespennen (O) og lukk glidelåsen. For å gi en enda mer fast og stabil montering, trykk bilbarnestolen ned mens du trekker i skulderbeltet.

4

Trekk ut de nedre festestroppene (M) fra bilbarnestolen og koble dem til de nedre forankringspunktene i kjøretøyet, se avsnittet om nedre forankringspunkt i denne håndboken for mer informasjon. Trykk ned på toppen av bilbarnestolen og vri bilbarnestolen fra side til side, og AXKID MINIKID 4 selvstrammende nedre festestropper (M) vil automatisk bli strammet. Ved å stramme de nedre festestroppene (M) stiller du også inn den endelige sittevinkelen til bilbarnestolen. Fortsett å skyve på bilbarnestolen til den er godt festet, og du har oppnådd en passende sittevinkel. Kontroller at den hvite markeringen på det nedre festebeltet er synlig. Hvis ikke, er de nedre forankringspunktene for nær bilbarnestolen og må justeres. Hvis dette ikke er mulig, kan du også krysse de nedre festestroppene bak setet for å få litt mer avstand.

5

Trekk støttebeinet (P) ut av bilbarnestolen. Trykk inn knappen (Q) på støttebeinet (P), og trekk det nedover til det er i kontakt med gulvet i kjøretøyet. Slipp knappen (Q) og løft bilbarnestolen oppover for å forlenge støttebeinet (P) ytterligere til du hører et klikk. Støttebeinet (P) skal nå være låst og stå fast mot gulvet i kjøretøyet. Sørg for at støttebeinet (P) er vinklet ca. 10° mot forsiden av kjøretøyet. Kontroller bilbeltet igjen for å forsikre deg om at det fortsatt er godt strammet og at det ikke har oppstått slakk i hoftebeltet mens du strammer de nedre festestroppene og støttebeinet. Hvis bilbeltet har mistet litt spenning, bare stram det på nytt ved å gjenta trinn 2 i denne guiden uten å koble fra de nedre festestroppene.

6

Skyv ASIP-blokken (I) inn i sporene på ASIP-koblingen (L), og skyv nedover. ASIP-blokken (I) klikker på plass. Hvis det er et plastdeksel på ASIP-kontakten (L), fjerner du det og plasserer det på ASIP-kontakten (L) på motsatt side av setet for du monterer ASIP-blokken (I). Kontroller at ASIP-blokken (I) er festet på siden av AXKID MINIKID 4-setet som er nærmest bildøren.





# Spenne barnet fast i bilstolen AXKID MINIKID 4

Før du spenner barnet fast i bilstolen AXKID MINIKID 4 må du kontrollere at de korrekte innleggene er montert i stolen. AXKID MINIKID 4 er konstruert med tanke på å vokse med barnet og sørge for at alle barn sitter behagelig og sikkert. Axxid anbefaler å bruke det relevante innlegget til det blir for stramt for barnet, men inntil en minimumslengde i henhold til tabellen nedenfor (merk at alderen bare er en indikasjon):

Alder	Høyde	
Småbarn 0 - 3 år	61 – 105 cm	
Barn 3 - 7 år	106 – 125 cm	

AXKID MINIKID 4 er utstyrt med en automatisk nakkestøtte (A) som senker seg til riktig posisjon når selen strammes. For å sikre best mulig passform anbefaler Axxid at du bruker denne funksjonen hver gang du skal feste barnet. Før du setter barnet i bilbarnestolen, må du kontrollere at den automatiske nakkestøtten (A) er i ulåst stilling. Se avsnittet om nakkestøtten (A) for mer informasjon.

**7**

Kontroller at nakkestøttens bremsehåndtak (H) er stilt inn på ulåst. Hvis den er låst, skyver du spaken over til ulåst posisjon.

**8**

Løsne selen ved å trykke på utløserknappen (E), og trekk samtidig ut begge skulderstroppene (R). Unngå å trekke i bare én stropp av gangen, fordi dette kan gjøre at skulderstroppene (R) blir ujevne. Kontroller at nakkestøtten (A) er skjvet opp til øverste posisjon.

**9**

Lås opp spennen ved å trykke på utløserknappen for spennen (C), og plasser stroppene utenfor setet.

**10**

Plasser barnet i stolen, og legg skulderstroppene (R) over barnets skulder. Lås selen ved først å plassere delene av spennen som er festet til skulderstroppene (R), sammen og deretter trykke dem inn i spennen til du hører et klikk.

**11**

Trekk i skulderstroppene (R) for å stramme selen over barnets hofter. Mens du sørger for at det er spenning i skulderstroppene (R) må du trekke i selens strammestropp (F) til den er stram nok, og du skal ikke kunne få plass til mer enn en finger mellom skulderstroppene (R) og barnets skulder. Mens du strammer selen, vil nakkestøtten (A) automatisk bevege seg nedover til riktig posisjon for barnet ditt.



# Justering av nakkestøtten

AXKID MINIKID 4 er utstyrt med en automatisk nakkestøtte (A) som sikrer at nakkestøtten (A) alltid er i den beste posisjonen for barnet ditt. Når selen strammes, senker nakkestøtten (A) seg til riktig høyde og låses automatisk på plass. Når du løsner selen, vil nakkestøtten (A) bevege seg tilbake til øverste posisjon igjen og bli låst opp. For å sikre best mulig passform anbefaler Axkid at du bruker denne funksjonen hver gang du skal feste barnet.

Nakkestøtten (A) låses bare opp i øverste posisjon. Det er derfor viktig å sørge for at nakkestøtten (A) beveger seg helt til øverste posisjon når du løsner selen, ellers vil nakkestøtten (A) forbli låst og ikke bevege seg ned når du strammer selen.

Hvis du vil deaktivere den automatiske justeringsfunksjonen og holde nakkestøtten (A) i fast stilling, plasserer du nakkestøtten (A) i ønsket posisjon og setter hendelen (H) i låst stilling. Nakkestøtten (A) er nå låst i høyden og vil ikke bevege seg før du setter hendelen (H) tilbake til ulåst posisjon igjen.

Når du bruker AXKID MINIKID 4 med nakkestøtten (A) i fast stilling, må du kontrollere at nakkestøtten (A) er plassert i riktig høyde for barnet. Kontroller at skulderstroppene (R) går gjennom stolen rett fra barnets skuldre eller maksimalt 1 cm over. Hvis ikke, juster nakkestøtten (A) ved å sette hendelen (H) til ulåst posisjon og deretter skyve nakkestøtten (A) til øverste posisjon for å låse den opp, og gjenta deretter prosedyren.



# Fjerning av barnesetet AXKID MINIKID 4 fra kjøretøyet

- Åpne glidelåsen og åpne lokket (O) over beltespennen. Lås opp bilbeltet ved å trykke på den røde knappen på beltespennen. Åpne beltespennen (N) og trekk bilbeltet gjennom setebeltesporene (D) for å fjerne det fra bilsetet.
- Lås opp de nedre festestroppene (M) ved å holde fast på festene med hånden og trykke på den røde knappen med tommelen. Mens du holder festene i hånden, må du sakte mate den tilbake til bilbarnestolen. Pass på at du ikke slipper det nedre festet, da det vil trekke seg automatisk tilbake med høy hastighet.
- Trykk på knappen (Q) på støttebeinet og slå sammen støttebeinet (P) slik at det blir så kort som mulig.
- Trykk på hendelen for sittevinkel (G) og trykk justeringsenheten (T) for sittevinkel til kortest posisjon. Løft AXKID MINIKID 4 ut av kjøretøyet.

**Tips:** Lås spennen og stram selen før du tar bilbarnestolen ut av kjøretøyet. Du kan deretter bruke skulderstroppene (R) som bærehåndtak, noe som gjør det lettere å løfte ut bilbarnestolen og transportere den utenfor kjøretøyet.

**Viktig:** Bær aldri setet ved å holde i nakkestøtten (A)

## Resirkulering av bilsetet ditt.



Axkid anbefaler på det sterkeste resirkulering av gamle bilseter. Før du forlater setet på din lokale gjenvinningsstasjon, klipp av selebåndene fra setet, fjern tekstiltrekket, fjern så mange isopordeler som mulig, separer metall- og plastdeler hvis mulig. Hoveddelen av setet bør merkes som usikker eller utløpt (bruk en markør) for å avskrekke noen fra å bruke den igjen. Vennligst sjekk dine lokale kommunale retningslinjer for resirkuleringsinstruksjoner for de forskjellige materialene.

# Stell og vedlikehold

Tekstiltrekket til bilstolen kan vaskes i maskin ved 30° C på et skånsomt program. Trekket må ikke tørkes i tørketrommel. Det kan skade trekket og gjøre at polstringen løsner fra stoffet. På [www.axkid.com](http://www.axkid.com) finner du filmer som viser hvordan trekket skal tas av og settes på igjen.

## Fjerne tekstiltrekket:

- Fjern ASIP-blokken (I) hvis den er montert på.
- Sett den automatiske nakkestøtten (H) i ulåst posisjon og løsne selen ved å trykke på utløserknappen for selen (E) og trekk ut begge skulderstroppene (R) samtidig.
- Åpne de to glidelåsene på undersiden av nakkestøtten (A) og trekk forsiktig av dekslet fra nakkestøtten (A).
- Senk nakkestøtten (A) til laveste posisjon og sett hendelen (H) i låst stilling.
- Lås opp seletåsen ved å trykke på utløserknappen for spennen (C) og fjern dekslet.
- Åpne glidelåsen og lokket (O) til beltespennen og fjern plastlokket (O) fra tekstiltrekket.
- Åpne glidelåsen under bilbarnestolen og åpne de 4 knappene på tekstiltrekket på baksiden av bilbarnestolen.
- Åpne de to glidelåsene på ryggstøtten på innsiden av bilbarnestolen, og fjern tekstiltrekket forsiktig fra bilbarnestolen. Vær forsiktig rundt ASIP-blokken og andre plastdeksler for ikke å skade tekstilet, ikke trekk hardt.
- Åpne skulderputene og fjern dem forsiktig fra borrelåsen.

## Montere tekstiltrekket

- Reverser trinnene fra instruksjonen ovenfor for å montere tekstiltrekket på bilbarnestolen igjen.
- Vær oppmerksom på at skulderputene kan monteres i forskjellige posisjoner. Plasser dem i en posisjon som passer for barnet ditt, skulderputene skal plasseres på toppen av skulderen og på barnets bryst. Pass også på at gummisiden av skulderputen vender mot barnets bryst.

Hvis trekket må byttes, må du bare bruke originale produkter fra Axxkid. Bruk av andre produkter kan gjøre at sikkerhetssystemet til AXKID MINIKID 4 ikke fungerer som det skal, og forårsake alvorlige skader i en eventuell ulykke. Alle plastdelene til bilstolen AXKID MINIKID 4 kan rengjøres med mild såpe og vann. Ikke bruk kraftige kjemikalier som inneholder løsemidler eller lignende, fordi dette kan skade plasten og gjøre bilstolen mindre sikker.

# Garanti

Bilstolen AXKID MINIKID 4 leveres med 24 måneders garanti fra kjøpsdatoen. Ta vare på kvitteringen, og ta den med til stedet der bilstolen er kjøpt, ved en eventuell reklamasjon.

- Normal slitasje
- Skader som skyldes feil bruk, forsømmelser eller ulykker
- Reparasjoner som er utført av tredjepart
- Alle materialer som er brukt, er meget UV-bestandige. Men UV-lys er svært aggressivt, og vil til slutt føre til at setetrekket falmer. Dette dekkes ikke av garantien, siden det anses som normal slitasje.
- Håndter setet forsiktig. Bær aldri setet ved å holde i nakkestøtten (A).

# Tak, fordi du har valgt AXKID MINIKID 4

Læs denne vejledning, før du installerer AXKID MINIKID 4-autostolen i bilen. Du kan finde flere oplysninger og installationsvideoer på [www.axkid.com](http://www.axkid.com).

**AXKID MINIKID 4** er en bagudvendt autostol, som er godkendt til børn med en højde på 61-125 cm, ≤36 kg

AXKID MINIKID 4 er velegnet til brug fra cirka 6-måneders alderen, eller når barnet kan sidde oprejst uden støtte. Dette er en køretøjsspecifik forbedret barnefastholdelsesanordning med integreret sele. Den er godkendt i henhold til FN-regulativ nr. 129 til brug på kompatible siddepladser i de køretøjer, der er opført på listen over køretøjer. Hvis du er i tvivl, kan du kontakte producenten af den forbedrede barnefastholdelsesanordning ([www.axkid.com](http://www.axkid.com)) eller forhandleren.

## Vigtige oplysninger

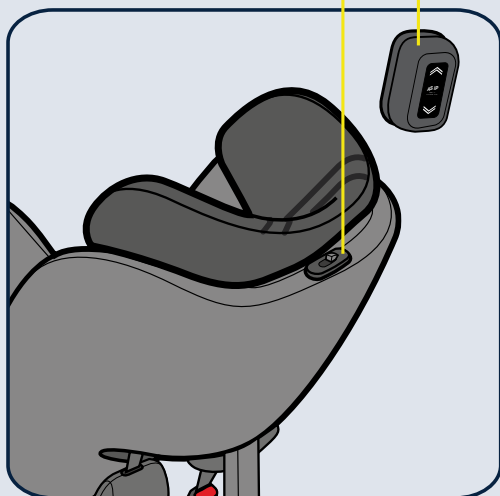
Vær opmærksom på følgende af hensyn til barnets sikkerhed:

- Følg altid instruktionerne i denne vejledning. Forkert installation kan have alvorlige konsekvenser for dit barns sikkerhed. Hvis du er i tvivl, skal du kontakte forhandleren, som kan vise, hvordan du foretager korrekt installation.
- Gem denne vejledning til senere brug. Hvis vejledningen bliver væk, kan du finde den online på [www.axkid.com](http://www.axkid.com)
- AXKID MINIKID 4-autostolen må ikke bruges på en siddeplads, hvor der er monteret en aktiv frontairbag. Hvis du alligevel ønsker at installere AXKID MINIKID 4-autostolen på denne placering, skal airbaggen deaktiveres i henhold til bilproducentens anvisninger.
- Hvis du skulle komme ud for en ulykke, skal autostolen altid udskiftes, uanset hvor lille ulykken er. Der kan opstå skader, som ikke er synlige, og som kan have alvorlige konsekvenser for dit barns sikkerhed. Derfor anbefaler Axkid, at man ikke køber brugte autostole.
- Hvis AXKID MINIKID 4-autostolen har været udsat for direkte sollys, skal du sørge for, at autostolen ikke er for varm, før du sætter dit barn i den.
- Efterlad aldrig dit barn i bilen uden opsyn.
- Sørg for, at eventuel bagage eller løse genstande er sikret i bilen, da de kan forårsage personskade i tilfælde af en ulykke.
- Sørg for, at AXKID MINIKID 4-autostolen er monteret således, at ingen dele kan sætte sig fast i bevægelige sæder, bildøre m.m.
- Hvis du bruger nedre forankringsstroppe, skal du sørge for, at de monteres på en måde, så de ikke forstyrrer et bilsædes bevægelse.
- AXKID MINIKID 4-autostolen må kun monteres bagudvendt.
- Sørg altid for, at selen er justeret, så den passer korrekt til barnets krop. Selen justeres ved at flytte nakkestøtten.
- Sørg for, at barnets ryg skubbes mod autostolen, når barnet fastholdes med selen.
- Selen skal altid sidde stramt ind mod barnet, og spændet skal være helt låst. Det bør ikke være muligt at trække ud i stropperne.
- Sørg for, at selen ikke er snoet.
- Støttebenet skal altid være i den korrekte position og have kontakt til bilens gulv. Støttebenet er en meget vigtig sikkerhedsfunktion, som er designet til at optimere dit barns sikkerhed ved en ulykke.
- Forsøg ikke at adskille eller modificere nogen del af AXKID MINIKID 4-autostolen. Det kan påvirke både garantien og Axkid-autostolens sikkerhed.
- Brug aldrig AXKID MINIKID 4-autostolen uden tekstilbetrækket. Stolens tekstilbetræk er en sikkerhedsforanstaltning og må kun udskiftes med et originalt Axkid-tekstilbetræk.
- Læs vejledningen til bilen og køretøjslisten på [www.axkid.com](http://www.axkid.com) for at finde ud af, hvilke siddepladser der er egnede til denne autostol.
- Axkid anbefaler altid at bruge sædebeskyttelse for at beskytte bilsædet mod skrammer og snavs.
- Hvis du er i tvivl, kan du kontakte den forhandler, hvor autostolen er købt, eller kontakte [info@axkid.com](mailto:info@axkid.com)

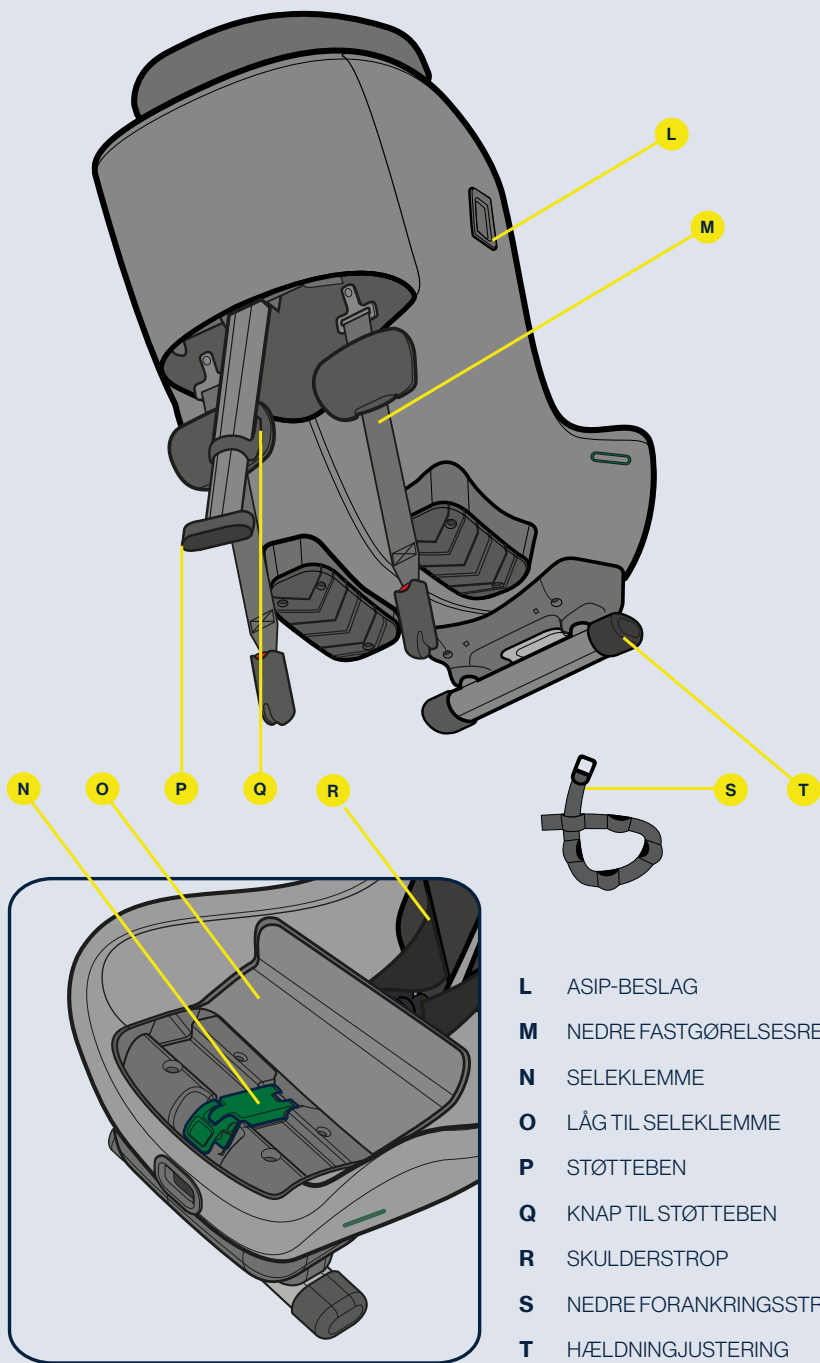
# Indholdsfortegnelse

Dele	114
Tilladt og ikke-tilladt placering af AXKID MINIKID 4-autostolen	116
Nedre forankringer	116
Montering af nedre forankringsstropper	117
Fastholdelse af barnet i AXKID MINIKID 4-autostolen	119
Justering af nakkestøtte	120
Fjernelse af AXKID MINIKID 4-autostolen fra bilen	120
Pleje og vedligeholdelse	121
Garanti	121

# Dele



- A NAKKESTØTTE
- B INTEGRERET SELE
- C KNAK TIL ÅBNING AF SPÆNDE
- D SELEÅBNING
- E KNAK TIL UDLØSNING AF SELE
- F REM TIL STRAMNING AF SELE
- G GREB TIL JUSTERING AF HÆLDNING
- H BREMSEARM TIL NAKKESTØTTE
- I ASIP-PUDE
- J HÆL
- K LODRET LINJE



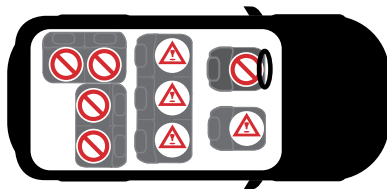
- L** ASIP-BESLAG
- M** NEDRE FASTGØRELSESRREM
- N** SELEKLEMME
- O** LÅG TIL SELEKLEMME
- P** STØTTEBEN
- Q** KNAP TIL STØTTEBEN
- R** SKULDERSTROP
- S** NEDRE FORANKRINGSSTROP X2
- T** HÆLDNINGJUSTERING



# Tilladt og ikke-tilladt placering af AXKID MINIKID 4-autostolen

AXKID MINIKID 4-autostolen kan kun monteres bagudvendt. Den passer til de fleste, men ikke alle siddepladser. Se instruktionsmanualen til bilen for at finde passende siddepladser, og tjek køretøjslisten på [www.axkid.com](http://www.axkid.com)

Forsæde (uden aktiv airbag)	JA/NEJ*
Forsæde (aktiv airbag)	NEJ
Bagsæde med trepunktssele	JA
Sæde med topkantssele	NEJ
Sidesæde og bagudvendte sæder	NEJ



**VIGTIGT:** Hvis du ønsker at installere AXKID MINIKID 4-autostolen et sted, hvor der er monteret en frontairbag, skal airbaggen deaktiveres i henhold til bilproducentens anvisninger. Bemærk, at nogle biler kræver, at et autoriseret servicecenter deaktiverer airbaggen.

\* De generelle trafikbestemmelser i Spanien fastslår i paragraf 117, at det uden undtagelse er forbudt at køre med børn med en højde på 135 cm eller derunder på køretøjets forsæder.



## Nedre forankringer

### Vigtige oplysninger

Nedre forankringer (Lower Tether Anchorages – LTA) bruges til at forbedre beskyttelsen af børn i biler ved at tilbyde en fast og stabil installation til bagudvendte autostole med støtteben, som fastgøres med sikkerhedsselen. Dette øger sikkerheden for barnet ved alle typer kollisioner, herunder ulykker, hvor bilen ruller rundt, og påkørsel bagfra.

At bruge nedre fastgørelsesremme er en veletableret metode, der har været flittigt brugt i de nordiske lande i over 40 år. I 2020 blev en ny international standard for LTA, ISO 13216-4:2020, udgivet. Denne standard beskriver både kravene til nedre fastgørelsesremme på autostole og til forankringspunkter i bilfabrikanternes biler. Formålet er at forbedre kompatibiliteten og opnå en sikker og nem installationsmetode fremover.

De nedre fastgørelsesremme på AXKID MINIKID 4 er i overensstemmelse med ISO 13216-4:2020, således at de passer perfekt og er nemme at installere i køretøjer med forudinstallerede nedre forankringer, der også overholder denne standard. Hvis din bil har forankringspunkter, der ikke er i overensstemmelse med denne standard, er det stadig sandsynligt, men ikke sikkert, at de nedre fastgørelsesremme på AXKID MINIKID 4 passer.

De forudinstallerede nedre forankringspunkter i biler findes ofte på sædeskinne, der er fastgjort til gulvet, men andre placeringer bruges også. Du kan få nærmere oplysninger om brugbare forankringspunkter i instruktionsmanualen til din bil.

Hvis din bil ikke har nogen forudinstallerede nedre forankringer, leveres AXKID MINIKID 4 med ekstra nedre forankringsstroppe (S), som kan monteres i din bil. Der er monteringsanvisninger i denne brugsvejledning. Disse forankringsstroppe overholder også ISO 13216-4:2020 og giver samme sikkerhed som forudinstallerede forankringer, når de er installeret korrekt.

Nogle bilproducenter tilbyder også mulighed for at eftermontere nedre forankringer. Kontakt din bilproducent eller bilforhandler for at få nærmere oplysninger herom. Axkid nedre forankringer til eftermontering og ekstra nedre forankringsstroppe kan købes separat.

**Bemærk:** AXKID MINIKID 4 må ikke anvendes uden de nedre fastgørelsesremme. De er en vigtig sikkerhedsfunktion og skal altid bruges, når du installerer autostolen.



# Montering af nedre forankringsstroppe

Hvis din bil ikke har nogen egnede forudinstallerede nedre forankringer, leveres AXKID MINIKID 4 med nedre forankringsstroppe, som kan monteres i din bil. Alt efter hvilken bil du har, og hvor du vælger at installere autostolen, er der forskellige mulige forankringspunkter, du kan bruge til monteringen af forankringsstroppe. Alternativene kan ses nedenfor.

For at montere de nedre forankringsstroppe (S) skal du blot føre stropen omkring det valgte forankringspunkt og føre metalforankringsdelen gennem en af åbningerne på selve stropen. Forankringsstropen har flere åbninger, der kan bruges til dette. Sørg for at bruge den åbning, der er så tæt som muligt på metalforankringsdelen, så metalforankringsdelen er så tæt på bilgulvet som muligt. Når dette er gjort, skal du trække i metalforankringsdelen for at stramme stropen og derefter gentage fremgangsmåden for den anden forankringsstrop. Brug altid to forankringspunkter ved installation af AXKID MINIKID 4, og vælg forankringspunkter, der er adskilt, da det giver en mere stabil installation.

## Mulige føringer af forankringsstropen

- alt. **a** Før forankringsstropen rundt om kanten på den forudinstallerede forankring (brug kun denne metode, hvis de forudinstallerede forankringer ikke passer direkte til de nedre fastgørelsesremme).
- alt. **b** Før forankringsstropen rundt om sædeskinen foran autostolen ved at føre stropen ind mellem sædeskinen og bilgulvet eller gennem et passende hul i sædeskinen.
- alt. **c** Før stropen omkring hængslet på bilsædet foran autostolen ved at føre stropen ind mellem bilsæderyggen og bilsædehynden.
- alt. **d** Før stropen rundt om sædeskinen under autostolen ved at føre stropen ind mellem sædeskinen og bilgulvet eller gennem et passende hul i sædeskinen.
- alt. **e** Når AXKID MINIKID 4 installeres på et forreste passagersæde, og ingen af ovennævnte alternativer er tilgængelige, er det muligt at fastgøre de nedre forankringsstroppe til et passende forankringspunkt bagerst i bilen og føre stroppe under bilsædet til bilens forende. Sørg for, at forankringsstroppe kommer ud fra bilsædets forside og ikke ud fra siderne.

**Bemærk:** Sørg altid for, at ændring af et bilsædes position ikke forstyrrer eller beskadiger de installerede nedre forankringsstroppe.

**Bemærk:** Brug aldrig skarpe genstande til at hjælpe med at føre stroppe, da dette kan beskadige stroppe.



# Installation af AXKID MINIKID 4-autostolen i bilen

Før du installerer AXKID MINIKID 4, skal du sørge for, at der er nedre forankringer i din bil. Se afsnittet om nedre forankringer i denne vejledning for at få flere oplysninger og en installationsvejledning.

1

Lyn lynlåsen op, og åbn låget til seleklemmen (O).

2

Anbring AXKID MINIKID 4 på bilsædet, således at bagsiden af autostolen vender mod bilens forende. Tilpas benpladsen til dit barn ved ganske enkelt at flytte autostolen frem eller tilbage på bilsædet. AXKID MINIKID 4 kan installeres tæt mod bilsædets ryglæn, men må aldrig monteres således, at hælen (J) hænger ud over kanten af bilsædet. Sørg for, at den lodrette linje (K) på hælen (J) ikke overskrider kanten af bilsædet.

Juster autostolens vinkel ved at trykke på grebet til justering af hældningen (G), og vælg en passende hældning. For at opnå maksimal sikkerhed skal du vælge en position, der er så oprejst som muligt, samtidig med at du sikrer, at barnets hoved ikke falder fremover, når det sover. Af hensyn til både komforten og sikkerheden bør hældningsvinklen justeres til en mere oprejst position, efterhånden som barnet vokser. Bemærk, at når du strammer de nedre fastgørelsesremme (M), vil autostolen blive lidt mere tilbagelænet, når den synker ned i bilsædets polstring. Ved installering af AXKID MINIKID 4 på et forreste passagersæde er det muligt, men ikke nødvendigt, at bagsiden af autostolen har kontakt med instrumentbrættet.

3

Åbn seleklemmen (N). Træk en armslængde af bilens sikkerhedssele ud, og før den gennem den seleåbning (D), der er tættest på dig. Før selen gennem seleklemmen (N), og før den gennem seleåbningen (D) på den modsatte side. Sæt tungen på bilens sikkerhedssele ind i sikkerhedsseleens spænde, og træk hårdt i skulderdelen af bilens sikkerhedssele for at fjerne al slaphed og for at fastgøre autostolen. Jo mere du trækker, desto strammere bliver installationen. Når autostolen er ordentligt fastspændt, skal du lukke seleklemmen (N) og låse bilens sikkerhedssele fast i denne position. Sørg for, at både skulder- og hofteselen er låst sammen i seleklemmen (N). Luk låget til seleklemmen (O), og luk lynlåsen. For at gøre installationen endnu mere stram og stabil skal du trykke ned på autostolen, mens du trækker i skulderselen.

4

Træk de nedre fastgørelsesremme (M) ud af autostolen, og fastgør dem til de nedre forankringer i bilen. Se afsnittet om nedre forankringer i denne vejledning for at få nærmere oplysninger. Tryk ned på autostolens overside, og vrik autostolen fra side til side, hvorved de selvspændende nedre fastgørelsesremme (M) på AXKID MINIKID 4 strammes automatisk. Ved at stramme de nederste fastgørelsesremme (M) indstiller du også autostolens endelige hældningsvinkel. Bliv ved med at trykke på autostolen, indtil den sidder godt fast, og der er opnået en passende hældningsvinkel. Kontrollér, at den hvide markering på den nedre fastgørelsesrem er synlig. Hvis ikke, er de nedre forankringer for tæt på autostolen og skal justeres. Hvis dette ikke er muligt, kan du også krydse de nedre fastgørelsesremme bag stolen for at få lidt mere afstand.

5

Træk støttebenet (P) ud fra autostolen. Tryk på støttebensknappen (Q), og træk støttebenet (P) nedad, indtil det er i kontakt med bilens gulv. Slip støttebensknappen (Q), og løft autostolen opad for yderligere at forlænge støttebenet (P), indtil du hører et klik. Støttebenet (P) bør nu være låst og presset hårdt mod bilens gulv. Sørg for, at støttebenet (P) er vinklet ca. 10° mod bilens forende. Kontrollér bilens sikkerhedssele igen for at sikre, at den stadig er godt spændt, og at der ikke er opstået slæk i hofteselen i forbindelse med stramning af de nedre fastgørelsesremme og støttebenet. Hvis bilens sikkerhedssele har været mindre stram, skal du blot stramme den igen ved at gentage trin 2 i denne vejledning uden at frakoble de nedre fastgørelsesremme.

6

Pres ASIP-puden (I) ind i hullerne på ASIP-beslaget (L), og skub den nedad. ASIP-puden (I) vil klikke på plads. Hvis der sidder et plastdæksel på ASIP-beslaget (L), skal du fjerne det og placere det på ASIP-beslaget (L) på den modsatte side af stolen, før du monterer ASIP-puden (I). Sørg for, at ASIP-puden (I) er fastgjort på den side af AXKID MINIKID 4-autostolen, der er tættest på bildøren.



# Fastholdelse af barnet i AXKID MINIKID 4-autostolen

Før du placerer barnet i AXKID MINIKID 4-autostolen, skal du sikre, at det korrekte indlæg er monteret i stolen. AXKID MINIKID 4 er designet til at vokse med dit barn og sikre, at barnet altid sidder behagelig og sikkert. Axkid anbefaler at bruge indlægget, indtil det er for stramt til barnet, men ud fra en minimumshøjde i henhold til tabellen nedenfor (bemærk, at alderen blot er vejledende):

Alder	Højde	
Lillebarn 0-3 år	61-105 cm	
Barn 3-7 år	106-125 cm	

AXKID MINIKID 4 er udstyret med en automatisk nakkestøtte (A), der sænker sig til den korrekte position, når selen spændes. For at sikre den bedste pasform anbefaler Axkid at bruge denne funktion, hver gang du spænder barnet fast i autostolen. Før du sætter barnet i autostolen, skal du sikre dig, at den automatiske nakkestøtte (A) er i ulåst position. Se afsnittet om justering af nakkestøtten (A) for at få nærmere oplysninger.

7

Sørg for, at bremsearmen til nakkestøtten (H) er indstillet i ulåst position. Hvis den er låst, skal du skubbe armen over til ulåst position.

8

Løsn selen ved at trykke på selens udløserknap (E), og træk begge skulderstropper (R) ud på samme tid. Undgå kun at trække i én strop ad gangen, da det kan medføre, at skulderstropperne (R) bliver uens. Sørg for, at nakkestøtten (A) er skubbet op til øverste position.

9

Lås selespændet op ved at trykke på spændets udløserknap (C), og placer stropperne uden for stolen.

10

Anbring barnet i stolen, og placer skulderstropperne (R) over barnets skuldre. Lås selen ved først at samle de dele af spændet, der er fastgjort til skulderstropperne (R), og derefter skubbe dem ind i spændet, indtil der lyder et klik.

11

Træk i skulderstropperne (R) for at stramme selen over barnets hofter. Sørg for at holde skulderstropperne (R) strammet, og træk remmen (F) til stramning af selen lige ud fra autostolen, indtil selen er strammet tilstrækkeligt. Du bør ikke kunne få mere end én finger ind mellem skulderstropperne (R) og barnets skuldre. Mens selen strammes, vil nakkestøtten (A) automatisk bevæge sig nedad til den position, der passer til barnet.



# Justering af nakkestøtte

AXKID MINIKID 4 er udstyret med en automatisk nakkestøtte (A), der sikrer, at nakkestøtten (A) altid er i den bedste position for barnet. Når selen strammes, sænker nakkestøtten (A) sig til den korrekte højde og låses automatisk på plads. Når selen løsnes, bevæger nakkestøtten (A) sig tilbage til øverste position igen og låses op. For at sikre den bedste pasform anbefaler Axkid at bruge denne funktion, hver gang du spænder barnet fast i autostolen.

Nakkestøtten (A) låses kun op, når den er i sin øverste position. Det er derfor vigtigt at sikre, at nakkestøtten (A) bevæger sig helt op til øverste position, når selen løsnes, for ellers forbliver nakkestøtten (A) låst og bevæger sig ikke ned, når selen strammes.

Hvis du vil deaktivere den automatiske justeringsfunktion og holde nakkestøtten (A) i en fast position, skal du placere nakkestøtten (A) i den ønskede position og flytte hovedstøttens bremsearm (H) over til låst position. Nakkestøtten (A) er nu låst i højden og vil ikke bevæge sig, før du flytter nakkestøttens bremsearm (H) tilbage til ulåst position.

Når du bruger AXKID MINIKID 4 med nakkestøtten (A) i en fast position, skal du sørge for, at nakkestøtten (A) er placeret i den rette højde til barnet. Kontrollér, at skulderstropperne (R) går gennem stolen direkte fra barnets skuldre eller højst 1 cm over. Hvis ikke, skal du justere nakkestøtten (A) ved at flytte nakkestøttens bremsearm (H) til ulåst position og skubbe nakkestøtten (A) til den øverste position for at låse den op og derefter gentage proceduren.



# Fjernelse af AXKID MINIKID 4-autostolen fra bilen

- Lynlåsen op, og åbn låget til seleklemmen (O). Lås bilens sikkerhedssele op ved at trykke på den røde knap på selespændet. Åbn seleklemmen (N), og træk i bilens sikkerhedssele og før den gennem seleåbningerne (D) for at fjerne den fra autostolen.
- Lås de nedre fastgørelsesremme (M) op ved at holde fast i forbindelsesdelene med hånden og trykke på den røde knap med tommelfingeren. Mens du holder om forbindelsesdelen med hånden, skal du langsomt føre den tilbage i autostolen. Pas på ikke at slippe forbindelsesdelen på den nedre fastgørelsesrem, da den automatisk trækkes ind med høj hastighed.
- Tryk på knappen til støttebenet (Q), og slå støttebenet (P) sammen til den korteste position.
- Tryk på grebet (G) til justering af hældningen, og tryk hældningsjusteringen (T) ind til den korteste position. Loft AXKID MINIKID 4 ud af bilen.

**Tip:** Lås selespændet, og stram selen, før du fjerner autostolen fra bilen. Du kan herefter bruge skulderstropperne (R) som bærehåndtag, hvilket gør det nemmere at løfte autostolen ud af bilen og transportere den.

**Vigtigt:** Bær ikke autostolen ved at holde i nakkestøtten (A).

## Genbrug af din autostol.



Axkid anbefaler kraftigt genbrug af gamle autostole. Inden du forlader sædet på din lokale genbrugsstation, skal du skære selebåndene af sædet, fjerne tekstilovertrækket, fjerne så mange styrofoamdele som muligt, om muligt adskille metal- og plastdele. Hoveddelen af sædet skal markeres som usikker eller udløbet (brug en markør) for at afskrække nogen fra at bruge den igen. Se venligst din lokale kommunale retningslinjer for genbrugsinstruktioner for de forskellige materialer.



# Pleje og vedligeholdelse

Stolens tekstilbetræk kan maskinvaskes ved 30° C på et skåneprogram. Kom ikke betrækket i en tørretumbler, da det kan beskadige betrækket, og polstringen kan løsne sig fra stoffet. Besøg [www.axkid.com](http://www.axkid.com) for at finde videoer, der forklarer, hvordan du tager betrækket af og sætter det på igen.

## Fjernelse af tekstilbetrækket:

- Fjern ASIP-puden (I), hvis den er monteret.
- Flyt bremsearmen (H) til den automatiske nakkestøtte over i ulåst position, og løs selen ved at trykke på selens udløserknap (E) og trække begge skulderstropper (R) ud samtidig.
- Lyn de to lynlåse på undersiden af nakkestøtten (A) op, og træk forsigtigt betrækket af nakkestøtten (A).
- Sænk nakkestøtten (A) til laveste position, og flyt bremsearmen (H) til den automatiske nakkestøtte over i låst position.
- Lås selespændet op ved at trykke på spændets udløserknap (C), og fjern spændebetrækket.
- Lyn lynlåsen op, og åbn låget (O) til seleklemmen, og fjern plastlåget (O) fra tekstilbetrækket.
- Lyn lynlåsen under autostolen op, og åbn de 4 knapper på tekstilbetrækket på bagsiden af autostolen.
- Lyn de to lynlåse ved ryglænet på indersiden af autostolen op, og fjern forsigtigt tekstilbetrækket fra autostolen. Vær forsigtig omkring ASIP-puden og andre plastdæksler for ikke at beskadige tekstilet. Undlad at trække for hårdt.
- Åbn skulderpuderne, og fjern dem forsigtigt fra velcroen.

## Montering af tekstilbetrækket

- Udfør ovenstående trin i omvendt rækkefølge for at sætte tekstilbetrækket på autostolen igen.
- Bemærk, at skulderpuderne kan monteres i forskellige positioner. Monter dem i en position, der passer til dit barn. Skulderpuderne skal sidde oven på skulderen og barnets bryst. Sørg også for, at skulderpudens gummiside vender mod barnets bryst.

Hvis stolens tekstilbetræk skal udskiftes, må der kun anvendes originale produkter fra Axkid. Hvis der bruges andre produkter, kan det forringe AXKID MINIKID 4-autostolens sikkerhedssystem og medføre alvorlig personskade i tilfælde af en ulykke. Alle plastdele på AXKID MINIKID 4-autostolen kan rengøres med mildt rengøringsmiddel og vand. Brug ikke aggressive kemikalier, der indeholder opløsningsmidler eller lignende, da det kan beskadige plasten og betyde, at autostolen ikke er sikker.

# Garanti

Der er 24 måneders garanti på AXKID MINIKID 4-autostolen fra købsdatoen. Sørg for at gemme din kvittering og medbringe den til købsstedet, hvis du har garantiproblemer, som garantien ikke dækker.

- Normal slitage
- Skader som følge af forkert brug, forsømmelse eller ulykker
- Hvis reparationer er udført af en tredjepart.
- Alle anvendte materialer har en meget høj UV-bestandighed. UV-lys er dog meget aggressivt og vil i sidste ende medføre, at stolens betræk falmer. Dette dækkes ikke af garantien, da det betragtes som normal slitage.
- Håndter stolen forsigtigt. Bær aldrig autostolen ved at holde i nakkestøtten (A).

# Kiitos, että valitsit AXKID MINIKID 4

## -turvaistuimen

Lue nämä käyttöohjeet ennen AXKID MINIKID 4 -turvaistuimen kiinnittämistä ajoneuvoon. Lisätietoja ja kiinnitysvideoita osoitteessa [www.axkid.com](http://www.axkid.com).

**AXKID MINIKID 4** on selkä menosuuntaan kiinnitettävä turvaistuin, joka on hyväksytty lapsille, joiden pituus on 61-125 cm, ≤36 kg

AXKID MINIKID 4 -istuinta on mahdollista käyttää, kun lapsesi on noin kuuden kuukauden ikäinen tai kun hän kykenee istumaan ilman tukea.

Tämä on integroitu ajoneuvokohtainen, turvavöihin kiinnitettävä parannettu lasten turvaistuinjärjestelmä. Se on hyväksytty YK:n asetuksen nro 129 mukaisesti käytettäväksi yhteensopivissa ajoneuvon istuinpaikoissa ajoneuvoluettelon mukaisesti. Jos olet epävarma, ota yhteyttä joko parannetun turvaistuinjärjestelmän valmistajaan ([www.axkid.com](http://www.axkid.com)) tai jälleenmyyjään.

## Tärkeää tietoa

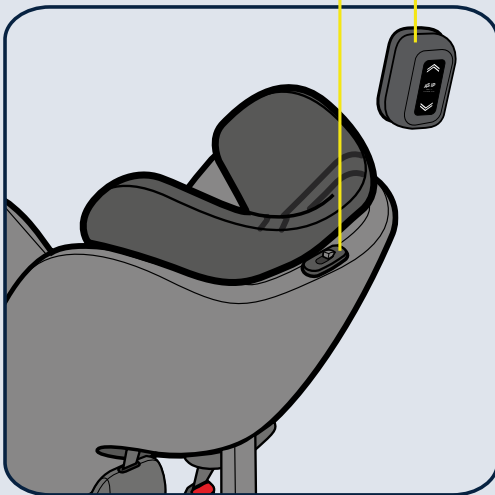
Lapsesi turvallisuuden maksimoimiseksi on tärkeää huomioida seuraavat asiat:

- Noudata aina tämän käyttöohjeen ohjeita. Virheellinen asennus voi vaikuttaa vakavasti lapsesi turvallisuuteen. Jos epärit, ota yhteyttä jälleenmyyjään, joka voi näyttää oikean kiinnitystavan.
- Säilytä tämä ohjekirja myöhempää käyttöä varten. Jos käyttöohje katoaa, löydät sen verkosta osoitteesta [www.axkid.com](http://www.axkid.com)
- Älä käytä AXKID MINIKID 4 -turvaistuinta istuinpaikalla, jossa on aktiivinen etuturvavyöry. Jos kuitenkin haluat asentaa AXKID MINIKID 4 -turvaistuimen tälle paikalle, turvatyyny on kytkettävä pois päältä ajoneuvon valmistajan ohjeiden mukaisesti.
- Turvaistuin on aina vaihdettava uuteen mahdollisen auto-onnettomuuden sattuessa, vaikka onnettomuus olisikin pieni. Siinä voi olla näkymättömiä vaurioita, jotka voivat vaikuttaa vakavasti lapsesi turvallisuuteen. Tästä syystä Axxid ei suosittele käytettyjen turvaistuimien ostamista.
- Jos AXKID MINIKID 4 -turvaistuin on allistunut suoralle auringonvalolle, varmista ennen lapsen asettamista turvaistuimeen, ettei se ole liian kuuma.
- Älä koskaan jätä lastasi ilman valvontaa ajoneuvoon.
- Varmista, että kaikki matkatavarat tai irtoesineet ovat kiinnitettyinä autossa, sillä ne voivat aiheuttaa onnettomuustilanteessa vammoja matkustajille.
- Varmista, että AXKID MINIKID 4 -turvaistuin on kiinnitetty niin, että mitkään osat eivät jää kiinni siirrettävien istuinten alle, oven väliin jne.
- Jos käytät alakiinnitysvöitä, varmista, että ne on asennettu niin, etteivät ne häiritse ajoneuvon istuinten liikettä.
- AXKID MINIKID 4 -turvaistuin voidaan asentaa vain selkä menosuuntaan.
- Varmista aina, että valjaat on säädetty sopimaan oikein lapsesi vartaloon. Valjaita voidaan säätää liikuttamalla päántukea.
- Varmista, että lapsen selkä on painautuneena turvaistuinta vasten, kun kiinnität lapsesi valjailta.
- Varmista aina, että valjaat on kiristetty tiukasti lastasi vasten ja että solki on täysin lukittu. Vöiden kokoonpuristaminen ei saa olla mahdollista.
- Varmista, ettei valjaissa ole kiertymiä.
- Varmista aina, että tukijalka on oikeassa asennossa ja että se koskettaa ajoneuvon lattiaan. Tukijalka on istuimessa erittäin tärkeä turvallisuustekijä, ja se on suunniteltu nimenomaan lapsesi turvallisuutta ajatellen.
- Älä yritä purkaa tai muokata mitään AXKID MINIKID 4 -turvaistuimen osaa. Tämä voi vaikuttaa Axxid-turvaistuimen takuuseen ja turvallisuuteen.
- Älä koskaan käytä AXKID MINIKID 4 -turvaistuinta ilman tekstiilipäällistä. Istuimen tekstiilipäällinen on turvaominaisuus, ja sen saa korvata vain alkuperäisellä Axxid-istuimen tekstiilipäällisellä.
- Katso sopivat tälle turvaistuimelle sopivat istuinpaikat ajoneuvon käsikirjasta ja ajoneuvoluettelosta osoitteessa [www.axkid.com](http://www.axkid.com)
- Axxid suosittelee, että käytät aina istuinsuojia autosi istuimien suojaamiseksi naarmuilta ja lialta.
- Jos sinulla on kysyttävää, ota yhteyttä turvaistuimen ostopaikkaan tai lähetä sähköpostia osoitteeseen [info@axkid.com](mailto:info@axkid.com)

# Sisällysluettelo

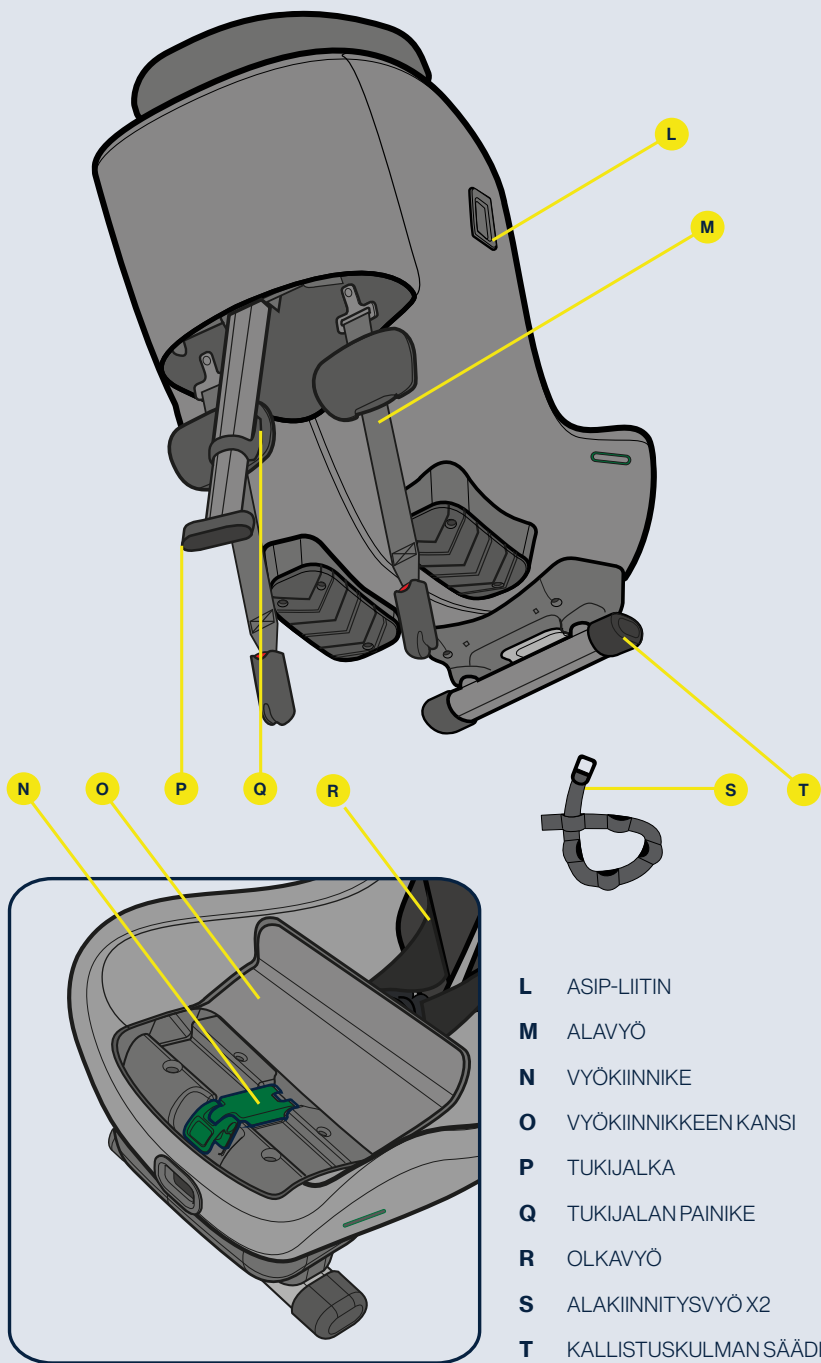
Osat	124
AXKID MINIKID 4 -turvaistuimen sallittu ja kielletty sijoittaminen	126
Alakiinnityspisteet	126
Alakiinnitysvöiden asennus	127
Lapsen kiinnittäminen AXKID MINIKID 4 -turvaistuimeen	129
Pääntuen säädöt	130
AXKID MINIKID 4 -turvaistuimen irrottaminen ajoneuvosta	130
Hoito-ohjeet	131
Takuu	131

# Osat



- A PÄÄNTUKI
- B INTEGROIDUT VALJAAT
- C SOLJEN VAPAUTUSPAINIKE
- D TURVAVYÖN PAIKKA
- E VALJAJEN VAPAUTUSPAINIKE
- F VALJAJEN KIRISTYSHIHNA
- G KALLISTUKSEN SÄÄTÖVIPU
- H PÄÄNTUEN SÄÄTÖVIPU
- I ASIP-TYYNY
- J KOROKE
- K PYSTYLINJA



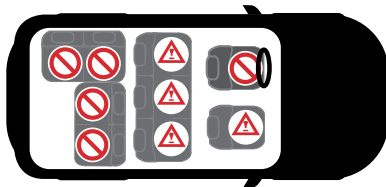




# AXKID MINIKID 4 -turvaistuimen sallittu ja kielletty sijoittaminen

AXKID MINIKID 4 -turvaistuin voidaan asentaa vain selkää menosuuntaan. Se sopii useimmille, mutta ei kaikille istuinpaikoille. Tarkista sopivat istuinpaikat ajoneuvosi käyttöohjekirjasta ja tarkista ajoneuvoluettelo osoitteessa [www.axkid.com](http://www.axkid.com)

Etumatkustajan istuin (ei päälle kytkettyä turvatyynyä)	KYLLÄ/EI*
Etumatkustajan istuin (päälle kytketty turvatyyny)	EI
Takamatkustajan istuin, jossa on 3-pisteturvavyö	KYLLÄ
Istuin, jossa on 2-pisteturvavyö	EI
Sivu- ja taaksepäin suunnatut istuimet	EI



**TÄRKEÄÄ:** Jos haluat asentaa AXKID MINIKID 4 -turvaistuimen istuinpaikalle, jossa on etuturvatyyny, turvatyyny on poistettava käytöstä ajoneuvosi valmistajan ohjeiden mukaisesti. Huomaa, että joissakin ajoneuvoissa valtuutetun huoltoiliikkeen on kytkettävä turvatyyny pois toiminnasta.

\* Espanjan yleisen liikennesäännön 117 artiklassa kielletään poikkeuksetta ajoneuvolla ajaminen enintään 135 cm:n pituisten lasten kanssa ajoneuvon etuistuimilla.



## Alakiinnityspisteet Tärkeitä tietoja tietoa

Alakiinnityspisteitä (LTA) parantavat lasten suojausta ajoneuvoissa tarjoamalla lujan ja vakaan asennuksen turvavyöllä selkänöjä menosuuntaan kiinnitettävälle turvaistuimille. Tämä lisää lapsesi turvallisuutta kaikenlaisissa törmäyksissä, mukaan lukien ympäröivä rähdykset ja takatörmäykset.

Alakiinnitysvyöt on vakiintunut menetelmä, jota on käytetty laajasti Pohjoismaissa yli 40 vuoden ajan. Alakiinnityspisteille julkaistiin vuonna 2020 uusi kansainvälinen standardi, ISO13216-4:2020. Tässä standardissa kuvataan vaatimukset turvaistuimien alakiinnitysvöille, kuten myös ajoneuvovalmistajille ja niiden kiinnityspisteille. Tarkoituksena on parantaa yhteensopivuutta ja varmistaa turvallinen ja helppo asennustapa tulevaisuutta varten.

AXKID MINIKID 4 -alakiinnitysvyöt ovat standardin ISO13216-4:2020 mukaisia, mikä varmistaa täydellisen sopivuuden ja helpon asennuksen ajoneuvoihin, joissa on esiasennetut alakiinnityspisteet, jotka ovat myös tämän standardin mukaisia. Jos ajoneuvosi kiinnityspisteet eivät ole standardin mukaiset, AXKID MINIKID 4 -alakiinnitysvyöt saattavat silti sopia niihin, mutta tätä ei voida taata. Ajoneuvojen esiasennetut alakiinnityspisteet ovat usein lattiaan kiinnitetyissä istuinkiskoissa, mutta myös muita sijainteja käytetään. Katso lisätiedot käytettävistä kiinnityspisteistä ajoneuvosi käyttöohjeesta.

Jos ajoneuvossasi ei ole valmiiksi asennettuja alakiinnitysvöitä, AXKID MINIKID 4:n mukana toimitetaan ylimääräiset alakiinnitysvyöt, jotka voidaan asentaa ajoneuvoosi. Katso asennusohjeet tästä käyttöohjeesta. Nämä vyöt ovat myös standardin ISO13216-4:2020 mukaiset, ja oikein asennettuina ne tarjoavat saman turvallisuuden kuin esiasennetut kiinnityspisteet.

Jotkut ajoneuvovalmistajat tarjoavat myös mahdollisuuden alakiinnityspisteiden jälkiasennukseen. Lisätietoja saat ottamalla yhteyttä ajoneuvovalmistajaan tai jälleenmyyjään. Jälkiasennettavat Axkid-alakiinnityspisteet ja ylimääräiset alakiinnitysvyöt voidaan ostaa erikseen.

**Huomautus:** Älä koskaan käytä AXKID MINIKID 4 -turvaistuinta ilman alakiinnitysvöitä. Ne ovat tärkeä turvaominaisuus, ja niitä tulee aina käyttää turvaistuinta asennettaessa.

# Alakiinnitysvöiden asennus

Jos ajoneuvossasi ei ole sopivia valmiiksi asennettuja kiinnikkeitä alakiinnitysvöille, AXKID MINIKID 4:n mukana toimitetaan kiinnikkeet, jotka voidaan asentaa ajoneuvoosi. Riippuen ajoneuvostasi ja istuinpaikasta, johon haluat asentaa turvaistuimen, on olemassa useita mahdollisia kiinnityspisteitä kiinnitysvöiden asentamiseen. Katso vaihtoehdot alta.

Asenna alakiinnitysvyöt (S) vetämällä vyö valitun kiinnityspisteen ympäri ja pujottamalla metallikiinnike vyön aukon läpi. Kiinnitysvyössä on useita käytettäviä aukkoja. Varmista, että käytät mahdollisimman lähellä metallikiinnikettä olevaa aukkoa ja asenna metallikiinnike mahdollisimman lähelle ajoneuvon lattiaa. Kun tämä on tehty, kiristä vyö vetämällä metallikiinnikkeestä ja toista sama toiselle vyölle. Käytä aina kahta kiinnityspistettä, kun asennat AXKID MINIKID 4 -turvaistuimen, ja valitse kiinnityspisteet, jotka ovat erillään toisistaan, sillä näin asennuksesta saadaan vakaampi.

## Kiinnitysvyön reititysvaihtoehdot

**vaihtoehto a** Vedä vyö esiasennetun kiinnityspisteen reunan ympäri (käytä tätä menetelmää vain, jos esiasennetut kiinnityspisteet eivät sovi suoraan alakiinnitysvöihin)

**vaihtoehto b** Asenna vyö istuinkiskon ympärille turvaistuimen etureunassa pujottamalla vyö istuinkiskon ja ajoneuvon lattian väliin tai istuinkiskon sopivan reiän läpi.

**vaihtoehto c** Asenna vyö ajoneuvon istuimen saranan ympärille turvaistuimen etureunassa pujottamalla vyö ajoneuvon istuimen selkänojan ja istuintyydyn väliin.

**vaihtoehto d** Asenna vyö istuinkiskon ympärille turvaistuimen alla pujottamalla vyö istuinkiskon ja ajoneuvon lattian väliin tai istuinkiskon sopivan reiän läpi.

**vaihtoehto e** Kun AXKID MINIKID 4 asennetaan etumatkustajan istuimelle eikä mitään yllä olevista vaihtoehdoista voida käyttää, alakiinnitysvyöt voidaan kiinnittää sopivaan kiinnityspisteeseen ajoneuvon takana ja ohjata vyöt ajoneuvon istuimen alta ajoneuvon etuosaan. Varmista, että kiinnitysvyöt tulevat ulos istuimen edestä eivätkä sivuilta.

**Huomautus:** Varmista aina, että ajoneuvon istuimen asennon muuttaminen ei häiritse tai vahingoita asennettuja alakiinnitysvöitä

**Huomautus:** Älä koskaan käytä teräviä esineitä apuna vöiden reitittämisessä, koska se saattaa vahingoittaa vyötä.



# AXKID MINIKID 4 -turvaistuimen asentaminen ajoneuvoon

Varmista ennen AXKID MINIKID 4 -turvaistuimen asennusta, että ajoneuvossasi on alakiinnityspisteet. Katso lisätiedot ja asennusohjeet tämän käyttöohjeen alahihnakiinnityspisteitä koskevasta kohdasta.

1

Avaa vetoketju ja avaa vyökiinnikkeen kansi (O)

2

Aseta AXKID MINIKID 4 ajoneuvon istuimelle selkä menosuuntaan. Säädä lapsesi jalkatilaa liikuttamalla turvaistuinta edestakaisin ajoneuvon istuimella. AXKID MINIKID 4 voidaan asentaa tiukasti ajoneuvon istuimen selkänöjää vasten, mutta sitä ei saa koskaan asentaa niin, että korke (J) roikkuu ajoneuvon istuimen reunan yli. Varmista, että korokkeen (J) pystyviiva (K) ei koskaan ylitä ajoneuvon istuimen reunaa.

Säädä turvaistuimen kulmaa painamalla kallistuksen säätövipua (G) ja valitse sopiva kallistusasento. Valitse parhaan turvallisuuden takaamiseksi mahdollisimman pysty asento ja varmista samalla, että lapsesi pää ei putoa eteenpäin lapsen nukahtaessa. Sekä mukavuus- että turvallisuussyistä kallistuskulma tulee säätää enemmän pystyyn lapsen kasvaessa. Huomaa, että alakiinnitysvöitä (M) kiristettäessä turvaistuin kallistuu hieman enemmän sen upotessa ajoneuvon istuintyynyyn. Kun AXKID MINIKID 4 asennetaan etumatkustajan istuimelle, turvaistuimen selkänöjää saattaa koskettaa kojelautaan.

3

Avaa vyökiinnike (N). Vedä ajoneuvon turvavyötä käsivarren pituus ulos ja pujota se itseäsi lähimpänä olevan turvavyöaukon (D) läpi. Vedä vyö vyökiinnikkeen (N) läpi ja pujota se turvavyöaukon (D) läpi vastakkaisella puolella. Yhdistä ajoneuvon turvavyö turvavyön solkeen ja vedä lujasti ajoneuvon turvavyön olkaosasta löysyyden poistamiseksi ja turvaistuimen kiinnittämiseksi. Mitä kovemmin vedät, sitä napakampi asennus. Kun turvaistuin on kunnolla kiinni, sulje vyökiinnike (N) ja lukitse ajoneuvon turvavyö paikalleen. Varmista, että sekä olka- että lantiovyö on lukittu yhteen vyökiinnikkeeseen (N). Sulje vyökiinnikkeen kansi (O) ja sulje vetoketju. Jotta asennus olisi entistä tiukempi ja tukevampi, paina turvaistuinta alas samalla kun vedät olkavyöstä.

4

Vedä alakiinnitysvyöt (M) ulos turvaistuimesta ja kytke ne ajoneuvosi alakiinnityspisteisiin. Katso lisätiedot tämän käyttöohjeen alahihnakiinnityspisteitä koskevasta kohdasta. Paina alaspäin turvaistuimen yläosasta ja heiluta turvaistuinta puolelta toiselle, jolloin AXKID MINIKID 4:n itsekiristyvät alakiinnitysvyöt (M) kiristyvät automaattisesti. Kiristämällä alakiinnitysvyöt (M) asetat myös ajoneuvon istuimen lopullisen kallistuskulman. Jatka turvaistuimen työntämistä, kunnes se on tiukasti kiinni ja kallistuskulma on sopiva. Tarkista, että alakiinnitysvyön valkoinen merkki on näkyvässä. Jos ei, alakiinnityspisteet ovat liian lähellä turvaistuinta ja niitä on säädettävä. Jos tämä ei ole mahdollista, voit myös asettaa alakiinnitysvyöt ristiin istuimen takana saadaksesi hieman enemmän etäisyyttä.

5

Vedä tukijalka (P) ulos turvaistuimesta. Paina tukijalan painiketta (Q) ja vedä tukijalkaa (P) alaspäin, kunnes se koskettaa ajoneuvon lattiaa. Vapauta tukijalan painike (Q) ja nosta turvaistuinta ylöspäin pidentääksesi tukijalkaa (P), kunnes kuulet naksahduksen. Tukijalan (P) pitäisi nyt olla lukittuna ja tiukasti ajoneuvon lattiaa vasten. Varmista, että tukijalka (P) on noin 10° kulmassa ajoneuvon keulaa kohti. Tarkasta ajoneuvon turvavyö uudelleen varmistaaksesi, että se on edelleen tiukasti kireällä eikä lantiovyö ole löystynyt, kun kiristät alakiinnitysvöitä ja tukijalkaa. Jos ajoneuvon turvavyö on löystynyt, kiristä se uudelleen toistamalla tämän ohjeen vaihe 2 irrottamatta alakiinnitysvöitä.

6

Työnnä ASIP-tyyny (I) ASIP-liittimen (L) loviin ja liu'uta alaspäin, jolloin ASIP-tyyny (I) napsahtaa paikalleen. Jos ASIP-liittimessä (L) on muovisuojus, irrota se ja aseta se ASIP-liittimeen (L) istuimen vastakkaisella puolella ennen ASIP-tyynyn (I) asentamista. Varmista, että ASIP-tyyny (I) on kiinnitetty AXKID MINIKID 4 -turvaistuimen sille puolelle, joka on lähempänä ajoneuvon ovea.



# Lapsen kiinnittäminen AXKID MINIKID 4-turvaistuimeen

Ennen kuin kiinnität lapsesi AXKID MINIKID 4 -turvaistuimeen, varmista, että istuimeen on asennettu oikea pienennystyyny. AXKID MINIKID 4 on suunniteltu kasvamaan lapsesi mukana ja varmistamaan lapsille mukava ja turvallinen istuvuus. Axxkid suosittelee pienennystyynyn käyttöä, kunnes se on liian tiukka lapsellesi, mutta kuitenkin alla olevan taulukon mukaiseen vähimmäispituuteen asti (huomaa, että ikä on vain ohjeellinen):

Ikä	Pituus	
Taapero 0-3 vuotta	61– 105 cm	
Lapsi 3-7 vuotta	106 – 125 cm	

AXKID MINIKID 4 on varustettu automaattisella pääntuella (A), joka laskeutuu oikeaan asentoon, kun valjaat kiristetään. Parhaan istuvuuden varmistamiseksi Axxkid suosittelee tämän toiminnon käyttämistä aina, kun kiinnität lapsesi. Varmista ennen lapsen asettamista turvaistuimeen, että automaattisen pääntuen (A) lukitus on avattu. Katso lisätietoja pääntuen (A) säätöä käsittelevästä kohdasta.

7

Varmista, että Pääntuen jarruvivun (H) lukitus on avattu. Jos se on lukittu, työnnä vipu auki-asentoon.

8

Löysää valjaita painamalla valjaiden vapautuspainiketta (E) ja vedä molemmat olkavyöt (R) ulos samanaikaisesti. Vältä vetämästä vain yhdestä vyöstä kerrallaan, koska se voi saada olkavyöt (R) epätasapainoon. Varmista, että pääntuki (A) on työnnetty ylös yläasentoon.

9

Avaa valjaiden solki painamalla soljen vapautuspainiketta (C) ja aseta vyöt istuimen ulkopuolelle.

10

Aseta lapsi istuimelle ja aseta olkavyöt (R) lapsen olkapäälle. Lukitse valjaat asettamalla ensin olkavöihin (R) kiinnitetyt soljen osat yhteen ja työntämällä ne sitten solkeen, kunnes kuulet napsahduksen.

11

Kiristä valjaat lapsesi lantion yli vetämällä olkavöistä (R). Pidä olkavyöt (R) kireällä ja vedä valjaiden kiristyshihnaa (F) suoraan turvaistuimesta, kunnes valjaat ovat tarpeeksi kireällä. Olkavöiden (R) väliin ei pitäisi mahtua enempää kuin yksi sormi ja lapsesi olkapää. Valjaita kiristettäessä pääntuki (A) laskeutuu automaattisesti lapsellesi oikeaan asentoon.



# Pääntuen säätö

AXKID MINIKID 4 on varustettu automaattisella pääntuella (A), joka varmistaa, että pääntuki (A) on lapsellesi aina parhaassa asennossa. Valjaita kiristettäessä pääntuki (A) laskeutuu itsestään oikealle korkeudelle ja lukittuu automaattisesti paikalleen. Kun valjaat löysätään, pääntuki (A) siirtyy takaisin yläasentoonsa ja lukitus aukeaa. Parhaan istuvuuden varmistamiseksi Axkid suosittelee tämän toiminnon käyttämistä aina, kun kiinnität lapsesi.

Pääntuen (A) lukitus avautuu vain yläasennossa. Siksi on tärkeää varmistaa, että pääntuki (A) liikkuu yläasentoon saakka valjaita löysätessä. Muussa tapauksessa pääntuki (A) pysyy lukittuna eikä liiku alas valjaita kiristettäessä.

Jos haluat poistaa automaattisen säätötoiminnon käytöstä ja pitää niskatuen (A) koko ajan samassa asennossa, aseta pääntuki (A) haluttuun asentoon ja käännä niskatuen jarruvipu (H) lukitusasentoon. Pääntuki (A) on nyt lukittu korkeussuunnassa, eikä se liiku, ennen kuin käännät niskatuen jarruvivun (H) takaisin avattuun asentoon.

Kun käytät AXKID MINIKID 4 -turvaistuinta, pääntuki (A) kiinteässä asennossa, varmistaa, että pääntuki (A) on säädetty lapsellesi oikealle korkeudelle. Tarkista, että olkavyöt (R) menevät istuimen läpi suoraan lapsesi olkapäiden korkeudelta tai enintään 1 cm niiden yläpuolelta. Jos ei, säädä pääntukea (A) kääntämällä niskatuen jarruvipu (H) avattuun asentoon ja avaa pääntuen (A) lukitus työntämällä se yläasentoon ja toista toimenpide.



## AXKID MINIKID 4 -turvaistuimen irrottaminen ajoneuvosta

- Avaa vetoketju ja vyökiinnikkeen kansi (O). Avaa ajoneuvon turvavyön lukitus painamalla turvavyön soljen punaista painiketta Avaa vyökiinnike (N) ja vedä ajoneuvon turvavyötä ja ohjaa se turvavyön aukkojen (D) läpi irrottaaksesi sen turvaistuimesta
- Avaa alakiinnitysvöiden (M) lukitus pitämällä kiinni liittimistä kädelläsi ja painamalla punaista painiketta peukalollasi. Pidä liittintä kädessäsi ja syötä se samalla hitaasti takaisin turvaistuimeen. Älä päästä irti alakiinnitysvyön liittimistä, sillä se kelautuu automaattisesti takaisin suurella nopeudella.
- Paina tukijalan painiketta (Q) ja paina tukijalka (P) kokoon.
- Paina kallistuksen säätövipua (G) ja työnnä kallistuskulman säädin (T) sisään lyhimpään asentoonsa. Nosta AXKID MINIKID 4 ulos ajoneuvosta

**Vihje:** Lukitse valjaiden solki ja kiristä valjaat, ennen kuin irrotat turvaistuimen ajoneuvosta. Tämän jälkeen voit käyttää olkavöitä (R) kantokahvana, mikä helpottaa turvaistuimen nostamista ja kuljettamista ajoneuvon ulkopuolella.

**Tärkeää:** Älä koskaan kannista istuinta pitämällä sitä kiinni niskatuesta (A)

### Kierrätä auton istuin.



Axkid suosittelee vanhojen turvaistuinten kierrätystä. Ennen kuin jätät istuimen paikalliselle kierrätysasemalle, leikkaa valjaiden hihnat istuimesta, poista tekstiilipäällinen, poista mahdollisimman monta styroksiosia, erota metalli- ja muoviosat, jos mahdollista. Istuimen pääosa tulee merkitä vaaralliseksi tai vanhentuneeksi (käytä merkkiä), jotta kukaan ei käyttäisi sitä uudelleen. Tarkista eri materiaalien kierrätysohjeet paikallisista kunnan ohjeista.



# Hoito-ohjeet

Istuimen tekstiilipäällinen kestää konepesun 30 °C:ssä hellävaraisella pesuohjelmalla. Älä laita päällystettä kuivausrumpuun, koska se saattaa vahingoittaa päällystettä ja pehmuste saattaa irrota kankaasta. Sivulla [www.axkid.com](http://www.axkid.com) on videoita, joissa on ohjeet päällysteen irrottamiseen ja asentamiseen.

## Tekstiilipäällisen poistaminen:

- Irrota ASIP-tyyny (I), jos se on kiinnitetty.
- Aseta niskatuven automaattinen jarruvipu (H) avattuun asentoon ja löysää valjaat painamalla valjaiden vapautuspainiketta (E) ja vedä molemmat olkavyöt (R) ulos samanaikaisesti.
- Avaa kaksi vetoketjua pääntuen (A) alisivulla ja vedä päällinen varovasti irti pääntuesta (A).
- Laske niskatuki (A) alimpaan asentoon ja käännä automaattinen pääntuen jarruvipu (H) lukittuun asentoon.
- Avaa valjaiden solki painamalla soljen vapautuspainiketta (C) ja irrota soljen suojus.
- Avaa vetoketju ja avaa vyökiinnikkeen kansi (O) ja poista muovikansi (O) tekstiilipäällisestä.
- Avaa turvaistuimen alla oleva vetoketju ja avaa tekstiilipäällisen 4 nappia turvaistuimen takaa.
- Avaa selkänöjan kaksi vetoketjua turvaistuimen sisäpuolelta ja poista tekstiilipäällinen varovasti turvaistuimesta. Ole varovainen ASIP-tyynyn ja muiden muovisuojusten ympärillä, ettei vahingoita tekstiiliä. Älä vedä liian voimakkaasti.
- Avaa olkapehmusteet ja poista ne varovasti tarranauhasta.

## Tekstiilipäällisen asentaminen

- Asenna tekstiilipäällinen takaisin turvaistuimeen edellä oleviin ohjeisiin nähden päinvastaisessa järjestyksessä.
- Huomaa, että olkapehmusteet voidaan asentaa eri kohtiin. Asenna ne lapsellesi sopivaan asentoon. Olkapehmusteet tulee sijoittaa lapsesi olkapään päälle ja rinnalle. Varmista myös, että olkapehmusteen kumipuoli on lapsesi rintakehää kohti.

Jos istuimen tekstiilipäällinen on vaihdettava, varmista että siihen käytetään ainoastaan Axkidin alkuperäisiä tuotteita. Muutoin AXKID MINIKID 4 -turvaistuimen turvajärjestelmän toiminta saattaa vaarantua ja seurauksena voi olla vakava henkilövahinko onnettomuuden sattuessa.

AXKID MINIKID 4 -turvaistuimen muoviosat voidaan puhdistaa miedolla puhdistusaineella ja vedellä. Älä käytä voimakkaita kemikaaleja sisältäviä pesuaineita tai vastaavia, koska ne saattavat vahingoittaa muovia ja vaarantaa turvaistuimen turvallisuuden.

# Takuu

AXKID MINIKID 4 -turvaistuimella on 24 kuukauden takuu ostopäivästä lukien. Säilytä ostokuitti ja ota se mukaan ostopaikkaan, jos sinulla on ongelmia, joita takuu ei kata.

- Normaalialue kulumista
- Vahinkoa, joka on aiheutunut virheellisestä käytöstä, laiminlyönnistä tai onnettomuudesta
- Jos kolmas osapuoli on tehnyt istuimeen korjauksia
- Kaikki istuimessa käytetyt materiaalit kestävät erittäin hyvin UV-säteilyä. UV-säteily on kuitenkin erittäin voimakasta ja johtaa lopulta päällyskankaan haalistumiseen. Takuu ei kata tällaista kulumista, koska sitä pidetään normaalina kulumisena.
- Käsittele istuinta varoen. Älä koskaan kanna istuinta pitämällä sitä kiinni niskatuesta (A).

# Täname, et valisite **AXKID MINIKID 4** turvatooli

Enne AXKID MINIKID 4 turvatooli paigaldamist sõidukisse lugege läbi see kasutusjuhend. Lisateabe saamiseks ja paigaldusvideote vaatamiseks minge lehele [www.axkid.com](http://www.axkid.com).

**AXKID MINIKID 4** on seljaga sõidusuunas turvatool, mis on kasutamiseks heaks kiidetud lastele pikkusega 61–125 cm, ≤36 kg

AXKID MINIKID 4 sobib kasutamiseks umbes alates kuue kuu vanuselt või kui teie laps oskab juba ise istuda. AXKID MINIKID 4 on terviklik turvasüsteem, mis integreeritakse autosse sõiduki turvavõõga. Turvatool on saanud tüübikinnituse vastavalt ÜRO eeskirjale nr 129 kasutamiseks sõidukiistmetel, mis on näidatud sõidukite nimekirjas. Kahtluse korral konsulteerige turvasüsteemi tootjaga ([www.axkid.com](http://www.axkid.com)) või jaemüüjaga.

## Oluline teave

Lapse ohutuse tagamiseks tuleb meeles pidada järgmist.

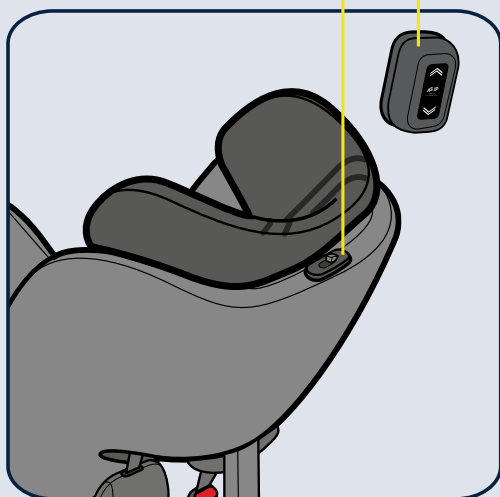
- Järgige alati selles juhendis toodud juhiseid. Valesti paigaldamine võib tõsiselt mõjutada teie lapse ohutust. Kahtluse korral pöörduge edasimüüja poole, kes näitab, kuidas turvatooli õigesti paigaldada.
- Hoidke see kasutusjuhend edaspidiseks kasutamiseks alles. Kui juhend läheb kaotsi, leiate selle veebisaidilt [www.axkid.com](http://www.axkid.com)
- Ärge kasutage AXKID MINIKID 4 turvatooli sõiduki istmel, kuhu on paigaldatud aktiivne eesmine turvapadi. Kui soovite AXKID MINIKID 4 sellisele istmele paigutada, tuleb turvapadi vastavalt sõidukitootja juhistele välja lülitada.
- Õnnetuse, ka väikese õnnetuse korral tuleb turvatool alati välja vahetada. Turvatoolil võib olla silmale nähtamatuid kahjustusi, mis võib tõsiselt mõjutada teie lapse turvalisust. Seetõttu ei soovita Axkid osta kasutatud turvatoole.
- Kui AXKID MINIKID 4 turvatool on otsese päikesevalguse käes, siis veenduge enne lapse tooli asetamist, et see ei oleks liiga kuum.
- Ärge jätke last mitte kunagi sõidukisse järelevalveta.
- Jälgige, et pagas ja lahtised esemed oleksid autos kinnitatud, sest avarii korral võivad need põhjustada sõitjatele vigastusi.
- Veenduge, et AXKID MINIKID 4 turvatool oleks paigaldatud nii, et selle ükski osa ei jääks liukivate istmete, autouste jms vahele kinni.
- Kui kasutate alumisi kinnitusrihmasid, siis veenduge, et need oleksid paigaldatud nii, et need ei häiri ühegi sõidukiistme liikumist.
- AXKID MINIKID 4 turvatooli tohib paigaldada ainult seljaga sõidusuunas.
- Veenduge alati, et turvarihmad oleksid reguleeritud teie lapse keha järgi. Turvarihmu reguleeritakse peatoe liigutamisega.
- Veenduge, et lapse kinnitamisel turvarihmadega oleks lapse selg surutud vastu turvatooli.
- Veenduge alati, et turvarihmad oleksid pingutatud tihedalt vastu lapse keha ja panna täielikult lukustunud; rihmu ei tohi olla võimalik kokku pigistada.
- Veenduge, et turvarihmad ei oleks keerduis.
- Veenduge alati, et tugijalg oleks õiges asendis ja puutuks kokku sõiduki põrandaga. Tugijalg on väga oluline turvaelement, mille eesmärk on maksimeerida teie lapse ohutust avarii korral.
- Ärge püüdke AXKID MINIKID 4 ühtki osa eemaldada ega modifitseerida. See võib mõjutada Axkidi turvatooli garantiid ja ohutusvõimet.
- Ärge kunagi kasutage AXKID MINIKID 4 turvatooli ilma tekstiilkatteta. Istme tekstiilkate on turvaelement ja selle tohib asendada ainult Axkidi originaalse istme tekstiilkattega.
- Teavet selle kohta, millistel istekohtadel kasutamiseks AXKID MINIKID 4 turvatool sobib, vaadake sõiduki käsiraamatust ja sõidukite nimekirjast veebisaidil [www.axkid.com](http://www.axkid.com).
- Axkid soovib alati kasutada istmekaitset, et kaitsta sõiduki istet kriimustuste ja mustuse eest.
- Kahtluse korral pöörduge jaemüüja poole, kellelt turvatool osteti, või võtke ühendust aadressil [info@axkid.com](mailto:info@axkid.com).



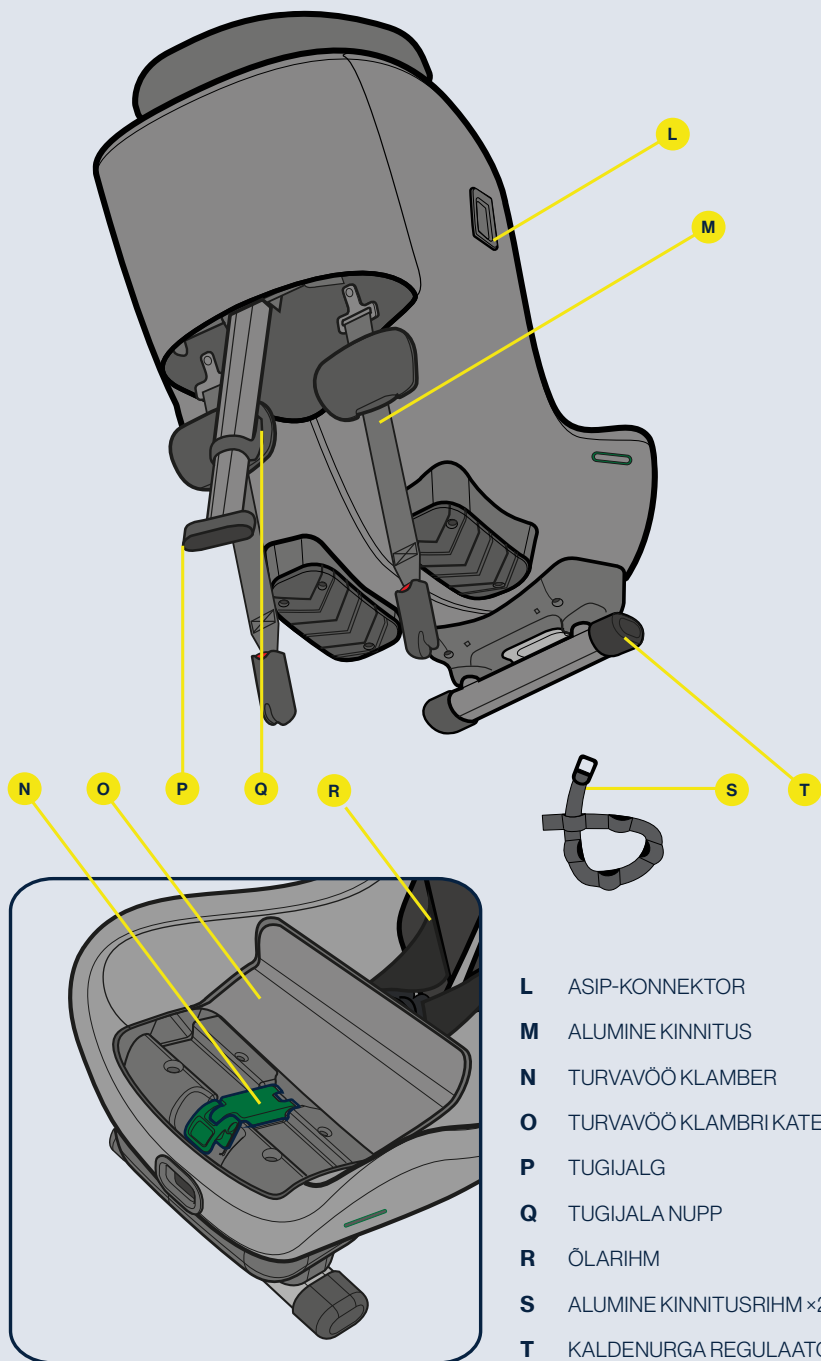
# Sisukord

Osad	134
AXKID MINIKID 4 turvatooli lubatud ja mittelubatud paigutus	136
Alumised kinnituspunktid	136
Alumiste kinnitusrihmade paigaldamine	137
Lapse kinnitamine AXKID MINIKID 4 turvatooli	139
Peatoe reguleerimine	140
AXKID MINIKID 4 turvatooli eemaldamine sõidukist	140
Hooldus	141
Garantii	141

# Osad



- A PEATUGI
- B SISSEEHITATUD TURVARIHMAD
- C PANDLA VABASTUSNUPP
- D TURVAVÖÖ PESA
- E TURVARIHMADE VABASTUSNUPP
- F TURVARIHMADE PINGUTUSRIHM
- G KALDE REGULEERIMISE HOOB
- H PEATOE LUKUSTI
- I ASIP-PADI
- J KAND
- K VERTIKAALJOO

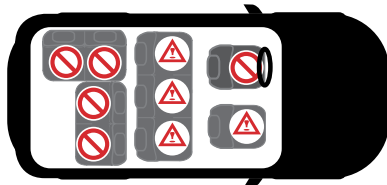




# AXKID MINIKID 4 turvatooli lubatud ja mittelubatud paigutus

AXKID MINIKID 4 turvatooli tohib paigaldada ainult seljaga sõidusuunas. See sobib enamikule, kuid mitte kõikidele istekohtadele. Vaadake oma sõiduki kasutusjuhendist, millised on sobivad istmed, ja kontrollige sõidukite loendit veebisaidil [www.axkid.com](http://www.axkid.com)

Esiiste (ilma aktiivse turvapadjata)	JAH/EI*
Esiiste (aktiivse turvapadjaga)	EI
Kolmepunktilise turvavööga tagaiste	JAH
Kahepunktilise turvavööga iste	EI
Külje ja seljaga sõidusuunas paiknevad istmed	EI



**TÄHTIS!** Kui soovite paigaldada oma AXKID MINIKID 4 turvatooli kohale, kuhu on paigaldatud eesmine turvapadi, tuleb turvapadi vastavalt sõiduki tootja juhistele välja lülitada. Pange tähele, et mõne sõiduki puhul tuleb turvapadja väljalülitamiseks pöörduda volitatud teeninduskeskusse.

\* Hispaania üldise liikluseeskirja artikli 117 kohaselt on alla 135 cm pikkustel lastel eranditeta keelatud sõita sõiduki esiistmel.



## Alumised kinnituspunktid Oluline teave

Alumisi kinnituspunkte kasutatakse laste kaitse tõhustamiseks autodes, võimaldades seljaga sõidusuunas ja turvavööga kinnitatavoid turvatoole kindlalt ning stabiilselt paigaldada. See suurendab teie lapse ohutust igat tüüpi kokkupõrgete korral, sealhulgas ümbermineku- ja seotud avariide ja tagant kokkupõrgete korral.

Alumised kinnitused on väljakujunenud meetod, mida Põhjamaades kasutatakse laialdaselt juba üle 40 aasta. 2020. aastal anti alumiste kinnituspunktide kohta välja uus rahvusvaheline standard ISO 13216-4:2020. Selles standardis kirjeldatakse nõudeid turvatoolide alumistele kinnitustele, aga ka sõidukitootjatele ja nende kinnituspunktidele. Standardi eesmärk on parandada ühilduvust ning tagada ohutu ja lihtne paigaldusviis tulevikus.

AXKID MINIKID 4 alumised kinnitused vastavad standardile ISO 13216-4:2020, tagades täiusliku sobivuse ja lihtsa paigaldamise sõidukitele, millel on eelnevalt paigaldatud alumised kinnituspunktid, mis vastavad samuti sellele standardile. Kui teie sõidukil on standardile mittevastavad kinnituspunktid, sobivad AXKID MINIKID 4 alumised kinnitused siiski tõenäoliselt, kuid mitte garanteeritult.

Sõidukitesse eelpaigaldatud alumised kinnituspunktid asuvad sageli pöranda külge kinnitatud istmerööbastele, kuid kasutatakse ka teisi asendeid. Lisateavet kasutatavate kinnituspunktide kohta leiate sõiduki kasutusjuhendist.

Kui teie sõidukil ei ole eelpaigaldatud alumisi kinnituspunkte, on AXKID MINIKID 4 varustatud täiendavate alumiste kinnitusrihmadega (S), mille saab teie sõidukisse paigaldada. Paigaldusjuhiseid vaadake käesolevast juhendist. Need rihmad vastavad samuti standardile ISO 13216-4:2020 ja õigesti paigaldamisel tagavad need samasuguse ohutuse nagu eelpaigaldatud kinnituspunktid.

Mõned sõidukitootjad pakuvad ka alumiste kinnituspunktide eraldi paigaldamise võimalust. Lisateabe saamiseks pöörduge oma sõiduki tootja või edasimüüja poole. Axkidi eraldi paigaldatavad alumised kinnituspunktid ja alumised lisakinnitusrihmad saab osta eraldi.

**Märkus.** Ärge kunagi kasutage AXKID MINIKID 4 ilma alumiste kinnitusteta. Need on oluline ohutusfunktsioon ja neid tuleb turvatooli paigaldamisel alati kasutada.

# Alumiste kinnitusrihmade paigaldamine

Kui teie sõidukil ei ole sobivaid eelpaigaldatud alumisi kinnituspunkte, on AXKID MINIKID 4 varustatud alumiste kinnitusrihmadega, mille saab teie sõidukisse paigaldada. Olenevalt sõidukist ja istme asukohast, kuhu otsustate turvatooli paigaldada, on kinnitusrihmade paigaldamiseks mitu võimalikku kinnituskohta. Variante vt allpool.

Alumiste kinnitusrihmade (S) paigaldamiseks suunake riim lihtsalt ümber valitud kinnituskoha ja pistke metallankur läbi ühe riimas oleva pilu. Kinnitusrihmalt on kasutamiseks mitu pilu. Kasutage kindlasti metallankrule lähimat pilu, paigaldades seega metallankru sõiduki põrandale võimalikult lähedale. Kui see on tehtud, tõmmake metallankrut, et rihma pingutada, ja korrake toimingut teise riimaga. Kasutage AXKID MINIKID 4 paigaldamisel alati kaht kinnituspunkti ja valige eraldi kinnituspunktid, kuna see tagab stabiilsema paigalduse.

## Kinnitusrihma suunamise võimalused

- var. **a** Viige riim ümber eelpaigaldatud kinnituspunkti serva (kasutage seda meetodit ainult juhul, kui eelpaigaldatud kinnituspunktid ei sobi otse alumiste kinnitustega)
- var. **b** Paigaldage riim ümber turvatooli ees oleva istmerööpa, viies rihma läbi istmerööpa ja sõiduki põrandavahe vahelt või läbi istmerööpa sobiva augu.
- var. **c** Paigaldage riim ümber turvatooli ees oleva sõidukiistme hinge, viies rihma läbi sõidukiistme seljatoe ja istmepadja vahelt.
- var. **d** Paigaldage riim ümber turvatooli all istmerööpa, viies rihma läbi istmerööpa ja sõiduki põrandavahe vahelt või läbi istmerööpa sobiva augu.
- var. **e** Kui paigaldate AXKID MINIKID 4 esiistmele ja ükski eespool nimetatud variantidest ei ole teostatav, on võimalik kinnitada alumised kinnitusrihmad sõiduki tagaosas asuvasse sobivasse kinnituspunkti ja viia rihmad sõidukiistme alt sõiduki esiossa. Veenduge, et kinnitusrihmad tuleksid välja istme eest, mitte külgedelt.

**Märkus.** Veenduge alati, et sõidukiistme asendi muutmine ei takistaks ega kahjustaks paigaldatud alumisi kinnitusrihmasid

**Märkus.** Ärge kunagi kasutage rihmade suunamiseks teravaid esemeid, kuna need võivad rihma kahjustada.



# AXKID MINIKID 4 turvatooli paigaldamine sõidukisse

Enne AXKID MINIKID 4 paigaldamist veenduge, et teie sõidukil oleksid alumised kinnituspunktid olemas. Lisateavet ja paigaldusjuhised leiate käesoleva juhendi jaotisest alumiste kinnituspunktide kohta.

1

Tõmmake lukk lahti ja avage turvavöö klambri kate (O)

2

Asetage AXKID MINIKID 4 sõidukiistmele, nii et turvatooli tagakülj oleks suunatud sõiduki esiosa poole. Reguleerige lapse jalaruumi, liigutades turvatooli lihtsalt autoistmel edasi-tagasi. AXKID MINIKID 4 saab paigaldada tihedalt vastu sõidukiistme seljatuge, kuid seda ei tohi kunagi paigaldada nii, et kand (J) ripub üle sõidukiistme serva. Veenduge, et kanna (J) vertikaaljoon (K) ei ületaks kunagi sõidukiistme serva.

Reguleerige turvatooli kaldenurka, vajutades kalde reguleerimishooba (G), ja valige sobiv kalle. Maksimalse ohutuse tagamiseks valige võimalikult püstine asend, veendudes ühtlasi, et lapse pea ei vajuks magamise ajal ette. Nii mugavuse kui ka ohutuse huvides tuleb lapse kasvades reguleerida kaldenurk püstisemasse asendisse. Pange tähele, et alumiste kinnituste (M) pingutamisel jääb turvatool suurema kalde alla, kuna vajub sõiduki istmepatja. AXKID MINIKID 4 paigaldamisel esiistmele võib, kuid ei pea, turvatooli tagakülj puutuda vastu armatuurlauda.

3

Avage turvavöö klamber (N). Tõmmake sõiduki turvavöö käsivarrepikkuselt välja ja viige läbi teile lähima pilu turvavöö (D). Suunake turvavöö läbi turvavöö klambri (N) ja kruvige läbi vastasküljel oleva turvavöö pilu (D). Kinnitage sõiduki turvavöö pandlaga ja tõmmake kõvasti sõiduki turvavöö õlaosast, et eemaldada lõtk ja kinnitada turvatool; mida tugevamini tõmbate, seda kindlam on paigaldus. Kui turvatool on kindlalt kinnitatud, sulgege turvavöö klamber (N) ja lukustage sõiduki turvavöö. Veenduge, et nii õla- kui ka vöörühm oleksid turvavöö klambri (N) kokku lukustatud. Sulgege turvavöö klambri kate (O) ja tõmbluk. Veelgi kindlamaja ja stabiilsema paigalduse tagamiseks suruge õlarihma tõmbamisel turvatool alla.

4

Tõmmake alumised kinnitused (M) turvatoolist välja ja ühendage sõiduki alumiste kinnituspunktidega; lisateavet vaadake käesoleva juhendi jaotisest alumiste kinnituspunktide kohta. Suruge turvatooli ülaosa alla ja kõigutage turvatooli küljelt küljele. AXKID MINIKID 4 isepingulduvad alumised kinnitused (M) pingulduvad automaatselt. Alumiste kinnituste (M) pingutamine määrab ära ka turvatooli lõpliku kaldenurga. Suruge turvatooli seni, kuni see on kindlalt kinnitunud ja olete saavutanud sobiva kaldenurga. Kontrollige, kas alumise kinnitusrinna valge märgistus on nähtav. Kui ei, siis on alumised kinnituspunktid turvatoolile liiga lähedal ja neid tuleb reguleerida. Kui see pole võimalik, võite alumised kinnitused istme taga ka ristata, et saada veidi suurem vahemaa.

5

Tõmmake tugijalg (P) turvatoolist välja. Vajutage tugijala nuppu (Q) ja tõmmake tugijalga (P) allapoole, kuni see puutub vastu sõiduki põrandat. Vabastage tugijala nupp (Q) lahti ja tõstke turvatooli ülespoole, et tugijalga (P) veelgi pikendada, kuni kuulete klõpsu. Tugijalg (P) peaks nüüd olema lukustatud ja kindlalt sõiduki põrandale surrutud. Veenduge, et tugijalg (P) oleks umbes 10° nurga all sõiduki esiosa suunas. Kontrollige sõiduki turvavööd uuesti veendumaks, et see on endiselt kindlalt pingul ja vöörühmale pole alumiste kinnituste ja tugijala pingutamisel tekkinud lõtku. Kui sõiduki turvavöö on pisut pinget kaotanud, siis lihtsalt pingutage seda uuesti, korrates juhiste 2. sammu, vabastamata alumisi kinnitusi.

6

Lükake ASIP-padi (I) ASIP-konnektori (L) pesadesse ja libistage seda allapoole, nii et ASIP-padi (I) klõpsab kohale. Kui ASIP-konnektoril on plastkate (L), siis enne ASIP-padja (I) paigaldamist eemaldage see ja pange ASIP-konnektorile (L) istme vastasküljel. Veenduge, et ASIP-padi (I) oleks kinnitatud AXKID MINIKID 4 turvatooli sellele küljele, mis on sõiduki uksele kõige lähemal.



# Lapse kinnitamine AXKID MINIKID 4 turvatooli

Enne lapse kinnitamist AXKID MINIKID 4 turvatooli veenduge, et sellele oleks paigaldatud õige beebisisu. AXKID MINIKID 4 kasvab koos lapsega ning tagab lastele mugava ja turvalise sobivuse. Axkid soovib kasutada beebisisu seni, kuni see on teie lapse jaoks liiga kitsas, ent kuni minimaalse pikkuseni vastavalt allolevale tabelile (pange tähele, et vanus on lihtsalt viitek).

Vanus	Pikkus	
Väikelaps, 0–3 aastat	61–105 cm	
Laps, 3–7 aastat	106–125 cm	

AXKID MINIKID 4 on varustatud automaatse peatoega (A), mis turvarihmade pingutamisel langetab end õigesse asendisse. Parima sobivuse tagamiseks soovib Axkid seda funktsiooni kasutada iga kord, kui oma lapse turvatooli panete. Enne lapse turvatooli asetamist veenduge, et automaatne peatugi (A) oleks lukustamata asendis. Lisateabe saamiseks vaadake jaotist peatoe (A) reguleerimise kohta.

7

Veenduge, et peatoe pidurihoob (H) oleks lukustamata. Kui see on lukustatud, lükake hoob lukustamata asendisse.

8

Lõdvendage turvarihmu, vajutades turvarihmade vabastamise nuppu (E) ja tõmmates mõlemad õlarihmad (R) korraga välja. Vältige korraga ainult ühe rihma tõmbamist, kuna nii võivad õlarihmad (R) muutuda ebaühtlaseks. Veenduge, et peatugi (A) oleks lükatud ülemisse asendisse.

9

Vabastage turvavöö pannel, vajutades pandla vabastamise nuppu (C), ja asetage rihmad toolist väljapoole.

10

Asetage laps toolile ja seadke õlarihmad (R) üle lapse õla. Lukustage rihmad, seades kõigepealt õlarihmade (R) külge kinnitatud pandlaosad kokku ja seejärel lükates need pandlasse, kuni kuulete klõpsu.

11

Tõmmake õlarihmu (R), et pingutada turvarihmad üle lapse puusade. Hoides õlarihmu (R) pingul, tõmmake turvarihmade pingutusrihma (F) otse turvatoolist, kuni turvarihmad on piisavalt pingutatud. Õlarihmade (R) ja lapse õlgade vahele ei tohi mahtuda rohkem kui üks sõrm. Turvarihmade pingutamisel liigub peatugi (A) automaatselt allapoole teie lapse jaoks õigesse asendisse.



# Peatoe reguleerimine

AXKID MINIKID 4 on varustatud automaatse peatoega (A), mis tagab, et peatugi (A) on alati teie lapse jaoks sobivimas asendis. Turvarihmade pingutamisel langetab peatugi (A) end õigele kõrgusele ja lukustub automaatselt paika. Turvarihmade lõdvendamisel liigub peatugi (A) uuesti ülemisse asendisse ja vabaneb lukust. Parima sobivuse tagamiseks soovib Axkid seda funktsiooni kasutada iga kord, kui oma lapse turvatooli panete.

Peatugi (A) vabaneb lukust ainult ülemises asendis. Seetõttu on oluline veenduda, et peatugi (A) liiguks turvarihmade lõdvendamisel ülemisse asendisse, muidu jääb peatugi (A) lukku ega liigu turvarihmade pingutamisel alla.

Kui soovite automaatse reguleerimise funktsiooni inaktiveerida ja hoida peatoe (A) fikseeritud asendis, seadke peatugi (A) soovitud asendisse ning lülitage peatoe pidurihoob (H) lukustatud asendisse. Peatugi (A) on nüüd lukustatud fikseeritud kõrgusele ega liigu enne, kui lülitate peatoe pidurihooba (H) tagasi lukustamata asendisse.

Kui kasutate AXKID MINIKID 4 fikseeritud asendis peatoega (A), siis veenduge, et peatugi (A) oleks teie lapse jaoks õigel kõrgusel. Kontrollige, kas õlarihmad (R) liiguvad läbi istme otse teie lapse õlgade kohalt või maksimaalselt 1 cm kõrguselt. Kui ei, siis reguleerige peatuge (A), lülitades peatoe pidurihooba (H) lukustamata asendisse ja lükates peatoe (A) ülemisse asendisse, et lukust vabastada, seejärel korrake toimingut.



## AXKID MINIKID 4 turvatooli eemaldamine sõidukist

- Avage tõmbluk ja turvavöö klambri kate (O). Sõiduki turvavöö avamiseks vajutage turvavöö pandla punast nuppu. Avage turvavöö klamber (N), tõmmake sõiduki turvavööd ja viige see läbi turvavöö pilude (D), et see turvatoolilt eemaldada.
- Avage alumised kinnitused (M), hoides käega konnektoritest kinni ja vajutades pöidlaga punast nuppu. Hoides konnektorit käes, laske see aeglaselt tagasi autoistmesse. Olge ettevaatlik, et te ei laseks alumisest kinnituskonnektorist lahti, sest see tõmbub suure kiirusega automaatselt tagasi.
- Vajutage tugijala nuppu (Q) ja laske tugijalg (P) lühimasse asendisse.
- Vajutage kalde reguleerimishooba (G) ja lükake kaldenurga regulaator (T) lühimasse asendisse. Tõstke AXKID MINIKID 4 sõidukist välja.

**Näpunäide.** Lukustage turvarihmade pannal ja pingutage turvarihmad enne turvatooli eemaldamist sõidukist. Õlarihmu (R) saate kasutada kandesangana, mis hõlbustab turvatooli väljatõstmist ja selle transportimist sõidukist väljas.

**Tähtis!** Ärge kunagi tõstke turvatooli peatoest (A) hoides



# Hooldus

Istmekatte saab pesta masinas 30 °C juures õrna tsükliga. Ärge pange katet kuivatisse, sest see võib katet kahjustada ja polster võib riide küljest lahti tulla. Veebisaidilt [www.axkid.com](http://www.axkid.com) leiate videoid, kus selgitatakse, kuidas katet eemaldada ja paigaldada.

## Tekstiilkatte eemaldamine

- Eemaldage ASIP-padi (I), kui see on kinnitatud.
- Seadke automaatse peatoe pidurihoob (H) lukustamata asendisse ja vabastage turvarihmad, vajutades turvarihmade vabastamise nuppu (E), seejärel tõmmake mõlemad õlarihmad (R) korruga välja.
- Avage kaks tõmblukku peatoe alumisel küljel (A) lahti ja tõmmake kate peatoelt (A) ettevaatlikult maha.
- Langetage peatugi (A) madalaimasse asendisse ja lülitage automaatse peatoe pidurihoob (H) lukustatud asendisse.
- Vabastage turvavöö pannel, vajutades pandla vabastamise nuppu (C), ja eemaldage pandla kate.
- Avage tõmblukk ja turvavöö kate (O) ning eemaldage tekstiilkattelt plastkate (O).
- Avage turvatooli põhjal olev tõmblukk ja turvatooli tagaküljel tekstiilkatte 4 nööpi.
- Avage kaks tõmblukku turvatooli seljatoe siseküljel ja eemaldage tekstiilkatte ettevaatlikult turvatoolilt. Olge ASIP-padja ja muude plastkatete ümber ettevaatlik, et tekstiili mitte kahjustada, ning ärge tõmmake kõvasti.
- Avage õlapadjad ja eemaldage need ettevaatlikult krõpskinnitusest.

## Tekstiilkatte paigaldamine

- Turvatoolile tekstiilkatte tagasi paigaldamiseks tehke eespool kirjeldatud toimingud vastupidises järjekorras.
- Pange tähele, et õlapatju saab paigaldada eri asenditesse. Paigaldage need oma lapsele sobivasse asendisse – õlapadjad peavad asetsema lapse õlal ja rinnal. Samuti veenduge, et õlapadja kummist pool on vastu lapse rinda.

Kui tekstiilist istmekate vajab vahetamist, kasutage üksnes Axxidi originaaltooteid. Muude toodete kasutamisel võib AXKID MINIKID 4 turvasüsteem kahjustuda ja avarii korral raskeid vigastusi põhjustada.

AXKID MINIKID 4 turvatooli plastosi saab puhastada lahja pesuvahendi ja veega. Ärge kasutage tugevatoimelisi kemikaale, mis sisaldavad lahusteid jms, sest need võivad plasti kahjustada ja AXKID MINIKID 4 ohutust vähendada.

# Garantii

AXKID MINIKID 4-I on 24 kuu pikkune garantii alates ostukuupäevast. Hoidke ostutšekk alles ja võtke see müüja juurde kaasa, kui teil tekib garantiiprobleem, mida garantii ei kata.

- Normaalne kulumine
- ebaõige kasutamise, hooletuse või õnnetuse tõttu tekkinud kahju
- kolmanda isiku poolse paranduse korral
- Kõigil kasutatavatel materjalidel on väga kõrge UV-kindluse aste. Paraku on UV-kiirgus väga tugev ning viib varem või hiljem istmekatte pleekimiseni. Seda meie garantii ei hõlma, sest see loetakse normaalseks kulumiseks.
- Käsitsege turvatooli ettevaatlikult. Ärge kunagi tõstke turvatooli peatoest (A) hoides.

# Ευχαριστούμε που επιλέξατε το AXKID MINIKID 4

Διαβάστε αυτό το εγχειρίδιο οδηγιών πριν τοποθετήσετε το κάθισμα αυτοκινήτου AXKID MINIKID 4 στο όχημά σας. Για περισσότερες πληροφορίες και βίντεο τοποθέτησης, επισκεφθείτε τη διεύθυνση [www.axkid.com](http://www.axkid.com).

Το κάθισμα αυτοκινήτου **AXKID MINIKID 4** είναι ένα κάθισμα αυτοκινήτου που βλέπει προς τα πίσω, εγκεκριμένο για παιδιά με ύψος μεταξύ 61-125 cm, ≤36 kg

Το AXKID MINIKID 4 είναι κατάλληλο για χρήση από την ηλικία των έξι μηνών περίπου ή από τότε που το παιδί σας μπορεί να κάθεται χωρίς υποστήριξη.

Αυτό είναι ένα αναπόσπαστο Σύστημα Συγκράτησης Παιδιού με Ζώνες Ειδικού οχήματος. Είναι εγκεκριμένο σύμφωνα με τον Κανονισμό των Ηνωμένων Εθνών Αρ. 129, για χρήση σε συμβατές θέσεις καθισμάτων αυτοκινήτων όπως υποδεικνύεται από τη λίστα αυτοκινήτων. Εάν έχετε αμφιβολίες, συμβουλευτείτε είτε τον κατασκευαστή του ενισχυμένου συστήματος συγκράτησης παιδιών ([www.axkid.com](http://www.axkid.com)) είτε τον πωλητή λιανικής.

## Σημαντικές πληροφορίες

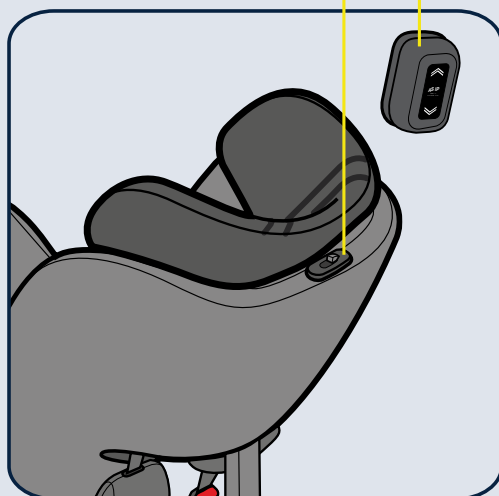
Για να μεγιστοποιήσετε την ασφάλεια του παιδιού σας, είναι σημαντικό να τηρούνται τα εξής:

- Ακολουθείτε πάντα τις οδηγίες σε αυτό το εγχειρίδιο. Μια λανθασμένη εγκατάσταση μπορεί να επηρεάσει σοβαρά την ασφάλεια του παιδιού σας. Αν έχετε απορίες, επικοινωνήστε με το κατάστημα για τη σωστή τοποθέτηση.
- Φυλάξτε αυτό το εγχειρίδιο οδηγιών για μελλοντική αναφορά. Εάν χαθεί το εγχειρίδιο, μπορείτε να το βρείτε online στη διεύθυνση [www.axkid.com](http://www.axkid.com)
- Μη χρησιμοποιείτε το κάθισμα αυτοκινήτου AXKID MINIKID 4 σε θέση καθίσματος όπου έχει τοποθετηθεί ενεργός εμπρός αερόσακος. Εάν επιθυμείτε να τοποθετήσετε το AXKID MINIKID 4 σε τέτοιο κάθισμα, ο αερόσακος πρέπει να απενεργοποιηθεί, σύμφωνα με τις οδηγίες του κατασκευαστή του οχήματος.
- Σε περίπτωση ατυχήματος, ανεξάρτητα από την έκτασή του, το παιδικό κάθισμα αυτοκινήτου θα πρέπει να αντικαθίσταται. Μπορεί να έχει υποστεί κάποια βλάβη που δεν είναι ορατή και να επηρεάσει σοβαρά την ασφάλεια του παιδιού σας. Για αυτόν τον λόγο, η Axkid δεν συνιστά την αγορά μεταχειρισμένων καθισμάτων αυτοκινήτου.
- Εάν το κάθισμα αυτοκινήτου AXKID MINIKID 4 έχει εκτεθεί σε άμεσο ηλιακό φως, βεβαιωθείτε ότι το κάθισμα αυτοκινήτου δεν είναι πολύ ζεστό πριν τοποθετήσετε το παιδί σας.
- Μην αφήνετε ποτέ το παιδί σας στο αυτοκίνητο χωρίς παρακολούθηση.
- Βεβαιωθείτε ότι οι αποσκευές ή τα ελεύθερα αντικείμενα είναι ασφαλισμένα στο όχημά σας, καθώς ενδέχεται να προκαλέσουν τραυματισμούς στους επιβάτες σε περίπτωση ατυχήματος.
- Βεβαιωθείτε ότι το κάθισμα αυτοκινήτου AXKID MINIKID 4 έχει τοποθετηθεί με τέτοιο τρόπο ώστε να μην παγιώνονται εξαρτήματα από κινητά καθίσματα, πόρτες αυτοκινήτου κ.λπ.
- Εάν χρησιμοποιείτε ιμάντες αγκύρωσης κάτω πρόσδεσης, βεβαιωθείτε ότι είναι τοποθετημένοι με τέτοιο τρόπο ώστε να μην παρεμποδίζουν την κίνηση οποιουδήποτε καθίσματος του αυτοκινήτου.
- Το κάθισμα αυτοκινήτου AXKID MINIKID 4 μπορεί να τοποθετηθεί μόνο προς τα πίσω.
- Να βεβαιώνετε πάντα ότι η ζώνη είναι ρυθμισμένη ώστε να ταιριάζει σωστά στο σώμα του παιδιού σας. Η ζώνη ρυθμίζεται μετακινώντας το στήριγμα κεφαλής.
- Βεβαιωθείτε ότι η πλάτη του παιδιού πιέζεται στο κάθισμα αυτοκινήτου όταν συγκρατείτε το παιδί σας με τη ζώνη.
- Να βεβαιώνετε πάντα ότι η ζώνη είναι σφιγμένη στο παιδί σας και ότι η πόρτη είναι εντελώς ασφαλισμένη, δεν πρέπει να μετακινείτε τους ιμάντες.
- Βεβαιωθείτε ότι δεν υπάρχει συστροφή στη ζώνη.
- Βεβαιωθείτε ότι το πόδι στήριξης βρίσκεται πάντα στη σωστή του θέση και ότι έρχεται σε επαφή με το δάπεδο του αυτοκινήτου. Το πόδι στήριξης είναι ένα πολύ σημαντικό χαρακτηριστικό ασφαλείας που έχει σχεδιαστεί για να μεγιστοποιεί την ασφάλεια του παιδιού σας σε περίπτωση ατυχήματος.
- Μην επιχειρήσετε να αποσυναρμολογήσετε ή να τροποποιήσετε οποιοδήποτε μέρος του καθίσματος αυτοκινήτου AXKID MINIKID 4. Η εγγύηση και οι επιδόσεις ασφαλείας του καθίσματος αυτοκινήτου Axkid θα μπορούσαν να επηρεαστούν σε μια τέτοια περίπτωση.
- Μην χρησιμοποιείτε ποτέ το κάθισμα αυτοκινήτου AXKID MINIKID 4 χωρίς το υφασμάτινο κάλυμμα. Το υφασμάτινο κάλυμμα καθίσματος είναι χαρακτηριστικό ασφαλείας και μπορεί να αντικατασταθεί μόνο με ένα γνήσιο υφασμάτινο κάλυμμα καθίσματος Axkid.
- Διαβάστε το εγχειρίδιο αυτοκινήτου και τη λίστα αυτοκινήτων στη διεύθυνση [www.axkid.com](http://www.axkid.com) για να βρείτε ποιες θέσεις καθισμάτων είναι κατάλληλες για το συγκεκριμένο κάθισμα αυτοκινήτου
- Η Axkid συνιστά να χρησιμοποιείτε πάντα μια προστασία καθίσματος για να προστατεύετε το κάθισμα του οχήματός σας από γρατσουνιές και βρωμιά.
- Εάν έχετε αμφιβολίες, επικοινωνήστε με το κατάστημα λιανικής από όπου αγοράσατε το κάθισμα αυτοκινήτου ή επικοινωνήστε με τη διεύθυνση ηλεκτρονικού ταχυδρομείου [info@axkid.com](mailto:info@axkid.com)

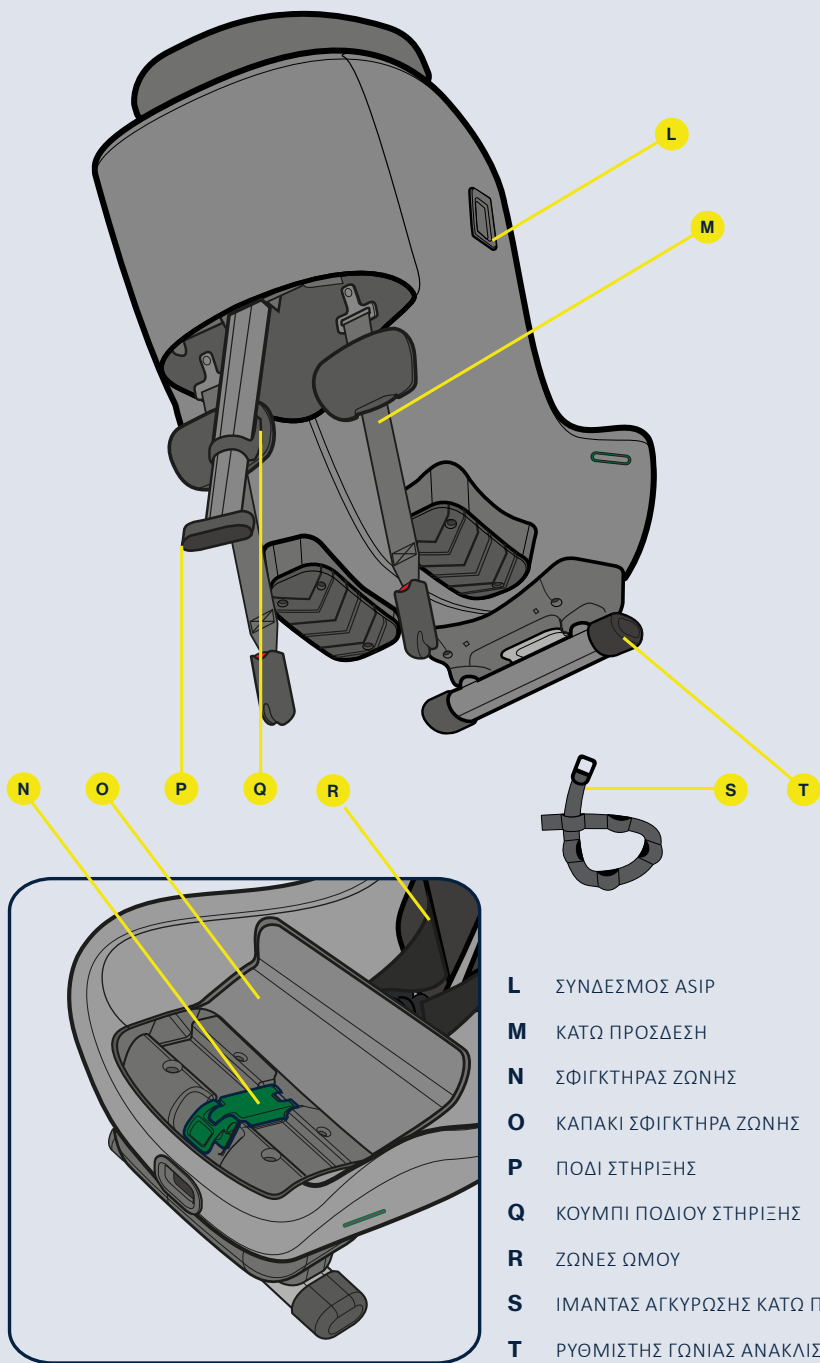
# Πίνακας περιεχομένων

Μέρη	144
Επιτρεπόμενη και μη επιτρεπόμενη τοποθέτηση του καθίσματος αυτοκινήτου AXKID MINIKID 4	146
Κάτω αγκυρώσεις πρόσδεσης	146
Τοποθέτηση ιμάντων αγκύρωσης κάτω πρόσδεσης	147
Ασφάλιση του παιδιού σας στο κάθισμα αυτοκινήτου AXKID MINIKID 4	149
Ρυθμίσεις προσκέφαλου	150
Αφαίρεση του καθίσματος αυτοκινήτου AXKID MINIKID 4 από το όχημα	150
Φροντίδα και συντήρηση	151
Εγγύηση	151

# Μέρη



- A ΠΡΟΣΚΕΦΑΛΟ
- B ΕΝΣΩΜΑΤΩΜΕΝΗ ΖΩΝΗ
- C ΚΟΥΜΠΙ ΑΠΕΛΕΥΘΕΡΩΣΗΣ ΠΟΡΠΗΣ
- D ΥΠΟΔΟΧΗ ΖΩΝΗΣ ΑΣΦΑΛΕΙΑΣ
- E ΚΟΥΜΠΙ ΑΠΕΛΕΥΘΕΡΩΣΗΣ ΖΩΝΗΣ
- F ΙΜΑΝΤΑΣ ΤΑΝΥΣΗΣ ΖΩΝΗΣ
- G ΜΟΧΛΟΣ ΡΥΘΜΙΣΗΣ ΚΛΙΣΗΣ
- H ΜΟΧΛΟΣ ΦΡΕΝΟΥ ΠΡΟΣΚΕΦΑΛΟΥ
- I ΕΠΙΘΕΜΑ ASIP
- J ΒΑΣΗ
- K ΚΑΘΕΤΗ ΓΡΑΜΜΗ

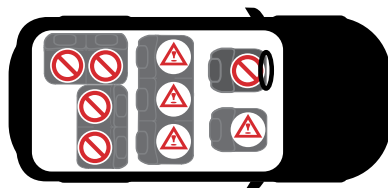




# Επιτρεπόμενη και μη επιτρεπόμενη τοποθέτηση του καθίσματος αυτοκινήτου AXKID MINIKID 4

Το κάθισμα αυτοκινήτου AXKID MINIKID 4 μπορεί να τοποθετηθεί μόνο προς τα πίσω. Θα ταιριάζει στις περισσότερες, αλλά όχι σε όλες τις θέσεις καθισμάτων. Ελέγξτε το εγχειρίδιο οδηγών του αυτοκινήτου σας για να βρείτε τις κατάλληλες θέσεις καθισμάτων και ελέγξτε τον κατάλογο αυτοκινήτων στη διεύθυνση [www.axkid.com](http://www.axkid.com)

Κάθισμα συνοδηγού (χωρίς ενεργό αερόσακο)	ΝΑΙ/ΟΧΙ*
Κάθισμα συνοδηγού (ενεργός αερόσακος)	ΟΧΙ
Κάθισμα πίσω συνοδηγού με ζώνη ασφαλείας 3 σημείων	ΝΑΙ
Κάθισμα με ζώνη ασφαλείας 2 σημείων	ΟΧΙ
Πλαϊνά και πίσω καθίσματα	ΟΧΙ



**ΣΗΜΑΝΤΙΚΟ:** Εάν θέλετε να τοποθετήσετε το κάθισμά σας AXKID MINIKID 4 σε μια θέση όπου υπάρχει μετωπικός αερόσακος, ο αερόσακος πρέπει να αποσυνδεθεί σύμφωνα με τις οδηγίες του κατασκευαστή του αυτοκινήτου σας. Λάβετε υπόψη ότι ορισμένα αυτοκίνητα απαιτούν εξουσιοδοτημένο κέντρο σέρβις για την αποσύνδεση του αερόσακου.

\* Ο Γενικός Κανονισμός Κυκλοφορίας στην Ισπανία, στο άρθρο 117, θεσπίζει την απαγόρευση της οδήγησης με παιδιά αναστήματος ίσου ή μικρότερου των 135 εκατοστών που βρίσκονται στα μπροστινά καθίσματα του αυτοκινήτου, χωρίς εξαιρέσεις.



## Κάτω αγκυρώσεις πρόσδεσης Σημαντικές πληροφορίες

Οι κάτω αγκυρώσεις πρόσδεσης (LTA) χρησιμοποιούνται για την ενίσχυση της προστασίας των παιδιών στα αυτοκίνητα παρέχοντας μια σφιχτή και σταθερή τοποθέτηση για εκτεταμένα καθίσματα αυτοκινήτου που συνδέονται με ζώνη με στραμμένη προς τα πίσω. Αυτό αυξάνει την ασφάλεια του παιδιού σας σε όλους τους τύπους των συγκρούσεων, συμπεριλαμβανομένων των ατυχημάτων ανατροπής και των συγκρούσεων από το πίσω μέρος.

Οι κάτω προσδέσεις είναι μια καθιερωμένη μέθοδος που χρησιμοποιείται εκτενώς στις Σκανδιναβικές χώρες για περισσότερα από 40 χρόνια. Το 2020 κυκλοφόρησε ένα νέο διεθνές πρότυπο για το LTA, ISO13216-4:2020. Αυτό το πρότυπο περιγράφει τις απαιτήσεις για τις κάτω προσδέσεις για καθίσματα αυτοκινήτων αλλά και για τους κατασκευαστές αυτοκινήτων και τα σημεία αγκύρωσής τους. Σκοπός είναι η βελτίωση της συμβατότητας και η διασφάλιση ενός ασφαλούς και εύκολου τρόπου τοποθέτησης για το μέλλον.

Οι κάτω προσδέσεις του AXKID MINIKID 4 συμμορφώνονται με το πρότυπο ISO13216-4:2020, διασφαλίζοντας τέλεια εφαρμογή και εύκολη τοποθέτηση σε αυτοκίνητα με προεγκατεστημένες κάτω αγκυρώσεις πρόσδεσης που συμμορφώνονται επίσης με αυτό το πρότυπο. Εάν το αυτοκίνητό σας διαθέτει σημεία αγκύρωσης που δεν συμμορφώνονται με το πρότυπο, οι κάτω προσδέσεις του AXKID MINIKID 4 πιθανόν να ταιριάζουν, αλλά αυτό δεν είναι εγγυημένο.

Οι προεγκατεστημένες κάτω αγκυρώσεις πρόσδεσης στα αυτοκίνητα βρίσκονται συχνά στις ράγες των καθισμάτων που είναι προαρτημένες στο δάπεδο, αλλά χρησιμοποιούνται και άλλες θέσεις. Ελέγξτε το εγχειρίδιο οδηγών του αυτοκινήτου σας για περισσότερες πληροφορίες σχετικά με τα χρησιμοποιήσιμα σημεία αγκύρωσης.

Εάν το αυτοκίνητό σας δεν διαθέτει κατάλληλες προεγκατεστημένες κάτω αγκυρώσεις πρόσδεσης, το AXKID MINIKID 4 διαθέτει μάντες αγκύρωσης κάτω πρόσδεσης (T) που μπορούν να τοποθετηθούν στο αυτοκίνητό σας. Δείτε αυτό το εγχειρίδιο για οδηγίες εγκατάστασης. Αυτοί οι μάντες συμμορφώνονται επίσης με το πρότυπο ISO13216-4:2020 και όταν τοποθετηθούν σωστά, προσφέρουν την ίδια ασφάλεια με τις προεγκατεστημένες αγκυρώσεις.

Ορισμένοι κατασκευαστές αυτοκινήτων προσφέρουν επίσης τη δυνατότητα εκ των υστέρων τοποθέτησης των κάτω αγκυρώσεων πρόσδεσης. Επικοινωνήστε με τον κατασκευαστή ή τον αντιπρόσωπο του αυτοκινήτου σας για περισσότερες πληροφορίες. Οι τροποποιημένες κάτω αγκυρώσεις πρόσδεσης του Axkid και οι επιπλέον μάντες αγκύρωσης κάτω πρόσδεσης μπορούν να αγοραστούν χωριστά.

**Σημείωση:** Ποτέ μην χρησιμοποιείτε το AXKID MINIKID 4 χωρίς τις κάτω προσδέσεις. Αποτελούν σημαντικό χαρακτηριστικό ασφαλείας και πρέπει πάντα να χρησιμοποιούνται κατά την εγκατάσταση του καθίσματος αυτοκινήτου σας.

# Τοποθέτηση μάντων αγκύρωσης κάτω πρόσδεσης

Εάν το αυτοκίνητό σας δεν διαθέτει κατάλληλες προεγκατεστημένες κάτω αγκυρώσεις πρόσδεσης, το AXKID MINIKID 4 διαθέτει μάντες αγκύρωσης κάτω πρόσδεσης που μπορούν να τοποθετηθούν στο αυτοκίνητό σας. Ανάλογα με το αυτοκίνητό σας και τη θέση του καθίσματος όπου επιλέγετε να εγκαταστήσετε το κάθισμα αυτοκινήτου σας, υπάρχουν διάφορα πιθανά σημεία αγκύρωσης που μπορείτε να χρησιμοποιήσετε για την τοποθέτηση των μάντων αγκύρωσης. Δείτε παρακάτω για εναλλακτικές.

Για να εγκαταστήσετε τους μάντες αγκύρωσης κάτω πρόσδεσης (T), απλώς περάστε τον μάντα γύρω από το επιλεγμένο σημείο αγκύρωσης και περάστε τη μεταλλική αγκύρωση μέσα από μία από τις υποδοχές στον ίδιο τον μάντα. Ο μάντας αγκύρωσης έχει πολλές υποδοχές που μπορούν να χρησιμοποιηθούν. Βεβαιωθείτε ότι χρησιμοποιείτε την υποδοχή που βρίσκεται όσο το δυνατόν πιο κοντά στη μεταλλική αγκύρωση, τοποθετώντας έτσι τη μεταλλική αγκύρωση όσο το δυνατόν πιο κοντά στο δάπεδο του αυτοκινήτου. Μόλις γίνει αυτό, τραβήξτε τη μεταλλική αγκύρωση για να σφίξετε τον μάντα και επαναλάβετε τη διαδικασία για τον άλλο μάντα. Χρησιμοποιείτε πάντα δύο σημεία αγκύρωσης κατά την τοποθέτηση του AXKID MINIKID 4 και επιλέγετε σημεία αγκύρωσης που είναι χωριστά, καθώς αυτό παρέχει μια πιο σταθερή τοποθέτηση.

## Επιλογές δρομολόγησης μάντα αγκύρωσης

- alt. a** Περάστε τον μάντα γύρω από την άκρη της προεγκατεστημένης αγκύρωσης (χρησιμοποιήστε αυτήν τη μέθοδο μόνο εάν οι προεγκατεστημένες αγκυρώσεις δεν ταιριάζουν απευθείας με τις κάτω προσδέσεις)
- alt. b** Τοποθετήστε τον μάντα γύρω από τη ράγα του καθίσματος μπροστά από το κάθισμα του αυτοκινήτου περνώντας τον μάντα μεταξύ της ράγας του καθίσματος και του δαπέδου του αυτοκινήτου ή μέσω της κατάλληλης οπής της ράγας του καθίσματος.
- alt. c** Τοποθετήστε τον μάντα γύρω από τον μεντεσέ του καθίσματος του αυτοκινήτου μπροστά από το κάθισμα του αυτοκινήτου περνώντας τον μάντα ανάμεσα στην πλάτη του καθίσματος του αυτοκινήτου και στο έδρανο του καθίσματος.
- alt. d** Τοποθετήστε τον μάντα γύρω από τη ράγα του καθίσματος πίσω από το κάθισμα του αυτοκινήτου περνώντας τον μάντα μεταξύ της ράγας του καθίσματος και του δαπέδου του αυτοκινήτου ή μέσω της κατάλληλης οπής της ράγας του καθίσματος.
- alt. e** Όταν τοποθετείτε το AXKID MINIKID 4 στο κάθισμα του συνοδηγού και δεν υπάρχει καμία από τις παραπάνω εναλλακτικές λύσεις, μπορείτε να συνδέσετε τους μάντες αγκύρωσης κάτω πρόσδεσης σε ένα κατάλληλο σημείο αγκύρωσης στο πίσω μέρος του αυτοκινήτου και να περάσετε τους μάντες κάτω από το κάθισμα του αυτοκινήτου, προς το μπροστινό μέρος του αυτοκινήτου. Βεβαιωθείτε ότι οι μάντες αγκύρωσης εξέρχονται από το μπροστινό μέρος του καθίσματος και όχι από τα πλάγια.

**Σημείωση:** Πάντα να βεβαιώνετε ότι η αλλαγή της θέσης οποιουδήποτε καθίσματος του αυτοκινήτου δεν παρεμποδίζει ή δεν προκαλεί ζημιά στους εγκατεστημένους μάντες αγκύρωσης κάτω πρόσδεσης

**Σημείωση:** Μην χρησιμοποιείτε ποτέ αχμηρά αντικείμενα για να βοηθήσετε στη δρομολόγηση των μάντων, καθώς μπορεί να προκληθεί ζημιά στον μάντα.



# Εγκατάσταση του καθίσματος αυτοκινήτου ΑΧΚΙΔ ΜΙΝΙΚΙΔ 4 στο όχημα

Πριν την εγκατάσταση του ΑΧΚΙΔ ΜΙΝΙΚΙΔ 4, βεβαιωθείτε ότι το αυτοκίνητό σας είναι εξοπλισμένο με κάτω αγκυρώσεις πρόσδεσης. Δείτε την ενότητα σχετικά με τις κάτω αγκυρώσεις πρόσδεσης σε αυτό το εγχειρίδιο για περισσότερες πληροφορίες και οδηγίες εγκατάστασης.

**1** Ανοίξτε το φερμουάρ και ανοίξτε το καπάκι του σφικτήρα της ζώνης (Ο)

**2** Τοποθετήστε το ΑΧΚΙΔ ΜΙΝΙΚΙΔ 4 στο κάθισμα του αυτοκινήτου με το πίσω μέρος του καθίσματος αυτοκινήτου στραμμένο προς το μπροστινό μέρος του αυτοκινήτου. Προσαρμόστε τον χώρο για τα πόδια του παιδιού σας μετακινώντας απλά το κάθισμα αυτοκινήτου μπρος-πίσω στο κάθισμα του αυτοκινήτου. Το ΑΧΚΙΔ ΜΙΝΙΚΙΔ 4 μπορεί να τοποθετηθεί σφίχτα στην πλάτη του καθίσματος του αυτοκινήτου, αλλά δεν επιτρέπεται ποτέ να τοποθετηθεί με τη βάση (Κ) να κρέμεται πάνω από την άκρη του καθίσματος του αυτοκινήτου. Βεβαιωθείτε ότι η κάθετη γραμμή (Λ) στη βάση (Κ) δεν διασχίζει ποτέ την άκρη του καθίσματος του αυτοκινήτου.

Ρυθμίστε τη γωνία του καθίσματος αυτοκινήτου πατώντας το μοχλό ρύθμισης κλίσης (Η) και επιλέξτε μια κατάλληλη θέση κλίσης. Για μέγιστη ασφάλεια, επιλέξτε μια θέση όσο το δυνατόν πιο όρθια, διασφαλίζοντας επίσης ότι το κεφάλι του παιδιού σας δεν πέφτει μπροστά όταν κοιμάται. Τόσο για λόγους άνεσης όσο και για λόγους ασφαλείας, η γωνία κλίσης πρέπει να ρυθμίζεται σε πιο όρθια θέση καθώς το παιδί σας μεγαλώνει. Σημειώστε ότι όταν τεντώνετε τις κάτω προσδέσεις (Ν), το κάθισμα αυτοκινήτου θα είναι ελαφρώς πιο κεκλιμένο καθώς βυθίζεται στο έδρανο του καθίσματος του αυτοκινήτου. Κατά την εγκατάσταση του ΑΧΚΙΔ ΜΙΝΙΚΙΔ 4 στο κάθισμα του συνοδηγού, είναι δυνατό, αλλά όχι απαραίτητο, το πίσω μέρος του καθίσματος αυτοκινήτου να έρχεται σε επαφή με το ταμπλό.

**3** Ανοίξτε τον σφικτήρα ζώνης (Ξ). Τραβήξτε προς τα έξω τη ζώνη ασφαλείας του αυτοκινήτου κατά ένα μήκος του βραχίονα και, περάστε την μέσα από την υποδοχή ζώνης ασφαλείας (Δ) που βρίσκεται πιο κοντά σας. Περάστε τη ζώνη μέσα από τον σφικτήρα της ζώνης (Ξ) και περάστε την μέσα από την υποδοχή της ζώνης ασφαλείας (Δ) στην αντίθετη πλευρά. Συνδέστε τη ζώνη ασφαλείας του αυτοκινήτου με την πόρπη της ζώνης ασφαλείας και τραβήξτε δυνατά το μέρος του ώμου της ζώνης ασφαλείας του αυτοκινήτου για να την τεντώσετε και για να στερεώσετε το κάθισμα αυτοκινήτου, όσο πιο δυνατά τραβάτε τόσο πιο σταθερή είναι η εγκατάσταση. Όταν το κάθισμα αυτοκινήτου είναι καλά δεμένο, κλείστε τον σφικτήρα της ζώνης (Ξ) και ασφαλίστε τη ζώνη ασφαλείας του αυτοκινήτου στη θέση της. Βεβαιωθείτε ότι τόσο η ζώνη ώμου όσο και η ζώνη μέσης είναι ασφαλισμένες μαζί στον σφικτήρα της ζώνης (Ξ). Κλείστε το καπάκι του σφικτήρα της ζώνης (Ο) και κλείστε το φερμουάρ. Για να επιτύχετε μια ακόμα πιο σφίχτη και σταθερή εγκατάσταση, πιέστε προς τα κάτω το κάθισμα αυτοκινήτου ενώ τραβάτε τη ζώνη ώμου.

**4** Τραβήξτε προς τα έξω τις κάτω αγκυρώσεις πρόσδεσης (Ν) από το κάθισμα αυτοκινήτου και συνδέστε τις στις κάτω αγκυρώσεις πρόσδεσης στο αυτοκίνητό σας, δείτε την ενότητα σχετικά με τις κάτω αγκυρώσεις πρόσδεσης σε αυτό το εγχειρίδιο για περισσότερες πληροφορίες. Πιέστε προς τα κάτω το επάνω μέρος του καθίσματος αυτοκινήτου και κουνήστε το κάθισμα αυτοκινήτου από τη μία πλευρά στην άλλη και οι αυτο-εντεινόμενες κάτω προσδέσεις (Ν) του ΑΧΚΙΔ ΜΙΝΙΚΙΔ 4 θα τεντωθούν αυτόματα. Τεντώνοντας τις κάτω προσδέσεις (Ν) ρυθμίζετε επίσης την τελική γωνία ανάκλισης του καθίσματος αυτοκινήτου. Συνεχίστε να πιέζετε το κάθισμα αυτοκινήτου μέχρι να στερεωθεί καλά και να έχετε πετύχει μια κατάλληλη γωνία ανάκλισης. Βεβαιωθείτε ότι η λευκή σήμανση στον κάτω μίαντα πρόσδεσης είναι ορατή. Εάν όχι, οι κάτω αγκυρώσεις πρόσδεσης είναι πολύ κοντά στο κάθισμα του αυτοκινήτου και πρέπει να ρυθμιστούν. Εάν αυτό δεν είναι δυνατό, μπορείτε επίσης να περάσετε τις κάτω προσδέσεις πίσω από το κάθισμα για να επιτύχετε λίγο μεγαλύτερη απόσταση.

**5** Τραβήξτε προς τα έξω το πόδι στήριξης (Π) από το κάθισμα αυτοκινήτου. Πιέστε το κουμπί του ποδιού στήριξης (Ρ) και τραβήξτε το πόδι στήριξης (Π) προς τα κάτω μέχρι να έρθει σε επαφή με το δάπεδο του αυτοκινήτου. Αφήστε το κουμπί του ποδιού στήριξης (Ρ) και σηκώστε το κάθισμα αυτοκινήτου προς τα πάνω για να επεκτείνετε περαιτέρω το πόδι στήριξης (Π) μέχρι να ακούσετε ένα κλικ. Το πόδι στήριξης (Π) πρέπει τώρα να έχει ασφαλίσει και να πιέζεται σταθερά στο δάπεδο του αυτοκινήτου. Βεβαιωθείτε ότι το πόδι στήριξης (Π) βρίσκεται σε γωνία περίπου 10° προς το μπροστινό μέρος του αυτοκινήτου. Ελέγξτε ξανά τη ζώνη ασφαλείας του αυτοκινήτου για να βεβαιωθείτε ότι είναι ακόμα σφίχτα τεντωμένη και ότι δεν έχει εμφανιστεί χαλάρωση στη ζώνη μέσης ενώ τεντώνετε τις κάτω προσδέσεις και το πόδι στήριξης. Εάν η ζώνη του αυτοκινήτου έχει χαλαρώσει, απλά τεντώστε την ξανά επαναλαμβάνοντας το βήμα 2 αυτού του οδηγού χωρίς να αποσυνδέσετε τις κάτω προσδέσεις.

**6** Πιέστε το μαξιλαράκι ΑΣΙΡ (Ι) στις υποδοχές του συνδέσμου ΑΣΙΡ (Μ) και σύρετε προς τα κάτω, το μαξιλαράκι ΑΣΙΡ (Ι) θα κουνιπώσει στη θέση του. Εάν υπάρχει ένα πλαστικό κάλυμμα στον σύνδεσμο ΑΣΙΡ (Μ), αφαιρέστε το και τοποθετήστε το στον σύνδεσμο ΑΣΙΡ (Μ) στην αντίθετη πλευρά του καθίσματος πριν τοποθετήσετε το μαξιλαράκι ΑΣΙΡ (Ι). Βεβαιωθείτε ότι το μαξιλαράκι ΑΣΙΡ (Ι) είναι στερεωμένο στην πλευρά του καθίσματος αυτοκινήτου ΑΧΚΙΔ ΜΙΝΙΚΙΔ 4 που είναι πιο κοντά στην πόρτα του αυτοκινήτου.





# Ασφάλιση του παιδιού σας στο κάθισμα αυτοκινήτου AXKID MINIKID 4

Πριν συγκρατήσετε το παιδί σας στο κάθισμα αυτοκινήτου AXKID MINIKID 4, βεβαιωθείτε ότι έχετε τοποθετήσει το σωστό ένθετο στο κάθισμα. Το AXKID MINIKID 4 έχει σχεδιαστεί για να μεγαλώνει με το παιδί σας και να εξασφαλίζει άνετη και ασφαλή εφαρμογή για τα παιδιά. Η Axkid συνιστά να χρησιμοποιείτε το ένθετο μέχρι να είναι πολύ σφιχτό για το παιδί σας, αλλά σε ελάχιστο μήκος σύμφωνα με τον παρακάτω πίνακα (σημειώστε ότι η ηλικία είναι απλώς ενδεικτική):

Ηλικία	Ύψος	
Νήπιο 0-3 ετών	61 – 105 cm	
Παιδί 3-7 ετών	106 – 125 cm	

Το AXKID MINIKID 4 είναι εξοπλισμένο με ένα αυτόματο προσκέφαλο (Α) που θα χαμηλώσει στη σωστή θέση όταν σφίγγεται η ζώνη. Για να εξασφαλίσετε την καλύτερη εφαρμογή, η Axkid συνιστά να χρησιμοποιείτε αυτήν τη λειτουργία κάθε φορά που συγκρατείτε το παιδί σας. Προτού βάλετε το παιδί σας στο κάθισμα αυτοκινήτου, βεβαιωθείτε ότι το αυτόματο προσκέφαλο (Α) βρίσκεται στη θέση απασφάλισης. Δείτε την ενότητα ρύθμιση προσκέφαλο (Α), για περισσότερες πληροφορίες.

7

Βεβαιωθείτε ότι ο μοχλός φρένου του προσκέφαλο (Θ) έχει ρυθμιστεί στη θέση απασφάλισης. Εάν βρίσκεται στη θέση ασφάλισης, πιέστε τον μοχλό στη θέση απασφάλισης.

8

Χαλαρώστε τη ζώνη πατώντας το κουμπί απελευθέρωσης της ζώνης (Ε) και τραβήξτε ταυτόχρονα και τους δύο μιάνες ώμου (Σ). Αποφύγετε να τραβάτε μόνο έναν μιάνα κάθε φορά γιατί μπορεί να γίνει ανομοιόμορφη η ζώνη ώμου (Σ). Βεβαιωθείτε ότι το προσκέφαλο (Α) είναι πιεσμένο στην επάνω θέση.

9

Απασφαλίστε την πόρπη της ζώνης πατώντας το κουμπί απελευθέρωσης της πόρπης (Γ) και περάστε τους μιάνες εξωτερικά του καθίσματος.

10

Τοποθετήστε το παιδί σας στο κάθισμα και τοποθετήστε τις ζώνες ώμου (Σ) πάνω από τον ώμο του παιδιού σας. Κλειδώστε τη ζώνη τοποθετώντας πρώτα τα μέρη της πόρπης που είναι στερεωμένα στις ζώνες ώμου (Σ) μαζί και στη συνέχεια σπρώξτε τες μέσα στην πόρπη μέχρι να ακούσετε ένα κλικ.

11

Τραβήξτε τους μιάνες ώμου (Σ) για να σφίξετε τη ζώνη πάνω από τους γοφούς του παιδιού σας. Ενώ διατηρείτε την τάνυση στους μιάνες ώμου (Σ), τραβήξτε τον μιάνα τάνυσης της ζώνης (ΣΤ) κατευθείαν από το κάθισμα αυτοκινήτου μέχρι να σφίξει αρκετά η ζώνη, δεν θα πρέπει να μπορείτε να χωρέσετε περισσότερα από ένα δάχτυλα ανάμεσα στους μιάνες ώμου (Σ) και τους ώμους του παιδιού σας. Ενώ τεντώνετε τη ζώνη, το προσκέφαλο (Α) θα μετακινηθεί αυτόματα προς τα κάτω στη σωστή θέση για το παιδί σας.



## Ρύθμιση προσκέφαλου

Το AXKID MINIKID 4 είναι εξοπλισμένο με αυτόματο προσκέφαλο (Α) εξασφαλίζοντας ότι το προσκέφαλο (Α) είναι πάντα στην καλύτερη θέση για το παιδί σας. Όταν σφίγγεται η ζώνη, το προσκέφαλο (Α) θα χαμηλώσει στο σωστό ύψος και θα ασφαλίσει αυτόματα στη θέση του. Όταν χαλαρώνετε τη ζώνη, το προσκέφαλο (Α) θα μετακινηθεί ξανά στην επάνω θέση του και θα απασφαλίσει. Για να εξασφαλίσετε την καλύτερη εφαρμογή, η Axkid συνιστά να χρησιμοποιείτε αυτήν τη λειτουργία κάθε φορά που συγκρατείτε το παιδί σας.

Το προσκέφαλο (Α) απασφαλίζει μόνο στην επάνω θέση του. Επομένως, είναι σημαντικό να βεβαιωθείτε ότι το προσκέφαλο (Α) μετακινείται μέχρι την επάνω θέση όταν χαλαρώνετε τη ζώνη, διαφορετικά το προσκέφαλο (Α) θα παραμείνει ασφαλισμένο και δεν θα μετακινηθεί προς τα κάτω όταν τεντώνετε τη ζώνη.

Εάν θέλετε να απενεργοποιήσετε τη λειτουργία αυτόματης ρύθμισης και να διατηρήσετε το προσκέφαλο (Α) σε σταθερή θέση, τοποθετήστε το προσκέφαλο (Α) στην επιθυμητή θέση και αλλάξτε τη θέση του μοχλού φρένου του προσκέφαλου (Θ) στη θέση ασφάλισης. Το προσκέφαλο (Α) είναι πλέον ασφαλισμένο καθ' ύψος και δεν θα μετακινηθεί έως ότου επαναφέρετε τον μοχλό φρένου του προσκέφαλου (Θ) στη θέση απασφάλισης.

Όταν χρησιμοποιείτε το AXKID MINIKID 4 με το προσκέφαλο (Α) σε σταθερή θέση, βεβαιωθείτε ότι το προσκέφαλο (Α) είναι τοποθετημένο στο σωστό ύψος για το παιδί σας. Βεβαιωθείτε ότι οι μάντες ώμου (Σ) περνούν από το κάθισμα κατευθείαν από τους ώμους του παιδιού σας ή το πολύ 1 cm πιο ψηλά. Εάν όχι, ρυθμίστε το προσκέφαλο (Α) αλλάζοντας τη θέση του μοχλού φρένου του προσκέφαλου (Θ) στη θέση απασφάλισης και σπρώξτε το προσκέφαλο (Α) στην επάνω θέση για να το απασφαλίσετε και, στη συνέχεια, επαναλάβετε τη διαδικασία.



## Αφαίρεση του καθίσματος αυτοκινήτου AXKID MINIKID 4 από το αυτοκίνητό σας

- Ανοίξτε το φερμουάρ και ανοίξτε το καπάκι του σφικτήρα της ζώνης (Ο). Απασφαλίστε τη ζώνη ασφαλείας του αυτοκινήτου πατώντας το κόκκινο κουμπί στην πόρπη της ζώνης ασφαλείας. Ανοίξτε τον σφικτήρα ζώνης (Ξ) και τραβήξτε τη ζώνη ασφαλείας του αυτοκινήτου και περάστε την μέσα από τις υποδοχές ζώνης ασφαλείας (Δ) για να την αφαιρέσετε από το κάθισμα αυτοκινήτου.
- Απασφαλίστε τις κάτω προσδέσεις (Ν) κρατώντας τους συνδέσμους με το χέρι σας και πατώντας το κόκκινο κουμπί με τον αντίχειρά σας. Ενώ κρατάτε τον σύνδεσμο στο χέρι σας, τοποθετήστε τον αργά πίσω στο κάθισμα του αυτοκινήτου. Προσέξτε να μην αφήσετε τον σύνδεσμο της κάτω πρόσδεσης, καθώς θα μαζεψει αυτόματα με υψηλή ταχύτητα.
- Πιέστε το κουμπί του ποδιού στήριξης (Π) και αναδιπλώστε το πόδι στήριξης (Π) στην κοντύτερη θέση του.
- Πιέστε τον μοχλό ρύθμισης κλίσης (Η) και πιέστε τον ρυθμιστή γωνίας ανάκλισης (Υ) στη συντομότερη θέση του. Σηκώστε το AXKID MINIKID 4 έξω από το αυτοκίνητο.

**Υπόδειξη:** Ασφαλίστε την πόρπη της ζώνης και τεντώστε την ζώνη πριν αφαιρέσετε το κάθισμα αυτοκινήτου από το αυτοκίνητο. Στη συνέχεια, μπορείτε να χρησιμοποιήσετε τους μάντες ώμου (Σ) ως λαβή μεταφοράς, διευκολύνοντας την ανύψωση του καθίσματος αυτοκινήτου και τη μεταφορά του έξω από το αυτοκίνητο.

**Σημαντικό:** Ποτέ μην μεταφέρετε το κάθισμα κρατώντας το από το προσκέφαλο (Α)

## Φροντίδα και συντήρηση

Το υφασμάτινο κάλυμμα καθίσματος μπορεί να πλυθεί στο πλυντήριο στους 30°C στο πρόγραμμα για ευαίσθητα ρούχα. Μην τοποθετείτε το κάλυμμα σε στεγνωτήριο, καθώς μπορεί να προκληθεί φθορά στο κάλυμμα και η επένδυση να ξεκολλήσει από το ύφασμα. Ανατρέξτε στη διεύθυνση [www.axkid.com](http://www.axkid.com) για βίντεο που επεξηγούν την αφαίρεση και την τοποθέτηση του καλύμματος.

### Αφαιρέστε το υφασμάτινο κάλυμμα:

- Αφαιρέστε το μαξιλαράκι ASIP (I) εάν είναι προσαρτημένο.
- Ρυθμίστε τον μοχλό φρένου του αυτόματου προσκέφαλου (Θ) στη θέση απασφάλισης και χαλαρώστε την ζώνη πατώντας το κουμπί απελευθέρωσης της ζώνης (Ε) και τραβήξτε ταυτόχρονα προς τα έξω και τους δύο μάντες ώμου (Σ).
- Ανοίξτε τα δύο φερμουάρ στην κάτω πλευρά του προσκέφαλου (Α) και τραβήξτε προσεκτικά το κάλυμμα από το προσκέφαλο (Α).
- Κατεβάστε το προσκέφαλο (Α) στη χαμηλότερη θέση και αλλάξτε τη θέση του μοχλού φρένου του αυτόματου προσκέφαλου (Θ) στη θέση ασφάλισης.
- Απασφαλίστε την πόρπη της ζώνης πατώντας το κουμπί απελευθέρωσης της πόρπης (Γ) και αφαιρέστε το κάλυμμα της πόρπης.
- Ανοίξτε τα φερμουάρ και ανοίξτε το καπάκι του σφικτήρα ζώνης (Ο) και αφαιρέστε το πλαστικό καπάκι (Ο) από το υφασμάτινο κάλυμμα.
- Ανοίξτε το φερμουάρ κάτω από το κάθισμα αυτοκινήτου και ανοίξτε τα 4 κουμπιά στο υφασμάτινο κάλυμμα στην πίσω πλευρά του καθίσματος αυτοκινήτου.
- Ανοίξτε τα δύο φερμουάρ στην πλάτη στο εσωτερικό του καθίσματος αυτοκινήτου και αφαιρέστε απαλά το υφασμάτινο κάλυμμα από το κάθισμα αυτοκινήτου. Προσέξτε γύρω από το μαξιλαράκι ASIP και άλλα πλαστικά καλύμματα για να μην προκαλέσετε ζημιά στο ύφασμα, μην το τραβήξετε δυνατά.
- Ανοίξτε τα μαξιλαράκια ώμων και αφαιρέστε τα απαλά από το Velcro.

### Τοποθετήστε το υφασμάτινο κάλυμμα

- Αντιστρέψτε τα βήματα από την παραπάνω οδηγία για να τοποθετήσετε ξανά το υφασμάτινο κάλυμμα στο κάθισμα αυτοκινήτου.
- Σημειώστε ότι τα μαξιλαράκια ώμου μπορούν να τοποθετηθούν σε διαφορετικές θέσεις. Τοποθετήστε τα σε μια θέση κατάλληλη για το παιδί σας, τα μαξιλαράκια ώμου πρέπει να τοποθετούνται πάνω από τον ώμο και στο στήθος του παιδιού σας. Βεβαιωθείτε επίσης ότι η λαστιχένια πλευρά του μαξιλαριού ώμου είναι στραμμένη προς το στήθος του παιδιού σας.

Εάν το κάλυμμα του καθίσματος χρειάζεται αντικατάσταση, βεβαιωθείτε ότι χρησιμοποιούνται μόνο τα αυθεντικά προϊόντα της Axkid. Εάν χρησιμοποιούνται άλλα προϊόντα, το σύστημα ασφαλείας καθίσματος αυτοκινήτου AXKID MINIKID 4 μπορεί να επηρεαστεί και ενδέχεται να προκληθεί σοβαρός τραυματισμός σε περίπτωση ατυχήματος. Οποιαδήποτε πλαστικά μέρη του καθίσματος αυτοκινήτου AXKID MINIKID 4 μπορούν να καθαριστούν με ήπιο απορρυπαντικό και νερό. Μην χρησιμοποιείτε ισχυρές χημικές ουσίες που περιέχουν διαλύτες κ.λπ., καθώς μπορεί να προκληθεί ζημιά στο πλαστικό και να επηρεάσει την ασφάλεια του καθίσματος αυτοκινήτου.

## Εγγύηση

Το κάθισμα αυτοκινήτου AXKID MINIKID 4 καλύπτεται με εγγύηση 24 μηνών από την ημερομηνία αγοράς. Βεβαιωθείτε ότι έχετε φυλάξει την απόδειξη και ότι την προσκομίζετε στο σημείο αγοράς, εάν αντιμετωπίζετε προβλήματα εγγύησης.

- Φυσιολογικές φθορές
- Ζημιές λόγω εσφαλμένης χρήσης, αμέλειας ή ατυχήματος
- Περιπτώσεις όπου έχουν πραγματοποιηθεί επισκευές από τρίτους
- Όλα τα υλικά που χρησιμοποιούνται έχουν πολύ υψηλή βαθμολογία αντοχής στην υπεριώδη ακτινοβολία. Ωστόσο, το υπεριώδες φως είναι πολύ επιθετικό και εν τέλει θα οδηγήσει σε ξεθώριασμα του καλύμματος του καθίσματος. Αυτό δεν καλύπτεται από την εγγύησή μας, καθώς θεωρείται φυσιολογική φθορά.
- Χειριστείτε το κάθισμα με προσοχή. Μην μεταφέρετε ποτέ το κάθισμα κρατώντας το από το προσκέφαλο (Α).

# Kærar þakkir fyrir að velja AXKID MINIKID 4

Lestu þessar leiðbeiningar áður en þú setur AXKID MINIKID 4 bílstólinn í bílinn. Nánari upplýsingar og ísetningarmyndbönd er að finna á [www.axkid.com](http://www.axkid.com).

**AXKID MINIKID 4** er afturvísandi bílstóll samþykktur fyrir börn með hæð á milli 61-125 cm, ≤36 kg

AXKID MINIKID 4 er hentugur til notkunar frá um það bil sex mánaða aldri, eða frá því að barnið þitt getur setið upp óstutt. Þetta er heildstætt sértækt kerfi fyrir festingu barna á ökutæki (Specific vehicle Belted Enhanced Child Restraint System.) Það er samþykkt í samræmi við reglugerð Sameinuðu þjóðanna nr. 129, til notkunar í samhæfanlegum sætum ökutækis eins og tilgreint er í ökutækjalistanum. Ef þú ert í vafa skaltu hafa samband við framleiðanda barnastólsins ([www.axkid.com](http://www.axkid.com)) eða söluaðilann.

## Mikilvægar upplýsingar

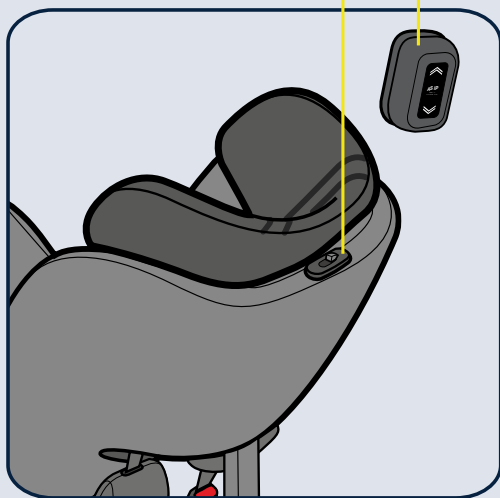
Til að hámarka öryggi barnsins þins er mikilvægt að þú hafir eftirfarandi í huga:

- Fylgið ávallt leiðbeiningunum í þessari handbók. Röng uppsetning getur haft alvarleg áhrif á öryggi barnsins þins. Hafðu samband við söluaðilann ef vafaatriði koma upp. Hann getur leiðbeint þér varðandi rétta uppsetningu.
- Geymið þessa handbók til síðari nota. Ef handbók týnist geturðu fundið hana á netinu á [www.axkid.com](http://www.axkid.com)
- Notaðu ekki AXKID MINIKID 4 bílstól í sæti þar sem virkur loftþúði er fyrir framan það. Ef þú vilt samt sem áður setja upp AXKID MINIKID 4 bílstól í slíka sætisstöðu verður að slökkva á loftþúðunum í samræmi við leiðbeiningar framleiðanda ökutækisins.
- Ef slyshéfur orðið, sama hversu lítið, skal ávallt skipta um bílstólinn. Hann gæti hafa orðið fyrir skemmdum sem eru ekki sjáanlegar og gætu haft alvarleg áhrif á öryggi barnsins þins. Af þessum ástæðum mælir Axkid ekki með því að kaupa notaða bílstóla.
- Ef AXKID MINIKID 4 bílstóll hefur verið í beinu sólarljósi skaltu ganga úr skugga um að bílstóllinn sé ekki of heitur áður en barnið er sett í hann.
- Skildu barnið þitt aldrei eftir í bílnum án eftirlits.
- Gakktu úr skugga um að allur farangur eða lausir hlutir séu tryggilega festir í ökutækinu þar sem þeir geta valdið meiðslum á farþegum ef árekstur verður.
- Gakktu úr skugga um að AXKID MINIKID 4 bílstóllinn sé settur upp þannig að engir hlutar hans festist í hreyfanlegum sætum, bílhurðum o.s.frv.
- Ef þú notar neðri ólarfestingar skaltu ganga úr skugga um að þær séu settar upp þannig að þær séu ekki fyrir hreyfingu ökutækissæta.
- AXKID MINIKID 4 bílstól má aðeins setja upp bakvísandi.
- Gakktu úr skugga um að beltið sé stillt þannig að það passi rétt við líkama barnsins. Beltið er stillt með því að hreyfa höfuðþúðann.
- Gakktu úr skugga um að bak barnsins sé þétt að bílstólnum þegar þú festir barnið þitt með beltinu.
- Gakktu úr skugga um að beltið sé þétt að barninu og að sylgjan sé alveg læst. Þú ættir ekki að geta kliptið í ólamar.
- Gakktu úr skugga um að beltið sé ekki snúið.
- Gakktu ávallt úr skugga um að stuðningsfóturinn sé í réttir stöðu og nemi við gólf ökutækisins. Stuðningsfóturinn er mjög mikilvægur öryggisbúnaður sem er hannaður til að hámarka öryggi barnsins þins í slysi.
- Reyndu ekki að taka í sundur eða breyta neinum hluta AXKID MINIKID 4 bílstólsins. Ábyrgð og öryggisframmistaða Axkid bílstóla gæti orðið fyrir áhrifum af því.
- Notaðu aldrei AXKID MINIKID 4 bílstól án áklæðisins. Stólsáklæðið er öryggisbúnaður og má aðeins skipta því út með upprunalegu Axkid stólsáklæði.
- Lestu ökutækjahandbókina og ökutækjalistan á [www.axkid.com](http://www.axkid.com) til að finna hvaða sætisstöður henta þessum bílstól
- Axkid mælir með því að nota alltaf sætishlíf til að vernda bílsætin fyrir rispum og óhreindum.
- Ef þú ert í vafa skaltu hafa samband við söluaðilann þar sem bílstóllinn var keyptur eða hafa samband við [info@axkid.com](mailto:info@axkid.com)

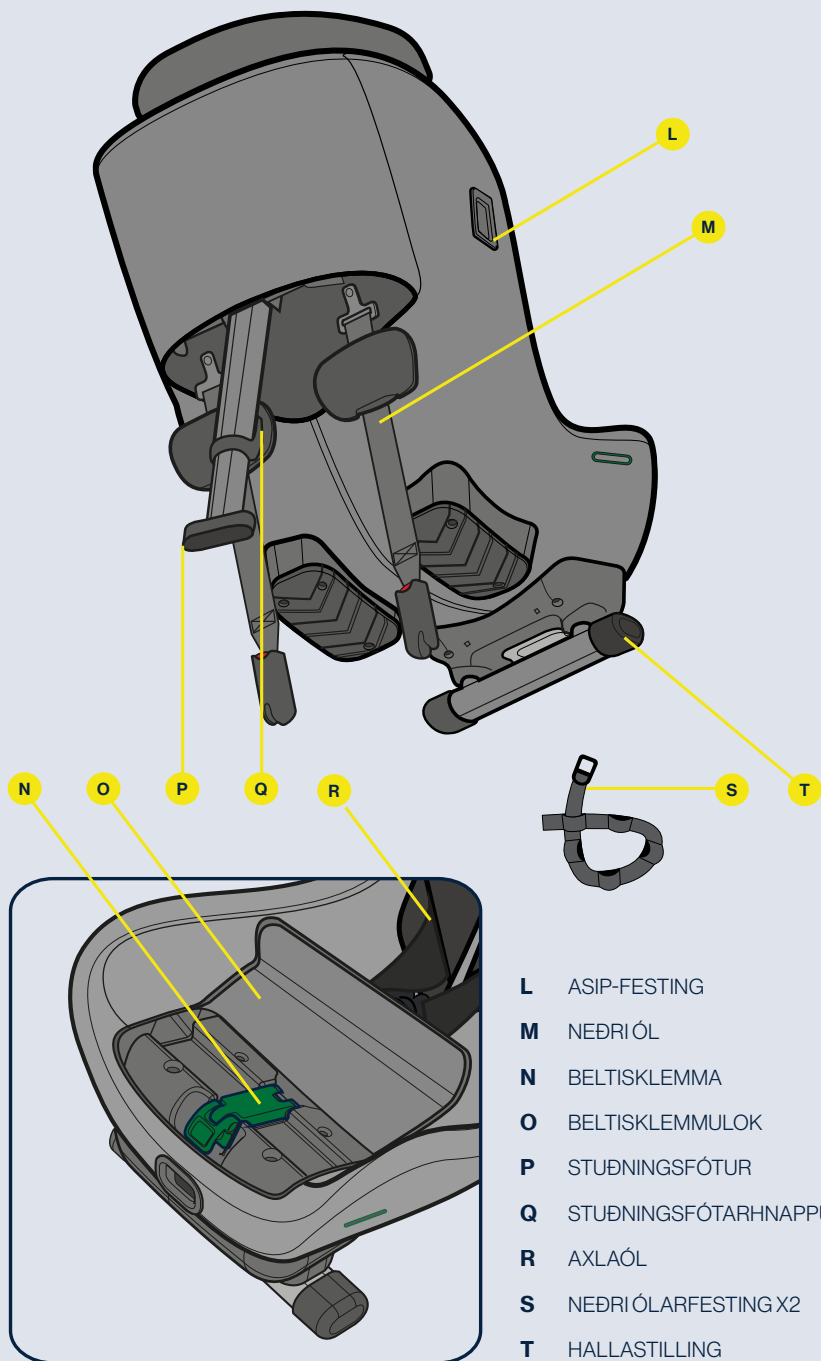
# Efnisyfirlit

Íhlutir	154
Heimil og óheimil staðsetning AXKID MINIKID 4 bílstóls	156
Neðri ólarfestingar	156
Uppsetning neðri ólarfestinga	157
Að festa barnið þitt í AXKID MINIKID 4 bílstól	159
Stilling höfuðpúða	160
Úrtekning AXKID MINIKID 4 bílstóls úr ökutækinu	160
Umhirða og viðhald	161
Ábyrgð	161

# Íhlutir



- A HÖFUÐPÚÐI
- B INNBYGGT BELTI
- C LOSUNARHNAPPUR FYRIR SYLGJU
- D BÍLBELTISRAUF
- E BELTISLOSUNARHNAPPUR
- F SPENNUÓL BELTIS
- G HANDFANG FYRIR HALLASTILLINGU
- H BREMSUHANDFANG FYRIR HÖFUÐPÚÐA
- I ASIP-PÚÐI
- J HÆLL
- K LÓÐRÉTT STRIK

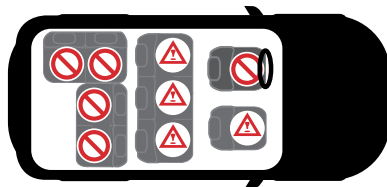




# Heimil og óheimil staðsetning AXKID MINIKID 4 bílstóls

AXKID MINIKID 4 bístól er aðeins hægt að setja upp bakvísandi. Það passar í flestar, en ekki allar sætisstöður. Skoðuðu leiðbeiningarhandbók ökutækisins til að finna viðeigandi sætisstöðu og athugaðu ökutækjalistann á [www.axkid.com](http://www.axkid.com)

Framsæti farþega (óvirkur loftpúði)	JÁ/NEI*
Framsæti farþega (virkur loftpúði)	NEI
Farþegasæti að aftan með 3ja punkta bilbælti	JÁ
Sæti með 2ja punkta bilbælti	NEI
Hliðar- og bakvísandi sæti	NEI



**MIKILVÆGT:** Ef þú vilt setja upp AXKID MINIKID 4 bístólinn á stað þar sem loftpúði er fyrir framan, verður að aftengja loftpúðann samkvæmt leiðbeiningum frá framleiðanda ökutækisins. Athugið að sum ökutæki þurfa viðurkennda þjónustumiðstöð til að aftengja loftpúðann.

\* Almenn umferðarreglugerð á Spáni, í grein 117, kveður á um bann við akstri með börn sem eru 135 sentimetrar að hæð eða minna í framsætum ökutækis, án undantekninga.



## Neðri ólarfestingar Mikilvægar upplýsingar

Neðri ólarfestingar (LTA) eru notaðar til að auka vernd barna í bílum með því að veita trausta og stöðuga uppsetningu fyrir framlangda afturvísandi, beltafasta bílstóla. Þetta eykur öryggi barnsins í öllum tegundum áreksstra, þar með talið veltum og aftanákeysrlum.

Neðri ólar eru vel þekkt aðferð sem hefur verið mikið notuð á Norðurlöndunum í yfir 40 ár. Árið 2020 var gefinn út nýr alþjóðlegur staðall fyrir LTA, ISO13216-4:2020. Þessi staðall lýsir kröfum um neðri ólar fyrir bílstóla en einnig fyrir bílaframleiðendur og festipunkta þeirra. Tilgangurinn er að bæta samhæfni og tryggja örugga og auðveldu uppsetningu til framtíðar.

AXKID MINIKID 4 neðri ólar eru í samræmi við ISO13216-4:2020, sem tryggir að stóllinn passi fullkomlega og auðveldar uppsetningu í ökutækjum með foruppsettum neðri ólarfestingum sem eru einnig í samræmi við þennan staðal. Ef ökutækið þitt er með festipunkta sem eru ekki í samræmi við staðalinn, er samt líklegt, en ekki öruggt, að neðri ólar AXKID MINIKID 4 passi.

Foruppsettar neðri ólarfestingar í ökutækjum eru oft á sætissleðunum sem festir eru við gólfíð, en aðrar stöður eru einnig notaðar. Skoðuðu handbók ökutækisins til að fá frekari upplýsingar um nothæfa festipunkta.

Ef ökutækið þitt hefur engar foruppsettar neðri ólarfestingar, þá fylgja AXKID MINIKID 4 viðbótar neðri ólarfestingar (S) sem hægt er að setja í ökutækið þitt. Sjá þessa handbók fyrir leiðbeiningar um uppsetningu. Þessar ólar eru einnig í samræmi við ISO13216-4:2020 og þegar þær eru settar upp á réttan hátt bjóða þær upp á sama öryggi og foruppsettar festingar.

Sumir bílaframleiðendur bjóða einnig upp á möguleika á að setja neðri ólarfestingar í eftir á. Hafðu samband við framleiðanda ökutækisins eða söluáðila til að fá frekari upplýsingar. Axkid neðri ólarfestingar sem settar eru í eftir á og auka neðri ólarfestingar er hægt að kaupa sérstaklega.

**Athugið:** Notaðu aldrei AXKID MINIKID 4 án neðri ólanna. Þær eru mikilvægar öryggisbúnaður og skal ávallt nota þegar bílstóllinn er settur upp.



# Uppsetning neðri ólarfestinga

Ef ökutækid þitt er ekki með viðeigandi foruppsettar neðri ólarfestingar, þá kemur AXKID MINIKID 4 með neðri ólarfestingum sem hægt er að setja í ökutækid þitt. Það fer eftir ökutækinu þínu og sætissstöðunni þar sem þú velur að setja bílstólinn þinn upp. Það eru ýmsir mögulegir festipunktar til að nota til við uppsetningu festiólanna. Sjá valkosti hér að neðan.

Til að setja neðri ólarfestingarnar (S), þræddu einfaldlega ólina í kringum valinn festipunkt og þræddu málmfestinguna í gegnum eina af raufunum á ólinni sjálfri. Festiólin er með nokkrar raufar til að nota. Gakktu úr skugga um að nota raufina eins nálægt málmfestingunni og hægt er og settu þannig málmfestinguna eins nálægt gólfi ökutækisins og mögulegt er. Þegar þessu er lokið skaltu toga í málmfestinguna til að herða ólina og endurtaka ferlið fyrir hina ólina. Notaðu alltaf tvo festipunkta þegar AXKID MINIKID 4 er sett upp og veldu festingar sem eru aðskildir þar sem það veitir stöðugri uppsetningu.

## Valkostir til að leiða festiól

valk. **a** Leggðu ólina í kringum foruppsettu festinguna (notaðu þessa aðferð aðeins ef foruppsettu festingarnar passa ekki beint við neðri ólarnar)

valk. **b** Settu ólina utan um sætissleðann fyrir framan bílstólinn með því að þræða ólina á milli sætissleðans og gólfs ökutækisins eða í gegnum viðeigandi gat á sætissleðanum.

valk. **c** Settu ólina utan um lóm ökutækissætisins fyrir framan bílstólinn með því að þræða ólina á milli stólsbaks ökutækisins og stólpúðans.

valk. **d** Settu ólina utan um sætissleðann fyrir neðan bílstólinn með því að þræða ólina á milli sætissleðans og gólfs ökutækisins eða í gegnum viðeigandi gat á sætissleðanum.

valk. **e** Þegar AXKID MINIKID 4 er komið fyrir í farþegasætinu að framan og enginn af ofangreindum valkostum er í boði, er hægt að festa neðri ólarfestingarnar við viðeigandi festipunkt aftan í ökutækinu og beina ólunum undir ökutækissætið fram í ökutækid. Gakktu úr skugga um að festiólarnar komi út fyrir framan sætið en ekki út frá hliðunum.

**Athugið:** Gakktu ávallt úr skugga um að breyting á stöðu ökutækissæta trufli ekki eða skemmi uppsettu neðri ólarfestingarnar

**Athugið:** Notaðu aldrei beitta hluti til að aðstoða við að þræða ólarnar þar sem það gæti skemmt ólina.



# Uppsetning AXKID MINIKID 4 bílstóls í ökutæknið

Áður en AXKID MINIKID 4 er sett upp skaltu ganga úr skugga um að þú hafir neðri ólarfestingar í ökutækni þínu. Sjá kafla um neðri festingar í þessari handbók fyrir frekari upplýsingar og uppsetningarleiðbeiningar.

1

Opnaðu rennilásinn og opnaðu beltisklemmulokið (O)

2

Settu AXKID MINIKID 4 í sæti ökutækisins þannig að bakið á bílstólnum snúi fram í ökutækni. Stilltu fótarýmið fyrir barnið þitt með því einfaldlega að færa bílstólinn fram og til baka í sæti ökutækisins. AXKID MINIKID 4 er hægt að setja þétt upp við sætisbak ökutækisins en aldrei má setja það upp með hælinn (J) hangandi yfir kant ökutækissætisins. Gakktu úr skugga um að lóðrétta strikið (K) á hælum (J) fari aldrei yfir kant ökutækissætisins.

Stilltu halla bílstólsins með því að ýta á hallastillingarhandfangið (G) og velja viðeigandi hallastöðu. Til að fá hámarksöryggi skaltu velja eins upprétta stöðu og mögulegt er á meðan þú tryggir að höfuð barnsins falli ekki fram þegar það sefur. Af þæginda- og öryggisástæðum ætti að stilla hallahornið í uppréttari stöðu þegar barnið þitt stækkar. Athugaðu að þegar neðri ólarnir (M) eru spennar, hallast bílstólinn aðeins meira þegar hann sekkur í setu ökutækissætisins. Þegar AXKID MINIKID 4 er komið fyrir í farþegasætinu að framan er mögulegt, en ekki nauðsynlegt, að bakið á bílstólnum snerti mælaborðið.

3

Opnaðu beltisklemmuna (N). Dragðu út handleggslengd öryggisbeltisins og þræddu það í gegnum öryggisbeltaraufina (D) næst þér. Færðu beltið í gegnum beltisklemmuna (N) og þræddu það í gegnum öryggisbeltaraufina (D) á gagnstæðri hlið. Tengdu öryggisbelti ökutækisins við beltissylgjuna og togaðu fast í axlarhluta bilbeltisins til að fjarlægja allan slaka og til að festa bílstólinn, því fastar sem þú togar því traustari er uppsetningin. Þegar bílstólinn er vel spennur skaltu loka beltaklemmuni (N) og læsa bilbeltinu í stöðu. Gakktu úr skugga um að bæði axla- og mjaðmarbeltið sé læst saman í beltaklemmuni (N). Lokaðu beltaklemmulokinu (O) og lokaðu rennilásnum. Til að gefa enn traustari og stöðugri uppsetningu, þrýstu niður á bílstólinn á meðan þú togar í axlabeltið.

4

Dragðu neðri ólarnar (M) út úr bílstólnum og tengdu þær við neðri ólarfestingarnar í ökutækni, sjá kafla um neðri ólarfestingar í þessari handbók fyrir frekari upplýsingar. Ýttu niður efst á bílstólinn og ruggaðu bílstólnum frá hlið til hliðar og sjálfspennandi neðri ólar (M) AXKID MINIKID 4(M) spennast þá sjálfkrafa. Með því að spenna neðri ólarnar (M) stillirðu einnig endanlegan halla á bílstólnum. Haltu áfram að ýta á bílstólinn þar til hann er vel festur og þú hefur náð hæfilegu halla. Athugaðu að hvíta merkingin á neðri ólinni sé sýnileg. Ef ekki, eru neðri ólarfestingarnar of nálægt bílstólnum og þarf að stilla þær. Ef það er ekki mögulegt, geturðu einnig lagt neðri ólarnar þvert fyrir aftan stólinn til að fá meira bil.

5

Dragðu stuðningsfótinn (P) út úr bílstólnum. Ýttu á stuðningsfótarhnappinn (Q) og dragðu stuðningsfótinn (P) niður þar til hann snertir gólf ökutækisins. Slepptu stuðningsfótarhnappnum (Q) og lyftu bílstólnum upp til að lengja stuðningsfótinn enn frekar (P) þar til smellur heyrir. Stuðningsfóturinn (P) ætti nú að vera læstur og þrýstast þétt að gólf ökutækisins. Gakktu úr skugga um að stuðningsfóturinn (P) halli um 10° fram á við í ökutækni. Athugaðu öryggisbelti ökutækisins aftur til að ganga úr skugga um að það sé enn vel spennnt og að enginn slaki hafi orðið á mjaðmabeltinu þegar spennnt var á neðri ólunum og stuðningsfætinum. Ef belti ökutækisins hefur misst spennu skaltu einfaldlega spenna það aftur með því að endurtaka skref 2 í þessum leiðbeiningum án þess að aftengja neðri ólarnar.

6

Ýttu ASIP-púðanum (I) inn í raufina á ASIP-festingunni (L) og renndu honum niður. ASIP-púðinn (I) smellur þá á sinn stað. Ef plasthlíf er á ASIP-festingunni (L), taktu hana af og settu hana á ASIP-festinguna (L) á hinri hlið stólsins áður en ASIP-púðinn (I) er settur á. Gakktu úr skugga um að ASIP-púðinn (I) sé festur á þá hlið AXKID MINIKID 4 stólsins sem er næst hurð ökutækisins.



# Að festa barnið þitt í AXKID MINIKID 4 bílstól

Áður en þú festir barnið þitt í AXKID MINIKID 4 bílstólinn skaltu ganga úr skugga um að þú sért með rétta innleggjó í sætinu. AXKID MINIKID 4 er hannað til að vaxa með barninu þínu og passa þægilega og örugglega fyrir börnin. Axkid mælir með því að nota innleggjó þar til það er of þröngt fyrir barnið þitt, en í lágmarkslengd samkvæmt töflunni hér að neðan (athugið að aldurinn er aðeins vísbending):

Aldur	Hæð	
Smábarn 0-3 ára	61-105 cm	
Barn 3-7 ára	106-125 cm	

AXKID MINIKID 4 er búinn sjálfvirkum höfuðpúða (A) sem lækkar sig í rétta stöðu þegar verið er að herða beltið. Til að tryggja að það passi sem best mælir Axkid með því að nota þennan eiginleika í hvert skipti sem þú spennir barnið í stólinn. Áður en barnið er sett í bílstólinn skaltu ganga úr skugga um að sjálfvirki höfuðpúðinn (A) sé í ólæstri stöðu. Sjá kafla um höfuðpúða (A) fyrir frekari upplýsingar.

**7**

Gakktu úr skugga um að Bremsuhandfang höfuðpúða (H) sé stillt á ólæst. Ef það er læst skaltu ýta handfanginu yfir í ólæsta stöðu.

**8**

Losaðu beltið með því að ýta á beltislosunarhappinn (E) og dragðu út báðar axlaólmarnar (R) samtímis. Forðist að toga aðeins í eina ól í einu þar sem það getur valdið því að axlaólmarnar (R) verði ójafnar. Gakktu úr skugga um að höfuðpúðanum (A) sé ýtt upp í efstu stöðu.

**9**

Opnaðu sylgjuna með því að ýta á losunarhapp sylgjunnar (C) og settu ólmarnar fyrir utan sætið.

**10**

Settu barnið þitt í sætið og settu axlaólmarnar (R) yfir öxl barnsins. Læstu beltinu með því að staðsetja fyrst hluta sylgjunnar sem festir eru við axlaólmarnar (R) saman og ýta þeim síðan inn í sylgjuna þar til þú heyrir smell.

**11**

Togaðu í axlaólmarnar (R) til að spenna beltið yfir mjaðmir barnsins. Á meðan þú heldur spennunni á axlaólunum (R), dragðu beltisspenniólina (F) beint úr bílstólunum þar til beltið er nægilega spenn. Þú ættir ekki að geta komið meira en einum fingri á milli axlaólmanna (R) og axla barnsins þíns. Þegar beltið er spenn mun höfuðpúðinn (A) sjálfkrafa færast niður í rétta stöðu fyrir barnið þitt.



# Stilling höfuðpúða

AXKID MINIKID 4 er búinn sjálfvirkum höfuðpúða (A) sem tryggir að höfuðpúðinn (A) sé alltaf í bestu stöðu fyrir barnið. Þegar verið er að spenna beltið mun höfuðpúðinn (A) lækka sig í rétta hæð og læsast sjálfkrafa í stöðu. Þegar beltið er losað mun höfuðpúðinn (A) færast upp í efstu stöðu sína aftur og opnast. Til að tryggja að það passi sem best mælir Axkid með því að nota þennan eiginleika í hvert skipti sem þú spennir barnið í stólinn.

Höfuðpúðinn (A) opnast aðeins í efstu stöðu. Það er því mikilvægt að tryggja að höfuðpúðinn (A) færist alla leið í efstu stöðu þegar beltið er losað, annars helst höfuðpúðinn (A) læstur og færast ekki niður þegar beltið er spennnt.

Ef þú vilt slökkva á sjálfvirka stillingareiginleikum og halda höfuðpúðanum (A) í fastri stöðu, settu höfuðpúðann (A) í þá stöðu sem þú vilt og færðu bremsuhandfang höfuðpúðans (H) í læsta stöðu. Höfuðpúðinn (A) er nú hæðarlæstur og mun ekki hreyfast fyrr en þú setur bremsuhandfang höfuðpúðans (H) aftur í ólæsta stöðu.

Þegar þú notar AXKID MINIKID 4 með höfuðpúðann (A) í fastri stöðu skaltu ganga úr skugga um að höfuðpúðinn (A) sé staðsettur í réttri hæð fyrir barnið. Athugaðu hvort axlaólmarnar (R) fari í gegnum sætið beint út frá öxlum barnsins eða að hámarki 1 cm fyrir ofan. Ef ekki, stilltu höfuðpúðann (A) með því að færa bremsuhandfang höfuðpúðans (H) í ólæsta stöðu og ýttu höfuðpúðanum (A) í efstu stöðu til að opna hann og endurtaktu síðan ferlið.



## Úrtekning AXKID MINIKID 4 bílstóls úr ökutækinu

- Opnaðu rennilásinn og opnaðu beltisklemmulokið (O). Losaðu belti ökutækisins með því að ýta á rauða hnappinn á beltissylgu stólsins. Opnaðu beltisklemmuna (N) og togaðu í bilbeltið og stýrðu því í gegnum öryggisbeltarauðarnar (D) til að taka það úr bílstólnum.
- Opnaðu neðri ólmarnar (M) með því að halda tengjunum með hendinni og ýta á rauða takkann með þumalfingri. Á meðan þú hefur tengið í hendinni skaltu færa það hægt aftur í bílstólinn. Gættu þess að sleppa ekki neðra ólartenginu, þar sem það mun dragast inn sjálfkrafa með miklum hraða.
- Ýttu á stuðningsfótarhnappinn (Q) og felldu stuðningsfótinn (P) saman í stystu stöðu.
- Ýttu á hallastillingarhandfangið (G) og ýttu hallastillingunni (T) inn í stystu stöðu sína. Lyftu AXKID MINIKID 4 út úr ökutækinu.

**Ábending:** Læstu beltissylgunni og spennu beltið áður en þú tekur bílstólinn úr ökutækinu. Síðan er hægt að nota axlaólmarnar (R) sem burðarhandfang, sem gerir það auðveldara að lyfta bílstólnum og taka hann úr ökutækinu.

**Mikilvægt:** Berðu aldrei stólinn með því að halda í höfuðpúðann (A)

# Umhirða og viðhald

Stólsáklæðið má þvo í vél við 30°C á mildri stillingu. Setjið áklæðið ekki í þurrkara þar sem það getur skemmt áklæðið og fylliefnið getur losnað af því. Heimsækið [www.axkid.com](http://www.axkid.com) til að finna myndbönd sem útskýra hvernig á að taka af og setja áklæðið á.

## Áklæðið tekið af:

- Fjarlægðu ASIP-púðann (I) ef hann er festur.
- Stilltu sjálfvirka bremsuhandfang höfuðpúðar (H) í ólæsta stöðu og losaðu beltið með því að ýta á losunarhnapp beltisins (E) og draga út báðar axlaólar (R) samtímis.
- Opnaðu rennilásana tvo neðan á höfuðpúðanum (A) og dragðu hlífina varlega af höfuðpúðanum (A).
- Lækkaðu höfuðpúðann (A) niður í lægstu stöðu og settu sjálfvirka bremsuhandfangið fyrir höfuðpúða (H) í læsta stöðu.
- Opnaðu beltissylgjuna með því að ýta á losunarhnapp sylgjunnar (C) og taktu af sylgjuhlífina.
- Opnaðu rennilásinn og opnaðu beltisklemmulokið (O) og taktu plastlokið (O) af áklæðinu.
- Opnaðu rennilásinn undir bilstólnum og opnaðu hnappana 4 á áklæðinu á bakhlið bilstólsins.
- Opnaðu rennilásana tvo á bakinu innan í bilstólnum og taktu áklæðið varlega af bilstólnum. Farðu varlega í kringum ASIP-púðann og aðrar plasthlífar til að skemma ekki áklæðið. Togaðu ekki of fast.
- Opnaðu axlapúðana og taktu þá varlega af riflásnum.

## Áklæðið sett á

- Þegar áklæðið er sett aftur á bilstólinn er farið að öflugt við það þegar það er tekið af.
- Athugaðu að hægt er að setja axlapúðana á mismunandi staði. Settu þau upp í stöðu sem hentar barninu þínu, axlapúðarnir ættu að vera staðsettir ofan á axlirnar og á bringu barnsins. Gakktu úr skugga um að gúmmihlið axlapúðans snúi að bringu barnsins.

Ef skipta þarf um áklæðið skal aðeins nota upprunalegar vörur frá Axkid. Ef aðrar vörur eru notaðar getur AXKID MINIKID 4 bilstólinn verið í hættu og það getur leitt til alvarlegra meiðsla ef slys verður.

Hægt er að þrifa alla plasthluti sem eru í AXKID MINIKID 4 bilstól með mildu þvottaefni og vatni. Notið ekki sterk efni sem innihalda leysiefni og þess háttar þar sem þetta getur valdið skemmdum á plastinu og haft neikvæð áhrif á öryggi bilstólsins.

# Ábyrgð

AXKID MINIKID 4 bilstóll er með tveggja ára ábyrgð frá kaupdegi. Geymdu kvittunina tryggilega og hafðu hana með til söluaðila ef einhver ábyrgðarmál koma upp.

- Eðlilegt slit
- Tjón vegna rangrar notkunar, vanrækslu eða slyss
- Ef viðgerðir hafa verið framkvæmdar af þriðja aðila
- Öll efni sem notuð eru hafa mjög hátt viðnám gegn útfjólubláum geislum. Hins vegar eru útfjólubláir geislar mjög óvægirnir og munu smám saman valda upplitun á áklæði stólsins. Ábyrgðin nær ekki yfir þetta þar sem að það er talið eðlilegt slit.
- Meðhöndlið stólinn varlega. Berðu aldrei stólinn með því að halda í höfuðpúðann (A).

# Obrigado por escolher a cadeira auto

## AXKID MINIKID 4

Leia este manual de instruções antes de instalar a cadeira auto AXKID MINIKID 4 no seu veículo. Para mais informações e vídeos de instalação, visite [www.axkid.com](http://www.axkid.com).

**AXKID MINIKID 4** é uma cadeira auto voltada para trás aprovada para crianças com uma altura entre 61-125 cm, ≤36 kg

AXKID MINIKID 4 é adequado para uso a partir dos seis meses de idade, ou a partir de quando o seu filho pode sentar-se sem apoio.

Este é um sistema de retenção infantil aprimorado com cinto para veículos específicos. É aprovado de acordo com o Regulamento da ONU nº 129, para uso em posições de assento de veículos compatíveis, conforme indicado pela lista de veículos. Em caso de dúvida, consulte o fabricante do sistema de retenção infantil melhorado ([www.axkid.com](http://www.axkid.com)) ou o revendedor.

## Informação importante

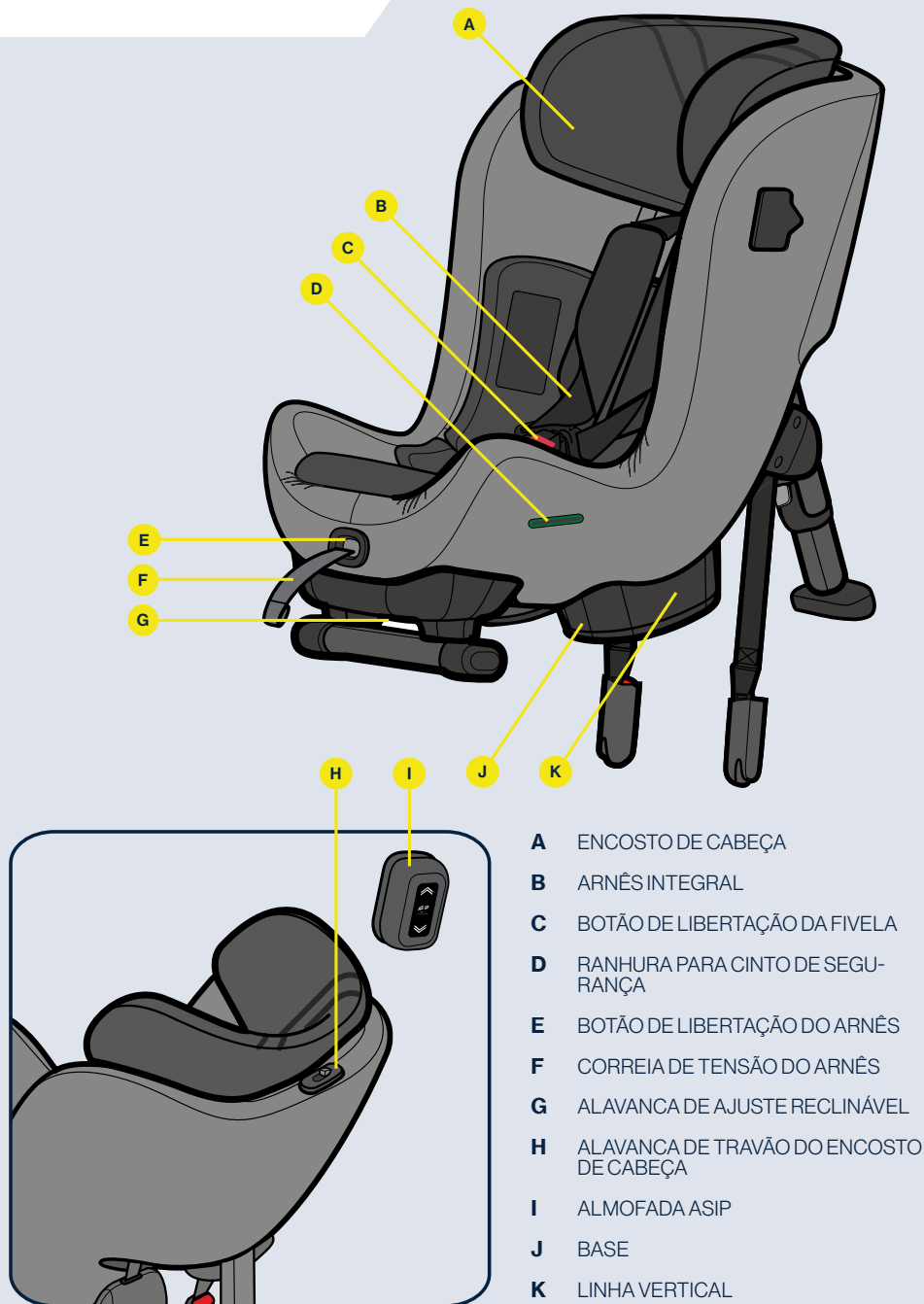
Para maximizar a segurança do seu filho, é importante ter em consideração o seguinte:

- Siga sempre as instruções deste manual. Uma instalação incorreta pode afetar seriamente a segurança do seu filho. Em caso de dúvida, contacte o revendedor que pode demonstrar uma instalação correta.
- Guarde este manual de instruções para consultas futuras. Se o manual for extraviado, pode encontrá-lo online em [www.axkid.com](http://www.axkid.com)
- Não utilize a cadeira auto AXKID MINIKID 4 na posição sentada onde está instalado um airbag frontal ativo. Se ainda deseja instalar a cadeira auto AXKID MINIKID 4 neste local, o airbag deve ser desligado de acordo com as instruções do fabricante do veículo.
- Se tiver um acidente, mesmo que pequeno, a sua cadeira auto deve sempre ser substituída. Pode ter danos não visíveis e afetar seriamente a segurança do seu filho. Por este motivo, a Axkid não recomenda a compra de cadeiras auto em segunda mão.
- Se a cadeira auto AXKID MINIKID 4 tiver sido exposta à luz solar direta, certifique-se de que não está muito quente antes de instalar o seu filho na mesma.
- Nunca deixe o seu filho sozinho no carro.
- Certifique-se de que qualquer bagagem ou objetos soltos estão presos no veículo, pois podem provocar ferimentos nos passageiros em caso de colisão.
- Certifique-se de que a cadeira auto AXKID MINIKID 4 está instalada de modo a que nenhuma peça fique presa por assentos amovíveis, portas de carro, etc.
- Se estiver a utilizar correias de fixação inferiores, certifique-se de que são instaladas de forma que não interfiram no movimento de qualquer assento do veículo.
- A cadeira auto AXKID MINIKID 4 só pode ser instalada voltada para trás.
- Certifique-se sempre de que o arnês está ajustado para se ajustar corretamente ao corpo do seu filho. O arnês é ajustado movendo o suporte da cabeça.
- Certifique-se de que as costas da criança estão encostadas à cadeira auto ao prender o seu filho com o arnês.
- Certifique-se sempre de que o arnês está firmemente apertado contra o seu filho e que a fivela está completamente travada, não deve conseguir apertar as correias.
- Certifique-se de que não há torção no arnês.
- Certifique-se sempre de que a perna de apoio está na posição correta e tem contacto com o chão do veículo. A perna de fixação é um recurso de segurança muito importante desenhado para maximizar a segurança do seu filho num acidente.
- Não tente desmontar nem modificar nenhuma peça da cadeira auto AXKID MINIKID 4. A garantia e o desempenho de segurança da cadeira auto Axkid podem ser afetados se o fizer.
- Nunca utilize a cadeira auto AXKID MINIKID 4 sem a capa têxtil. A capa têxtil da cadeira é um recurso de segurança e só pode ser substituída por uma capa têxtil original da cadeira Axkid.
- Leia o manual do veículo e a lista de veículos em [www.axkid.com](http://www.axkid.com) para descobrir quais os lugares sentados adequados para esta cadeira auto
- A Axkid recomenda sempre a utilização de uma proteção da cadeira para proteger a cadeira auto contra riscos e sujidade.
- Em caso de dúvida, entre em contacto com o revendedor onde a cadeira auto foi adquirida ou entre em contacto com [info@axkid.com](mailto:info@axkid.com)

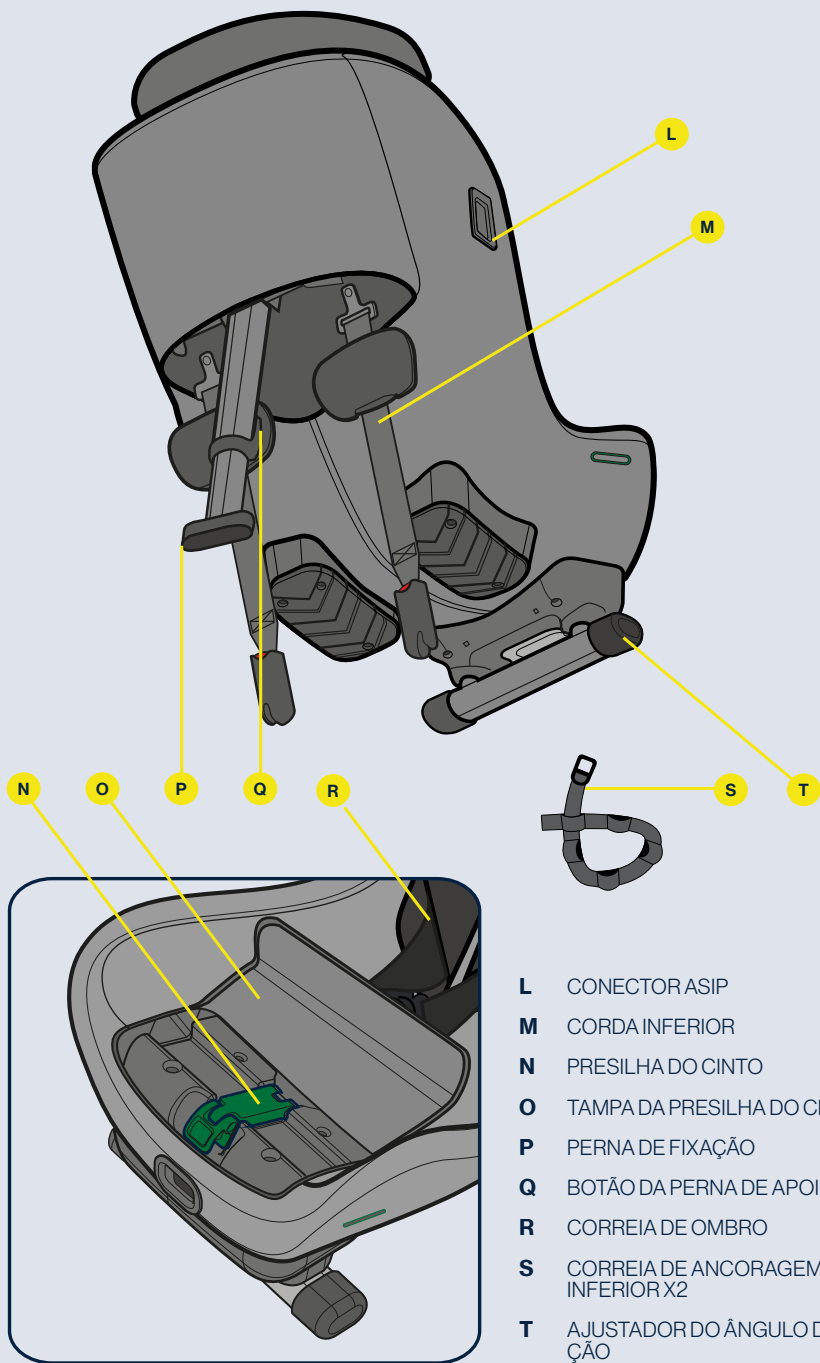
# Índice

Peças	164
Posicionamento permitido e não permitido da cadeira auto AXKID MINIKID 4	166
Ancoragens de corda inferior	166
Instalação das correias de fixação inferiores	167
Prender o seu filho na cadeira auto AXKID MINIKID 4	169
Ajustes do encosto de cabeça	170
Remover a cadeira auto AXKID MINIKID 4 do veículo	170
Cuidado e manutenção	171
Garantia	171

# Peças







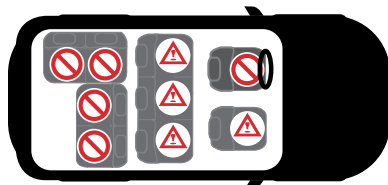
- L** CONECTOR ASIP
- M** CORDA INFERIOR
- N** PRESILHA DO CINTO
- O** TAMPADA DA PRESILHA DO CINTO
- P** PERNA DE FIXAÇÃO
- Q** BOTÃO DA PERNA DE APOIO
- R** CORREIA DE OMBRO
- S** CORREIA DE ANCORAGEM DE CORDA INFERIOR X2
- T** AJUSTADOR DO ÂNGULO DE RECLINAÇÃO



# Posicionamento permitido e não permitido da cadeira auto AXKID MINIKID 4

A cadeira auto AXKID MINIKID 4 só pode ser instalada voltada para trás. Caberá na maioria, mas não em todos os lugares sentados. Verifique o manual de instruções do veículo para encontrar posições sentadas apropriadas e verifique a lista de veículos em [www.axkid.com](http://www.axkid.com)

Banco do passageiro dianteiro (sem airbag ativo)	SIM/NÃO*
Banco do passageiro dianteiro (airbag ativo)	NÃO
Banco do passageiro traseiro com cinto de segurança de 3 pontos	SIM
Assento com cinto de segurança de 2 pontos	NÃO
Cadeiras voltadas para os lados e para trás	NÃO



**IMPORTANTE:** Se deseja instalar a sua cadeira auto AXKID MINIKID 4 num local onde está instalado um airbag frontal, o airbag deve ser desligado de acordo com as instruções do fabricante do veículo. Observe que alguns veículos exigem que o airbag seja desligado por um centro de serviço autorizado.

\* O Regulamento Geral de Trânsito em Espanha, no seu artigo 117, estabelece a proibição de conduzir com crianças de estatura igual ou inferior a 135 centímetros localizadas nos bancos dianteiros do veículo, sem exceções.



## Ancoragens de corda inferior

### Informação importante

As ancoragens inferiores (LTA) são usadas para aumentar a proteção de crianças em carros, fornecendo uma instalação firme e estável para cadeiras auto estendidas com cinto voltadas para trás. Isso aumenta a segurança do seu filho em todos os tipos de colisões, incluindo acidentes de capotamento e impactos traseiros.

As cordas inferiores são um método bem estabelecido que tem sido amplamente utilizado nos países nórdicos há mais de 40 anos. Em 2020, uma nova norma internacional para LTA, ISO 13216-4:2020, foi lançada. Esta norma descreve os requisitos para cordas inferiores para cadeiras auto, mas também para fabricantes de veículos e seus pontos de ancoragem. O objetivo é melhorar a compatibilidade e garantir uma maneira fácil e segura de instalação no futuro.

As cordas inferiores AXKID MINIKID 4 estão em conformidade com a ISO 13216-4:2020, garantindo um encaixe perfeito e fácil instalação em veículos com ancoragens de corda inferior pré-instaladas que também atendem a esta norma. Se o seu veículo tiver pontos de ancoragem que não estejam em conformidade com a norma, as cordas inferiores do AXKID MINIKID 4 ainda poderão caber, mas sem garantias.

Se o seu veículo não tiver ancoragens de corda inferior pré-instaladas adequadas, o AXKID MINIKID 4 vem com correias de corda inferior (S) adicionais incluídas que podem ser instaladas no seu veículo. Consulte este manual para obter instruções de instalação. Estas correias também estão em conformidade com a ISO 13216-4:2020 e, quando instaladas corretamente, oferecem a mesma segurança que as ancoragens pré-instaladas.

Se o seu veículo não tiver ancoragens de corda inferior pré-instaladas adequadas, o AXKID MINIKID 4 vem com correias de corda inferior (S) adicionais incluídas que podem ser instaladas no seu veículo. Consulte este manual para obter instruções de instalação. Estas correias também estão em conformidade com a ISO 13216-4:2020 e, quando instaladas corretamente, oferecem a mesma segurança que as ancoragens pré-instaladas.

Alguns fabricantes de veículos também oferecem a possibilidade de adaptar as ancoragens de corda inferior. Entre em contacto com o fabricante ou concessionário do veículo para obter mais informações. As ancoragens de corda inferior de ajuste traseiro Axkid e as correias de fixação inferiores adicionais podem ser adquiridas separadamente.

**Nota:** Nunca utilize o AXKID MINIKID 4 sem as cordas inferiores. São um importante recurso de segurança e devem ser sempre utilizadas ao instalar a cadeira auto.

# Instalação das correias de fixação inferiores

Se o seu veículo não tiver ancoragens de corda inferior pré-instaladas adequadas, o AXKID MINIKID 4 vem com correias de corda inferior que podem ser instaladas no seu veículo. Dependendo do seu veículo e da posição do assento onde escolher instalar a cadeira auto, existem vários pontos de ancoragem possíveis para instalar as correias de ancoragem. Veja abaixo as alternativas.

Para instalar as correias de fixação inferiores (S), simplesmente passe a tira em torno do ponto de ancoragem escolhido e passe a ancoragem de metal por uma das ranhuras na própria cinta. A correia de ancoragem tem várias ranhuras para usar. Certifique-se de que utiliza a ranhura o mais próximo possível da ancoragem metálica, instalando assim a ancoragem metálica o mais próximo possível do chão do veículo. Feito isso, puxe a ancoragem de metal para apertar a correia e repita o processo para a outra cinta. Utilize sempre dois pontos de ancoragem ao instalar o AXKID MINIKID 4 e escolha pontos de ancoragem separados, pois isso proporciona uma instalação mais estável.

## Opções de roteamento da correia de ancoragem

- alt. **a** Passe a correia em torno da borda da ancoragem pré-instalada (utilize este método apenas se as ancoragens pré-instaladas não encaixarem diretamente nas cordas inferiores)
- alt. **b** Instale a correia em torno da grade do assento na frente da cadeira auto, enfiando a correia entre a grade do assento e o chão do veículo ou através do orifício apropriado da grade do assento.
- alt. **c** Instale a correia em torno da dobradiça do assento do veículo na frente da cadeira auto, enfiando a correia entre o encosto do assento do veículo e a almofada do assento.
- alt. **d** Instale a correia em torno da grade do assento abaixo da cadeira auto, enfiando a correia entre a grade do assento e o chão do veículo ou através do orifício apropriado da grade do assento.
- alt. **e** Se instalar o AXKID MINIKID 4 num banco do passageiro da frente e nenhuma das alternativas acima estiver disponível, é possível prender as correias de fixação inferiores a um ponto de ancoragem adequado na parte traseira do veículo e direcionar as correias sob o assento do veículo para a frente do veículo. Certifique-se de que as correias de ancoragem saem pela frente do assento e não pelos lados.

**Nota:** Certifique-se sempre de que a alteração da posição de qualquer assento do veículo não interfere ou danifica as correias de fixação inferiores instaladas

**Nota:** Nunca use objetos pontiagudos para ajudar a passar as correias, pois isso pode danificá-las.



# Instalar a cadeira auto AXKID MINIKID 4 no veículo

Antes de instalar o AXKID MINIKID 4, certifique-se de que tem as ancoragens de corda inferior no seu veículo. Consulte a secção sobre ancoragens de corda inferior neste manual para obter mais informações e instruções de instalação.

1

Abra o fecho e abra a tampa da presilha do cinto (O)

2

Coloque o AXKID MINIKID 4 no assento do veículo com a parte traseira da cadeira auto voltada para a frente do veículo. Ajuste o espaço para as pernas do seu filho, simplesmente movendo a cadeira auto para a frente e para trás no assento do veículo. O AXKID MINIKID 4 pode ser instalado junto ao encosto do banco do veículo, mas nunca pode ser instalado com o calcanhar (J) pendurado na borda do assento do veículo. Certifique-se de que a linha vertical (K) no calcanhar (J) nunca cruza a borda do assento do veículo.

Ajuste o ângulo da cadeira auto pressionando a alavanca de ajuste de reclinção (G) e selecione uma posição de reclinção adequada. Para máxima segurança, escolha uma posição o mais vertical possível, garantindo também que a cabeça do seu filho não cai para a frente durante o sono. Por razões de conforto e segurança, o ângulo de reclinção deve ser ajustado para uma posição mais vertical à medida que o seu filho cresce. Observe que ao tensionar as cordas inferiores (M), a cadeira auto ficará um pouco mais reclinada à medida que afunda na almofada do assento do veículo. Ao instalar o AXKID MINIKID 4 num banco do passageiro da frente, é possível, mas não necessário, que o encosto da cadeira auto entre em contato com o painel de instrumentos.

3

Abra a presilha do cinto (N). Puxe o cinto de segurança do veículo ao comprimento de um braço e passe-o pela fenda do cinto de segurança (D) mais próxima de si. Passe o cinto pela presilha do cinto (N) e passe-o pela fenda do cinto de segurança (D) no lado oposto. Conecte o cinto de segurança do veículo com a fivela do cinto de segurança e puxe com força na parte do ombro do cinto de segurança do veículo para remover toda a folga e para apertar a cadeira auto; quanto mais forte puxar, mais firme será a instalação. Quando a cadeira auto estiver bem presa, feche a presilha do cinto (N) e fixe o cinto de segurança do veículo na posição. Certifique-se de que o cinto de ombro e o cinto abdominal estão travados em conjunto na presilha do cinto (N). Feche a tampa da presilha do cinto (O) e feche o fecho. Para uma instalação ainda mais firme e estável, pressione a cadeira auto enquanto puxa o cinto de ombro.

4

Retire as cordas inferiores (M) da cadeira auto e conecte-as às ancoragens das cordas inferiores no seu veículo; consulte a seção sobre as ancoragens das cordas inferiores neste manual para obter mais informações. Pressione a parte superior da cadeira auto e balance a cadeira auto de um lado para o outro, e as cordas inferiores de tensionamento do AXKID MINIKID 4 (M) serão automaticamente tensionadas. Ao tensionar as cordas inferiores (M), também define o ângulo de reclinção final da cadeira auto. Continue a empurrar a cadeira auto até que esteja firmemente presa e tenha alcançado um ângulo de reclinção adequado. Verifique se a marca branca no cinto de corda inferior está visível. Caso contrário, as ancoragens de corda inferior estão muito próximas da cadeira auto e precisam de ser ajustadas. Se isso não for possível, também pode cruzar as cordas inferiores atrás do assento para obter um pouco mais de distância.

5

Retire a perna de apoio (P) da cadeira auto. Pressione o botão da perna de apoio (Q) e puxe a perna de apoio (P) para baixo até que a mesma esteja em contacto com o chão do veículo. Solte o botão da perna de apoio (Q) e levante a cadeira auto para estender ainda mais a perna de apoio (P) até ouvir um clique. A perna de apoio (P) deve agora ser travada e firmemente pressionada contra o chão do veículo. Certifique-se de que a perna de apoio (P) está inclinada cerca de 10° em direção à frente do veículo. Verifique novamente o cinto de segurança do veículo para se certificar de que ainda está firmemente tensionado e de que nenhuma folga ocorreu no cinto do quadril ao tensionar as cordas inferiores e a perna de apoio. Se o cinto de segurança do veículo tiver perdido alguma tensão, simplesmente volte a tensioná-lo, repetindo o passo 2 deste guia sem desconectar as cordas inferiores.

6

Empurre a almofada ASIP (I) para as ranhuras do conector ASIP (L) e deslize para baixo; a almofada ASIP (I) encaixará na posição com um clique. Se houver uma tampa de plástico no conector ASIP (L), remova-a e coloque-a no conector ASIP (L) no lado oposto da cadeira antes de encaixar a almofada ASIP (I). Certifique-se de que a almofada ASIP (I) está presa na lateral da cadeira auto AXKID MINIKID 4 que está mais perto da porta do veículo.



# Prender o seu filho na cadeira auto AXKID MINIKID 4

Antes de prender o seu filho na cadeira auto AXKID MINIKID 4, certifique-se de que tem a inserção correta instalado na cadeira. A cadeira auto AXKID MINIKID 4 foi concebida para crescer com o seu filho e garantir um ajuste confortável e seguro para as crianças. A Axkid recomenda a utilização da inserção até que esteja demasiado apertada para o seu filho, mas com um comprimento mínimo de acordo com a tabela abaixo (observe que a idade é apenas uma indicação):

Idade	Altura	
Criança 0–3 anos	61–105 cm	
Criança 3–7 anos	106–125 cm	

O AXKID MINIKID 4 está equipado com um encosto de cabeça automático (A) que desce para a posição correta quando o arnês é apertado. Para garantir o melhor ajuste, a Axkid recomenda a utilização desta funcionalidade sempre que prender o seu filho. Antes de colocar o seu filho na cadeira auto, certifique-se de que o encosto de cabeça automático (A) está na posição desbloqueada. Consulte a secção ajuste do apoio de cabeça (A) para obter mais informações.

**7**

Certifique-se de que a alavanca do travão do encosto de cabeça (H) está destravada. Se estiver bloqueada, empurre a alavanca para a posição desbloqueada.

**8**

Solte o arnês pressionando o botão de libertação do arnês (E) e retire as duas correias de ombro (R) ao mesmo tempo. Evite puxar apenas uma correia à vez, pois isso pode fazer com que as correias de ombro (R) fiquem irregulares. Certifique-se de que o apoio de cabeça (A) é empurrado para cima até à posição superior.

**9**

Desbloqueie a fivela pressionando o botão de libertação da fivela (E) e coloque as correias fora da cadeira.

**10**

Coloque o seu filho na cadeira e coloque as correias (R) por cima dos ombros do seu filho. Trave o arnês posicionando primeiro as partes da fivela que estão presas às correias de ombro (R) juntas e, em seguida, empurre-as para dentro da fivela até ouvir um clique.

**11**

Puxe as correias de ombro (R) para apertar o arnês sobre as ancas do seu filho. Enquanto mantém a tensão nas correias de ombro (R), puxe a correia de tensão do arnês (F) diretamente da cadeira auto até que o arnês esteja apertado o suficiente, não deve ser capaz de colocar mais de um dedo entre as correias de ombro (R) e os ombros do seu filho. Enquanto tensiona o arnês, o encosto de cabeça (A) desce automaticamente para a posição correta para o seu filho.



## Ajuste do encosto de cabeça

O AXKID MINIKID 4 está equipado com um encosto de cabeça automático (A) que irá garantir que o encosto de cabeça (A) está sempre na melhor posição para o seu filho. Quando o arnês está a ser apertado, o encosto de cabeça (A) desce até à altura correta e bloqueia automaticamente na posição. Ao afrouxar o arnês, o encosto de cabeça (A) mover-se-á de volta para a sua posição superior e será destravado. Para garantir o melhor ajuste, a Axkid recomenda a utilização desta funcionalidade sempre que prender o seu filho.

O encosto de cabeça (A) só desbloqueia na posição superior. Portanto, é importante garantir que o encosto de cabeça (A) se move totalmente para a posição superior ao afrouxar o arnês, caso contrário, o encosto de cabeça (A) permanecerá travado e não se moverá para baixo ao tensionar o arnês.

Se desejar desativar a funcionalidade de ajuste automático e manter o encosto de cabeça (A) numa posição fixa, coloque o encosto de cabeça (A) na posição desejada e coloque a alavanca do travão do encosto de cabeça (H) na posição bloqueada. O encosto de cabeça (A) está agora travado em altura e não se moverá até que volte a colocar a alavanca do travão do encosto de cabeça (H) na posição desbloqueada.

Ao utilizar o seu AXKID MINIKID 4 com o apoio de cabeça (A) numa posição fixa, certifique-se de que o apoio de cabeça (A) está posicionado na altura correta para o seu filho. Verifique se as correias de ombro (R) passam pelo assento diretamente dos ombros do seu filho ou no máximo 1 cm acima. Caso contrário, ajuste o apoio de cabeça (A) mudando a alavanca do travão do apoio de cabeça (H) para a posição desbloqueada e empurre o apoio de cabeça (A) para a posição superior para o destravar e, em seguida, repita o procedimento.



## Remover a cadeira auto AXKID MINIKID 4 do veículo

- Abra o fecho e abra a tampa da presilha do cinto (O). Desbloqueie o cinto de segurança do veículo pressionando o botão vermelho na fivela do cinto de segurança. Abra a presilha do cinto (N) e puxe o cinto de segurança do veículo e oriente-o através das ranhuras do cinto de segurança (D) para removê-lo da cadeira auto.
- Desbloqueie as cordas inferiores (M) segurando nos conectores com a mão e pressionando o botão vermelho com o polegar. Enquanto mantém o conector na sua mão, coloque-o lentamente de volta na cadeira auto. Tenha cuidado para não soltar o conector de corda inferior, pois este irá retrair-se automaticamente a alta velocidade.
- Pressione o botão da perna de apoio (Q) e recolha a perna de apoio (P) para a posição mais curta.
- Pressione a alavanca de ajuste de reclinção (G) e empurre o ajustador de ângulo de reclinção (T) para a posição mais curta. Levante o AXKID MINIKID 4 para fora do veículo.

**Sugestão:** Bloqueie a fivela do arnês e estique o arnês antes de remover a cadeira auto do veículo. Pode então utilizar as correias de ombro (R) como alça de transporte, tornando mais fácil levantar a cadeira auto e transportá-la para fora do veículo.

**Importante:** Nunca transporte a cadeira auto segurando no apoio de cabeça (A)

### Reciclagem da cadeirinha do carro.



Axkid recomenda enfaticamente a reciclagem de assentos de carros antigos. Antes de deixar o assento na estação de reciclagem local, corte as correias do arnês do assento, remova a capa de tecido, remova o máximo de peças de isopor possível, separe as peças de metal e de plástico, se possível. A parte principal do assento deve ser marcada como insegura ou vencida (use um marcador) para impedir que alguém o use novamente. Verifique as diretrizes municipais locais para obter instruções de reciclagem para os diferentes materiais.

# Cuidado e manutenção

A capa têxtil da cadeira pode ser lavada na máquina a 30° C num ciclo de lavagem suave. Não coloque a capa numa máquina de secar, uma vez que isto pode danificar a capa e o enchimento pode ficar separado do tecido. Visite [www.axkid.com](http://www.axkid.com) para aceder a vídeos que explicam como remover e colocar a capa.

## Remova a capa têxtil:

- Remova a almofada ASIP (I), se instalada.
- Coloque a alavanca automática do travão do encosto de cabeça (H) na posição desbloqueada e afrouxe o arnês pressionando o botão de libertação do arnês (E) e puxe as duas correias de ombro (R) ao mesmo tempo.
- Abra os dois fechos na parte inferior do apoio de cabeça (A) e retire cuidadosamente a capa do apoio de cabeça (A).
- Baixe o apoio de cabeça (A) para a posição mais baixa e coloque a alavanca automática do travão do apoio de cabeça (H) na posição bloqueada.
- Desbloqueie a fivela do arnês pressionando o botão de libertação da fivela (C) e remova a tampa da fivela.
- Abra o fecho e abra a tampa da presilha do cinto (O) e remova a tampa de plástico (O) da capa têxtil.
- Abra o fecho por baixo da cadeira auto e abra os 4 botões da capa têxtil na parte de trás da cadeira auto.
- Abra os dois fechos no encosto do lado interno da cadeira auto e remova com cuidado a capa têxtil da cadeira auto. Tenha cuidado com a almofada ASIP e outras tampas de plástico para não danificar o tecido; não puxe com demasiada força.
- Abra as ombreiras e remova-as com cuidado do velcro.

## Instalar a capa têxtil

- Inverta os passos da instrução acima para instalar a capa têxtil na cadeira auto novamente.
- Observe que as ombreiras podem ser instaladas em diferentes posições. Instale-as numa posição adequada para o seu filho; as ombreiras devem ser posicionadas em cima do ombro e no peito do seu filho. Certifique-se também de que o lado de borracha da ombreira está voltado para o peito do seu filho.

Se for necessário substituir a capa têxtil da cadeira, certifique-se de que são apenas utilizados produtos originais da Axkid. Em caso de utilização de outros produtos, o sistema de segurança da cadeira auto AXKID MINIKID 4 pode ficar comprometido e pode causar ferimentos graves em caso de acidente. Todas as peças plásticas da cadeira auto AXKID MINIKID 4 podem ser limpas com detergente suave e água. Não utilize produtos químicos agressivos com diluentes, etc., pois isso pode causar danos no plástico e comprometer a segurança da cadeira auto.

# Garantia

O AXKID MINIKID 4 está coberto por uma garantia de 24 meses a partir da data da compra. Certifique-se de que guarda o seu recibo e que o tem consigo quando se dirigir ao local de compra caso tenha algum problema que a garantia não cubra.

- Utilização e desgaste normais
- Danos devido a utilização incorreta, negligência ou acidente
- Se tiverem sido realizadas reparações por terceiros
- Todos os materiais utilizados têm uma classificação de resistência UV muito elevada. No entanto, a luz UV é muito agressiva e irá acabar por desvanecer o revestimento do banco. Isto não é abrangido pela nossa garantia, pois é considerado utilização e desgaste normais.
- Manuseie a cadeira auto com cuidado. Nunca transporte a cadeira segurando no apoio de cabeça (A).

# Vă mulțumim pentru că ați ales AXKID MINIKID 4

Citiți acest manual de instrucțiuni înainte de a instala scaunul auto AXKID MINIKID 4 în vehicul. Pentru informații suplimentare și videoclipuri de instalare, vizitați [www.axkid.com](http://www.axkid.com).

**AXKID MINIKID 4** este un scaun auto, aprobat pentru montare cu spatele în direcția de mers, destinat copiilor cu înălțimea între 61 și 125 cm, <36 kg

AXKID MINIKID 4 este recomandat de la vârsta de aproximativ șase luni sau din momentul în care copilul poate să stea așezat fără ajutor.

Este un sistem integrat de scaun auto pentru copii. Este aprobat, conform Regulamentului ONU nr. 129, pentru montarea pe scaunele de mașină compatibile, indicate în lista de vehicule. Dacă aveți nelămuriri, consultați producătorul scaunului auto pentru copii îmbunătățit ([www.axkid.com](http://www.axkid.com)) sau distribuitorul.

## Informații importante

Pentru a mări la maxim siguranța copilului dvs., este important să aveți în vedere următoarele:

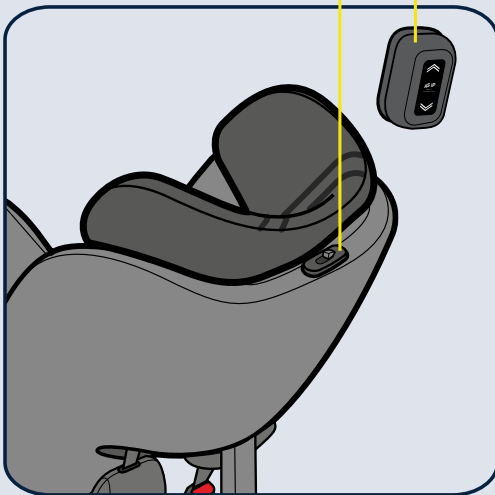
- Urmați întotdeauna instrucțiunile din acest manual. Instalarea incorectă poate afecta grav siguranța copilului. Dacă aveți nelămuriri, contactați distribuitorul care poate oferi demonstrația unei instalări corecte.
- Păstrați acest manual de instrucțiuni pentru referințe ulterioare. Dacă pierdeți manualul, îl găsiți online, la adresa [www.axkid.com](http://www.axkid.com)
- Nu utilizați scaunul auto AXKID MINIKID 4 pe scaune din mașină dotate cu airbag frontal activ. Dacă doriți, totuși, să instalați AXKID MINIKID 4 pe un astfel de scaun, airbagul trebuie să fie dezactivat în conformitate cu instrucțiunile producătorului mașinii.
- În caz de accident, fie și unul aparent nesemnificativ, scaunul auto trebuie înlocuit. Este posibil să fi suferit deteriorări care nu se văd și care pot afecta grav siguranța copilului. Din acest motiv, Axkid nu recomandă achiziționarea de scaune auto utilizate.
- Dacă AXKID MINIKID 4 a stat în bătaia directă a razelor soarelui, asigurați-vă că scaunul nu este prea fierbinte, înainte să așezați copilul.
- Nu lăsați niciodată copilul nesupravegheat în mașină.
- Asigurați-vă că bagajele sau obiectele sunt fixate în vehicul, deoarece acestea le pot provoca vătămări pasagerilor în caz de accident.
- Aveți grijă ca scaunul auto AXKID MINIKID 4 să fie montat astfel încât nicio componentă să nu fie blocată de scaunele care se mișcă, de portiere etc.
- Dacă utilizați chingile de fixare inferioare, aveți grijă să le montați astfel încât să nu afecteze mișcările niciunui scaun din mașină.
- Scaunul auto AXKID MINIKID 4 se poate instala numai orientat înapoi.
- Asigurați-vă întotdeauna că hamul este reglat corect pe corpul copilului. Hamul se reglează prin mișcarea tetierei.
- Atunci când îi puneți hamul, aveți grijă să așezați copilul cu spatele rezemat de spătarul scaunului auto.
- Strângeți întotdeauna corect hamul pe copil și închideți complet catarama. Chingile nu trebuie să facă cute.
- Aveți grijă să nu răsuciți chingile hamului.
- Aveți grijă întotdeauna ca piciorul de sprijin să stea în poziția corectă, în contact cu podeaua mașinii. Piciorul de sprijin este o componentă foarte importantă, proiectată pentru a oferi siguranță maximă copilului, în caz de accident.
- Nu încercați să demontați sau să modificați nicio piesă a scaunului auto AXKID MINIKID 4. Asemenea intervenții pot afecta garanția și caracteristicile de siguranță ale scaunului auto Axkid.
- Nu utilizați niciodată scaunul auto AXKID MINIKID 4 fără husa din material textil. Husa din material textil este o componentă de siguranță și nu se poate înlocui decât cu o altă husă originală Axkid, din material textil.
- Citiți manualul mașinii și lista de vehicule de la adresa [www.axkid.com](http://www.axkid.com) ca să aflați în ce poziții din mașină se poate monta acest scaun auto
- Axkid recomandă întotdeauna utilizarea unei protecții de scaun pentru a proteja scaunele mașinii de zgârieturi și murdărie.
- Dacă aveți nelămuriri, luați legătura cu distribuitorul de la care ați cumpărat scaunul auto sau contactați [info@axkid.com](mailto:info@axkid.com)



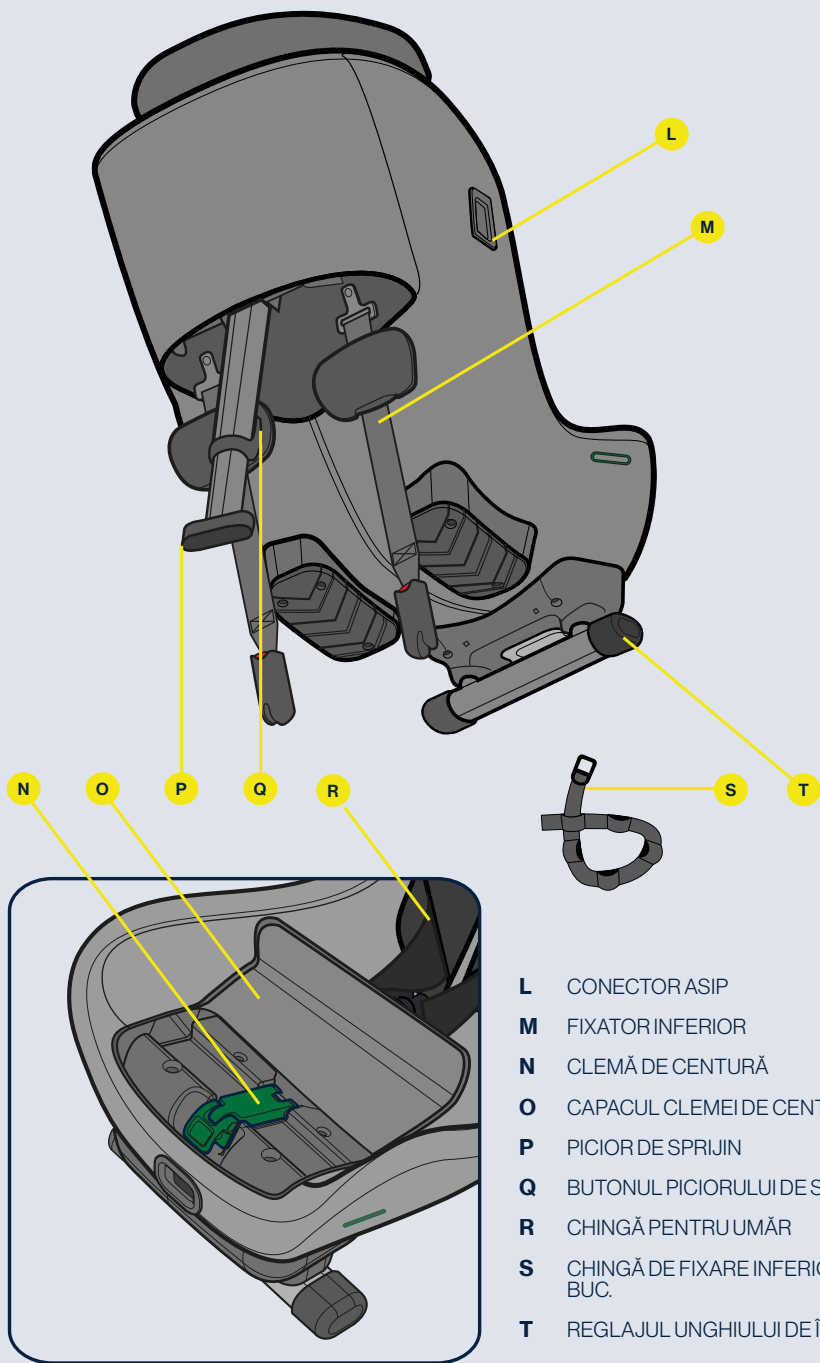
# Cuprins

Componente	174
Poziții permise și nepermise ale scaunului auto AXKID MINIKID 4	176
Puncte de fixare inferioare	176
Montarea chingilor de fixare inferioare	177
Fixarea copilului în scaunul auto AXKID MINIKID 4	179
Reglajele tetierei	180
Scoaterea scaunului auto AXKID MINIKID 4 din vehicul	180
Îngrijire și întreținere	181
Garanția	181

# Componente



- A TETIERĂ
- B HAM INTEGRAT
- C BUTON DE DESCHIDERE A CATARAMEI
- D FANTĂ PENTRU CENTURA DE SIGURANȚĂ
- E BUTON DE DESCHIDERE A HAMULUI
- F CHINGĂ DE TENSIONARE A HAMULUI
- G PÂRGHIE DE REGLARE ÎNCLINARE
- H PÂRGHIE DE BLOCARE A TETIEREI
- I PROTECȚIE ASIP
- J BAZĂ
- K LINIE VERTICALĂ

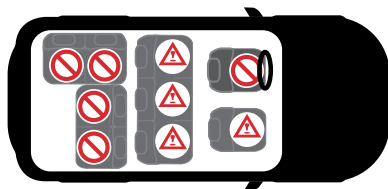




# Poziții permise și nepermise ale scaunului auto AXKID MINIKID 4

Scaunul auto AXKID MINIKID 4 se poate instala numai cu spatele în direcția de mers. Se va potrivi în majoritatea scaunelor de mașină, dar nu în toate. Consultați manualul de instrucțiuni al vehiculului pentru a găsi un scaun potrivit și verificați lista de vehicule de la adresa [www.axkid.com](http://www.axkid.com)

Scaun de pasager față (fără airbag activ)	DA/NU*
Scaun de pasager față (airbag activ)	NU
Scaun de pasager în spate, cu centură de siguranță cu prindere în 3 puncte	DA
Scaun cu centură de siguranță cu prindere în 2 puncte	NU
Scaune orientate lateral și înapoi	NU



**IMPORTANT:** Dacă doriți să montați scaunul auto AXKID MINIKID 4 pe un scaun cu airbag frontal, airbagul trebuie deconectat conform instrucțiunilor producătorului vehiculului. Rețineți că unele airbagurile anumitor vehicule pot fi deconectate nu mai într-un atelier de service autorizat.

\* Articolul 117 al Regulamentului rutier general din Spania interzice transportul copiilor cu înălțime mai mică decât sau egală cu 135 cm pe scaunele din față ale vehiculelor, fără excepții.



## Puncte de fixare inferioare Informații importante

Punctele de fixare pentru chingile inferioare (LTA) se folosesc pentru a proteja mai bine copiii în mașini, prin asigurarea fixării ferme și stabile, cu centura de siguranță a scaunelor auto pentru copii orientate cu spatele în direcția de mers. Acest lucru îmbunătățește siguranța copiilor în toate tipurile de coliziuni, inclusiv în cazul răsturnărilor și al tamponărilor din spate.

Fixatoarele inferioare reprezintă o metodă consacrată, utilizată pe scară largă în țările nordice, de peste 40 de ani. În 2020 a fost lansat un nou standard internațional pentru fixările inferioare, ISO13216-4:2020. Acest standard descrie cerințele de fixare inferioară, atât pentru scaunele auto, cât și pentru producătorii de mașini și pentru punctele de fixare. Obiectivul este asigurarea compatibilității și a unei modalități de montare sigure și facile în viitor.

Fixatoarele inferioare ale scaunului AXKID MINIKID 4 respectă ISO13216-4:2020 și se potrivesc perfect cu punctele de fixare inferioare din mașini care respectă același standard, ceea ce facilitează instalarea. Chiar dacă mașina dvs. are puncte de fixare care nu respectă standardul, este probabil, deși nu garantat, că fixatoarele inferioare ale AXKID MINIKID 4 se potrivesc cu acestea.

Punctele de fixare inferioare preinstalate în mașini se găsesc adesea pe șinele de scaune, prinse pe podea, dar se folosesc și alte poziții. Pentru informații suplimentare despre punctele de fixare pe care le puteți utiliza, consultați manualul de instrucțiuni al mașinii. Dacă mașina nu are puncte de fixare inferioare preinstalate, puteți monta chingile de fixare inferioare (S) livrate împreună cu AXKID MINIKID 4. Instrucțiunile de montare se găsesc în acest manual. Aceste chingii respectă și standardul ISO13216-4:2020. Instalate corect, asigură același nivel de siguranță ca punctele de fixare preinstalate.

Unii fabricanți de automobile oferă și posibilitatea adaptării punctelor de fixare inferioare. Pentru informații suplimentare, contactați producătorul vehiculului sau dealerul. Separat se pot cumpăra adaptoare de puncte de fixare inferioare și chingii suplimentare Axkid.

**Notă:** Nu utilizați niciodată AXKID MINIKID 4 fără să-l prindeți cu fixatoarele inferioare. Acestea sunt importante pentru siguranță și trebuie folosite ori de câte ori se montează scaunul de copil în mașină.

# Montarea chingilor de fixare inferioare

Dacă mașina nu are puncte de fixare inferioare preinstalate, puteți monta chingile de fixare inferioare livrate împreună cu AXKID MINIKID 4. În funcție de vehicul și de scaunul ales pentru montarea scaunului de copii, chingile de fixare inferioare se pot prinde în diferite puncte de ancorare. Alternativele sunt descrise mai jos.

Pentru a monta chingile de fixare inferioare (S), este suficient să așezați chinga în jurul punctului de ancorare ales și să treceți piesa metalică de fixare printr-una dintre fantele chingii. Chinga de fixare are mai multe fante. Asigurați-vă să utilizați fanta cea mai apropiată de piesa metalică de fixare, astfel încât piesa să stea cât mai aproape de podeaua vehiculului. După ce ați realizat acest lucru, trageți de piesa metalică de fixare ca să strângeți chinga, apoi repetați procesul pentru a monta cealaltă chingă. Ori de câte ori instalați AXKID MINIKID 4, folosiți ambele puncte de fixare și alegeți puncte separate pentru ca scaunul pentru copii să stea mai stabil.

## Opțiuni de amplasare a chingilor de fixare

alt. **a** Așezați chinga în jurul marginii punctului de fixare preinstalat (utilizați această metodă numai dacă punctele de fixare preinstalate nu se potrivesc direct cu fixatoarele inferioare)

alt. **b** Așezați chinga în jurul șinei scaunului din fața scaunului pentru copii: treceți chinga între șina scaunului și podeaua mașinii sau prin orificiul corespunzător din șină.

alt. **c** Așezați chinga în jurul articulației scaunului din fața scaunului auto pentru copii: treceți chinga între spătarul și perna de șezut.

alt. **d** Așezați chinga în jurul șinei scaunului de sub scaunului pentru copii: treceți chinga între șina scaunului și podeaua mașinii sau prin orificiul corespunzător din șină.

alt. **e** Dacă montați AXKID MINIKID 4 pe scaunul pasagerului din față și se poate folosi niciuna dintre alternativele de mai sus, puteți să prindeți chingile de fixare inferioare în punctele de ancorare potrivite din spatele mașinii și să le treceți sub scaunul de mașină, spre partea din față a vehiculului. Chingile de fixare trebuie să iasă în fața scaunului, nu în părțile laterale.

**Notă:** Aveți grijă întotdeauna ca schimbarea poziției vreunuia dintre scaunele mașinii să nu afecteze și să nu deterioreze chingile de fixare inferioare

**Notă:** Nu folosiți niciodată obiecte ascuțite pentru a așeza chingile pentru că le pot deteriora.



# Instalarea scaunului auto AXKID MINIKID 4 în vehicul

Înainte de a instala AXKID MINIKID 4, asigurați-vă că aveți puncte de fixare inferioare în vehicul. Consultați secțiunea din acest manual care prezintă punctele de fixare inferioare. Secțiunea respectivă conține mai multe informații și instrucțiuni de instalare.

1

Desfaceți fermoarul și deschideți capacul clemei de centură (O)

2

Puneți AXKID MINIKID 4 pe scaunul din mașină, cu spătarul spre partea din față a vehiculului. Deplasați scaunul din mașină înainte sau înapoi, astfel încât copilul să aibă suficient loc pentru picioare. AXKID MINIKID 4 se poate monta astfel încât să atingă spătarul scaunului din mașină, dar nu se va instala niciodată cu baza (J) depășind marginea scaunului din mașină. Aveți grijă ca linia verticală (K) de pe bază (J) nu depășește niciodată marginea scaunului din mașină.

Reglați unghiul de inclinare a scaunului auto: apăsați pârghia de reglare (G) și alegeți o poziție corespunzătoare. Pentru siguranță maximă, alegeți o poziție cât mai apropiată de verticală, dar asigurați-vă că, în cazul în care adoarme, capul copilului nu va cădea înainte. Din considerente de confort și siguranță, unghiul trebuie adus mai aproape de verticală pe măsură ce copilul crește. Nu uitați că, atunci când întindeți fixatoarele inferioare (M), scaunul auto se va înclina un pic mai mult, pentru că se va lăsa pe perna de șezut a scaunului din mașină. În cazul în care montați AXKID MINIKID 4 pe scaunul pasagerului din față, este posibil, deși nu obligatoriu, ca spătarul scaunului auto pentru copii să atingă bordul.

3

Deschideți clema de centură (N). Trageți centura de siguranță a scaunului din mașină (cam o lungime de braț) și treceți-o prin cea fanta de centură cea mai apropiată de dvs. (D). Treceți centura prin clema (N), apoi prin fanta de centură (D) din cealaltă parte. Prindeți centura de siguranță cu catarama și trageți puternic de partea care vine pe umăr, astfel încât centura să se întindă complet, ca să fixați scaunul auto. Cu cât trageți mai puternic, cu atât mai ferm va sta scaunul auto. După ce ați fixat bine scaunul auto, închideți clema de centură (N) și blocați în poziție centura de siguranță. Asigurați-vă că atât porțiunea care bine pe umăr, cât și cea abdominală sunt blocate corect în clema de centură (N). Închideți capacul clemei de centură (O) și închideți fermoarul. Ca montarea să fie și mai fermă și stabilă, apăsați în joc scaunul auto atunci când trageți de centura de siguranță.

4

Scoateți fixatoarele inferioare (M) din scaunul auto și legați-le la punctele de fixare inferioare din vehicul. Pentru informații suplimentare, consultați secțiunea despre punctele de fixare inferioare, din acest manual. Apăsați scaunul auto în jos și mișcați-l în stânga și în dreapta. Fixatoarele inferioare (M) AXKID MINIKID 4 se vor tensiona automat. Prin tensionarea fixatoarelor inferioare (M) stabiliți și unghiul final de inclinare a scaunului auto. Împingeți scaunul de copii în scaunul din mașină până când se fixează ferm și ați obținut unghiul de inclinare corespunzător. Asigurați-vă că marcajul alb de centura de jos rămâne vizibil. Dacă nu se vede, punctele de fixare inferioare sunt prea aproape de scaunul auto și necesită reglare. Dacă acest lucru nu este posibil, puteți să încrușiți chingile inferioare în spatele scaunului auto pentru a obține o distanță mai mare.

5

Extindeți piciorul de sprijin (P) al scaunului auto. Apăsați butonul piciorului de sprijin (Q) și trageți piciorul (P) în jos, până când atinge podeaua vehiculului. Eliberați butonul piciorului de sprijin (Q) și ridicați scaunul auto pentru a întinde și mai mult piciorul de sprijin (P) până când auziți un clic. În acest moment piciorul de sprijin (P) trebuie să fie blocat și apăsat ferm în podeaua vehiculului. Asigurați-vă că piciorul de sprijin (P) stă sub un unghi de aproximativ 10° față de partea din față a vehiculului. Verificați din nou centura de siguranță pentru a vă asigura că este bine întinsă, că partea abdominală nu s-a lăsat în timpul tensionării fixatoarelor inferioare și a piciorului de sprijin. Dacă centura de siguranță nu mai este bine întinsă, repetați, pur și simplu, pasul 2 din acest ghid, fără a decupla fixatoarele inferioare.

6

Împingeți protecția ASIP (I) în fantele conectorului ASIP (L) și glesați-o în jos. Protecția ASIP (I) se va fixa cu un clic. În cazul în care conectorul ASIP (L) are un capac de plastic, scoateți-l și puneți-l pe conectorul ASIP (L) în partea opusă scaunului, înainte de a monta protecția ASIP (I). Asigurați-vă că protecția ASIP (I) este fixată lateral pe scaunul AXKID MINIKID 4, pe partea mai apropiată de portiera vehiculului.



# Fixarea copilului în scaunul auto AXKID MINIKID 4

Înainte de a așeza copilul în scaunul auto AXKID MINIKID 4, asigurați-vă că ați montat inserția corectă. Scaunul AXKID MINIKID 4 a fost proiectat astfel încât să crească odată cu copilul și să-i asigure confort și siguranță. Axkid recomandă utilizarea inserției până când devine prea strânsă pentru copil, dar cel puțin până la înălțimea menționată în tabelul de mai jos (atenție: vârsta este dată doar cu titlu informativ):

Vârsta	Înălțime	
Copil mic 0-3 ani	61-105 cm	
Copil 3-7 ani	106 - 125 cm	

AXKID MINIKID 4 este prevăzut cu o tetieră automată (A) care coboară în poziția corectă atunci când se strânge hamul. Pentru a asigura potrivirea optimă, Axkid vă recomandă să utilizați această funcție ori de câte ori puneți copilul în scaunul auto. Înainte de a așeza copilul în scaunul auto, asigurați-vă că tetiera automată (A) este în poziția deblocat. Pentru informații suplimentare, consultați secțiunea despre reglarea tetierei (A).

7

Asigurați-vă că pârghia de blocare a tetierei (H) este deblocată. Dacă este blocată, împingeți de pârghia în poziția deblocat.

8

Lărgiți hamul: apăsați butonul de deblocare (E) și scoateți simultan cele două chingi de umăr (R). Aveți grijă să trageți de cele două chingi de umăr (R) în același timp, altfel pot deveni inegale. Asigurați-vă că tetiera (A) este împinsă în sus, până la capăt.

9

Deblocați catarama hamului apăsând butonul de deblocare a acesteia (C) și așezați chingile în afara scaunului.

10

Așezați copilul pe scaun și puneți-i chingile de umăr (R) peste umeri. Blocați hamul: imbrinați întâi părțile de cataramă de pe chingile de umăr (R), apoi împingeți-le în cataramă, până când se aude un clic.

11

Trageți de chingile de umăr (R) pentru a strânge hamul peste soldurile copilului. Păstrând tensiunea în chingile de umăr (R), trageți de chinga de tensionare a hamului (F) direct din scaunul auto, până când hamul este suficient de strâns: nu trebuie să intre mai mult de un deget între chingile de umăr (R) și umerii copilului. Când tensionați hamul, tetiera (A) coboară automat în poziția corectă pentru copil.



# Reglarea tetierei

AXKID MINIKID 4 are o tetieră automată (A). Tetiera (A) se va așeza mereu în poziția optimă pentru copil. Atunci când strângeți hamul, tetiera (A) va coborî la înălțimea corectă și se va bloca automat în poziție. Atunci când slăbiți hamul, tetiera (A) va reveni în poziția superioară și se va debloca. Pentru a asigura potrivirea optimă, Axkid vă recomandă să utilizați această funcție ori de câte ori puneți copilul în scaunul auto.

Tetiera (A) nu se deblochează decât în poziția superioară. De aceea, este important să vă asigurați că tetiera (A) a ajuns în poziția de sus atunci când slăbiți hamul. În caz contrar, tetiera (A) va rămâne blocată și nu va coborî la strângerea hamului.

Dacă doriți să dezactivați funcția de reglare automată și să păstrați tetiera (A) într-o poziție fixă, aduceți tetiera (A) în poziția dorită, apoi treceți pârghia de blocare a tetierei (H) în poziția blocat. Tetiera (A) este blocată pe înălțime și nu se va mișca până când nu readuceți pârghia de blocare a tetierei (H) în poziția deblocat.

Dacă utilizați AXKID MINIKID 4 cu tetiera (A) în poziție fixă, asigurați-vă că aceasta este așezată la înălțimea corectă pentru copil. Asigurați-vă că chingile de umăr (R) trec prin spătar la înălțimea umerilor copilului sau la cel mult 1 cm deasupra. Dacă nu este așa, reglați tetiera (A): treceți pârghia de blocare a tetierei (H) în poziția deblocat și împingeți tetiera (A) în sus, până la capăt, pentru a o debloca, apoi repetați procedura.



# Scoaterea scaunului auto AXKID MINIKID 4 din vehicul

- Desfaceți fermoarul și deschideți capacul clemei de centură (O). Desfaceți centura de siguranță: apăsați butonul roșu din cataramă. Deschideți clema de centură (N) și trageți de centura de siguranță. Treceți centura prin fantele de centură (D) pentru a o scoate din scaunul auto.
- Deblocați fixatoarele inferioare (M): țineți conectoarele cu mâna și apăsați butonul roșu, cu degetul mare. Țineți conectorul cu mâna și conduceți-l încet înapoi spre scaunul auto. Aveți grijă să nu dați drumul conectorului fixatorului inferior pentru că se va retrage automat, cu viteză mare.
- Împingeți piciorul de sprijin (Q) și strângeți-l (P) astfel încât să ajungă la lungimea minimă.
- Apăsați pârghia de reglare a înclinării (G) și împingeți reglajul (T) în poziția cea mai scurtă. Ridicați AXKID MINIKID 4 și scoateți-l din vehicul.

**Sfat:** Blocați catarama hamului și strângeți hamul înainte de a scoate scaunul auto din vehicul. Ulterior, puteți folosi chingile de umăr (R) ca mâner, ceea ce facilitează scoaterea scaunului auto și transportul acestuia în afara vehiculului.

**Important:** Nu transportați niciodată scaunul auto ținându-l de tetieră (A)

## Reciclarea scaunului auto.



Axkid recomandă insistent reciclarea scaunelor auto vechi. Înainte de a părăsi scaunul la stația de reciclare locală, tăiați curelele hamului de pe scaun, îndepărtați husa textilă, îndepărtați cât mai multe părți din spumă de polistiren, separați părțile metalice și din plastic dacă este posibil. Partea principală a scaunului ar trebui să fie marcată ca nesigură sau expirată (folosește un marker) pentru a descuraja pe oricine să-l folosească din nou. Vă rugăm să verificați regulile municipale locale pentru instrucțiuni de reciclare pentru diferitele materiale.





# Îngrijire și întreținere

Husa din material textil se poate spăla în mașină, la 30 °C, folosind un program pentru materiale delicate. Nu puneți husa într-un uscător rotativ: se poate deteriora, iar căptușeala se poate separa de țesătură. La [www.axkid.com](http://www.axkid.com) veți găsi videoclipuri care prezintă scoatere și atașarea husei.

## Scoateți husa din material plastic:

- Dacă este montată, scoateți protecția ASIP (I).
- Treceți pârghia de blocare a tetierei (H) în poziția deblocat și lărgiți hamul: apăsați butonul de deblocare (E) și scoateți simultan cele două chingi de umăr (R).
- Desfaceți cele două fermoare din partea de jos a tetierei (A) și trageți cu grijă husa de pe tetieră (A).
- Coborâți tetiera (A) până la capăt, apoi treceți pârghia de blocare (H) în poziția blocat.
- Desfaceți catarama hamului apăsând butonul de deblocare a acesteia (C) și scoateți capacul de cataramă.
- Desfaceți fermoarul și deschideți capacul clemei de centură (O), apoi scoateți capacul de plastic (O) din husa din material textil.
- Desfaceți fermoarul de sub scaunul auto și desfaceți cele 4 capse de pe husa din material textil, în partea din spate a scaunului auto.
- Desfaceți cele două fermoare de la spătar, din interiorul scaunului auto, apoi scoateți cu grijă husa de pe scaunul auto. Aveți grijă în jurul protecției ASIP și al celorlalte capace de plastic: nu trageți tare ca să nu deteriorați husa din material textil.
- Desfaceți căptușelile de umăr și îndepărtați-le cu grijă de pe prinderea cu scai.

## Instalarea husei din material plastic

- Parcurgeți, în ordine inversă, instrucțiunile de mai sus pentru a pune husa din material textil înapoi pe scaunul auto.
- Observație: căptușelile pentru umeri se pot monta în diferite poziții. Puneți-le într-o poziție potrivită pentru copil: peste umărul și pe pieptul copilului. De asemenea, aveți grijă ca partea cauciucată a căptușelii de umăr să fie întoarsă spre pieptul copilului.

Dacă husa din material a scaunului auto trebuie înlocuită, asigurați-vă că sunt utilizate numai produse originale de la Axkid. Dacă sunt utilizate alte produse, sistemul de siguranță al scaunului auto AXKID MINIKID 4 poate fi compromis și pot apărea vătămări grave în caz de accident.

Componentele din plastic ale scaunului auto AXKID MINIKID 4 pot fi curățate cu detergent ușor și apă. Nu utilizați substanțe chimice agresive care conțin solvenți etc. deoarece pot deteriora plasticul și pot compromite siguranța scaunului auto.

# Garanția

Scaunul pentru copii AXKID MINIKID 4 are garanție de 24 de luni de la data cumpărării. Păstrați chitanța și prezentați-o la locul de achiziție dacă aveți orice fel de probleme cu garanția.

- Uzura normală
- Deteriorări cauzate de utilizarea incorectă, neglijență sau accident
- Dacă lucrările de reparații au fost efectuate de către o terță parte
- Toate materialele utilizate au un nivel foarte ridicat de rezistență la raze UV. Cu toate acestea, lumina UV este foarte agresivă și va produce în cele din urmă decolorarea husei scaunului. Acest lucru nu este acoperit de garanție pentru că este considerat uzură normală.
- Manipulați cu atenție scaunul. Nu transportați scaunul auto ținându-l de tetieră (A).

# نشكركم على اختيار كرسي السيارة للأطفال AXKID MINIKID 4

يُرجى قراءة دليل التعليمات هذا قبل تركيب كرسي الأطفال AXKID MINIKID 4 في سيارتك. للحصول على المزيد من المعلومات ومشاهدة مقاطع فيديو حول عملية التركيب، قم بزيارة [www.axkid.com](http://www.axkid.com).

## AXKID MINIKID 4 هو كرسي سيارة موجه للخلف ويعتمد للأطفال

بارتفاع يتراوح ما بين 61 و125 سم

AXKID MINIKID 4 مناسب للاستخدام من سن ستة أشهر تقريبًا، أو من الوقت الذي يستطيع فيه طفلك الجلوس بمفرده دون مساعدة. هذا نظام متكامل معزز بحزام لتقييد حركة الطفل في مركبة محددة. وهو معتمد وفقًا للوائح الأمم المتحدة رقم 129، من أجل الاستخدام في أماكن الجلوس المتوافقة بالسيارة كما هو موضح في قائمة المركبات.

إن راودك أدنى شك، فاستشر الجهة المصنعة للنظام المعزز لتقييد حركة الطفل ([www.axkid.com](http://www.axkid.com)) أو جهة البيع.

## معلومات هامة

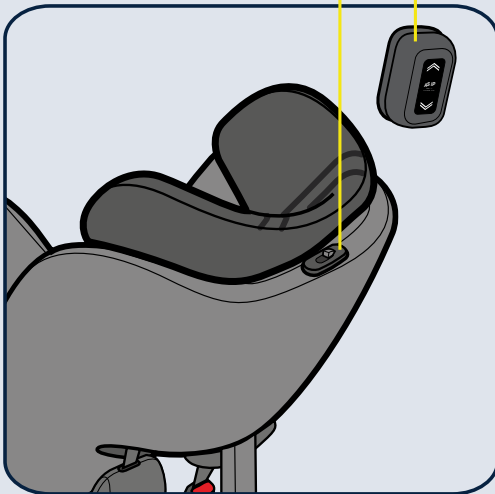
لضمان أقصى قدر من سلامة طفلك، من المهم أن تضع في اعتبارك ما يلي:

- اتبع دائمًا الإرشادات الواردة في هذا الكتيب. قد يتسبب التركيب غير الصحيح للكرسي في تعريض سلامة طفلك لضرر جسيم. في حالة عدم التأكد من أي خطوة أو إجراء، عليك الاتصال ببنافع التجزئة الذي سيكون بإمكانه توضيح طريقة التركيب السليمة.
- احتفظ بدليل التعليمات هذا للرجوع إليه في المستقبل. في حالة فقدان الكتيب، يمكنك إيجاده في الموقع [www.axkid.com](http://www.axkid.com)
- لا تضع كرسي السيارة AXKID MINIKID 4 على مقعد السيارة الأمامي والوسادة الهوائية للراكب الأمامي قيد التشغيل. إذا كنت لا تزال ترغب في تثبيت كرسي السيارة في هذا الموقع، فيجب إيقاف تشغيل الوسادة الهوائية وفقًا لتعليمات شركات تصنيع السيارات AXKID MINIKID 4
- في حالة التعرض لحادث، مهم كما بسيطًا، يجب دائمًا تغيير كرسي السيارة. قد يكون له ضرر غير مرئي، كما يمكن أن يؤثر بشكل خطير في سلامة طفلك. لهذا السبب، لا توهي بشراء كرسي سيارة مستعملة لطفلك Axkid.
- إذا تعرض كرسي السيارة AXKID MINIKID 4 لأشعة الشمس المباشرة، فتأكد من أنه ليس ساخنًا جدًا قبل ربط طفلك فيه.
- لا تترك طفلك مطلقًا في السيارة بمفرده دون مراقبته.
- تأكد من إحكام تثبيت أي أمتعة أو أغراض سائبة في سيارتك؛ حيث إنها قد تتسبب في إلحاق إصابات بالركاب في حالة وقوع حادث.
- تأكد من تثبيت كرسي السيارة AXKID MINIKID 4 بطريقة تضمن عدم تعلق أي أجزاء منه بالمقاعد المتحركة أو أبواب السيارة، أو غير ذلك.
- إذا كنت تستخدم أحزمة تثبيت سفلية، فتأكد من تثبيتها بطريقة لا تتعارض مع حركة أي مقعد في السيارة.
- لا يجوز تثبيت كرسي السيارة AXKID MINIKID 4 إلا في وضعية الجلوس المواجهة للخلف.
- تأكد دائمًا من ضبط حمالة الأمان بما يتلاءم بشكل صحيح مع وزن طفلك. يتم ضبط حمالة الأمان بتحريك دعامة الرأس.
- تأكد من دفع ظهر الطفل نحو كرسي السيارة عند تثبيت طفلك باستخدام حزام الأمان.
- تأكد دائمًا من ربط حمالة الأمان بإحكام على طفلك ومن إقفال الإبزيم بالكامل، ويجب ألا تكون قادرًا على إمساك الأشرطة بيدك.
- تأكد من عدم وجود التواء في حمالة الأمان.
- تأكد دائمًا من أن ساق المسند في موضعه الصحيح وأنها ملائمة لأرضية السيارة. تعد ساق الدعم إحدى خواص السلامة الهامة للغاية، وتُصمَّم بغرض زيادة سلامة طفلك في حالة وقوع حادث.
- لا تحاول فك أو تعديل أي جزء من كرسي السيارة للأطفال AXKID MINIKID 4. فقد يتأثر الضمان وأداء السلامة الخاص بكرسي السيارة Axkid في حالة القيام بذلك.
- لا تستخدم كرسي السيارة للأطفال AXKID MINIKID 4 بدون الغطاء المصنوع من القماش. فغطاء المقعد المصنوع من القماش هو ميزة سلامة ويجب عدم استبداله سوى بغطاء مقعد أصلي مصنوع من القماش من Axkid.
- اقرأ كتيب المركبة وقائمة المركبات على [www.axkid.com](http://www.axkid.com) لمعرفة أماكن الجلوس المناسبة لكرسي السيارة هذا
- توهي شركة Axkid باستخدام واقي الكرسي دائمًا لحماية مقعد سيارتك من الخدوش والقاذورات.
- إن راودك أدنى شك، فاتصل بجهة البيع التي اشترت منها كرسي السيارة أو تواصل مع [info@axkid.com](mailto:info@axkid.com)

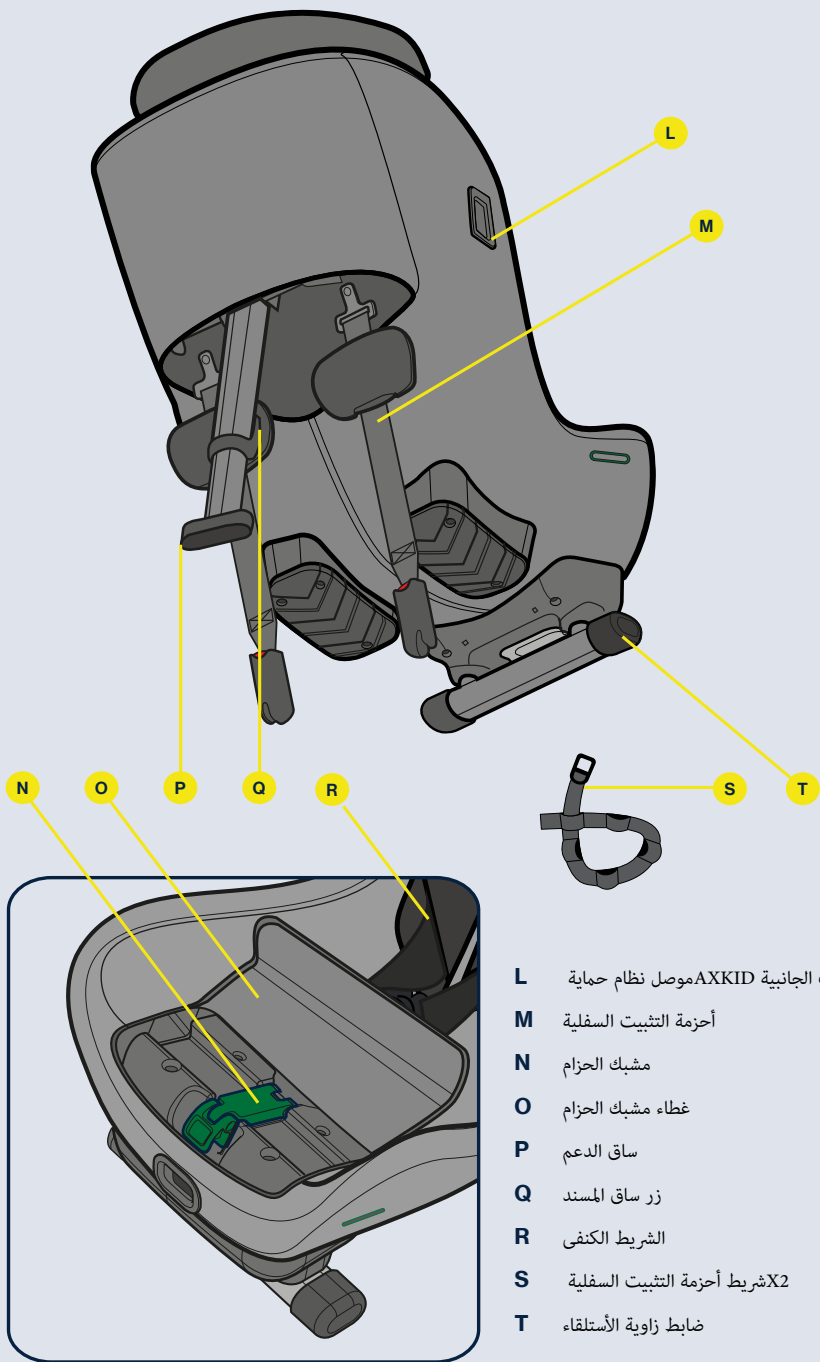
## جدول المحتويات

184	الأجزاء
186	الأوضاع المسموح بها وغير المسموح بها لكرسي السيارة للأطفال AXKID MINIKID 4
186	أحزمة التثبيت السفلية
187	تركيب شرائط أحزمة التثبيت السفلية
189	ربط طفلك في كرسي السيارة AXKID MINIKID 4
190	تعديلات مسند الرأس
190	إخراج كرسي الأطفال AXKID MINIKID 4 من السيارة
191	العناية والصيانة
191	الضمان

## الأجزاء



- A مسند الرأس
- B حمالة الامان المتكاملة
- C زر تحريك الأيزيم
- D فتحة حزام الكرسي
- E زر تحرير حامله الأمان
- F شريط شد حامله الأمان
- G ذراع ضبط الأمان
- H ذراع كبح مسند الرأس
- I من الصدمات الجانبية AXKID وسادة حماية
- J قاعدة الكرسي
- K الخط العمودي



**L** من الصدمات الجانبية AXKID موصل نظام حماية (ASIP)

**M** أحزمة التثبيت السفلية

**N** مشبك الحزام

**O** غطاء مشبك الحزام

**P** ساق الدعم

**Q** زر ساق المسند

**R** الشريط الكتفي

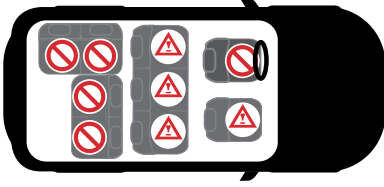
**S** 2X شريط أحزمة التثبيت السفلية

**T** ضابط زاوية الأستلقاء



# الأوضاع المسموح بها وغير المسموح بها لكرسي السيارة للأطفال AXKID MINIKID 4

لا يمكن تركيب كرسي السيارة للأطفال AXKID MINIKID 4 إلا في وضعية الجلوس المواجهة للخلف. سيكون من المناسب تركيبه في أغلب أوضاع الجلوس وليس في جميعها. راجع كتيب إرشادات سيارتك لمعرفة أماكن الجلوس المناسبة وراجع قائمة السيارات على [www.axkid.com](http://www.axkid.com)



نعم/لا*	مقعد الراكب الأمامي (الوسادة الهوائية ليست قيد التشغيل)
لا	مقعد الراكب الأمامي (الوسادة الهوائية قيد التشغيل)
نعم	مقعد الراكب الخلفي مزود بحزام أمان ثلاثي نقاط التثبيت
لا	كرسي مزود بحزام أمان ثنائي نقاط التثبيت
لا	كرسي مواجهة للجوانب والخلف

مهم: إذا كنت ترغب في تثبيت كرسي السيارة AXKID MINIKID 4 في مكان مثبت فيه وسادة هوائية أمامية، فيجب فصل الوسادة الهوائية وفقاً لإرشادات الجهة المصنعة لسيارتك. جدير بالذكر أن بعض السيارات تحتاج إلى الذهاب إلى مركز خدمة معتمد لفصل الوسادة الهوائية.

\* تنص اللائحة العامة للمرور في إسبانيا، في المادة 117، على حظر القيادة مع أطفال بطول قامة يساوي أو يقل عن 135 سم في المقاعد الأمامية للسيارة، دون استثناء.



## أحزمة التثبيت السفلية

### معلومات مهمة

تُستخدم أحزمة التثبيت السفلية في تعزيز حماية الأطفال في الكراسي من خلال توفير تركيب قوي وثابت لكراسي الأطفال المرفقة بحزام أمان والمواجهة للخلف. يزيد هذا من فرص سلامة طفلك في جميع أنواع الاصطدامات، بما في ذلك حوادث الانقلاب والصدمات الخلفية.

أحزمة التثبيت السفلية هي وسيلة قائمة كانت تُستخدم في الدول الإسكندنافية لأكثر من 40 عامًا. وفي عام 2020، ظهرت مواصفة قياسية جديدة لأحزمة التثبيت السفلية. تصف هذه المواصفة القياسية متطلبات أحزمة التثبيت السفلية لكراسي الأطفال، وأيضاً لجهات تصنيع السيارات ونقاط التثبيت الخاصة بها. والغرض من ذلك ISO13216-4:2020 هو زيادة التوافق وضمان طريقة تركيب آمنة وسهلة في المستقبل.

تتوافق أحزمة التثبيت السفلية لكرسي السيارة للأطفال AXKID MINIKID 4 مع ISO13216-4:2020؛ ما يضمن ملاءمة متالية وسهولة التركيب في المركبات المزودة بأحزمة تثبيت سفلية مرعبة مسبقاً تتوافق أيضاً مع هذه المواصفة القياسية. إذا كانت سيارتك تحتوي على نقاط تثبيت لا تتوافق مع المواصفة القياسية، فلا يزال من المحتمل تركيب أحزمة التثبيت ولكن هذا ليس مضموناً. AXKID MINIKID 4 السفلية في غالباً ما توجد أحزمة التثبيت السفلية المرعبة مسبقاً في المركبات على درابزين المقاعد المثبتة على الأرضية، ولكن يتم استخدام أماكن أخرى أيضاً. راجع كتيب إرشادات استعمال سيارتك لمعرفة المزيد من المعلومات عن نقاط التثبيت المستخدمة.

إذا لم تكن في سيارتك أحزمة تثبيت سفلية مرعبة مسبقاً، فإن AXKID MINIKID 4 يأتي مع شرائط أحزمة تثبيت سفلية إضافية يمكن تركيبها في سيارتك. راجع هذا الكتيب الخاص بإرشادات التركيب. تتوافق هذه الأشرطة أيضاً مع ISO13216-4:2020 وعندما يتم تركيبها بشكل صحيح فإنها توفر نفس مستوى الأمان الذي توفره أحزمة التثبيت المرعبة مسبقاً. توفر بعض جهات تصنيع السيارات أيضاً إمكانية إضافة التعديلات على أحزمة التثبيت السفلية. تواصل مع جهة تصنيع سيارتك أو وكيل سيارتك للحصول على مزيد من المعلومات. تعيد AXKID تحديث أحزمة التثبيت السفلية، ويمكن شراء شرائط أحزمة التثبيت السفلية الإضافية بشكل منفصل.

ملاحظة: لا تستخدم AXKID MINIKID 4 بدون أحزمة التثبيت السفلية. فهي من خصائص السلامة المهمة، ويجب استخدامها دائماً عند تركيب كرسي الأطفال.

## تركيب شرائط أحزمة التثبيت السفلية

إذا لم تكن في سيارتك أحزمة تثبيت سفلية مناسبة مرگبة مسبقًا، فإن AXKID MINIKID 4 يأتي مع شرائط أحزمة تثبيت سفلية يمكن تركيبها في سيارتك. وتبعًا لسيارتك ومكان المقعد الذي تختار تركيب كرسي الأطفال فيه، هناك مجموعة متنوعة من نقاط التركيب التي يمكن استخدامها لتركيب شرائط أحزمة التثبيت. انظر أدناه للاطلاع على البدائل.

لتركيب أشرطة أحزمة التثبيت السفلية (S)، ما عليك سوى توجيه الشريط حول نقطة التركيب المختارة، وإقحام المثبت المعدني في إحدى الفتحات الموجودة في الشريط نفسه. توجد العديد من الفتحات التي يمكن استخدامها في شريط الحزام. تأكد من استخدام أقرب فتحة للمثبت المعدني، وبالتالي تركيب المثبت المعدني في أقرب مكان ممكن من أرضية السيارة. وبمجرد فعل هذا، اسحب المثبت المعدني لشد الشريط وكرر العملية نفسها للشريط الآخر. استخدم دائمًا نقطتين للتثبيت عند تركيب AXKID MINIKID 4. واختر نقاط تركيب منفصلة لأن هذا يوفر تركيبًا أكثر ثباتًا.

### خيارات توجيه شريط التثبيت

وجه الشريط حول طرف حزام التثبيت المرگب مسبقًا (استخدم هذه الوسيلة فقط إذا كانت أحزمة التثبيت المرگبة مسبقًا لا تتناسب مع أحزمة التثبيت السفلية مباشرة)

at. a

رگب الشريط حول درابزين المقعد أمام كرسي الأطفال من خلال إقحام الشريط بين درابزين الكرسي وأرضية السيارة، أو من خلال الثقب المناسب في درابزين الكرسي.

at. b

رگب الشريط حول مفصلة مقعد السيارة أمام كرسي الأطفال من خلال إقحام الشريط فيما بين ظهر مقعد السيارة ووسادة الكرسي.

at. c

رگب الشريط حول درابزين المقعد أسفل كرسي الأطفال من خلال إقحام الشريط بين درابزين الكرسي وأرضية السيارة، أو من خلال الثقب المناسب في درابزين الكرسي.

at. d

عند تركيب AXKID MINIKID 4 في مقعد الراكب الأمامي وفي حالة عدم توفر أي من البدائل المذكورة أعلاه، يمكنك أن تربط أشرطة أحزمة التثبيت السفلية بنقطة تركيب مناسبة في الجزء الخلفي من السيارة، وتمرر الأشرطة من أسفل مقعد السيارة إلى الجزء الأمامي من السيارة. احرص على أن تخرج أشرطة أحزمة التثبيت من مقدمة الكرسي وليس من جانبيه.

at. e

ملاحظة: تأكد دائمًا من ألا يتداخل تغيير مكان أي مقعد في السيارة مع أشرطة أحزمة التثبيت السفلية المثبتة أو يتلفها

ملاحظة: لا تستخدم أشياء حادة للمساعدة في تمرير الأشرطة لأنها قد تتلف الشريط.



# تركيب كرسي الأطفال 4 AXKID MINIKID في السيارة

احرص قبل تركيب AXKID MINIKID 4 أن تكون هناك أحزمة تثبيت سفلية في سيارتك. راجع قسم أحزمة التثبيت السفلية في هذا الكتيب للحصول على مزيد من المعلومات والاطلاع على إرشادات التركيب.

فك السحاب وافتح غطاء مشبك الحزام (O)

1

ضع AXKID MINIKID 4 على مقعد السيارة بحيث يواجه ظهر كرسي الأطفال مقدمة السيارة. اضبط مساحة مد القدمين لطفلك من خلال تحريك كرسي الأطفال إلى الأمام وإلى الخلف على مقعد السيارة. يمكن تركيب AXKID MINIKID 4 بإحكام على ظهر مقعد السيارة، ولكن لا يجوز تركيبه أبدًا مع تعليق قاعدة الكرسي (L) على حافة مقعد السيارة. احرص على ألا يعبر الخط العمودي (K) في قاعدة الكرسي (J) حافة مقعد السيارة.

2

اضبط زاوية مقعد السيارة بالضبط على ذراع ضبط الإمالة (G) واختيار وضع الإمالة المناسب. لتحقيق أقصى درجات الأمان، اختر وضْعًا قائمًا قدر الإمكان مع ضمان عدم تدلي رأس طفلك إلى الأمام أثناء النوم. ولأسباب تتعلق بالراحة والأمان، يجب تعديل زاوية الإمالة إلى وضع أكثر استقامة مع نمو طفلك. لاحظ أنه عند ربط أحزمة التثبيت السفلية (M)، سيكون مقعد السيارة أكثر ميلًا إلى حد ما عندما يغيص في وسادة مقعد السيارة. عند تركيب AXKID MINIKID 4 في مقعد الراكب الأمامي، فقد يلامس ظهر كرسي الأطفال لوحة القيادة، ولكن ليس بالضرورة أن يحدث ذلك.

افتح مشبك الحزام (N). اسحب طول ذراع من حزام أمان السيارة وأدخله في فتحة حزام الكرسي (D) الأقرب إليك. وجّه الحزام نحو مشبك الحزام (N)، وأدخله في فتحة حزام الكرسي (D) على الجانب المقابل. اربط حزام أمان السيارة بإبزيم حزام الكرسي، واسحب بقوة على جانب الكتف من حزام أمان السيارة للتخلص من أي جزء مرتخ واربط كرسي الأطفال، وكلما سحبت بشكل أقوى، زاد ثبات التركيب. عند ربط كرسي الأطفال بإحكام، احرص على تقريب مشبك الحزام (N) وقفل حزام أمان السيارة في موضعه. احرص على أن يكون حزام الكتف والحجر في وضع القفل معًا في مشبك الحزام (N). أغلق غطاء مشبك الحزام (O) وأغلق السحاب. ولزيادة قوة التركيب وثباته، اضغط على كرسي الأطفال أثناء سحب حزام الكتف.

3

اسحب أحزمة التثبيت السفلية (M) من كرسي الأطفال واربطها بأحزمة التثبيت السفلية في سيارتك، راجع القسم الخاص بأحزمة التثبيت السفلية في هذا الكتيب لمعرفة المزيد من المعلومات. اضغط على الجزء العلوي من كرسي الأطفال وقم بهزه من جانب إلى آخر، وسيتم ربط أحزمة التثبيت السفلية (M) ذاتية الشد في AXKID MINIKID 4 بشكل تلقائي. ومن خلال شد أحزمة التثبيت السفلية (M)، أنت تضبط أيضًا زاوية الإمالة النهائية لكرسي الأطفال. استمر في الضغط على كرسي الأطفال إلى أن يتم ربطه بإحكام، وتكون قد ضبطت زاوية الإمالة المناسبة. تحقق من إمكانية رؤية العلامة البيضاء الموجودة على حزام التثبيت السفلي، وإذا كان من الصعب رؤيتها، فهذا يعني أن أحزمة التثبيت السفلية قريبة للغاية من كرسي الأطفال وبحاجة إلى الضبط. إذا لم يكن ذلك ممكنًا، فيمكنك أيضًا لف أحزمة التثبيت السفلية خلف الكرسي لتوفير مسافة أكبر إلى حد ما.

4

اسحب ساق المسند (P) من كرسي الأطفال. اضغط على زر ساق المسند (Q) واسحب ساق المسند (P) إلى أسفل إلى أن تلامس أرضية السيارة. أقلت زر ساق المسند (Q) وارفك كرسي الأطفال إلى أعلى لتمديد ساق المسند (P) حتى تسمع صوت طقطقة. يجب الآن قفل ساق المسند (P) وضغطه بإحكام على أرضية السيارة. احرص على أن تكون ساق المسند (P) بزاوية 10 درجات تجاه مقدمة السيارة. تحقق من حزام أمان السيارة للتأكد من أنه لا يزال مشدودًا بإحكام، وأنه لا يحدث أي تراج في حزام الوركين في أثناء شد أحزمة التثبيت السفلية وساق المسند. إذا تراخى حزام أمان السيارة قليلًا، فما عليك سوى إعادة شده من خلال تكرار الخطوة رقم 2 من هذا الدليل دون فصل أحزمة التثبيت السفلية.

5

اضغط على وسادة الحماية من الصدمات الجانبية (I) لإدخالها في فتحات موصل الحماية من الصدمات الجانبية (L) ومرر إلى أسفل، وستسمع صوت طقطقة دخول وسادة الحماية من الصدمات الجانبية (I) إلى مكانها. إذا كان هناك غطاء بلاستيكي على موصل الحماية من الصدمات الجانبية (L)، فانزعه وضعه على موصل الحماية من الصدمات الجانبية (L) على الجانب المقابل من الكرسي قبل تركيب وسادة الحماية من الصدمات الجانبية (I). احرص على تركيب وسادة الحماية من الصدمات الجانبية (I) على جانب كرسي الأطفال AXKID MINIKID 4 الأقرب إلى باب السيارة.



6





## ربط طفلك في كرسي السيارة AXKID MINIKID 4

قبل ربط طفلك في كرسي السيارة AXKID MINIKID 4، احرص على تركيب الحشوة المناسبة في الكرسي. تم تصميم كرسي AXKID MINIKID 4 مع توفير إمكانية تكبير حجمه مع نمو طفلك ولضمان توافقه براحة وأمان مع الأطفال. توصي Axkid باستخدام الحشوة إلى أن يصبح المكان ضيقاً للغاية بالنسبة إلى طفلك، لكن بعد أدنى من الطول وفقاً للجدول التالي (لاحظ أن العمر مجرد مؤشر):

السن	الطول	
الطفل في مرحلة الحبو 3-0 سنوات	61-105 سم	
الطفل الصغير 3-7 سنوات	106-125 سم	

AXKID MINIKID 4 مجهز بمسند رأس أوتوماتيكي (A) يخفض نفسه إلى الموضع الصحيح عند شد حمالة الأمان. ولضمان أفضل وضعية للجلوس، توصي Axkid باستخدام هذه الخاصية في كل مرة تربط فيها طفلك. تأكد قبل وضع طفلك في كرسي الأطفال أن مسند الرأس (A) الأوتوماتيكي في وضع إلغاء القفل. راجع قسم مسند الرأس (A) للحصول على مزيد من المعلومات.

7 احرص على ضبط ذراع كبح مسند الرأس على وضع إلغاء القفل. وإذا كان في وضع القفل، فاضغط على الذراع لحين الوصول إلى وضع إلغاء القفل.

8 حرر حمالة الأمان بالضغط على زر تحرير حمالة الأمان (E) واسحب إلى الخارج كلا شريطي الكف (R) في الوقت نفسه. تجنب سحب شريط واحد فقط في كل مرة حيث قد يتسبب ذلك في عدم تساوي طول أشرطة الكف (R). تأكد من الضغط على مسند الرأس (A) إلى أن يصل إلى الوضع العلوي.

9 فك إبزيم حمالة الأمان بالضغط على زر تحرير الإبزيم (C) وضع الأشرطة خارج الكرسي.

10 ضع طفلك في المقعد وضع أشرطة الكف (R) على كتف طفلك. أفل حمالة الأمان بوضع أجزاء الإبزيم المتصلة بأشرطة الكف (R) معاً أولاً ثم دفعها في الإبزيم إلى أن تسمع صوت تكة.

11 اسحب الأشرطة الكتفية (R) لشد حمالة الأمان على وركي طفلك. وفي أثناء الإبقاء على شد الأشرطة الكتفية (R)، اسحب شريط شد حمالة الأمان (F) بشكل مستقيم من كرسي الأطفال إلى أن تكون حمالة الأمان محكمة بشكل كافٍ، ويجب ألا تكون قادراً على وضع أكثر من إصبع بين الأشرطة الكتفية (R) وكتفي طفلك. أثناء شد حمالة الأمان، يتحرك مسند الرأس (A) تلقائياً إلى أسفل إلى الموضع الصحيح لطفلك.



## ضبط مسند الرأس

AXKID MINIKID 4 مجهز بمسند رأس أوتوماتيكي (A) يضمن اتخاذ مسند الرأس (A) دائمًا لأفضل وضعية ممكنة لطفلك. عند شد حمالة الأمان، سينزل مسند الرأس (A) بنفسه إلى الارتفاع الصحيح ويثبت في وضعه تلقائيًا. وعند فك حمالة الأمان، سيرتفع مسند الرأس (A) ثانية إلى موضعه العلوي ويثبت هناك. ولضمان أفضل وضعية للجلوس، توصي Axkid باستخدام هذه الخاصية في كل مرة تربط فيها طفلك.

لا يقوم مسند الرأس (A) بإلغاء القفل إلا في موضعه العلوي. لذلك من المهم التأكد من أن مسند الرأس (A) يتحرك إلى آخر مداه حتى الموضع العلوي عند فك حمالة الأمان، وإلا فإن مسند الرأس (A) سيبقى مغلقًا ولن يتحرك إلى أسفل عند شد حمالة الأمان.

إذا أردت إلغاء تنشيط ميزة الضبط التلقائي والاحتفاظ بمسند الرأس (A) في وضع ثابت، فضع مسند الرأس (A) في الوضع المرغوب فيه وحول ذراع كبح مسند الرأس (H) إلى وضع القفل. ارتفاع مسند الرأس (A) في وضع القفل الآن، ولن يتحرك حتى تعيد ذراع كبح مسند الرأس (H) إلى وضع إلغاء القفل مرة أخرى.

عند استخدام AXKID MINIKID 4 مع تثبيت وضع مسند الرأس (A)، تأكد من وضع مسند الرأس (A) في الارتفاع المناسب لطفلك. تأكد من خروج الأشرطة الكتفية (R) إلى الكربي مباشرة من كتفي طفلك أو من مسافة 1 سم على الأكثر فوقهما. وإذا لم يكن الأمر كذلك، فاضبط مسند الرأس (A) عن طريق تحويل ذراع كبح مسند الرأس (H) إلى وضع إلغاء القفل ودفع مسند الرأس (A) إلى الوضع العلوي لإلغاء القفل وتكرار العملية بعد ذلك.



## إخراج كرسي الأطفال AXKID MINIKID 4 من سيارتك

- فك السحاب وافتح غطاء مشبك الحزام (O). فك حزام أمان السيارة بالضغط على الزر الأحمر الموجود على إبزيم حزام الأمان. افتح مشبك الحزام (N). واسحب حزام أمان السيارة من فتحات حزام لنزعه من كرسي الأطفال (D) الكربي.
- فك أحزمة التثبيت السفلية (M) عن طريق الإمساك بالموصلات بيدك والضغط على الزر الأحمر بإبهامك. ومع إبقاء الموصل في يدك، أعدده ببطء إلى كرسي الأطفال. احرص على عدم إفلات موصل حزام التثبيت السفلي، حيث إنه سيتراجع تلقائيًا بسرعة عالية.
- اضغط على زر ساق المسند (Q)، وانخفض ساق المسند (P) إلى أقصر وضع لها.
- اضغط على ذراع ضبط الإمالة (G) وادفع ضابط زاوية الإمالة (T) إلى الداخل للوصول إلى أقصر وضع لها. ارفع AXKID MINIKID 4 من السيارة.

نصيحة: افقل إبزيم حمالة الأمان وشد حمالة الأمان قبل نزع كرسي الأطفال من السيارة. يمكنك بعد ذلك استخدام الأشرطة الكتفية (R) لمقبض للحمل؛ ما يسهل رفع كرسي الأطفال ونقله إلى خارج السيارة.

مهم: لا تحمل كرسي الأطفال عن طريق الإمساك بمسند الرأس (A)

إعادة تدوير مقعد سيارتك



توصي شركة أكسيد بشدة بإعادة تدوير مقاعد السيارات القديمة. قبل مغادرة المقعد في محطة إعادة التدوير المحلية، قم بقطع أحزمة الحزام من المقعد، قم بإزالة غطاء النسيج، وقيم بإزالة أكبر عدد ممكن من أجزاء الستائر وفوم، وافصل الأجزاء المعدنية والبلاستيكية إن أمكن. يجب وضع علامة على الجزء الرئيسي من المقعد غير آمن أو منتهى الصلاحية (استخدم علامة) لردع أي شخص من استخدامه مرة أخرى. يرجى مراجعة إرشادات البلدية المحلية الخاصة بالحصول على تعليمات إعادة التدوير للمواد المختلفة.



## العناية والصيانة

يمكن غسل غطاء الكرسي المصنوع من القماش في الغسالة على درجة حرارة 30 درجة مئوية في دورة خفيفة. لا تضع الغطاء في مجفف الملابس نظراً لأنه قد يؤدي إلى إتلاف الغطاء فضلاً عن إمكانية انفصال البطانة عن القماش. تفضل بزيارة [www.axkid.com](http://www.axkid.com) للتعرف على مقاطع فيديو توضح كيفية فك الغطاء وتركيبه.

### انزع الغطاء المصنوع من القماش:

- انزع وسادة الحماية من الصدمات الجانبية (B) إذا كانت موصولة.
- اضع ذراع كبح مسند الرأس (H) الأوتوماتيكي إلى وضع الغاء القفل، وحرر حمالة الأمان بالضغط على زر تحرير حمالة الأمان (E) واسحب إلى الخارج كلاً شريطي الكنتف (F) في الوقت نفسه.
- فك السحابين الموجودين على الجانب السفلي من مسند الرأس (A) واسحب الغطاء بعناية من فوق مسند الرأس (A).
- أنزل مسند الرأس (A) إلى أدنى وضع وحوّل ذراع كبح مسند الرأس (H) الأوتوماتيكي إلى وضع القفل.
- فك إبرزيم حمالة الأمان بالضغط على زر تحرير الإبرزيم (C) وانزع غطاء الإبرزيم.
- فك السحاب، وافتح غطاء مشبك الحزام (O)، وانزع الغطاء البلاستيكي من الغطاء المصنوع من القماش.
- فك السحاب الموجود أسفل كرسي الأطفال وافتح الأزرار الأربعة الموجودة على الغطاء المصنوع من القماش على الجانب الخلفي من كرسي السيارة للأطفال.
- فك السحابين الموجودين في مسند الظهر على الجزء الداخلي من كرسي الأطفال، وانزع الغطاء المصنوع من القماش برفق من كرسي الأطفال. كن حذراً أثناء التعامل مع وسادة الحماية من الصدمات الجانبية والأغطية البلاستيكية الأخرى حتى لا تتلف الأقمشة، ولا تسحبها بقوة.
- افتح وسادتي الكنتفين، وانزعهما برفق من **Velcro**.

### ركّب الغطاء المصنوع من القماش

- اعدس الخطوات الواردة أعلاه لتركيّب الغطاء على كرسي الأطفال مرة أخرى.
- لاحظ أنه يمكن تركيب وسادتي الكنتفين في أوضاع مختلفة. ركبهما في وضع مناسب لطفلك، ويجب وضع وسادتي الكنتفين أعلى الكنتفين وعلى صدر طفلك. احرص أيضاً على أن يكون الجانب المطاطي من وسادة الكنتف في مواجهة صدر طفلك.

فقط، في حالة استخدام منتجات أخرى، قد يؤثر ذلك بالسلب في نظام السلامة الخاص بكرسي السيارة Axkid. إذا أردت تغيير غطاء الكرسي المصنوع من القماش، فاحرص على استخدام منتجات أصلية من وقد تحدث إصابة خطيرة في حالة وقوع حادث، Axkid MINIKID 4 للأطفال لا يمكن تنظيف أي أجزاء بلاستيكية لكرسي السيارة Axkid MINIKID 4 بمنظف خفيف وماء. لا تستخدم مواد كيميائية قوية تحتوي على مركبات مذيبة أو ما شابه؛ حيث إنها قد تتسبب في إتلاف الأجزاء البلاستيكية وتؤثر بالسلب في سلامة كرسي السيارة.

## الضمان

كرسي السيارة للأطفال Axkid MINIKID 4 مشمول بضمان لمدة 24 شهراً من تاريخ الشراء. تأكد من حفظ الإيصال وإحضاره إلى مكان الشراء إذا كانت لديك أي مشكلات تتعلق بالضمان لا يعطيها الضمان.

- البلى والتلف العادي
- التلف نتيجة الاستخدام غير الصحيح أو الإهمال أو الحوادث
- إذا كان قد تم إجراء الإصلاحات بواسطة جهة خارجية
- جميع المواد المستخدمة تتسم بتصنيف مرتفع للغاية من حيث مقاومة الأشعة فوق البنفسجية. بيد أن ضوء الأشعة فوق البنفسجية هو ضوء قوي للغاية وسيؤدي في النهاية إلى بهتان غطاء المقعد. لا يعطي الضمان الخاص بنا هذا التلف نظراً لأنه يعتبر من أنواع البلى والتمرق الناتجة عن الاستخدام العادي.
- تعامل مع المقعد بحرص. لا تحمل الكرسي عن طريق الإمساك بمسند الرأس (A).

## AXKID MINIKID 4 をお買い上げいただきありがとうございます。

AXKID MINIKID 4チャイルドシートの車両取付け前に、この取扱説明書をお読みください。  
詳細な情報やチャイルドシートの設置方法は [www.axkid.com](http://www.axkid.com) にてご確認ください。

AXKID MINIKID 4チャイルドシートは後ろ向きに取り付けるタイプのチャイルドシートで、身長61～125cmまたは体重36kgまでのお子様を対象としています。

AXKID MINIKID 4は、生後約6ヶ月以上、またはお子様が支えを必要とせずに自立して座ることができるようになった頃からの使用に適しています。本製品は一体型の特殊車両用ベルト式強化型チャイルドシートシステムを採用しています。本製品は、UN（国連）協定規則No.129に基づき、車種一覧に記載された適合車両の座席で使用することが承認されています。不明な点がある場合、強化型チャイルドシートシステムの製造元（[www.axkid.com](http://www.axkid.com)）または販売店にお問い合わせください。

## 必ずお読みください

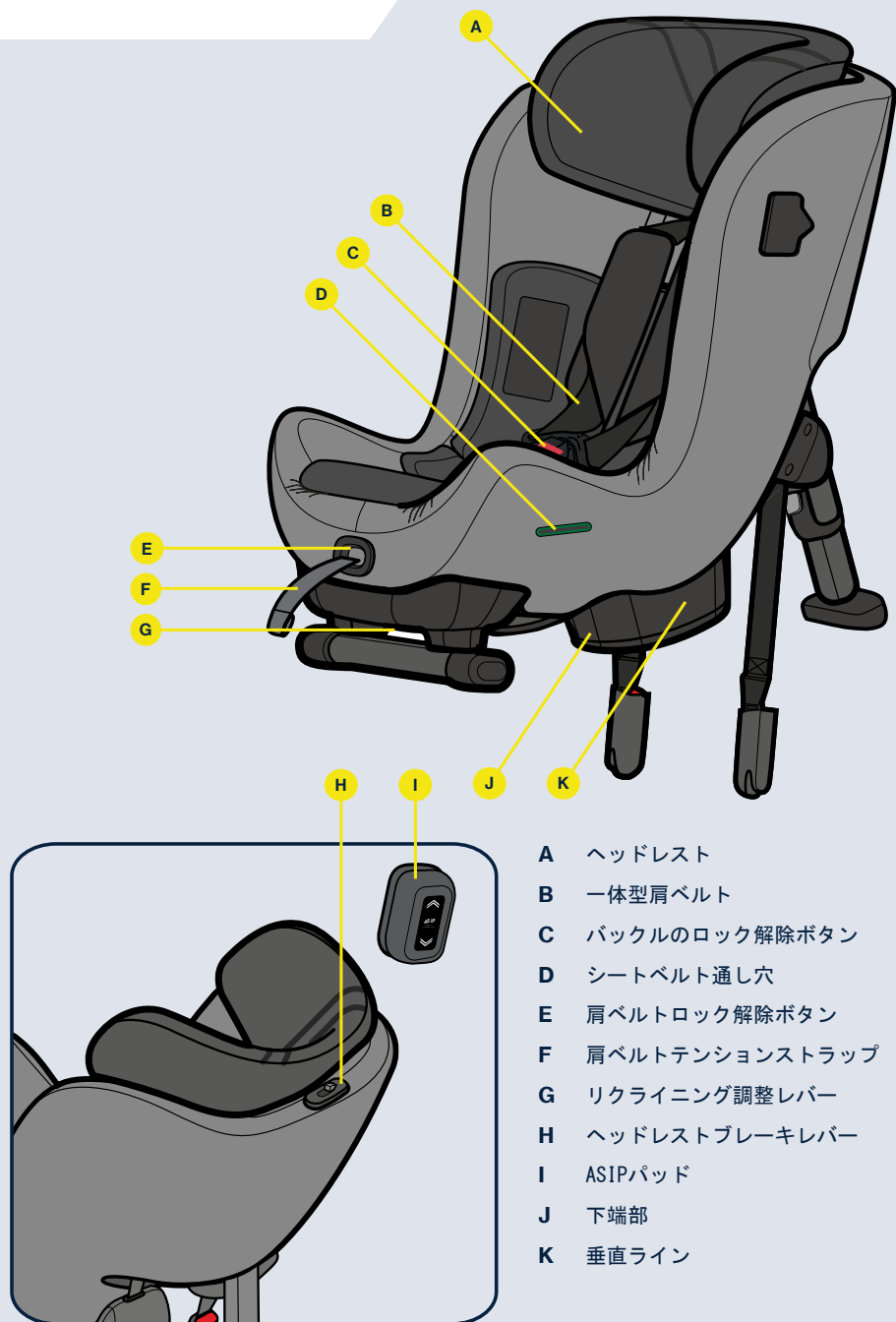
お子様の安全を最大限確保するために、以下のことに注意してください。

- 必ず、この取扱説明書の指示に従ってお取り扱いください。誤った取り付け方をすると、お子様の安全に重大な影響を与える可能性があります。ご不明点がある場合には、販売店に正しい取り付け方をご相談ください。
- この取扱説明書は、いつでも見られるように保管してください。取扱説明書を紛失した場合は、[www.axkid.com](http://www.axkid.com) からオンラインでも検索いただけます。
- 前面衝突エアバッグが設置されている座席では、AXKID MINIKID 4チャイルドシートを使用しないでください。どうしてもその座席にAXKID MINIKID 4チャイルドシートを取り付ける必要がある場合には、自動車メーカーの指示に従い、必ずエアバッグ機能をオフに設定してください。
- 何らかの事故があった場合、どんなに小さな事故であっても、チャイルドシートは必ず交換してください。見た目には分からない損傷があり、お子様の安全確保に重大な影響を及ぼす可能性があります。このような理由から、AXKIDは中古のチャイルドシートの購入をお勧めしていません。
- AXKID MINIKID 4チャイルドシートが一定期間直射日光に当たっていた場合、お子様を乗せる前にチャイルドシートが熱くなりすぎていることを確認してください。
- 決して、お子様を車内に放置しないでください。
- 事故の際、乗車されている方が怪我をしないように、荷物や動きやすい物は車内に固定するようにしてください。
- AXKID MINIKID 4チャイルドシートの部品が、可動式の座席や車のドアなどに挟まれないように設置してください。
- ロウワーテザーアンカーを使用して固定する場合には、他の座席の動きに干渉しないように設置してください。
- AXKID MINIKID 4チャイルドシートは、必ず後ろ向き取り付けてください。
- お子様の身体に正しくフィットするように、必ず肩ベルトの調整をしてください。肩ベルトはヘッドサポートを動かして調整します。
- 肩ベルトを調整する際、お子様の背中がチャイルドシートにしっかりと密着していることを確認してください。
- 肩ベルトがしっかりと締められていること、バックルが完全にロックされていることを常に確認し、ストラップをつまむことができる余裕がないようにします。
- 肩ベルトにねじれがないことを確認してください。
- サポートレッグが正しい位置にあり、車の床に接触していることを必ず確認してください。サポートレッグは、事故の際にお子様の安全を最大限確保するために設計された、非常に重要な安全機能の一部です。
- AXKID MINIKID 4チャイルドシートの部品は、どんなに小さな部品であっても分解および改造はしないでください。AXKID MINIKID 4チャイルドシートの保証および安全性に影響を与える危険性があります。
- シートカバーなしでAXKID MINIKID 4チャイルドシートを使用しないでください。シートカバーは安全機能の一部であり、交換の際には必ずAXKID純正のシートカバーとのみ交換するようにしてください。
- 車の取扱説明書、および車種一覧([www.axkid.com](http://www.axkid.com))を参照して、このチャイルドシートに適した座席位置を確認してください。
- AXKIDは、車のシートを傷や汚れから守るために、常にシートプロテクションを使用することを推奨しています。
- ご不明な点がある場合は、チャイルドシートを購入された販売店、または [info@axkid.com](mailto:info@axkid.com) までお問い合わせください。

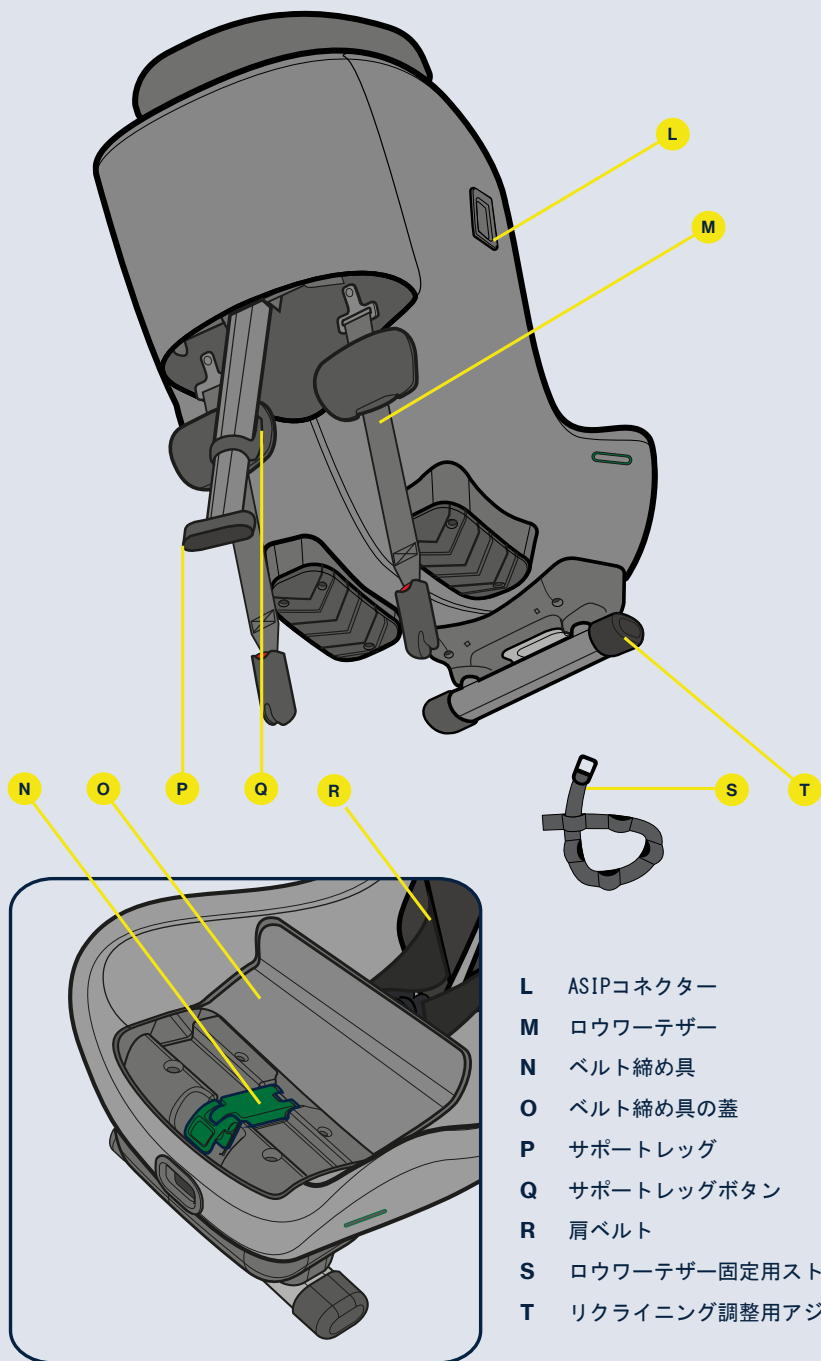
# 目次

各部の名称	194
AXKID MINIKID 4チャイルドシートを取り付け可能な位置、不可能な位置	196
ロウワーテザーアンカー	196
ロウワーテザーアンカーを使用した固定	197
AXKID MINIKID 4チャイルドシートを取り付ける	198
AXKID MINIKID 4チャイルドシートにお子様をしっかり固定する	199
ヘッドレストの調整	200
AXKID MINIKID 4チャイルドシートを取り外す	200
お手入れとメンテナンス方法	201
保証について	201

# 各部の名称



- A ヘッドレスト
- B 一体型肩ベルト
- C バックルのロック解除ボタン
- D シートベルト通し穴
- E 肩ベルトロック解除ボタン
- F 肩ベルトテンションストラップ
- G リクライニング調整レバー
- H ヘッドレストブレーキレバー
- I ASIPパッド
- J 下端部
- K 垂直ライン



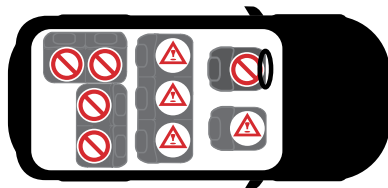
- L ASIPコネクター
- M ロウワーテザー
- N ベルト締め具
- O ベルト締め具の蓋
- P サポートレッグ
- Q サポートレッグボタン
- R 肩ベルト
- S ロウワーテザー固定用ストラップ×2
- T リクライニング調整用アジャスター



# AXKID MINIKID 4チャイルドシートを取り付け可能な位置、不可能な位置

AXKID MINIKID 4 チャイルドシートは必ず後ろ向きに取り付けてください。このチャイルドシートは、ほとんどの座席に取り付けられますが、すべての座席に取り付けられるわけではありません。適切な座席位置については、車の取扱説明書、および [www.axkid.com](http://www.axkid.com) の車種一覧をご確認ください。

助手席（エアバッグなし）	OK/NG*
助手席（エアバッグあり）	NG
3点式シートベルトの後部座席	OK
2点式シートベルトの後部座席	NG
後ろ向き装着シートと側面	NG



**重要：**エアバッグが付いているフロント座席にAXKID MINIKID 4チャイルドシートを取り付ける場合、自動車メーカーの指示に従ってエアバッグを取り外す必要があります。一部の車種では、認定されたサービスセンターにおけるエアバッグの取り外しが必要です。

\*スペインの一般的な交通規則では、その第117条において、身長が135cm以下の子供を自動車の前席に乗せて運転することは、例外なくすべて禁止されています。



## ロウワーテザーアンカー 必ずお読みください

ロウワーテザーアンカー（LTA: Lower tether anchorages）は、チャイルドシートを、後ろ向き設置用ベルトでしっかりと安定させて取り付けることで、車内でのお子様の安全性を強化します。これにより、横転事故や追突事故など、あらゆる衝突事故におけるお子様の安全を最大限確保します。

ロウワーテザーアンカーは、北欧諸国では40年以上前から広く使われ、確立されている方法です。2020年には、LTAの新しい国際規格であるISO13216-4:2020が発表されました。この規格では、チャイルドシートのロウワーアンカーだけでなく、自動車メーカーやそのテザーアンカーに対する要求事項についても記述しています。これにより、互換性を向上させ、長く将来にわたって安全かつ簡単な取り付けができるようにすることを目的としています。

AXKID MINIKID 4のロウワーテザーアンカーはISO13216-4:2020に準拠しています。同規格に準拠したロウワーテザーアンカー対応の車種であれば、完璧なフィットで、かつ簡単に取り付けられることができます。車のテザーアンカー（固定ベルト用金具）がこの規格に準拠していない場合でも、AXKID MINIKID 4のロウワーテザーアンカーは適合する可能性があります。保証はされません。

車のテザーアンカーは、フロアのシートレールに設置されていることが多いですが、車種により異なります。使用可能なテザーアンカーの位置や詳細は、車の取扱説明書よりご確認ください。

お使いの車にテザーアンカーがあらかじめ付いていない場合、AXKID MINIKID 4には、お使いの車に取り付けることができる追加のロウワーテザー固定用ストラップ(S)が付属されています。取り付け方法については、この説明書をご一読ください。これらのストラップはISO13216-4:2020に準拠しており、正しく取り付ければ、あらかじめ取り付けられているテザーアンカーと同じ安全性を提供します。

一部の車種では、ロウワーテザーアンカーを後付けすることも可能です。詳細については、車両の製造元または販売店にお問い合わせください。AXKIDの後付けロウワーテザーアンカーと追加のロウワーテザー固定用ストラップは、別途購入することができます。

注：AXKID MINIKID 4をロウワーテザーアンカーなしで使用することは絶対に避けてください。これは重要な安全機能であり、チャイルドシートを取り付ける際には使用する必要があります。



# ロウワーテザーアンカーを使用した固定

お使いの車にテザーアンカーがあらかじめ付いていない場合、AXKID MINIKID 4には、お使いの車に取り付けることができる追加のロウワーテザー固定用ストラップが付属されています。お使いの車種やチャイルドシートを取り付ける座席位置によって、アンカーストラップを取り付けるために使用できるテザーアンカーは異なります。代替案については、以下を参照してください。

ロウワーテザー固定用ストラップ(S)を取り付けるには、テザーアンカーにストラップを通し、ストラップ本体の穴に金属製アンカーを通すだけです。ロウワーテザー固定用ストラップには、使用可能な穴がいくつかあります。金属製アンカーにできるだけ近い穴を使用し、金属製アンカーはできるだけ車のフロアに近い位置に設置するようにしてください。これが完了したら、金属製アンカーを引っ張ってストラップを締め、もう一方のストラップに対しても同じ手順を繰り返します。AXKID MINIKID 4を取り付ける際には必ず2つのテザーアンカーを使用し、お互いの位置がより離れているものを選ぶと、より安定した取り付けができます。

## ロウワーテザー固定用ストラップの通し方

- alt. **a** ストラップを、車に設置されているテザーアンカーの縁にくぐらせるように通します（この方法は、車に設置されているアンカーがロウワーテザーにはフィットしない場合にのみ使用します）。
- alt. **b** シートレールとフロアの間、またはシートレールの適切な穴にストラップを通し、チャイルドシート前方のシートレールにストラップを取り付けてください。
- alt. **c** 座席の後方部分とシートクッションの間にストラップを通し、チャイルドシートの前方にある車両シートの金具部分にストラップを取り付けてください。
- alt. **d** シートレールとフロアの間、またはシートレールの適切な穴にストラップを通し、チャイルドシートの下にあるシートレールにストラップを取り付けてください。
- alt. **e** AXKID MINIKID 4を助手席に取り付ける際、上記の方法での取り付けができない場合には、ロウワーテザー固定用ストラップを車両後部の適切なテザーアンカーに設置し、ストラップを車両シートの下から車両前部まで伸ばして使うことが可能です。ロウワーテザー固定用ストラップがきちんとシートの方から出ていて、側面から出ていないことを確認してください。

注：車両シートの位置を変更しても、取り付けられているロウワーテザー固定用ストラップに干渉したり、損傷させたりしないよう、常にご注意ください。

注：ストラップのを設置する際、鋭利な道具などを使用すると、ストラップを損傷することがあります。絶対に使用しないでください。



# AXKID MINIKID 4チャイルドシートを取り付ける

AXKID MINIKID 4を取り付ける前に、車にテザーアンカーがあることを確認してください。詳細と取り付け方法については、本書のテザーアンカーについてのセクションを参照してください。

1

ジッパーを開けて、ベルト締め具の蓋(O)を開ける。

2

AXKID MINIKID 4チャイルドシートは、背もたれを車の前方に向けた状態で座席に設置します。チャイルドシートを座席にのせてから前後に動かし、お子様の足元の広さを調節してください。AXKID MINIKID 4は、車のシートの背もたれに密着させて取り付け可能ですが、下端部(J)が座席の端から出ている状態で取り付けることはできません。下端部(J)の垂直ライン(K)が座席の端からはみ出さないように注意してください。

リクライニング調整レバー(G)を押してチャイルドシートの角度を調整し、適切な位置にリクライニングを調整します。最大限の安全性を確保するため、お子様が寝ている時に頭が前方に傾くことがないように、できるだけ直立した角度に調整してください。快適性と安全性の両方の理由から、お子様の成長に合わせて、リクライニング角度はより直立に近い状態に調節してください。ロウワーテザー(M)を張ると、チャイルドシートは座席クッションに強く押し付けられるため、若干リクライニングが強くなることにご注意ください。AXKID MINIKID 4を助手席に取り付ける際、チャイルドシートの背もたれがダッシュボードに接触することがありますが、問題ありません。また、接触する必要があるわけでもありません。

3

ベルト締め具の蓋(N)を開いてください。車のシートベルトを腕の長さ分くらいに引き出し、ご自身が一番近いシートベルト通し穴(D)に通してください。ベルトをベルト締め具(N)に通し、反対側のシートベルト通し穴(D)に通してください。車のシートベルトをシート用バックルに繋ぎ、そのまま肩部分を強く引っ張ってたるみをなくし、チャイルドシートを固定してください。チャイルドシートがしっかりと固定されたら、ベルト締め具の蓋(N)を閉じ、車のシートベルトを所定の位置にロックしてください。肩ベルトと膝の上を通るベルトの両方が、ベルト締め具の蓋(N)でロックされていることを確認してください。ベルト締め具の蓋(O)を閉め、ジッパーを開けてください。さらにしっかりと安定した取り付けを行うには、肩ベルトを引きながらチャイルドシートを押し下げてください。

4

チャイルドシートからロウワーテザー(M)を引き出し、車のテザーアンカーに接続します。詳細については、本取扱説明書に記載されているロウワーアンカーに関する項目を参照してください。チャイルドシートの上部を押し下げ、チャイルドシートを左右に揺らすと、AXKID MINIKID 4のロウワーテザー(M)が自動的に張る仕組みになっています。ロウワーテザー(M)がしっかりと張られた後、チャイルドシートのリクライニング角度が最終調整できるようになります。チャイルドシートがしっかりと固定され、適切なリクライニング角度になるまで、チャイルドシートは押し続けてください。また、ロウワーテザーベルトの白い印部分が見える位置に出ていることを確認してください。隠れてしまっている場合、ロウワーアンカーがチャイルドシートに近すぎることを意味するため、調整する必要があります。調整がうまくできない場合には、ロウワーテザーアンカーをシートの後ろで交差させることで、もう少し距離を取ることもできます。

5

チャイルドシートから、サポートレッグ(P)を引き出します。サポートレッグボタン(Q)を押し、サポートレッグ(P)を車のフロアに接するまで引き伸ばします。サポートレッグボタン(Q)を離し、チャイルドシートを上を持ち上げて、カチッという音がするまでサポートレッグ(P)をさらに引き伸ばします。これで、サポートレッグ(P)がロックされ、車のフロアにしっかりと押し付けられているはずです。サポートレッグ(P)が車の前方に約10°傾いていることを確認してください。車のシートベルトをもう一度確認し、しっかりと張られていること、ロウワーテザーとサポートレッグを張っている間に腰回り用のベルトに弛みが生じていないことを確認してください。シートベルトの張力が低下している場合は、ロウワーテザーを外さずに、このガイドの手順2を繰り返してベルトをしっかりと張り直します。


6

ASIPパッド(I)をASIPコネクター(L)の穴に差し込んで下方にスライドさせると、ASIPパッド(I)がカチッと音をさせて所定の位置に取まります。ASIPコネクター(L)にプラスチック製のカバーがある場合は、それを取り外し、ASIPパッド(I)を取り付ける前にシートの反対側にあるASIPコネクター(L)に取り付けます。ASIPパッド(I)は必ず、AXKID MINIKID 4チャイルドシートの車両ドアに近い側に取り付けてください。



# AXKID MINIKID 4チャイルドシートにお子様をしっかりと固定する

お子様をAXKID MINIKID 4チャイルドシートに固定する前に、チャイルドシートに正しいインサートが装着されていることを確認してください。AXKID MINIKID 4は、お子様の成長に合わせて調整可能となっており、すべてのお子様にと快適かつ安全にフィットするように設計されています。AXKIDでは、お子様が窮屈だと感じるようになるまで、下表に記載された最短の長さまで関連するインサートを使用することをお勧めします（年齢は、あくまで目安です）。

年齢	身長	
乳幼児 0～3歳	61-105 cm	
小児 3～7歳	106-125 cm	

AXKID MINIKID 4には自動調整のヘッドレスト(A)が装備されており、肩ベルトを締めると自動的に正しい位置まで下がるようになっています。常に適切な調整がされるよう、AXKIDでは、チャイルドシートを使用する際には毎回、この機能を使用することをお勧めしています。お子様をチャイルドシートに座らせる前に、ヘッドレスト(A)のロックが解除されていることを確認してください。詳細については、ヘッドレスト(A)調整の項目を参照してください。

7

ヘッドレストブレイクレバー(H)のロックが解除されていることを確認します。ロックされている場合は、レバーを押し倒してロック解除の位置にします。

8

肩ベルトロック解除ボタン(E)を押して肩ベルトを緩め、両方の肩ベルト(R)を同時に引き抜きます。肩ベルト(R)が不均等になるのを防ぐため、片方ずつ引き抜かないでください。ヘッドレスト(A)が一番上の位置まで押し上げられていることを確認します。

9

バックルのロック解除ボタン(C)を押して肩ベルト用バックルのロックを解除し、肩ベルトはチャイルドシートの外側に出して置いてください。

10

お子様をシートに座らせ、肩ベルト(R)をお子様の肩に掛けてください。肩ベルト(R)に付いているバックルの部品を合わせ、カチッと音がするまでバックルに押し込んで、ロックします。

11

肩ベルト(R)を引っ張り、お子様の腰周りのベルトもしっかり締めます。肩ベルト(R)に張力がかかった状態で、肩ベルトテンションストラップ(F)をチャイルドシートからまっすぐ引きます。肩ベルト(R)とお子様の肩の間に、指1本以上入らないくらいまでしっかりと締めてください。ベルトを張っている間、ヘッドレスト(A)は自動的に下方に移動し、お子様に適した位置に調整されます。



## ヘッドレストの調整

AXKID MINIKID 4には自動調整のヘッドレスト(A)が装備されており、お子様にとってヘッドレスト(A)が常に適切な位置に調整されるようになっています。チャイルドシートのベルトを締めるとヘッドレスト(A)が適正な位置まで下がり、自動的にその位置にロックされます。ベルトを緩めると、ヘッドレスト(A)は再び上部の位置まで移動し、ロックが解除されます。常に適切な調整がされるよう、AXKIDでは、チャイルドシートを使用する際には毎回、この機能を使用することをお勧めしています。

ヘッドレスト(A)は一番上の位置にある時のみ、ロック解除が可能です。ベルトを緩める際には、ヘッドレスト(A)が一番上の位置に戻っていることを確認してください。一番上の位置に戻っていないと、ベルトを張る際にもヘッドレスト(A)はロックされたままとなり、正しい位置に調整されません。

自動調整機能を解除してヘッドレスト(A)を固定位置に設定しておきたい場合には、ヘッドレスト(A)を希望の位置に置き、ヘッドレストブレイクレバー(H)をロック位置に切り替えます。これでヘッドレスト(A)の高さが固定され、再びヘッドレストブレイクレバー(H)をロック解除の位置に切り替えるまで動かなくなります。

ヘッドレスト(A)を固定した状態でAXKID MINIKID 4を使用する場合、ヘッドレスト(A)がお子様にとって適正な位置に設置されていることを確認してください。ショルダーストラップ(R)がお子様の肩のすぐ上、または最大で1cm上の位置から、チャイルドシートに通されていることを確認してください。そうでない場合は、ヘッドレストブレイクレバー(H)をロック解除位置に切り替え、ヘッドレスト(A)が一番上の位置まで押しつけてロックを解除し、この手順を繰り返してヘッドレスト(A)を調節してください。



## AXKID MINIKID 4チャイルドシートを取り外す

- ・ ジッパーを開き、ベルト締め具の蓋(O)を開けてください。シートベルトバックルの赤いボタンを押して、車のシートベルトのロックを解除します。ベルト締め具(N)を開き、車両シートベルトを引っ張るようにしてシートベルト通し穴(D)を通していき、チャイルドシートから取り外してください。
- ・ コネクタを手で持ち、親指で赤いボタンを押して、ロウワーテザー(M)のロックを解除してください。コネクタは手に持ったままで、ゆっくりとチャイルドシートに戻してください。ロウワーテザーのコネクタは、早いスピードで、自動で引き戻されるようになっていますので、手を離さないように注意してください。
- ・ サポートレッグボタン(Q)を押し、サポートレッグ(P)を一番低い状態に戻します。
- ・ リクライニング調整レバー(G)を押し、リクライニング調整用アジャスター(T)を番高い状態まで押し込みます。AXKID MINIKID 4を持ち上げ、車から出します。

ヒント：チャイルドシートを車から取り外す前に、バンドのバックルをロックし、バンドに張りを持たせてください。こうすることで、肩ベルト(R)を持ち手として使うことができ、チャイルドシートを簡単に持ち上げて車外に持ち出すことができます。

重要：ヘッドレスト(A)部分を掴んで持ち上げて運ぶことは、絶対にしないでください。

### チャイルドシートのリサイクル



AXKIDは、使用後のチャイルドシートのリサイクルを強く推奨しています。チャイルドシートをお近くのリサイクル業者などに引き渡す前に、シートから肩ベルトを切り離し、カバーを取り外し、発泡スチロール部品をできるだけ取り除き、さらに可能であれば金属部品とプラスチック部品を分別してください。チャイルドシートの主要部分には、安全ではない、または使用期限切れであるという印を付けて（マーカーを使用してください）、再び使用されることがないようにしてください。各材料のリサイクル方法については、お住まいの地域の自治体のガイドラインをご確認ください。

# お手入れとメンテナンス方法

シートカバーは、30℃までの温度で、非常に弱い水流での洗濯機洗いが可能です。乾燥機にかけると、カバーが損傷し、パッドが生地から分離することがあります。www.axkid.com で、カバーの取り外しと取り付けの方法を説明したビデオをご確認ください。

シートカバーの取り外し：

- ・ ASIPパッド(I)が付いている場合には、取り外します。
- ・ 自動のヘッドレストブレイキレバー(H)をロック解除位置にセットし、肩ベルトロック解除ボタン(E)を押してベルトを緩め、両方の肩ベルト(R)を同時に引き抜きます。
- ・ ヘッドレスト(A)の下側にある2つのファスナーを開け、ヘッドレスト(A)から慎重にカバーを外します。
- ・ ヘッドレスト(A)を最も低い位置まで下げ、自動のヘッドレストブレイキレバー(H)をロック位置に切り替えます。
- ・ ベルト用バックルのロック解除ボタン(C)を押してロックを解除し、バックルのカバーを取り外します。
- ・ ファスナーを開けてベルト締め具の蓋(O)を開け、カバーからベルト締め具の蓋(O)を外します。
- ・ チャイルドシートの下にあるファスナーを開け、チャイルドシート裏側のカバーにある4つのボタンを外します。
- ・ チャイルドシート内側の背もたれにある2つのファスナーを開け、チャイルドシートからカバーを慎重に外します。ASIPパッドや他のプラスチックカバーなどがシートカバーを傷つけないように注意し、強く引っ張らないようにしてください。
- ・ ショルダーパッドを開き、マジックテープからそと外します。

シートカバーを取り付ける：

- ・ 上記の手順を逆の順番で行い、チャイルドシートにカバーを再度取り付けてください。
- ・ ショルダーパッドは、さまざまな位置に取り付けることができます。お子様に適した位置に取り付けてください。ショルダーパッドは、お子様の肩の上から胸までの位置になるようにしてください。またショルダーパッドのゴム素材の面が、お子様の胸側に向くようにしてください。

シートカバーの交換が必要な場合、必ずAXKIDの純正品のみを使用してください。他の製品を使用した場合、AXKID MINIKID 4チャイルドシートの安全性が損なわれ、事故の際に深刻な怪我につながる可能性がありますのでおやめ下さい。

AXKID MINIKID 4チャイルドシートのプラスチック部品は、中性洗剤と水でお掃除いただくことができます。プラスチックが損傷し、チャイルドシートの安全性が損なわれるおそれがありますので、溶剤などを含む強い化学薬品や洗剤は使用しないでください。

## 保証について

AXKID MINIKID 4チャイルドシートには、購入日から24ヶ月間の保証が付いています。レシートは必ず保管いただき、保証対象となる問題が発生した場合は、購入先にお持ちください。

以下については、保証対象外です：

- ・ 通常の使用による磨耗や損傷。
- ・ 不適切な使用、管理不足、事故による損傷。
- ・ メーカーあるいは正規代理店ではない、第三者による修理が行われた場合。
- ・ 使用されているすべての素材は、非常に高い紫外線耐性を持っています。ただし、紫外線は非常に強力なため、長期的にはシートカバーの色あせにつながります。これは通常の磨耗と見なされるため、当社の保証の対象にはなりません。
- ・ チャイルドシートは慎重に取り扱ってください。ヘッドレスト(A)部分を掴んで持ち上げて運ぶことは、絶対にしないでください。

# Благодарим Ви, че избрахте детско столче AXKID MINIKID 4

Прочетете това ръководство с указания, преди да монтирате детско столче за кола AXKID MINIKID 4 във вашия автомобил. За повече информация и видеоклипове за монтаж посетете [www.axkid.com](http://www.axkid.com).

**AXKID MINIKID 4** е столче за кола, обърнато назад, одобрено за деца с ръст между 61-125 см, ≤36 кг

AXKID MINIKID 4 е подходящо за употреба от около шестмесечна възраст или от момента, в който детето ви може да стои седнало без чужда помощ.

Това е единна специфична усъвършенствана система за обезопасяване на деца с колани в превозно средство. Тя е одобрена в съответствие с Правило No 129 на ООН за използване в съвместими места за сядане в превозното средство, както е посочено в списъка на превозните средства. Ако имате съмнения, допитайте се или до производителя на усъвършенствената система за обезопасяване на деца ([www.axkid.com](http://www.axkid.com)), или до търговеца на дребно.

## Важна информация

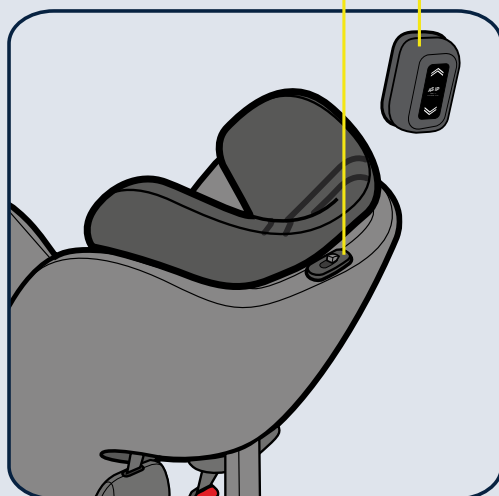
За да увеличите максимално безопасността на детето си, е важно да не забравяте следното:

- Винаги следвайте указанията в това ръководство. Неправилният монтаж може сериозно да засегне безопасността на вашето дете. Ако имате съмнения, се свържете с вашия търговец на дребно, който може да покаже правилен монтаж.
- Запазете това ръководство с указания за бъдещи справки. Ако ръководството бъде загубено, можете да го намерите онлайн на [www.axkid.com](http://www.axkid.com)
- Не използвайте столчето за кола AXKID MINIKID 4 на място за сядане, където е монтирана активна предна въздушна възглавница. Ако все пак желаете да монтирате столчето за кола AXKID MINIKID 4 на това място, въздушната възглавница трябва да се изключи съгласно указанията на производителя на автомобила.
- Ако претърпите пътнотранспортно произшествие, без значение колко е леко, столчето за кола винаги трябва да бъде сменено. То може да има увреждане, което да не е видимо и може сериозно да засегне безопасността на вашето дете. Поради тази причина Axkid не препоръчва закупуването на столчета за кола втора употреба.
- Ако столчето за кола AXKID MINIKID 4 е било изложена на пряка слънчева светлина, се уверете, че столчето за кола не е твърде горещо, преди да поставите детето си.
- Никога не оставяйте детето си без надзор в превозното средство.
- Уверете се, че всички багажи или свободни предмети в автомобила ви са обезопасени, тъй като те могат да причинят наранявания на пътниците в случай на произшествие.
- Уверете се, че столчето за кола AXKID MINIKID 4 е монтирано по начин, при който нито една част не се заклещва от подвижни седалки, врати на автомобила и т.н.
- Ако използвате долни ленти за захващане, уверете се, че те са монтирани по начин, който не пречи на движението на никоя седалка на превозното средство.
- Столчето за кола AXKID MINIKID 4 може да се монтира само обърнато назад.
- Винаги се уверявайте, че коланите са регулирани така, че да прилягат правилно на тялото на детето ви. Коланите се регулират чрез преместване на опората за глава.
- Уверете се, че гърбът на детето е притиснат към столчето за кола, когато обезопасявате детето си с коланите.
- Винаги се уверявайте, че коланите са здраво обтегнати по детето ви и че токата е напълно заключена, не трябва да можете да захванете лентите.
- Уверете се, че коланите не са усукани.
- Винаги се уверявайте, че опорният крак е в правилното си положение и че опира в пода на автомобила. Опорният крак е много важна функция за безопасност, предназначена да увеличи максимално безопасността на детето ви при произшествие.
- Не се опитвайте да разглобявате или променятеля която и да е част от детското столче AXKID MINIKID 4. Гаранцията и показателите за безопасност на детското столче AXKID MINIKID 4 могат да бъдат засегнати, ако това се случи.
- Никога не използвайте столчето за кола AXKID MINIKID 4 без текстилния калъф. Текстилният калъф на столчето е функция за безопасност и може да бъде заменен само с оригинален текстилен калъф за столче Axkid.
- Прочетете ръководството на превозното средство и списъка на превозните средства на адрес [www.axkid.com](http://www.axkid.com), за да откриете кои места за сядане са подходящи за това столче за кола.
- Axkid препоръчва винаги да използвате предпазител за седалки, за да предпазите седалката на автомобила от драскотини и замърсявания.
- Ако имате някакви съмнения, свържете се с търговеца на дребно, от който е закупено столчето за кола, или се свържете с [info@axkid.com](mailto:info@axkid.com)

# Съдържание

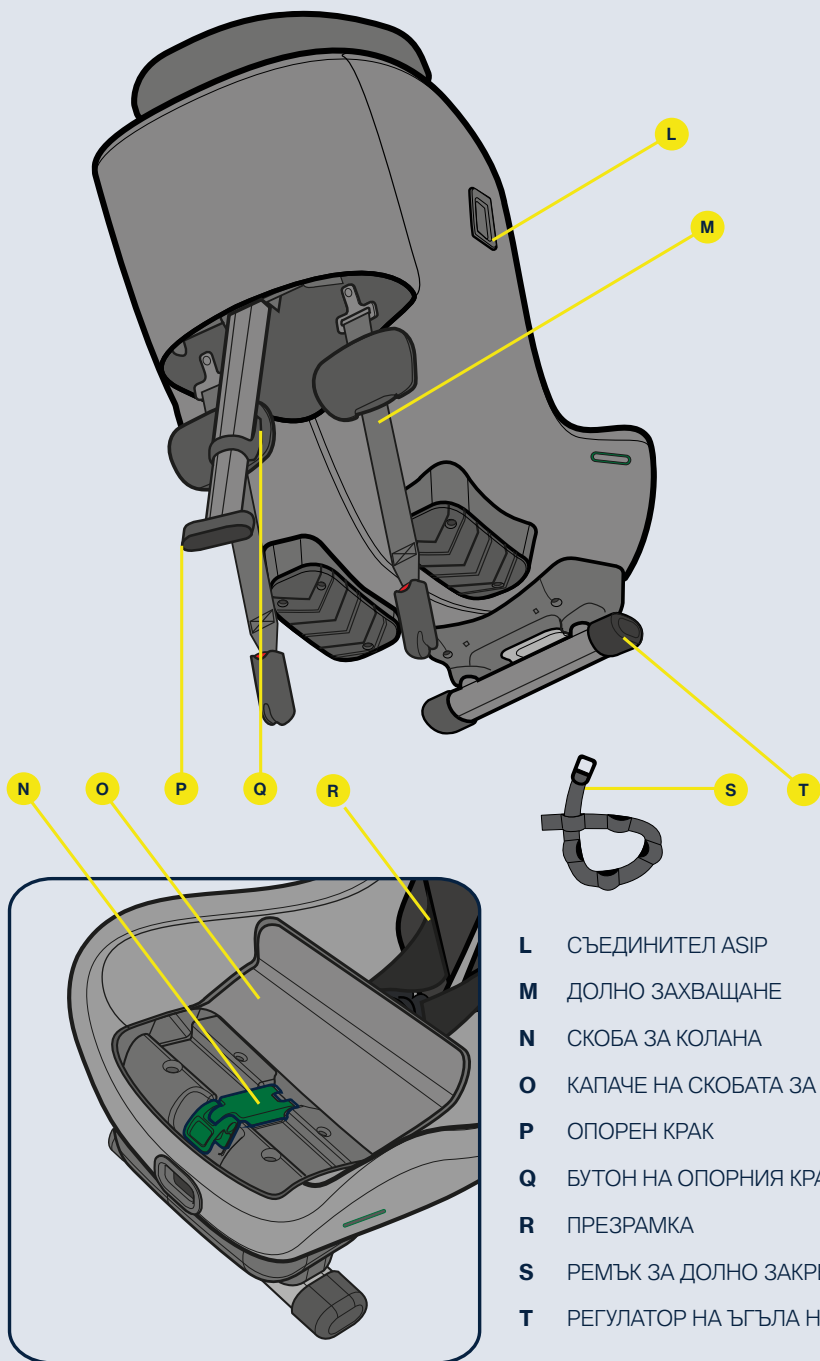
Части	204
Разрешено и забранено поставяне на столчето за автомобил AXKID MINIKID 4	206
Долни лентови закрепвания	206
Монтиране на ремъците за долно захващане	207
Монтиране на столчето за кола AXKID MINIKID 4 в автомобила	208
Обезопасяване на детето в столчето за кола AXKID MINIKID 4	209
Регулиране на облегалката за глава	210
Демонтиране на столчето за кола AXKID MINIKID 4 от автомобила	210
Грижа и поддръжка	211
Гаранция	211

# Части



- A** ОБЛЕГАЛКА ЗА ГЛАВА
- B** ЦЯЛОСТНА ОБЕЗОПАСИТЕЛНА СИСТЕМА
- C** БУТОН ЗА ОСВОБОЖДАВАНЕ НА ЗАКОПЧАЛКАТА
- D** ПРОРЕЗ ЗА ПРЕДПАЗЕН КОЛАН
- E** БУТОН ЗА ОСВОБОЖДАВАНЕ НА ОБЕЗОПАСИТЕЛНАТА СИСТЕМА
- F** КОЛАН ЗА ОБТЯГАНЕ НА ОБЕЗОПАСИТЕЛНАТА СИСТЕМА
- G** ЛОСТ ЗА РЕГУЛИРАНЕ НА НАКЛОНА
- H** СПИРАЧЕН ЛОСТ ЗА ОБЛЕГАЛКА ЗА ГЛАВА
- I** ПОДЛОЖКА ASIP
- J** ПЕТА
- K** ВЕРТИКАЛНА ЛИНИЯ



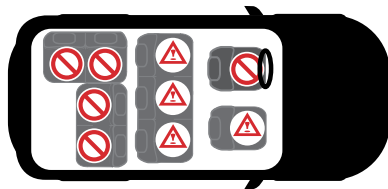




# Разрешено и забранено поставяне на столчето за автомобил AXKID MINIKID 4

Столчето за кола AXKID MINIKID 4 може да се монтира само обърнато назад. То ще се побере в повечето, но не във всички места за сядане. Проверете ръководството за експлоатация на превозното средство, за да намерите подходящи места за сядане, и проверете списъка на превозните средства на [www.axkid.com](http://www.axkid.com)

Предна пътническа седалка (без активна въздушна възглавница)	ДА/НЕ*
Предна пътническа седалка (с активна въздушна възглавница)	НЕ
Задна пътническа седалка с 3-точков предпазен колан	ДА
Седалка с 2-точков предпазен колан	НЕ
Странични и обърнати назад седалки	НЕ



**ВАЖНО:** Ако желаете да монтирате вашето детско столче AXKID MINIKID 4 на място, където е монтирана предна въздушна възглавница, въздушната възглавница трябва да бъде изключена съгласно ръководството от производителя на автомобила ви. Имайте предвид, че за изключването на въздушната възглавница на някои автомобили се изисква упълномощен сервизен център.

\* Общият правилник за движение по пътищата в Испания, в своя член 117, установява забрана за шофиране с деца с ръст, равен или по-малък от 135 сантиметра, разположени на предните седалки на автомобила, без изключения.



## Долни лентови закрепвания Важна информация

Долните лентови закрепвания (LTA) се използват за подобряване на защитата на децата в автомобилите, осигурявайки здрав и стабилен монтаж за удължени, обърнати назад столчета за кола, захванати с предпазни колан. Това повишава безопасността за вашето дете при всички видове удари, включително пътнотранспортни произшествия с преобръщане и удари отзад.

Долните закрепвания са добре установен метод, който се използва широко в скандинавските страни повече от 40 години. През 2020 г. беше издаден нов международен стандарт за LTA, ISO13216-4: 2020. Този стандарт описва изискванията за долни закрепвания за столчета за кола, но също така и за производителите на превозни средства и техните точки на закрепване. Целта е да се подобри съвместимостта и да се осигури безопасен и лесен начин за монтаж за в бъдеще.

Долните закрепвания на AXKID MINIKID 4 отговарят на ISO13216-4:2020, осигурявайки съвършено прилягане и лесен монтаж в превозни средства с предварително монтирани долни лентови закрепвания, които също отговарят на този стандарт. Ако вашият автомобил има точки на закрепване, които не отговарят на стандарта, долните закрепвания AXKID MINIKID 4 все още е вероятно, но не е гарантирано, да пасват.

Предварително монтираните долни лентови закрепвания в превозните средства често се намират на релсите на седалките, прикрепени към пода, но се използват и други положения. Проверете ръководството за експлоатация на вашия автомобил за повече информация относно използваемите точки за закрепване.

Ако вашият автомобил няма подходящи предварително монтирани ремъци за долно закрепване, AXKID MINIKID 4 се предлага с включени допълнителни долни ремъци за закрепване (S), които могат да бъдат монтирани във вашия автомобил. Вижте това ръководство за указания за монтаж. Тези ремъци също отговарят на ISO13216-4: 2020 и когато са монтирани правилно, предлагат същата безопасност като предварително монтираните закрепвания.

Някои производители на автомобили предлагат и възможност за преоборудване на долните лентови закрепвания. Свържете се с производителя или търговския представител на вашия автомобил за повече информация. Долни лентови закрепвания и допълнителни долни ленти за закрепване Axkid за преоборудване могат да бъдат закупени отделно.

Забележка: Никога не използвайте AXKID MINIKID 4 без долните ленти за укрепване. Те са важна функция за безопасност и винаги трябва да се използват при монтирането на столчето за кола.

## Монтиране на ремъците за долно захващане

Ако вашият автомобил няма подходящи предварително монтирани ремъци за долно закрепване, AXKID MINIKID 4 се предлага с долни ремъци за закрепване, които могат да бъдат монтирани във вашия автомобил. В зависимост от вашия автомобил и положението на седалката, където сте избрали да монтирате столчето за кола, има различни възможни точки на закрепване, които да използвате за монтиране на ремъците за закрепване. Вижте по-долу за възможности.

За да монтирате долните ремъци за закрепване (S), просто прекарайте ремъците около избраната точка на закрепване и прекарайте металното закрепване през един от прорезите на самия ремък. Ремъкът за закрепване има множество прореза за използване. Уверете се, че използвате прореза възможно най-близо до металното закрепване, като по този начин монтирате металното закрепване възможно най-близо до пода на автомобила.

След като направите това, издърпайте металното закрепване, за да затегнете ремъка и повторете процеса за другия ремък. Винаги използвайте две точки на закрепване, когато монтирате AXKID MINIKID 4 и изберете точки на закрепване, които са раздалечени, тъй като това дава по-стабилен монтаж.

### Опции за прекарване на ремъка за закрепване

**вар. а** Прекарайте ремъка около ръба на предварително монтираното закрепване (използвайте този метод само ако предварително монтираните закрепвания не се пасват директно в долните ремъци).

**вар. b** Монтирайте ремъка около релсата на седалката пред столчето за кола, вкарайки ремъка между релсата на седалката и пода на автомобила или през подходящ отвор на релсата на седалката.

**вар. c** Поставете ремъка около пантата на седалката на автомобила пред столчето за кола, вкарайки ремъка между облегалката на седалката на автомобила и възглавницата на седалката.

**вар. d** Монтирайте ремъка около релсата на седалката под столчето за кола, вкарайки ремъка между релсата на седалката и пода на автомобила или през подходящ отвор на релсата на седалката.

**вар. e** При монтиране на AXKID MINIKID 4 на предната пътническа седалка и не е налична нито една от горните възможности, е възможно долните ремъци за закрепване да се прикрепят към подходяща точка на закрепване в задната част на превозното средство и да се прекарат ремъците под седалката на автомобила към предната част на превозното средство. Уверете се, че ремъците за закрепване излизат от предната част на седалката, а не отстраня.

**Забележка:** Винаги се уверявайте, че промяната на положението на седалката на превозното средство не пречи или не поврежда монтираните долни ремъци за закрепване.

**Забележка:** Никога не използвайте остри предмети, за да си помогнете при прекарването на ремъците, тъй като това може да повреди ремъка.



# Монтиране на столчето за кола AXKID MINIKID 4 в автомобила

Преди да монтирате AXKID MINIKID 4, се уверете, че имате долни лентови закрепвания в автомобила си. Вижте раздела за долните лентови закрепвания в това ръководство за повече информация и указания за монтаж.

1

Разкопчайте ципа и отворете капачето на скобата на колана (O).

2

Поставете AXKID MINIKID 4 върху седалката на автомобила, като облегалката на столчето за кола е обърната към предната част на автомобила. Регулирайте пространството за краката на детето ви, просто премествайки столчето за кола напред и назад върху седалката на автомобила. AXKID MINIKID 4 може да се монтира плътно към облегалката на седалката на автомобила, но никога не може да бъде монтирана с петата (J), висяща над ръба на седалката на автомобила. Уверете се, че вертикалната линия (K) на петата (J) никога не пресича ръба на седалката на превозното средство.

Регулирайте ъгъла на столчето за кола, натискайки лоста за регулиране на наклона (G) и изберете подходящо наклонено положение. За максимална безопасност изберете възможно най-изправено положение, като същевременно се уверите, че главата на детето ви не пада напред, когато спи. Както от съображения за удобство, така и от съображения за безопасност, ъгълът на наклона трябва да се регулира във все по-изправено положение, колкото повече детето ви расте. Имайте предвид, че при опъване на долните закрепвания (M), столчето за кола ще бъде малко по-наклонено, тъй като потъва във тапицерията на седалката на автомобила. При монтиране на AXKID MINIKID 4 на предната седалка за пътник е възможно, но не е необходимо, облегалката на столчето за кола да опира в арматурното табло.

3

Отворете скобата за колана (N). Издърпайте предпазния колан на автомобила на дължина колкото ръката ви и го вкарвайте през прореза за предпазния колан (D), който е най-близо до вас. Прекарайте колана през скобата за предпазен колан (N) и го промушете през прореза за предпазния колан (D) от противоположната страна. Закочайте предпазния колан на автомобила в токата на предпазния колан и дръпнете силно раменната част на предпазния колан на автомобила, за да отстраните цялата хлабина и да застопорите столчето за кола, колкото по-силно дърпате, толкова по-здрав е монтажът. Когато столчето за кола е здраво застопорено, затворете скобата за предпазния колан (N) и заключете предпазния колан на превозното средство в положението му. Уверете се, че раменната и набедрената части на колана са заключени заедно в скобата за предпазния колан (N). Затворете капачето на скобата на колана (O) и затворете ципа. За да осигурите още по-здрав и стабилен монтаж, натиснете надолу столчето за кола, докато дърпате раменния колан.

4

Издърпайте долните ленти (M) от столчето за кола и ги свържете към долните лентови закрепвания във вашия автомобил, вижте раздела за долните лентови закрепвания в това ръководство за повече информация. Натиснете надолу горната част на столчето за кола и го разклатете настрани и самообтягащите се долни ленти (M) на AXKID MINIKID 4 ще се опънат автоматично. Чрез опъване на долните ленти (M) също така задавате крайния ъгъл на наклон на столчето за кола. Продължете да натискате столчето за кола, докато бъде здраво закрепено и сте постигнали подходящ ъгъл на наклон. Проверете дали бялото обозначение на долната закрепваща лента е видимо. Ако не, долните лентови закрепвания са твърде близо до столчето за кола и трябва да се регулират. Ако това не е възможно, можете също да кръстосате долните въжета зад седалката, за да получите малко по-голямо разстояние.

5

Издърпайте опорния крак (P) от столчето за кола. Натиснете бутона на опорния крак (Q) и издърпайте опорния крак (P) надолу, докато опре в пода на превозното средство. Отпуснете бутона на опорния крак (Q) и повдигнете столчето за кола, за да удължите допълнително опорния крак (P), докато чуete щракване. Опорният крак (P) сега трябва да бъде заключен и здраво притиснат към пода на превозното средство. Уверете се, че опорният крак (P) е под ъгъл от около 10° към предницата на автомобила. Проверете отново предпазния колан на автомобила, за да се уверите, че той все още е здраво опънат и че набедрената част на колана не се е отпуснала, докато опъвате долните ленти и опорния крак. Ако коланът на превозното средство се е отпуснал, просто го опънете отново, като повторите стъпка 2 от това ръководство, без да разединявате долните ленти.

6

Натиснете подложката ASIP (I) в прорезите на съединителя ASIP (L) и плъзнете надолу, подложката ASIP (I) ще щракне на мястото си. Ако има пластмасов капак на съединителя ASIP (L), извадете го и го поставете върху съединителя ASIP (L) от противоположната страна на седалката, преди да монтирате подложката ASIP (I). Уверете се, че подложката ASIP (I) е закрепена от страната на столчето за кола AXKID MINIKID 4, която е най-близо до вратата на автомобила.



## Обезопасяване на детето в столчето за кола AXKID MINIKID 4

Преди да обезопасите детето си в детското столче AXKID MINIKID 4, се уверете, че в столчето е монтирана правилната подплата. AXKID MINIKID 4 е проектирано да расте заедно с вашето дете и да осигури удобно и безопасно прилягане за децата. Axkid препоръчва да използвате подплатата, докато стане твърде стегната за вашето дете, но до минимална дължина съгласно таблицата по-долу (имайте предвид, че възрастта е само за справка):

Възраст	Ръст	
Малко дете 0-3 години	61 – 105 см	
Дете 3-7 години	106 – 125 см	

AXKID MINIKID 4 е оборудвано с автоматична облегалка за глава (A), която ще се спусне в правилното положение при затягане на многоточковия колан. За да се гарантира най-доброто прилягане, Axkid препоръчва използването на тази функция всеки път, когато обезопасявате детето си. Преди да поставите детето си в столчето за кола, се уверете, че автоматичната облегалка за глава (A) е в отключено положение. Вижте раздел регулиране на облегалката за глава (A) за повече информация.

7

Уверете се, че лостът на спирачката за облегалка за глава (H) е настроен на отключено. Ако е заключен, натиснете лоста в отключено положение.

8

Разкопчайте системата за обезопасяване, натискайки бутона за освобождаване на системата (E) и издърпайте едновременно двете презрамки (R) навън. Избягвайте да дърпате само една каишка наведнъж, тъй като това може да доведе до неравномерна дължина на презрамките (R). Уверете се, че облегалката за глава (A) е натисната нагоре до най-горното положение.

9

Отключете ключалката на системата за обезопасяване, натискайки бутона за освобождаване на закопчалката (C) и поставете коланите извън столчето.

10

Поставете детето си в столчето и поставете презрамките (R) на раменете на детето. Заключете обезопасителната система от колани, първо поставяйки частите на заключалката, която е прикрепена към презрамките (R) заедно, и след това ги натиснете в заключалката, докато чуete щракване.

11

Издърпайте презрамките (R), за да затегнете обезопасителната система от колани над бедрата на детето си. Докато поддържате презрамките (R) опънати, издърпайте каишката за опъване на обезопасителната система (F) на право от столчето за кола, докато обезопасителната система се обтегне достатъчно, не трябва да можете да поставите повече от един пръст между презрамките (R) и раменете на детето си. Докато опъвате многоточковите колани, облегалката за глава (A) автоматично ще се придвижи надолу до правилното положение за вашето дете.



## Регулиране на облегалката за глава

AXKID MINIKID 4 е оборудвано с автоматична облегалка за глава (А), която ще гарантира, че облегалката за глава (А) винаги е в най-доброто положение за вашето дете. Когато многоточковите колани се обтегнат, облегалката за глава (А) ще се спусне до правилната височина и автоматично ще се заключи в положението си. При разхлабване на многоточковите колани, облегалката за глава (А) ще се върне отново в горното си положение и ще се отключи. За да се гарантира най-доброто прилягане, Axkid препоръчва използването на тази функция всеки път, когато обезопасявате детето си.

Облегалката за глава (А) се отключва само в най-горното си положение. Ето защо е важно да се гарантира, че облегалката за глава (А) се премества докрай до горното си положение при разхлабване на многоточковите колани, в противен случай облегалката за глава (А) ще остане заключена и няма да се движи надолу при опъване на многоточковите колани.

Ако искате да изключите функцията за автоматично регулиране и да запазите облегалката за глава (А) във фиксирано положение, поставете облегалката за глава (А) в желаното положение и превключете лоста на спирачката за облегалка за глава (Н) в заключено положение. Облегалката за глава (А) вече е заключена по височина и няма да се движи, докато не превключите отново лоста на спирачката на облегалката за глава (Н) в отключено положение.

Когато използвате AXKID MINIKID 4 с облегалката за глава (А) във фиксирано положение, се уверете, че облегалката за глава (А) е разположена на правилната височина за вашето дете. Проверете дали презрамките (R) преминават през столчето точно от раменете на детето или максимум 1 см над него. Ако не, регулирайте облегалката за глава (А), превключвайки лоста на спирачката за глава (Н) в отключено положение и натискайки облегалката за глава (А) в горно положение, за да я отключите, след което повторете процедурата.



## Демонтиране на столчето за кола AXKID MINIKID 4 от автомобила

- Разкогчайте ципа и отворете капачето на скобата на колана (O). Отключете предпазния колан на автомобила, натискайки червения бутон на заключалката на предпазния колан. Отворете скобата за колана (N) и издърпайте предпазния колан на автомобила и го насочете през прорезите за предпазния колан (D), за да го извадите от столчето за кола.
- Отключете долните ленти (M), държейки съединенията с ръка и натискайки червения бутон с палеца си. Докато държите съединението в ръката си, бавно го прекарвайте обратно към седалката на автомобила. Внимавайте да не пуснете съединението на долната лента за захващане, тъй като то ще се прибере автоматично с висока скорост.
- Натиснете бутона на опорния крак (Q) и приберете опорния крак (P) в най-късото му положение.
- Натиснете лоста за регулиране на наклона (G) и натиснете регулатора на тъгла на наклон (T) навътре в най-късото му положение. Извадете AXKID MINIKID 4 от автомобила.

Съвет: Заклучете ключалката на многоточковите колани и обтегнете коланите, преди да извадите столчето за кола от автомобила. След това можете да използвате презрамките (R) като дръжка за носене, което улеснява повдигането на столчето за кола и пренасянето му извън автомобила.

**Важно:** Никога не носете столчето за кола, държейки го за облегалката за глава (А).

### Рециклиране на вашето столче за кола



Axkid силно препоръчва рециклирането на стари столчета за кола. Преди да оставите столчето в местната станция за рециклиране, отрежете ремъците на системата за обезопасяване от столчето, свалете текстилния калъф, отстранете колкото се може повече части от стиропор, отделете металните и пластмасовите части, ако е възможно. Главната част от столчето трябва да бъде обозначена като опасна или с изтекъл срок на годност (използвайте маркер), за да възпреите някой да я използва отново. Моля, проверете местните общински насоки за указания за рециклиране на различните материали.



# Грижа и поддръжка

Текстилният калъф на столчето може да се пере в машина на 30°C при лек цикъл. Не поставяйте калъфа в сушилня, тъй като това може да повреди калъфа и подплатата може да се отдели от тъканта. Посетете [www.axkid.com](http://www.axkid.com), за да намерите видеоклипове, обясняващи как да премахнете и поставите калъфа.

Ако текстилният калъф на столчето се нуждае от смяна, се уверете, че използвате само оригинални продукти от Axkid. Ако използвате други продукти, системата за безопасност на столчето за кола AXKID MINIKID 4 може да бъде нарушена и да доведе до тежки наранявания в случай на пътнотранспортно произшествие.

Всички пластмасови части на столчето за кола AXKID MINIKID 4 могат да се почистват с мек почистващ препарат и вода. Не използвайте агресивни химикали, съдържащи разтворители или подобни, тъй като това може да повреди пластмасата и да наруши безопасността на столчето за кола.

## Махане на текстилния калъф:

- Отстранете подложката ASIP (I), ако е закрепена.
- Настройте лоста за спирачката на автоматичната облегалка за кола (H) в отключено положение и разкопчайте системата за обезопасяване, натискайки бутона за освобождаване на системата (E) и издърпайте едновременно двете презрамки (R) навън.
- Разкопчайте двата ципа от долната страна на облегалката за глава (A) и внимателно издърпайте калъфа от облегалката за глава (A).
- Спуснете облегалката за глава (A) до най-ниското положение и превключете лоста на спирачката на автоматичната облегалка за глава (H) в заключено положение.
- Отключете ключалката на системата за обезопасяване, натискайки бутона за освобождаване на закопчалката (C) и махнете капачето на закопчалката.
- Разкопчайте ципа и отворете капачето на скобата на колана (O) и свалете пластмасовото капаче (O) от текстилния калъф.
- Разкопчайте ципа под столчето за кола и откопчайте 4-те бутона на текстилния калъф на гърба на столчето за кола.
- Разкопчайте двата ципа на облегалката от вътрешната страна на столчето за кола и внимателно свалете текстилния калъф от столчето за кола. Бъдете внимателни около подложката ASIP и други пластмасови капачета, за да избегнете повреда на текстила. Не дърпайте твърде силно.
- Отворете подплънките на презрамките и внимателно ги махнете от велкрото.

## Поставяне на текстилния калъф:

- Изпълнете стъпките от указанията по-горе в обратен ред, за да монтирате текстилния калъф на столчето за кола обратно.

**Забележка:** Подложките на презрамките могат да бъдат монтирани в различни положения. Монтирайте ги в положение, подходящо за вашето дете, подложките на презрамките трябва да бъдат разположени върху рамото и гърдите на вашето дете. Също така се уверете, че гумената страна на подложките на презрамките е обърната към гърдите на детето ви.

# Гаранция

Столчето за кола AXKID MINIKID 4 се покрива от 24-месечна гаранция от датата на закупуване. Уверете се, че сте запазили касовата си бележка и я занесете на мястото на покупка, ако имате някакви гаранционни проблеми.

Гаранцията не покрива:

- Нормално износване.
- Повреда поради неправилна употреба, небрежност или злоупотреба.
- Ако ремонти дейности са били извършени от трета страна.
- Всички използвани материали имат много висока УВ-устойчивост. УВ-светлината обаче е много агресивна и в крайна сметка ще доведе до избледняване на калъфа на седалката. Това не се покрива от нашата гаранция, тъй като се счита за нормално износване.
- Работете със столчето внимателно. Никога не носете столчето, държейки го за облегалката за глава (A).

# ขอขอบคุณที่เลือก Axford MINIKID 4

อ่านคู่มือการใช้งานนี้ก่อนติดตั้งเบาะรถยนต์ในรถของคุณ  
สำหรับข้อมูลเพิ่มเติมและวิดีโอการติดตั้งโปรดไปที่ [www.axkid.com](http://www.axkid.com)

**Axford MINIKID 4** เป็นคาร์ซีทที่หันหน้าไปทางด้านหลังสำหรับเด็กที่มีความสูงระหว่าง 61-125 ซม. ≤36 กก.

Axford MINIKID 4 เหมาะสำหรับการใช้งานตั้งแต่อายุประมาณหกเดือนหรือจากเมื่อลูกของคุณสามารถนั่งได้โดยไม่รองรับ.

นี่คือระบบยึดเหนี่ยวเด็กแบบสายพานเฉพาะที่สำคัญ ได้รับการอนุมัติตามระเบียบสหประชาชาติฉบับที่ 129 สำหรับใช้ในตำแหน่งที่นั่งของยานพาหนะที่เข้ากันได้ตามที่ระบุในรายการยานพาหนะ หากมีข้อสงสัย ให้ปรึกษาผู้ผลิต Enhanced Child Restraint System ([www.axkid.com](http://www.axkid.com)) หรือผู้ค้าปลีก.

## ข้อมูลสำคัญ

เพื่อเพิ่มความปลอดภัยให้กับบุตรหลานของคุณสิ่งสำคัญคือคุณต้องคำนึงถึงสิ่งต่อไปนี้:

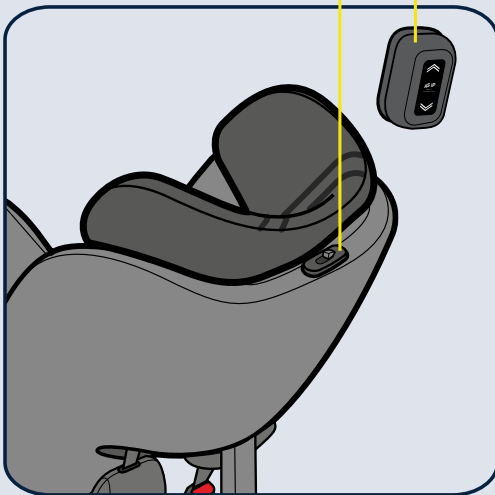
- ปฏิบัติตามคำแนะนำในคู่มือนี้เสมอ การติดตั้งที่ไม่ถูกต้องอาจส่งผลกระทบต่อความปลอดภัยสำหรับบุตรหลานของคุณ หากมีข้อสงสัยโปรดติดต่อผู้ค้าปลีกของคุณที่สามารถสาธิตการติดตั้งที่ถูกต้อง
- เก็บคู่มือการใช้งานนี้ไว้เพื่อใช้อ้างอิงในอนาคต หากคู่มือสูญหายคุณสามารถค้นหาได้ทางออนไลน์ที่ [www.axkid.com](http://www.axkid.com)
- อย่าใช้คาร์ซีทในตำแหน่งที่นั่งที่ติดตั้งถุงลมนิรภัยด้านหน้าแบบแอ็คทีฟ หากคุณยังต้องการติดตั้งคาร์ซีทในตำแหน่งนี้ถุงลมนิรภัยจะต้องปิดตามคำแนะนำของผู้ผลิตรถยนต์
- หากคู่มืออุบัติเหตุไม่ว่าจะเล็กแค่ไหนควรเปลี่ยนคาร์ซีทของคุณเสมอ อาจมีความเสียหายที่ไม่สามารถมองเห็นได้และอาจส่งผลกระทบต่อความปลอดภัยของบุตรหลานของคุณ ด้วยเหตุนี้ Axford จึงไม่แนะนำให้ซื้อเบาะรถยนต์มีสอง
- หากคาร์ซีทถูกแสงแดดโดยตรงตรวจสอบให้แน่ใจว่าคาร์ซีทไม่ร้อนเกินไปก่อนติดตั้งลูกของคุณ
- อย่าทิ้งลูกไว้ในรถโดยไม่มีใครดูแล
- ตรวจสอบให้แน่ใจว่าสัมภาระหรือสิ่งของที่หลวมๆ อยู่ในรถของคุณเนื่องจากอาจทำให้ผู้โดยสารได้รับบาดเจ็บในกรณีที่เกิดอุบัติเหตุ
- ตรวจสอบให้แน่ใจว่าติดตั้งคาร์ซีทในลักษณะที่ไม่มีชิ้นส่วนติดอยู่กับเบาะนั่งที่เคลื่อนย้ายได้ประตูล
- หากคุณใช้สายรัดที่ยึดโยงกลางตรวจสอบให้แน่ใจว่าได้ติดตั้งในลักษณะที่มรบกวนการเคลื่อนไหวของเบาะรถยนต์ใด ๆ
- คาร์ซีทสามารถติดตั้งได้เฉพาะด้านหลังเท่านั้น
- ตรวจสอบให้แน่ใจเสมอว่าสายรัดได้รับการปรับให้พอดีกับร่างกายของบุตรหลานของคุณอย่างถูกต้องสายรัดถูกปรับโดยการเลื่อนส่วนรองรับศีรษะ
- ตรวจสอบให้แน่ใจว่าหลังของเด็กถูกผลักเข้ากับคาร์ซีทเมื่อควบคุมลูกของคุณด้วยสายรัด
- ตรวจสอบให้แน่ใจเสมอว่าสายรัดแนบกับลูกของคุณและหัวเข็มขัดล็อกอย่างสมบูรณ์คุณไม่ควรบีบสายรัด
- ตรวจสอบให้แน่ใจว่าสายรัดไม่มีการบิด
- ตรวจสอบให้แน่ใจเสมอว่าซารองรับอยู่ในตำแหน่งที่ถูกต้องและสัมผัสกับพื้นรถ ซารองรับเป็นคุณสมบัติด้านความปลอดภัยที่สำคัญมากที่ออกแบบมาเพื่อเพิ่มความปลอดภัยของบุตรหลานของคุณเมื่อเกิดอุบัติเหตุ
- อย่าพยายามถอดประกอบหรือดัดแปลงส่วนใดส่วนหนึ่งของคาร์ซีท การปรับประกันและประสิทธิภาพความปลอดภัยของเบาะรถยนต์อาจได้รับผลกระทบหากทำเช่นนั้น
- ห้ามใช้คาร์ซีทโดยไม่มีฝาคลุมเบาะนั่ง ฝาครอบสิ่งทอนี้เป็นคุณสมบัติด้านความปลอดภัยและอาจถูกแทนที่ด้วยผ้าห่มเบาะนั่งเดิมของ Axford เท่านั้น
- อ่านคู่มือรถและรายการรถที่ [www.axkid.com](http://www.axkid.com) เพื่อดูว่าตำแหน่งที่นั่งใดที่เหมาะสมกับที่นั่งในรถคันนี้
- Axford แนะนำให้ใช้อุปกรณ์ป้องกันที่นั่งเสมอเพื่อปกป้องเบาะรถยนต์ของคุณจากรอยขีดข่วนและสิ่งสกปรก
- หากคุณมีข้อสงสัยโปรดติดต่อผู้ค้าปลีกที่ซื้อคาร์ซีทหรือติดต่อ [info@axkid.com](mailto:info@axkid.com)



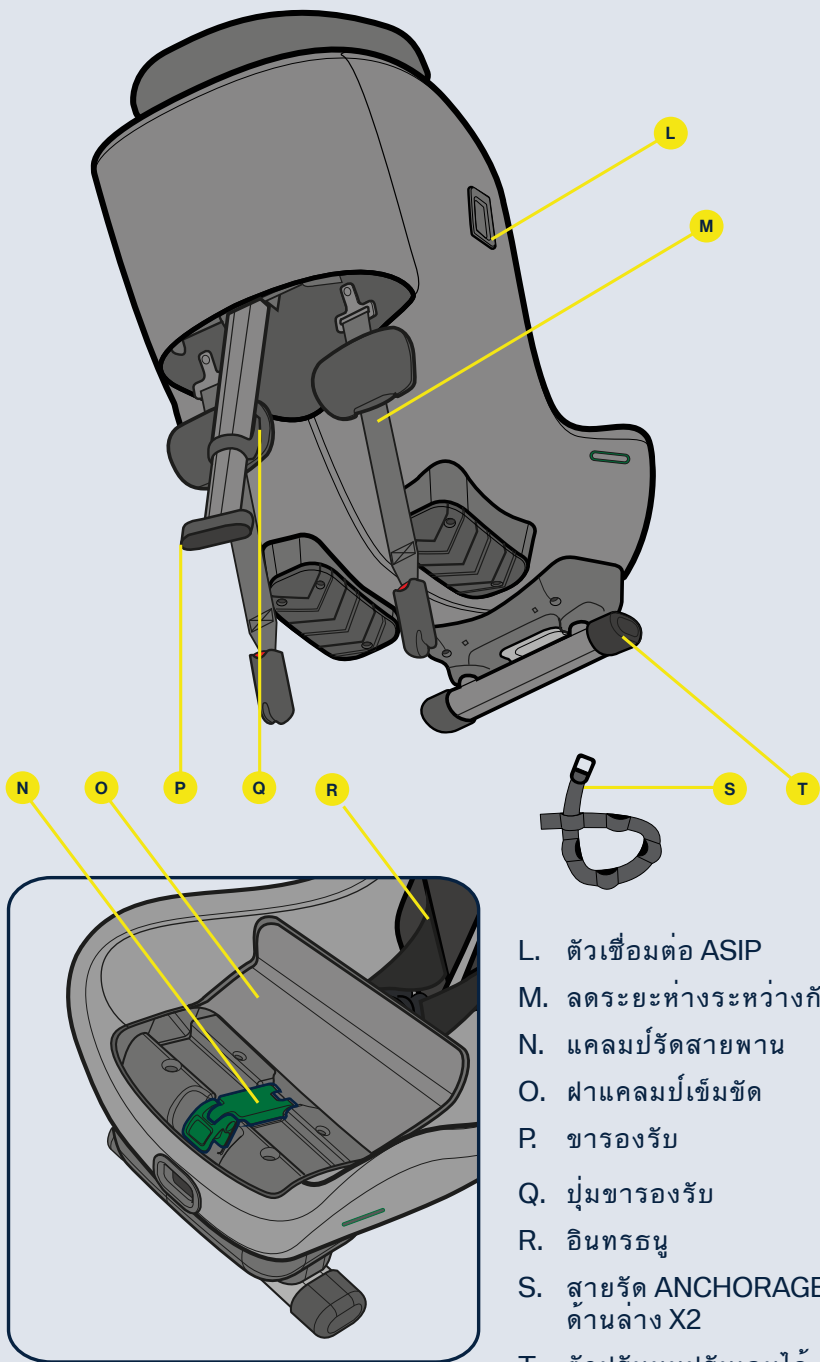
# สารบัญ

ขึ้น ล้วน	14
ตำแหน่งที่อนุญาตและไม่อนุญาตให้มีที่นั่งในรถยนต์ Axxid MINIKID 4	16
Lower Tether Anchorages	16
การติดตั้งสายรัดยึดสายคล้องด้านล่าง	17
การติดตั้ง Axxid MINIKID 4 ที่นั่งในรถ	18
ควบคุมลูกของคุณในที่นั่งในรถ Axxid MINIKID 4	19
การปรับพนักพิงศีรษะ	20
การถอดเบาะนั่งในรถ Axxid MINIKID 4 ออกจากรถ	20
การดูแลและบำรุงรักษา	21
รับประกัน	21

# ชั้น ล้วน



- A. พนักพิงศีรษะ
- B. สายรัดอินทิกวีล
- C. ปุ่มปลดหัวเข็มขัด
- D. ช่องใส่เข็มขัดนิรภัย
- E. ปุ่มปลดสายรัด
- F. สายรัดแรงดึง
- G. คันโยกปรับเอนได้
- H. คันเบรกพนักพิงศีรษะ
- I. แผ่น ASIP
- J. สรรพ
- K. เส้นแนวตั้ง

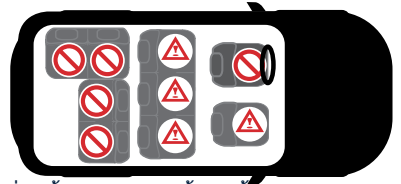




# ตำแหน่งที่อนุญาตและไม่อนุญาตให้มีที่นั่งในรถยนต์ Axkid MINIKID 4

เบาะนั่งในรถยนต์ Axkid MINIKID 4 สามารถติดตั้งได้เฉพาะด้านหลังเท่านั้น มันจะพอดีกับมากที่สุด แต่ไม่ใช่ทุกตำแหน่งที่นั่ง ตรวจสอบคู่มือการใช้งานรถของคุณเพื่อค้นหาตำแหน่งที่นั่งที่เหมาะสมและตรวจสอบรายชื่อรถบน [www.axkid.com](http://www.axkid.com)

เบาะนั่งผู้โดยสารด้านหน้า (ไม่มีถุงลมนิรภัยแบบแอ็คทีฟ)	ใช่/ไม่ใช่*
เบาะนั่งผู้โดยสารด้านหน้า (ถุงลมนิรภัยแบบแอ็คทีฟ)	ไม่ใช่
เบาะนั่งผู้โดยสารด้านหลังพร้อมเข็มขัดนิรภัยแบบ 3 จุด	ใช่
ที่นั่งพร้อมเข็มขัดนิรภัย 2 จุด	ไม่ใช่
เบาะนั่งหันหน้าไปทางด้านข้างและด้านหลัง	ไม่ใช่



**สำคัญ:** หากคุณต้องการติดตั้งคาร์ซีท Axkid MINIKID 4 ในตำแหน่งที่ติดตั้งถุงลมนิรภัยด้านหน้า ถุงลมนิรภัยจะตองถูกตัดการเชื่อมต่อตามคำแนะนำของผู้ผลิตรถยนต์ของคุณ โปรดทราบวารถยนต์บางคันต้องใช้ศูนย์บริการที่ได้รับอนุญาตเพื่อถอดถุงลมนิรภัย

\* ข้อบังคับทั่วไปของการจราจรในสเปนในมาตรา 117 กำหนดข้อห้ามในการขับขี่กับเด็กที่มีรูปร่างเท่ากับหรือน้อยกว่า 135 เซนติเมตรที่อยู่ในที่นั่งด้านหน้าของรถโดยไม่มีข้อยกเว้น



## Lower Tether Anchorages

### ข้อมูลสำคัญ

ที่ยึดโยงล่าง (LTA) ใช้เพื่อเพิ่มการปกป้องเด็กในรถยนต์โดยการติดตั้งที่มั่นคงและมั่นคงสำหรับเบาะรถยนต์ที่ติดตั้งด้านหลังแบบขยาย สิ่งนี้จะเพิ่มความปลอดภัยให้กับบุตรหลานของคุณในการชนทุกประเภทรวมถึงอุบัติเหตุพลิกคว่ำและการกระแทกด้านหลัง

สายโยงล่างเป็นวิธีการที่มีชื่อเสียงซึ่งใช้กันอย่างแพร่หลายในประเทศนอร์ดิกมานานกว่า 40 ปี ในปี 2020 มีการเปิดตัวมาตรฐานสากลใหม่สำหรับ LTA ISO13216-4: 2020 มาตรฐานนี้อธิบายถึงข้อกำหนดสำหรับสายโยงที่ต่ำกว่าสำหรับเบาะรถยนต์ แต่ຍังรวมถึงผู้ผลิตรถยนต์และจุดยึดด้วย จุดประสงค์คือเพื่อปรับปรุงความเข้ากันได้และสร้างความมั่นใจในการติดตั้งที่ปลอดภัยและง่ายตายสำหรับอนาคต

สายโยงล่าง Axkid MINIKID 4 เป็นไปตามมาตรฐาน ISO13216-4: 2020 ทำให้มั่นใจได้ว่าจะพอดีและติดตั้งง่ายในรถยนต์ที่มีที่ยึดสายโยงล่างที่ติดตั้งไว้ล่วงหน้าซึ่งเป็นไปตามมาตรฐานนี้ด้วย หากรถของคุณมีจุดยึดที่ไม่เป็นไปตามมาตรฐาน Axkid MINIKID 4 สายโยงล่างยังคงมีแนวโน้ม แต่ไม่รับประกันว่าจะพอดีที่ยึดโยงล่างที่ติดตั้งไว้ล่วงหน้าในยานพาหนะมักพบบนรถที่ติดตั้งกับพื้น แต่ยังไม่ตำแหน่งอื่น ๆ ด้วย ตรวจสอบคู่มือการใช้งานรถของคุณสำหรับข้อมูลเพิ่มเติมเกี่ยวกับจุดยึดที่ใช้ได้ หากรถของคุณไม่มีที่ยึดสายโยงล่างที่ติดตั้งไว้ล่วงหน้า Axkid MINIKID 4 มาพร้อมกับสายรัดยึดสายโยงล่าง (S) เพิ่มเติมซึ่งสามารถติดตั้งในรถของคุณได้ ดูคู่มือนี้สำหรับคำแนะนำในการติดตั้ง สายรัดเหล่านี้ยังเป็นไปตามมาตรฐาน ISO13216-4: 2020 และเมื่อติดตั้งอย่างถูกต้องจะให้ความปลอดภัยเช่นเดียวกับที่ยึดที่ติดตั้งไว้ล่วงหน้า ผู้ผลิตรถยนต์บางรายยังมีความเป็นไปได้ในการปรับปรุงที่ยึดโยงล่าง ติดต่อผู้ผลิตรถยนต์หรือตัวแทนจำหน่ายของคุณสำหรับข้อมูลเพิ่มเติม Axkid retrofit lower tether anchorages และ extra lower tether anchorage straps สามารถซื้อแยกต่างหากได้

**หมายเหตุ:** ห้ามใช้ Axkid MINIKID 4 โดยไม่มีสายโยงที่ต่ำกว่า สิ่งเหล่านี้เป็นคุณสมบัติด้านความปลอดภัยที่สำคัญและต้องใช้เสมอเมื่อติดตั้งคาร์ซีทของคุณ

# การติดตั้งสายรัดยึดสายคล้องด้านล่าง

หากรถของคุณไม่มีที่ยึดสายโยงด้านล่างที่ติดตั้งไว้ล่วงหน้า Axkid MINIKID 4 มาพร้อมกับสายรัดยึดโยงด้านล่างที่สามารถติดตั้งในรถของคุณได้ ขึ้นอยู่กับรถของคุณและตำแหน่งที่นั่งที่คุณเลือกติดตั้งคาร์ซีทของคุณมีจุดยึดที่เป็นไปได้มากมายที่จะใช้สำหรับการติดตั้งสายรัดแองเคอเรจ ดูทางเลือกอื่นด้านล่าง

ในการติดตั้งสายรัดยึดโยงล่าง (S) เพียงเดินสายคล้องรอบจุดยึดที่เลือกและร้อยที่ยึดโลหะผ่านช่องใดช่องหนึ่งบนสายรัด สายรัดแองเคอเรจมีหลายช่องให้ใช้ ตรวจสอบให้แน่ใจว่าได้ใช้ช่องใกล้กับที่ยึดโลหะมากที่สุดจึงติดตั้งที่ยึดโลหะให้ใกล้กับพื้นรถมากที่สุด เมื่อเสร็จแล้วให้ดึงที่ยึดโลหะเพื่อขันสายรัดให้แน่นและทำซ้ำขั้นตอนสำหรับสายรัดอื่น ๆ ใช้จุดยึดสองจุดเสมอเมื่อติดตั้ง Axkid MINIKID 4 และเลือกจุดยึดที่แยกออกจากกันเนื่องจากจะทำให้การติดตั้งมีเสถียรภาพมากขึ้น

## ตัวเลือกการกำหนดเส้นทางสายรัดแองเคอเรจ

- alt. **a** เดินสายคล้องรอบขอบของที่ยึดที่ติดตั้งไว้ล่วงหน้า (ใช้วิธีนี้เฉพาะในกรณีที่ยึดที่ติดตั้งไว้ล่วงหน้าไม่พอดีกับสายโยงด้านล่างโดยตรง)
- alt. **b** ติดตั้งสายรัดรอบรางที่นั่งด้านหน้าเบาะรถยนต์โดยเกลียวสายรัดระหว่างรางที่นั่งและพื้นรถหรือผ่านรูที่เหมาะสมของรางที่นั่ง
- alt. **c** ติดตั้งสายรัดรอบบานพับของเบาะรถยนต์ด้านหน้าเบาะรถยนต์โดยพันสายรัดระหว่างเบาะหลังรถและเบาะนั่ง
- alt. **d** ติดตั้งสายรัดรอบรางที่นั่งใต้เบาะรถยนต์โดยพันสายรัดระหว่างรางที่นั่งและพื้นรถหรือผ่านรูที่เหมาะสมของรางที่นั่ง
- alt. **e** เมื่อติดตั้ง Axkid MINIKID 4 ในที่นั่งผู้โดยสารด้านหน้าและไม่มีทางเลือกอื่นข้างต้นคุณสามารถติดสายรัดยึดสายโยงล่างเข้ากับจุดยึดที่เหมาะสมที่ด้านหลังของรถและดึงสายรัดใต้เบาะรถเข้ากับด้านบนของรถ ตรวจสอบให้แน่ใจว่าสายรัดที่ยึดออกมาจากด้านบนของที่นั่งและไม่ได้ออกมาจากด้านข้าง

**หมายเหตุ:** ตรวจสอบให้แน่ใจเสมอว่าการเปลี่ยนตำแหน่งของเบาะรถยนต์ไม่รบกวนหรือทำให้สายรัดยึดสายโยงด้านล่างที่ติดตั้งไว้เสียหาย

**หมายเหตุ:** ห้ามใช้ของมีคมเพื่อช่วยในการกำหนดเส้นทางสายรัดเนื่องจากอาจทำให้สายรัดเสียหายได้



# การติดตั้งคาร์ซีท Axkid MINIKID 4 ในรถยนต์

ก่อนติดตั้ง Axkid MINIKID 4 ตรวจสอบให้แน่ใจว่าคุณมีที่ยึดโยงลงในรถของคุณ ดูส่วนเกี่ยวกับจุดยึดโยงลงในคู่มือนี้สำหรับข้อมูลเพิ่มเติมและคำแนะนำในการติดตั้ง

1

คลายซิปและเปิดฝาคลุมเข็มขัด (O)

2

วาง Axkid MINIKID 4 บนเบาะนั่งในรถโดยให้ด้านหลังของเบาะรถหันหน้าไปทางด้านหน้าของรถ ปรับพื้นที่วางสำหรับบุตรหลานของคุณโดยเพียงแค่อันเบาะนั่งในรถไปมาบนเบาะรถ Axkid MINIKID 4 สามารถติดตั้งให้แน่นกับเบาะหลังของรถ แต่อาจไม่เคยติดตั้งโดยที่สนเทา (J) ห้อยอยู่เหนือขอบเบาะรถ ตรวจสอบให้แน่ใจว่าเส้นแนวตั้ง (K) บนสนเทา (J) ไม่ข้ามขอบของเบาะรถ

ปรับมุมของเบาะรถยนต์โดยกดคันปรับเอน (G) และเลือกตำแหน่งปรับเอนที่เหมาะสม เพื่อความปลอดภัยสูงสุดให้เลือกตำแหน่งตั้งตรงที่สุดในขณะเดียวกันก็มั่นใจได้ว่าศีรษะของลูกของคุณจะไม่ตกไปข้างหน้าเมื่อนอนหลับ ด้วยเหตุผลด้านความสะดวกสบายและความปลอดภัยควรปรับมุมปรับเอนให้อยู่ในตำแหน่งตั้งตรงมากขึ้นเมื่อลูกของคุณโตขึ้น โปรดทราบว่าเมื่อปรับความตึงของสายโยงกลาง (M) เบาะรถยนต์จะปรับเอนได้สูงขึ้นเล็กน้อยเมื่อจมนลงในเบาะรองนั่งของรถ เมื่อติดตั้ง Axkid MINIKID 4 ในที่นั่งผู้โดยสารด้านหน้าเป็นไปได้อื่นๆ ไม่จำเป็นสำหรับด้านหลังของที่นั่งในรถที่จะสัมผัสกับแผงหน้าปัด

3

เปิดคลุมปรับสายพาน (N) ดึงความยาวแขนของเข็มขัดนิรภัยในรถยนต์ออกแล้วร้อยผ่านช่องเข็มขัดนิรภัย (D) ที่อยู่ใกล้คุณที่สุด เดินสายพานผ่านคลุมปรับเข็มขัด (N) และร้อยผ่านช่องเข็มขัดนิรภัย (D) ที่ด้านตรงข้าม เชื่อมต่อเข็มขัดนิรภัยในรถยนต์เข้ากับหัวเข็มขัดนิรภัยและดึงส่วนไหลของเข็มขัดนิรภัยในรถยนต์อย่างแรงเพื่อขจัดความหย่อนทั้งหมดและเพื่อยึดเบาะรถยนต์ให้แน่นขึ้น เมื่อยึดเบาะรถยนต์อย่างแน่นหนาให้บิดคลุมปรับเข็มขัดนิรภัย (N) และล็อคเข็มขัดนิรภัยในรถยนต์ให้อยู่ในตำแหน่ง ตรวจสอบให้แน่ใจว่าทั้งเข็มขัดไหลและเข็มขัดติดถูกล็อคเข้าด้วยกันในคลุมปรับเข็มขัด (N) บิดฝาคลุมปรับสายพาน (O) และบิดซิปเพื่อทำการติดตั้งแน่นและมั่นคงยิ่งขึ้นให้ตกลงบนเบาะรถในขณะที่ดึงเข็มขัดไหล

4

ดึงสายโยงล่าง (M) ออกจากเบาะรถยนต์และเชื่อมต่อกับที่ยึดโยงล่างในรถของคุณดูส่วนเกี่ยวกับจุดยึดโยงล่างในคู่มือนี้สำหรับข้อมูลเพิ่มเติม กดลงที่ด้านบนของเบาะรถยนต์และกระดิกเบาะรถยนต์จากด้านหนึ่งไปอีกด้านหนึ่ง และ Axkid MINIKID 4 self-tensioning lower tethers (M) จะถูกปรับความตึงโดยอัตโนมัติ โดยการปรับความตึงของสายโยงล่าง (M) คุณจะกำหนดมุมปรับเอนสุดท้ายของเบาะรถด้วย ดันเบาะรถไปเรื่อยๆ จนกว่าจะยึดแน่นและคุณได้มุมปรับเอนที่เหมาะสม ตรวจสอบความองเห็นเครื่องหมายสีขาวยบนสายพานโยงด้านล่าง หากไม่เป็นเช่นนั้นที่ยึดโยงล่างจะอยู่ใกล้กับเบาะรถยนต์มากเกินไปและจำเป็นต้องปรับ หากไม่สามารถทำได้คุณสามารถขามสายโยงด้านล่างด้านหลังที่นั่งเพื่อให้ได้ระยะทางเพิ่มขึ้นอีกเล็กน้อย

5

ดึงซากรองรับ (P) ออกจากเบาะรถ กดปุ่มซากรองรับ (Q) และดึงซากรองรับ (P) ลงจนสัมผัสกับพื้นรถ ปลดปุ่มซากรองรับ (Q) และยกเบาะรถขึ้นด้านบนเพื่อขยายซากรองรับ (P) ต่อไปจนกว่าคุณจะได้ยินเสียงคลิก ซากรองรับ (P) ควรล็อคและกดให้แน่นกับพื้นรถ ตรวจสอบให้แน่ใจว่าซากรองรับ (P) ทำมุมประมาณ 10° ไปทางด้านหน้าของรถ ตรวจสอบเข็มขัดนิรภัยของรถยนต์อีกครั้งเพื่อให้แน่ใจว่ายังคงตั้งอย่างแน่นหนาและไม่มี ความหย่อนคล้อยเกิดขึ้นในเข็มขัดสะโพกในขณะที่ปรับสายโยงล่างและซากรองรับ หากสายพานรถสูญเสียความตึงไปบ้าง ให้ปรับความตึงใหม่โดยทำซ้ำขั้นตอนที่ 2 ของคู่มือนี้โดยไม่ต้องถอดสายโยงล่างออก

6

ดันแผ่น ASIP (I) เข้าไปในช่องบนหัวคอ ASIP (L) แล้วเลื่อนลงแผ่น ASIP (I) จะคลิกเข้าที่ หากมีฝาปิดพลาสติกบนหัวคอ ASIP (L) ให้ถอดออกและวางบนหัวคอ ASIP (L) ที่ด้านตรงข้ามของที่นั่งก่อนติดตั้งแผ่น ASIP (I) ตรวจสอบให้แน่ใจว่าแผ่น ASIP (I) ติดอยู่ที่ด้านข้างของเบาะรถ Axkid MINIKID 4 ที่อยู่ใกล้กับประตูลูกหลานที่สุด



# ควบคุมลูกของคุณในที่นั่งในรถ Axkid MINIKID 4

ก่อนที่จะควบคุมลูกของคุณในที่นั่งในรถ Axkid MINIKID 4 ตรวจสอบให้แน่ใจว่าคุณได้ติดตั้งอินเลย์ที่ถูกต้องในที่นั่ง Axkid MINIKID 4 ออกแบบมาเพื่อเติบโตไปพร้อมกับลูกของคุณและเพื่อให้แน่ใจว่าพอดีกับเด็กที่สะอึกสบายและปลอดภัย Axkid แนะนำให้ใช้อินเลย์จนกว่าจะแน่นเกินไปสำหรับลูกของคุณ แต่ให้มีความยาวขึ้นตามตารางด้านล่าง (โปรดทราบว่าอายุเป็นเพียงของบ่งชี้):

อายุ	ความสูง	
เด็กวัยหัดเดิน 0-3 ปี	61–105 cm	
เด็ก 3-7 ปี	106 – 125 cm	

Axkid MINIKID 4 มาพร้อมกับนักพิงศีรษะอัตโนมัติ (A) ที่จะลดระดับตัวเองให้อยู่ในตำแหน่งที่ถูกต้องเมื่อสายรัดถูกขันให้แน่น เพื่อให้แน่ใจว่าเหมาะสมที่สุด Axkid แนะนำให้ใช้คุณสมบัตินี้ทุกครั้งที่คุณย้ายยังลูกของคุณ ก่อนวางลูกไว้ในคาร์ซีท ตรวจสอบให้แน่ใจว่านักพิงศีรษะอัตโนมัติ (A) อยู่ในตำแหน่งปลดล็อก การปรับนักพิงศีรษะ (A) สำหรับข้อมูลเพิ่มเติม

7

ตรวจสอบให้แน่ใจว่าได้ตั้งค่าคันเบรกนักพิงศีรษะ (H) เป็นปลดล็อกแล้ว หากล็อกให้ดันคันโยกไปยังตำแหน่งที่ปลดล็อก

8

คลายสายรัดโดยกดปุ่มปลดสายรัด (E) และดึงสายสะพายไหล่ทั้งสองข้าง (R) ออกพร้อมกัน หลีกเลี่ยงการดึงสายรัดเพียงเส้นเดียวในขณะนั้น เนื่องจากอาจทำให้สายสะพายไหล่ (R) ไม่สม่ำเสมอได้ ตรวจสอบให้แน่ใจว่านักพิงศีรษะ (A) ดันขึ้นสุดตำแหน่งบนสุด

9

ปลดล็อกหัวเข็มขัดสายรัดโดยกดปุ่มปลดหัวเข็มขัด (C) และวางสายรัดไว้ด้านนอกที่นั่ง

10

วางลูกของคุณไว้ในที่นั่งและวางสายสะพายไหล่ (R) ไว้เหนือไหล่ของลูก ล็อคสายรัดโดยวางตำแหน่งขึ้นส่วนของหัวเข็มขัดที่ติดอยู่กับสายสะพายไหล่ (R) เขาควักกันก่อนแล้วดึงเข้าไปในหัวเข็มขัดจนกว่าคุณจะได้ยินเสียงคลิก

11

ดึงสายสะพายไหล่ (R) เพื่อกระชับสายรัดเหนือสะโพกของบุตรหลาน ในขณะที่รักษาความตึงในสายสะพายไหล่ (R) ดึงสายรัดความตึง (F) ตรงจากเบาะรถจนกว่าสายรัดจะแน่นพอคุณไม่ควรไถ่นิ้วมากกว่าหนึ่งนิ้วระหว่างสายสะพายไหล่ (R) และไหล่ของลูกของคุณ ในขณะที่ปรับความตึงสายรัดนักพิงศีรษะ (A) จะเลื่อนลงไปยังตำแหน่งที่ถูกต้องสำหรับลูกของคุณโดยอัตโนมัติ



## การปรับนักพิงศีรษะ

Axkid MINIKID 4 มาพร้อมกับนักพิงศีรษะอัตโนมัติ (A) ที่จะช่วยให้มั่นใจได้ว่านักพิงศีรษะ (A) อยู่ในตำแหน่งที่ดีที่สุดสำหรับลูกของคุณเสมอ เมื่อสายรัดถูกขยับให้แน่นนักพิงศีรษะ (A) จะลดระดับตัวเองให้มีความสูงที่ถูกต้องและล็อคตำแหน่งโดยอัตโนมัติ เมื่อคลายสายรัดนักพิงศีรษะ (A) จะเลื่อนกลับไปตำแหน่งบนสุดอีกครั้งและปลดล็อก เพื่อให้แน่ใจว่าเหมาะสมที่สุด Axkid แนะนำให้ใช้คุณสมบัตินี้ทุกครั้งที่คุณขยับยังลูกของคุณ

นักพิงศีรษะ (A) จะปลดล็อกในตำแหน่งบนสุดเท่านั้น ดังนั้นจึงเป็นเรื่องสำคัญที่ต้องตรวจสอบให้แน่ใจว่านักพิงศีรษะ (A) เคลื่อนที่ไปจนสุดที่ตำแหน่งบนสุดเมื่อคลายสายรัด มิฉะนั้นนักพิงศีรษะ (A) จะยังคงล็อคอยู่และไม่เลื่อนลงเมื่อปรับความตึงสายรัด

หากคุณต้องการปิดใช้งานคุณสมบัติการปรับอัตโนมัติและเก็บนักพิงศีรษะ (A) ให้อยู่ในตำแหน่งคงที่ไว้วางนักพิงศีรษะ (A) ในตำแหน่งที่ต้องการและเปลี่ยนคันเบรกนักพิงศีรษะ (H) ไปยังตำแหน่งล็อค ดอนนี้่นักพิงศีรษะ (A) ถูกล็อคด้วยความสูงและจะไม่เคลื่อนที่จนกว่าคุณจะเปลี่ยนคันเบรกนักพิงศีรษะ (H) กลับเป็นตำแหน่งที่ปลดล็อคอีกครั้ง

เมื่อใช้ Axkid MINIKID 4 กับนักพิงศีรษะ (A) ในตำแหน่งคงที่ ตรวจสอบให้แน่ใจว่านักพิงศีรษะ (A) อยู่ในตำแหน่งความสูงที่ถูกต้องสำหรับลูกของคุณ ตรวจสอบว่าสายสะพายไหล่ (R) ผ่านที่นั้งตรงจากไหล่ของบุตรหลานหรือสูงสุด 1 ซม. ขึ้นไป หากไม่เป็นเช่นนั้น ให้ปรับนักพิงศีรษะ (A) โดยเปลี่ยนคันเบรกนักพิงศีรษะ (H) เป็นตำแหน่งปลดล็อก และดันนักพิงศีรษะ (A) ไปที่ตำแหน่งบนสุดเพื่อปลดล็อก จากนั้นทำซ้ำขั้นตอน



## การถอดเบาะนั่งในรถ Axkid MINIKID 4 ออกจากรถ

- คลายซิปและเปิดฝาคลุมเข็มขัด (O) ปลดล็อคเข็มขัดนิรภัยในรถยนต์โดยกดปุ่มสีแดงบนหัวเข็มขัดนิรภัย เปิดแค้มป์คาดเข็มขัดนิรภัย (N) และดึงเข็มขัดนิรภัยของรถยนต์และนำทางผ่านช่องเข็มขัดนิรภัย (D) เพื่อถอดออกจากที่นั่งในรถ
- ปลดล็อกสายโยงด้านล่าง (M) โดยจับมือที่ขั้วต่อค้างไว้แล้วกดปุ่มสีแดงด้วยนิ้วหัวแม่มือ ในขณะที่เก็บขั้วต่อไว้ในมือให้ค่อยๆ ปล่อยให้ขั้วต่อสาย ระวังอย่าปล่อยให้ขั้วต่อสายโยงด้านล่างเนื่องจากจะหกกลับโดยอัตโนมัติด้วยความเร็วสูง
- กดปุ่มขารองรับ (Q) และขยุขารองรับ (P) ไปยังตำแหน่งที่สั้นที่สุด
- กดคันปรับเอน (G) และดันตัวปรับมุมปรับเอน (T) ไปยังตำแหน่งที่สั้นที่สุด ยก Axkid MINIKID 4 ออกจากรถ

เคล็ดลับ: ล็อคหัวเข็มขัดสายรัดและปรับสายรัดให้ตึงก่อนถอดเบาะรถออกจากรถ จากนั้นคุณสามารถใช้สายคล้องไหล่ (R) เป็นที่จับทำให้ง่ายต่อการยกเบาะรถออกและเคลื่อนย้ายออกนอกรถ

ข้อสำคัญ: ห้ามพกเบาะรถโดยถือนักพิงศีรษะ (A)

### การรีไซเคิลคาร์ซีทของคุณ



Axkid ขอแนะนำให้รีไซเคิลเบาะคาร์ซีทเก่า ก่อนส่งที่นั้งคาร์ซีทไปที่สถานีรีไซเคิลในพื้นที่ของคุณให้ตัดสายรัดออกจากที่นั้ง ถอดปลอกผ้า ถอดชิ้นส่วนโฟมออกให้มากที่สุด แยกชิ้นส่วนโลหะและพลาสติกถ้าเป็นไปได้ ชิ้นส่วนหลักของที่นั้งควรทำเครื่องหมายว่าไม่ปลดถักัยหรือหมดอายุ (ใช้เครื่องหมาย) เพื่อป้องกันไม่ให้ใครนำไปใช้ซ้ำ โปรดตรวจสอบแนวทางของเทศบาลในพื้นที่ของคุณสำหรับคำแนะนำในการรีไซเคิลวัสดุต่างๆ



## การดูแลและบำรุงรักษา

ปลอกที่นั่งผ้าสามารถซักด้วยเครื่องที่ 30° C โดยใช้ไหม้ดกนอมผ้า อย่าใส่ปลอกผ้าในเครื่องอบผ้าเพราะอาจทำให้ตัวปลอกเสียหายและตัวแผ่นรองอาจแยกออกจากปลอกผ้าได้ ไปที่ [www.axkid.com](http://www.axkid.com) เพื่อค้นหาวิดีโอที่อธิบายวิธีถอดและใส่ปลอกผ้าคาร์ซีท

หากจำเป็นต้องเปลี่ยนผ้าหุ้มเบาะที่นั่ง ให้ตรวจสอบว่าใช้เฉพาะผลิตภัณฑ์ดั้งเดิมจาก Axkid เท่านั้น หากมีการใช้ผลิตภัณฑ์อื่นๆ ระบบความปลอดภัยของคาร์ซีท Axkid อาจถูกรบกวนและอาจนำไปสู่การบาดเจ็บสาหัสในกรณีที่เกิดอุบัติเหตุ

ชิ้นส่วนพลาสติกใดๆ ของคาร์ซีท Axkid สามารถทำความสะอาดได้ด้วยน้ำและผงซักฟอกอ่อนๆ อย่าใช้สารเคมีที่มีฤทธิ์รุนแรงที่มีตัวทำลายหรือคล้ายกันเพราะอาจทำให้พลาสติกเสียหายและทำให้ความปลอดภัยของคาร์ซีทลดลง

### ถอดปลอกผ้าออก:

- ถอดแผ่น ASIP (I) ออกหากติดตั้งอยู่
- ดึงคันเบรกนักพิงศีรษะอัตโนมัติ (H) ไปที่ตำแหน่งปลดล็อคและคลายสายรัดโดยกดปุ่มปลดสายรัด (E) และดึงสายสะพายไหล่ (R) ทั้งสองออกพร้อมกัน
- คลายซิปสองอันที่ด้านล่างของพนักพิงศีรษะ (A) และดึงฝาครอบออกจากพนักพิงศีรษะ (A) อย่างระมัดระวัง
- ลดพนักพิงศีรษะ (A) ลงสู่ตำแหน่งต่ำสุดและเปลี่ยนคันเบรกนักพิงศีรษะอัตโนมัติ (H) ไปยังตำแหน่งล็อค
- ปลดล็อกหัวเข็มขัดสายรัดโดยกดปุ่มปลดหัวเข็มขัด (C) และถอดฝาครอบหัวเข็มขัดออก
- คลายซิปและเปิดฝาคลุมหัวเข็มขัด (O) และถอดฝาพลาสติก (O) ออกจากฝาครอบสิ่งทอ
- เปิดปุ่ม 4 ปุ่มบนฝาครอบสิ่งทอที่ด้านหลังของเบาะรถยนต์
- คลายซิปสองอันที่พนักพิงด้านในของคาร์ซีทและค่อยๆ ถอดปลอกผ้าออกจากคาร์ซีท โปรดใช้ความระมัดระวังรอบแผ่น ASIP และฝาครอบพลาสติกอื่นๆ เพื่อหลีกเลี่ยงความเสียหายต่อสิ่งทอ อย่างไรก็ตามเร่งเกินไป
- เปิดแผ่นรองไหล่และค่อยๆ ถอดออกจากเวลโคร

### ติดตั้งปลอกผ้า:

ยอนกลับขั้นตอนจากคำแนะนำด้านบนเพื่อติดตั้งปลอกผ้าบนคาร์ซีทอีกครั้ง

หมายเหตุ: แผ่นรองไหล่สามารถติดตั้งได้หลายตำแหน่ง ติดตั้งในตำแหน่งที่เหมาะสมกับลูกของคุณ แผ่นรองไหล่ควรวางที่ด้านบนของไหล่และบนหน้าอกของลูกของคุณ ตรวจสอบให้แน่ใจว่าด้านบนของแผ่นรองไหล่หันเข้าหาหน้าอกของบุตรหลานของคุณ

## รับประกัน

คาร์ซีท Axkid รับประกัน 24 เดือนนับจากวันที่ซื้อ ตรวจสอบให้แน่ใจว่าคุณบันทึกใบเสร็จและนำไปที่สถานที่ซื้อของคุณหากคุณมีปัญหากับการรับประกัน

การรับประกันไม่ครอบคลุมถึง:

- การสึกหรอตามปกติ
- ความเสียหายอันเนื่องมาจากการใช้งานที่ไม่ถูกต้องและเลอะหรืออุบัติเหตุ
- หากบุคคลที่สามดำเนินการซ่อมแซม
- วัสดุทั้งหมดที่ใช้มีระดับความต้านทานรังสีสูงมาก อย่างไรก็ตามแสงยูวีมีความรุนแรงมากและในที่สุดจะนำไปสู่การซีดจางของปลอกที่นั่ง สิ่งนี้ไม่ครอบคลุมอยู่ในการรับประกันของเราเนื่องจากถือว่าเป็นการสึกหรอตามปกติ
- จัปที่นั่งด้วยความระมัดระวัง ห้ามพกที่นั่งโดยถือพนักพิงศีรษะ (A)

# Дякуємо, що вибрали Axkid MINIKID 4

Прочитайте цю інструкцію з експлуатації, перш ніж встановлювати автокрісло у вашому автомобілі. Для отримання додаткової інформації та відео встановлення відвідайте [www.axkid.com](http://www.axkid.com).

**Axkid MINIKID 4** – це автокрісло, розташоване проти руху, дозволене для дітей зростом 61-125 см, вагою ≤36 кг.

Axkid MINIKID 4 підходить для використання приблизно з шестимісячного віку або з того моменту, коли ваша дитина може сидіти без підтримки.

Це спеціальна дитяча утримаюча система для дітей, яка встановлюється за допомогою ремня безпеки транспортного засобу. Вона схвалена відповідно до Правил ООН № 129 для використання в сумісних місцях для сидіння транспортних засобів, як зазначено в списку транспортних засобів. Якщо ви сумніваєтеся, зверніться до виробника покращеної системи безпеки для дітей ([www.axkid.com](http://www.axkid.com)) або до роздрібного продавця.

## Важлива інформація

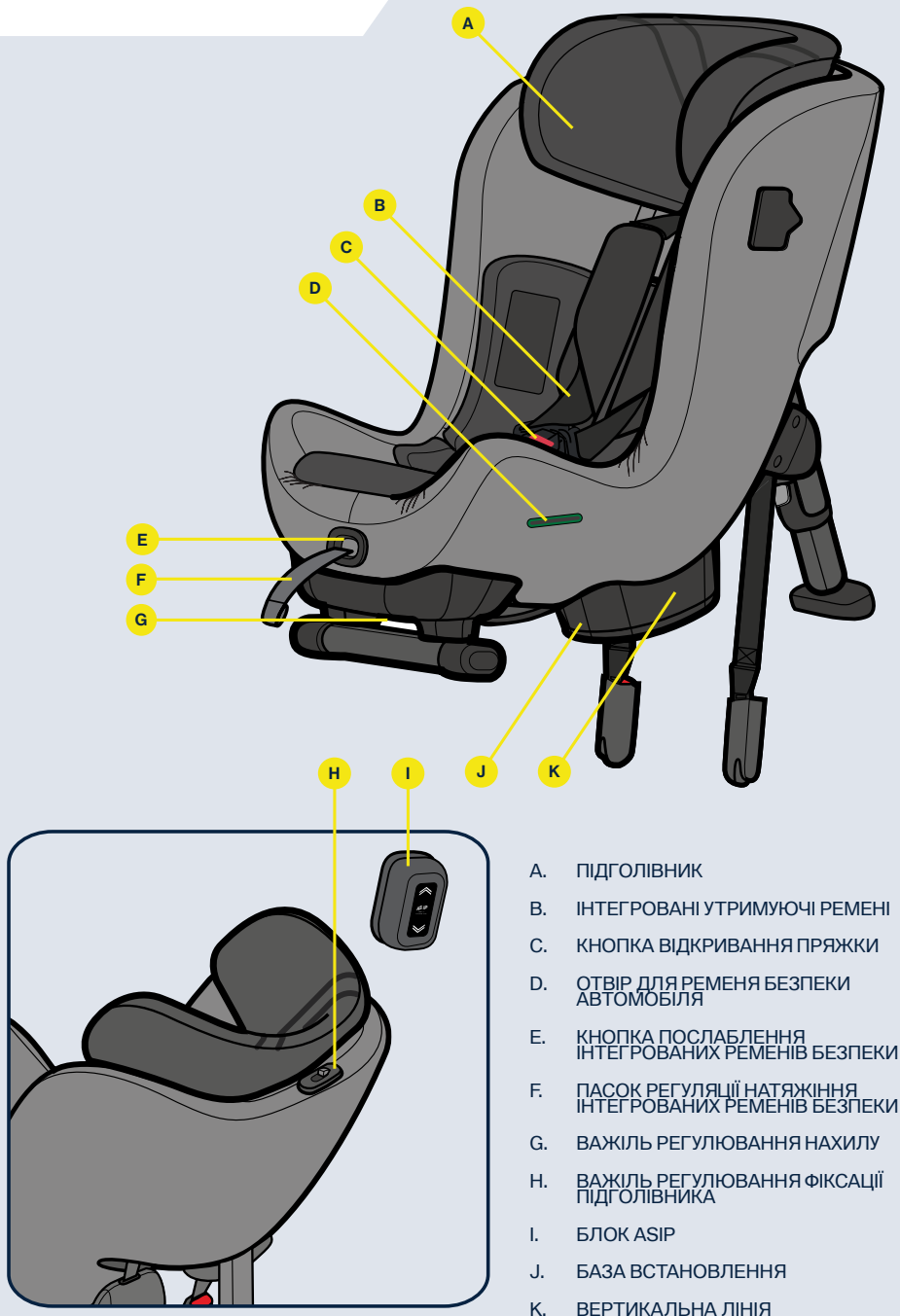
Щоб забезпечити максимальну безпеку вашої дитини, важливо пам'ятати про наступне:

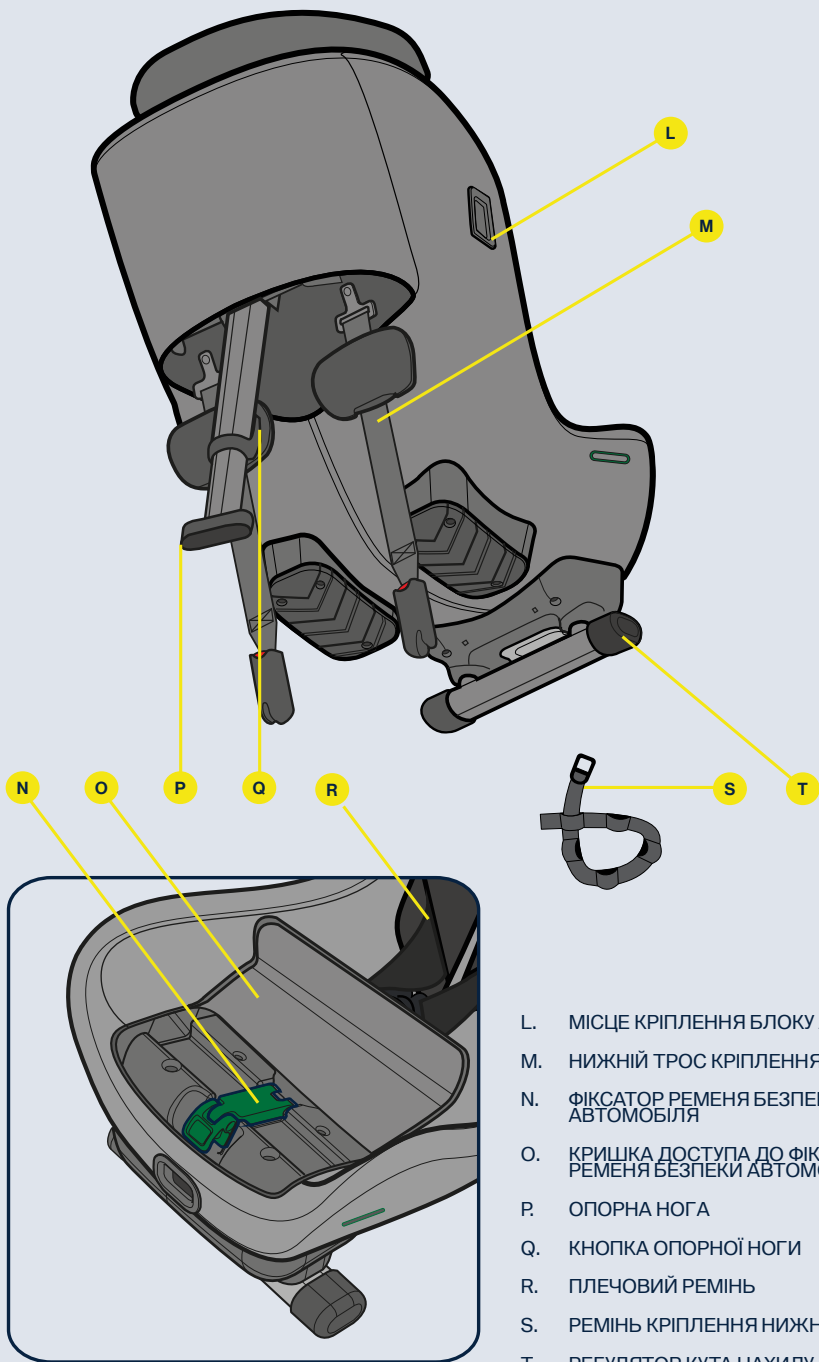
- Завжди дотримуйтесь правил у цій інструкції. Неправильне встановлення може серйозно вплинути на безпеку вашої дитини. Якщо ви сумніваєтеся, зверніться до свого продавця, який може продемонструвати правильне встановлення.
- Збережіть цю інструкцію для використання в майбутньому. Якщо посібник загубиться, його можна знайти в Інтернеті на сайті [www.axkid.com](http://www.axkid.com)
- Не використовуйте автокрісло в сидячому положенні, де встановлено активну фронтальну подушку безпеки. Якщо ви все ж бажаєте встановити автокрісло в цьому місці, подушку безпеки слід вимкнути відповідно до інструкцій виробника автомобіля.
- Якщо ви потрапили в аварію, незалежно від того, наскільки вона невелика, ваше автокрісло завжди слід замінити. Воно може мати невізуальні пошкодження та серйозно вплинути на безпеку вашої дитини. З цієї причини Axkid не рекомендує купувати вживані автокрісла.
- Якщо автомобільне крісло піддавалося впливу прямих сонячних променів, переконайтеся, що автокрісло не надто гаряче, перш ніж садити дитину.
- Ніколи не залишайте дитину без нагляду в автомобілі.
- Переконайтеся, що будь-який багаж або предмети закріплені у вашому автомобілі, оскільки вони можуть завдати травм пасажиром у разі аварії.
- Переконайтеся, що автокрісло встановлено таким чином, щоб жодні частини не затискалися рухомими сидіннями, дверима автомобіля тощо.
- Якщо ви використовуєте нижні кріпильні ремені, переконайтеся, що вони встановлені таким чином, щоб вони не заважали руху будь-якого сидіння автомобіля.
- Автокрісло можна встановлювати лише обличчям проти руху.
- Завжди переконайтеся, що ремені безпеки правильно підходять до тіла вашої дитини. Ремені регулюються переміщенням підголівника.
- Переконайтеся, що спина дитини притиснута до автокрісла, коли фіксуєте дитину ременем безпеки.
- Завжди переконайтеся, що ремені безпеки міцно затягнуті на вашій дитині, а пряжка повністю зафіксована. Ви не повинні мати змогу перетиснути ремені двома пальцями.
- Переконайтеся, що ремені не перекручені.
- Завжди переконайтеся, що опорна нога знаходиться у правильному положенні та має контакт з підлогою автомобіля. Опорна нога – це дуже важливий елемент безпеки, призначений для максимального захисту вашої дитини під час аварії.
- Не намагайтеся розібрати або змінити будь-яку частину автокрісла. Це може вплинути на гарантію та безпеку автокрісла.
- Ніколи не використовуйте автокрісло без текстильного чохла. Текстильний чохол для сидіння є засобом безпеки, і його можна замінити лише на оригінальний текстильний чохол Axkid.
- Ознайомтеся з посібником з експлуатації автомобіля та списком транспортних засобів на сайті [www.axkid.com](http://www.axkid.com), щоб дізнатися, які місця сидіння підходять для цього автокрісла.
- Axkid рекомендує завжди використовувати захист для сидіння, щоб захистити автомобільне сидіння від подряпин і бруду.
- Якщо у вас виникли сумніви, зверніться до продавця, де було придбано автокрісло, або за адресою [info@axkid.com](mailto:info@axkid.com)

# Зміст

Запчастини	224
Дозволене та заборонене розташування автокрісла Axkid MINIKID 4	226
Нижні кріплення троса	226
Встановлення кріплення троса до нижнього ременя	227
Встановлення автокрісла Axkid MINIKID 4 в автомобіль	228
Утримання дитини в автокріслі Axkid MINIKID 4	229
Регулювання підголівників	230
Зняття автокрісла Axkid MINIKID 4 з автомобіля	230
Догляд і обслуговування	231
Гарантія	231

# Запчастини





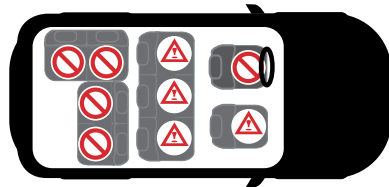
- L. МІСЦЕ КРІПЛЕННЯ БЛОКУ ASIP
- M. НИЖНІЙ ТРОС КРІПЛЕННЯ
- N. ФІКСАТОР РЕМЕНЯ БЕЗПЕКИ АВТОМОБІЛЯ
- O. КРИШКА ДОСТУПА ДО ФІКСАТОРА РЕМЕНЯ БЕЗПЕКИ АВТОМОБІЛЯ
- P. ОПОРНА НОГА
- Q. КНОПКА ОПОРНОЇ НОГИ
- R. ПЛЕЧОВИЙ РЕМІнь
- S. РЕМІнь КРІПЛЕННЯ НИЖНІХ ТРОСІВ
- T. РЕГУЛЯТОР КУТА НАХИЛУ



# Дозволене та заборонене розташування автокрісла Axkid MINIKID 4

Автокрісло Axkid MINIKID 4 можна встановлювати лише обличчям проти руху. Воно підходить для більшості, але не для всіх місць сидіння. Перегляньте інструкцію з експлуатації автомобіля, щоб знайти відповідні місця для сидіння, і перегляньте список транспортних засобів на [www.axkid.com](http://www.axkid.com)

Сидіння переднього пасажира (без активної подушки безпеки)	ТАК/НІ*
Сидіння переднього пасажира (активна подушка безпеки)	НІ
Заднє пасажирське сидіння з 3-точковим ременем безпеки	ТАК
Сидіння з 2-точковим ременем безпеки	НІ
Сидіння, спрямовані збоку та проти руху	НІ



**ВАЖЛИВО:** якщо ви бажаєте встановити автокрісло Axkid MINIKID 4 у місці, де встановлено фронтальну подушку безпеки, подушку безпеки слід вимкнути відповідно до інструкцій виробника автомобіля. Зауважте, що для відключення подушки безпеки деяких автомобілів потрібен авторизований сервісний центр.

**ВАЖЛИВО :** п.21.13 ПДР України Дитячі утримуючі системи встановлюють на місцях для сидіння, крім першого ряду. У разі перевезення дитини віком до трьох років у легковому автомобілі на місці для сидіння першого ряду допускається встановлення дитячих утримуючих систем, які встановлюються проти напрямку руху з обов'язковим відключенням фронтальної подушки безпеки цього місця для сидіння (у разі її наявності).

\*\* Стаття 117 Загальних правил дорожнього руху в Іспанії встановлює заборону на водіння з дітьми зростом 135 сантиметрів або менше, які знаходяться на передніх сидіннях транспортного засобу без винятків.



## Нижні кріплення троса Важлива інформація

Нижні кріплення троса (LTA) використовуються для посилення захисту дітей в автомобілях, забезпечуючи міцне та стабільне встановлення автокрісел, яке дозволяє подорожувати дитині у безпечному положенні проти руху, як найдовше. Це підвищує безпеку вашої дитини під час усіх типів зіткнень, включаючи випадки перекидання та удари ззаду.

Нижні троси – це добре відомий метод, який широко використовується в країнах Північної Європи вже понад 40 років. У 2020 році було випущено новий міжнародний стандарт для LTA ISO 13216-4:2020. Цей стандарт описує вимоги до нижніх тросів для автокрісел, а також для виробників транспортних засобів щодо вимог точок кріплення тросів у автомобілі. Мета полягає в тому, щоб покращити сумісність і забезпечити безпечний і простий спосіб встановлення на майбутнє.

Нижні троси Axkid MINIKID 4 відповідають стандарту ISO 13216-4:2020, забезпечуючи ідеальну посадку та легке встановлення в транспортних засобах із попередньо встановленими нижніми кріпленнями, які також відповідають цьому стандарту. Якщо у вашому транспортному засобі є точки кріплення, які не відповідають стандарту, нижні троси Axkid MINIKID 4, швидше за все, підійдуть, але не гарантовано.

Попередньо встановлені кріплення нижнього троса в транспортних засобах часто знаходяться на рейках сидіння, прикріплені до підлоги, але також використовуються інші положення. Перегляньте посібник з експлуатації вашого автомобіля, щоб отримати докладнішу інформацію про точки фіксації тросів, які можна використовувати.

Якщо у вашому транспортному засобі немає попередньо встановлених кріплень нижнього троса, Axkid MINIKID 4 постачається з додатковими ремнями кріплення нижнього троса (S), які можна встановити у вашому автомобілі. Інструкції щодо встановлення див. у цьому посібнику. Ці ремені також відповідають вимогам ISO 13216-4:2020 і при правильній установці забезпечують таку ж безпеку, як і попередньо встановлені кріплення.

Деякі виробники транспортних засобів також пропонують можливість модернізації кріплень нижнього троса. Щоб отримати додаткову інформацію, зверніться до виробника автомобіля або дилера. Доопрацьовані кріплення нижнього троса Axkid і додаткові ремені кріплення нижнього троса можна придбати окремо.

**Примітка:** ніколи не використовуйте Axkid MINIKID 4 без нижніх ременів. Вони є важливим елементом безпеки, і їх слід завжди використовувати під час встановлення автокрісла.

# Встановлення ременів кріплення нижнього троса

Якщо у вашому транспортному засобі немає відповідних попередньо встановлених кріплень нижнього троса, Axkid MINIKID 4 постачається з ременями кріплення нижнього троса, які можна встановити у вашому автомобілі. Залежно від вашого транспортного засобу та положення сидіння, на яке ви вирішите встановити автокрісло, існують різні точки кріплення, які можна використовувати для встановлення ременів кріплення нижніх тросів. Дивіться альтернативи нижче.

Щоб встановити нижні ремені кріплення тросів (S), просто протягніть ремінь навколо вибраної точки кріплення та протягніть металеве кріплення через один із пазів на самому ремені. Нижній ремінь кріплення тросів має кілька прорізів для використання. Обов'язково використовуйте отвір якомога ближче до металевого кріплення, таким чином встановлюючи металеве кріплення якомога ближче до підлоги автомобіля. Коли це буде зроблено, потягніть за металевий кінець нижнього ремня кріплення тросів, щоб затягнути нижній ремінь кріплення тросів, і повторіть процес для іншого нижнього ремня кріплення тросів. Завжди використовуйте ці дві точки кріплення під час встановлення Axkid MINIKID 4 і обирайте розділені точки кріплення, оскільки це забезпечує більш стабільне встановлення.

## Варіанти прокладки нижнього ремня кріплення тросів.

- alt. **a** Проведіть нижній ремінь кріплення тросів навколо краю попередньо встановленого кріплення (використовуйте цей метод, лише якщо попередньо встановлені кріплення не підходять безпосередньо до нижніх тросів).
- alt. **b** Встановить нижній ремінь кріплення тросів навколо рейок автомобільного сидіння перед автокріслом, протягнувши ремінь між рейками сидіння та підлогою автомобіля або через відповідний отвір на рейках автомобільного сидіння.
- alt. **c** Встановить нижній ремінь кріплення тросів зробивши петлю навколо автомобільного сидіння перед автокріслом, протягнувши нижній ремінь кріплення тросів між спинкою цього сидіння автомобіля та подушкою цього сидіння.
- alt. **d** Встановить нижній ремінь кріплення тросів навколо рейок автомобільного сидіння під автомобільним сидінням, протягнувши нижній ремінь кріплення тросів між рейками автомобільного сидіння та підлогою автомобіля або через відповідний отвір на рейках автомобільного сидіння.
- alt. **e** Якщо Axkid MINIKID 4 встановлено на передньому пасажирському сидінні, і жоден із наведених вище варіантів недоступний, можна прикріпити нижні ремені кріплення тросів до відповідної точки кріплення в задній частині автомобіля та прокласти нижні ремені кріплення тросів під сидінням автомобіля до передньої частини автомобіля. Переконайтеся, що нижні ремені кріплення тросів виходять з передньої частини пасажирського сидіння, а не з боків.

**Примітка:** Завжди переконайтеся, що зміна положення будь-якого сидіння автомобіля не заважає та не пошкоджує встановлені ремені кріплення нижнього ремня.

**Примітка:** Ніколи не використовуйте гострі предмети для прокладання нижніх ременів кріплення тросів, оскільки це може пошкодити нижній ремінь кріплення тросів.



# Встановлення автокрісла Axkid MINIKID 4 в автомобіль

Перш ніж встановлювати Axkid MINIKID 4, переконайтеся, що у вашому автомобілі є нижні ремні кріплення тросів. Щоб отримати додаткову інформацію та інструкції зі встановлення, перегляньте розділ про кріплення нижнього троса у цьому посібнику.

1

Розстібніть блискавку та відкрийте кришку доступу до фіксатора ремня безпеки автомобіля (O).

Встановіть Axkid MINIKID 4 на сидіння автомобіля спинкою автокрісла до передньої частини автомобіля. Відрегулюйте простір для ніг вашої дитини, просто пересуваючи автокрісло вперед-назад на сидінні автомобіля. Axkid MINIKID 4 можна встановлювати щільно до спинки сидіння автомобіля, але ніколи не можна встановлювати так, щоб БАЗА ВСТАНОВЛЕННЯ (J) висіла над краєм сидіння автомобіля. Переконайтеся, що вертикальна лінія (K) на БАЗІ ВСТАНОВЛЕННЯ (J) не перетинає край сидіння автомобіля.

2

Відрегулюйте кут нахилу автокрісла, натиснувши важіль регулювання нахилу (G) і виберіть відповідне положення нахилу. Для максимальної безпеки вибирайте максимально вертикальне положення, а також переконайтеся, що голова вашої дитини не впадає вперед під час сну. З міркувань комфорту та безпеки кут нахилу спинки слід регулювати до більш вертикального положення, у міру зростання дитини. Зауважте, що під час натягування нижніх тросів (M) автокрісло буде трохи більше нахилено, оскільки воно занурюється в подушку сидіння автомобіля. При встановленні Axkid MINIKID 4 на передньому пасажирському сидінні можливо, але не обов'язково, щоб спинка автокрісла торкалася панелі приладів.

3

Відкрийте ФІКСАТОР РЕМНЯ БЕЗПЕКИ АВТОМОБІЛЯ (N). Витягніть автомобільний ремінь безпеки на довжину руки та протягніть його через найближчий до вас отвір для ремня безпеки автомобіля (D). Протягніть ремінь через ФІКСАТОР РЕМНЯ БЕЗПЕКИ АВТОМОБІЛЯ (N) і протягніть його через отвір ремня безпеки автомобіля (D) на протилежному боці. З'єднайте ремінь безпеки автомобіля з замком ремня безпеки та сильно потягніть плечову частину ремня безпеки автомобіля, щоб усунути всю слабину та закріпити автокрісло. Чим сильніше ви натягуєте, тим міцніше буде встановлення. Коли автокрісло міцно закріплено, закрийте ФІКСАТОР РЕМНЯ БЕЗПЕКИ АВТОМОБІЛЯ (N) і зафіксуйте ремінь безпеки автомобіля. Переконайтеся, що плечовий і поясний ремінь безпеки автомобіля разом зафіксовані в ФІКСАТОРІ РЕМНЯ БЕЗПЕКИ АВТОМОБІЛЯ (N). Закрийте КРИШКУ ДОСТУПА ДО ФІКСАТОРА РЕМНЯ БЕЗПЕКИ АВТОМОБІЛЯ (O) і застібніть блискавку. Щоб забезпечити ще більш міцне та стабільне встановлення, натисніть на автокрісло, потягнувши плечовий ремінь.

4

Витягніть нижні троси (M) із автокрісла та під'єднайте їх до кріплень нижнього троса у вашому автомобілі. Для отримання додаткової інформації див. розділ про кріплення нижнього троса в цьому посібнику. Натисніть на верхню частину автокрісла та покритіть автокріслом з боку в бік, і самонатягуючі нижні троси Axkid MINIKID 4 (M) автоматично натягнуться. Натягнувши нижні троси (M), ви також встановите остаточний кут нахилу автокрісла. Продовжуйте натискати на автокрісло, доки воно не буде надійно закріплено, і ви не досягнете відповідного кута нахилу. Перевірте, чи видно білу позначку на нижньому тросі. Якщо ні, нижні кріплення тросів розташовані надто близько до автокрісла і їх потрібно відрегулювати. Якщо це неможливо, ви також можете перехрестити нижні троси за сидінням, щоб збільшити відстань.

5

Витягніть опорну ногу (P) із автокрісла. Натисніть кнопку опорної ноги (Q) і потягніть опорну ногу (P) вниз, поки вона не торкнеться підлоги автомобіля. Відпустіть кнопку опорної ноги (Q) і підніміть автокрісло вгору, щоб ще більше витягнути опорну ногу (P), доки не почуєте клацання. Тепер опорна нога (P) має бути зафіксована та щільно притиснута до підлоги автомобіля. Переконайтеся, що опорна нога (P) розташована під кутом приблизно 10° до передньої частини автомобіля. Перевірте ремінь безпеки автомобіля ще раз, щоб переконаватися, що він все ще міцно натягнутий і що стенова частина реміня безпеки автомобіля не провисла під час натягування нижніх тросів та опорної ноги. Якщо автомобільний ремінь трохи втратив натягіння, просто знову натягніть його, повторивши крок 2 цього посібника, не від'єднуючи нижні троси.

6

Просуньте блок ASIP (I) у гнізда на місці кріплення блоку ASIP (L) і посуňte вниз, блок ASIP (I) стане на місце із клацанням. Якщо на місці кріплення блоку ASIP (L) є пластикова кришка, зніміть її та розташуйте на місці кріплення блоку ASIP (L) на протилежному боці автокрісла перед тим, як встановити блок ASIP (I). Переконайтеся, що блок ASIP (I) прикріплен на тій стороні автокрісла Axkid MINIKID 4, яка ближче до дверей автомобіля.





# Утримання дитини в автокріслі Axkid MINIKID 4

Перш ніж посадити дитину в автокрісло Axkid MINIKID 4, переконайтеся, що в автокріслі встановлена правильна вкладка. Axkid MINIKID 4 розроблений, щоб рости разом з вашою дитиною та забезпечити комфортну та безпечну посадку для дітей. Axkid рекомендує використовувати вкладку, доки вона не стане занадто тісною для вашої дитини, але до мінімальної довжини відповідно до таблиці нижче (зверніть увагу, що вік є лише орієнтиром):

Вік	Зріст	
Малюк 0-3 роки	61– 105 cm	
Дитина 3-7 років	106 – 125 cm	

Axkid MINIKID 4 оснащений автоматичним підголівником (A), який опускається в правильне положення, коли ремені затягуються. Щоб забезпечити найкращу посадку, Axkid рекомендує використовувати цю функцію кожного разу, коли ви фіксуєте дитину. Перш ніж посадити дитину в автокрісло, переконайтеся, що автоматичний підголівник (A) знаходиться в розблокованому положенні. Для отримання додаткової інформації дивіться розділ Регулювання підголівника (A).

7

Переконайтеся, що **ВАЖИЛЬ РЕГУЛЮВАННЯ ФІКСАЦІЇ ПІДГОЛІВНИКА (H)** розблоковано. Якщо заблоковано, перемістіть важіль у розблоковане положення.

8

Послабте ремені, натиснувши кнопку **КНОПКА ПОСЛАБЛЕННЯ ІНТЕГРОВАНИХ РЕМЕНІВ БЕЗПЕКИ (E)**, і витягніть обидва плечові ремені (R) одночасно. Уникайте тягнути лише один ремінь за раз, оскільки це може призвести до того, що плечові ремені (R) стануть нерівними. Переконайтеся, що підголівник (A) піднято у верхнє положення.

9

Розблокуйте пряжку ременя, натиснувши **КНОПКА ВІДКРИВАННЯ ПРЯЖКИ (C)**, і розмістіть ремені поза межами автокрісла.

10

Помістіть дитину в крісло та застебніть плечові ремені (R) через плече дитини. Зафіксуйте ремені, спершу з'єднавши частини пряжки, які прикріплені до плечових ременів (R), а потім проштовхніть їх у пряжку, доки не почуєте клацання.

11

Потягніть плечові ремені (R), щоб затягнути ремені на стегнах дитини. Зберігаючи натяг плечових ременів (R), тягніть **ПАСОК РЕГУЛЯЦІЇ НАТЯЖІННЯ ІНТЕГРОВАНИХ РЕМЕНІВ БЕЗПЕКИ (F)** прямо з автокрісла, доки плечові ремені не будуть достатньо затягнуті, та ви не зможете просунути більше одного пальця між плечовими ременями (R) і плечами вашої дитини. Під час натягування ременів підголівник (A) автоматично опуститься в правильне положення для вашої дитини.



## Регулювання підголівників

Axkid MINIKID 4 оснащений автоматичним підголівником (А), який гарантує, що підголівник (А) завжди буде в найкращому положенні для вашої дитини. Коли пасок регулювання ременів натягується, підголівник (А) опуститься на потрібну висоту й автоматично зафіксується в положенні. Коли пасок регулювання ременів буде послаблено, підголівник (А) знову повернеться у верхнє положення та розблокується. Щоб забезпечити найкращу посадку, Axkid рекомендує використовувати цю функцію кожного разу, коли ви фіксуєте дитину.

Підголівник (А) розблокується лише у верхньому положенні. Тому важливо переконатися, що підголівник (А) повністю переміщається у верхнє положення під час послаблення ременів за допомогою паска, інакше підголівник (А) залишиться заблокованим і не зрушиться вниз під час натягування ременів.

Якщо ви хочете вимкнути функцію автоматичного регулювання та зафіксувати підголівник (А) у фіксованому положенні, поставте підголівник (А) у потрібне положення та переведіть ВАЖІЛЬ РЕГУЛЮВАННЯ ФІКСАЦІЇ ПІДГОЛІВНИКА(Н) у заблоковане положення. Підголівник (А) тепер зафіксовано по висоті і він не рухатиметься, доки ви знову не переведете ВАЖІЛЬ РЕГУЛЮВАННЯ ФІКСАЦІЇ ПІДГОЛІВНИКА (Н) у розблоковане положення.

Використовуючи ваш Axkid MINIKID 4 із зафіксованим підголівником (А), переконайтеся, що підголівник (А) розміщено на правильній висоті для вашої дитини. Переконайтеся, що плечові ремені (R) проходять через крисло прямо з плечей вашої дитини або максимум на 1 см вище. Якщо ні, відрегулюйте підголівник (А), перевівши ВАЖІЛЬ РЕГУЛЮВАННЯ ФІКСАЦІЇ ПІДГОЛІВНИКА (Н) у розблоковане положення та посунивши підголівник (А) у верхнє положення, щоб розблокувати його, а потім повторіть процедуру.



## Зняття автокрісла Axkid MINIKID 4 з автомобіля

- Розстебніть блискавку та відкрийте КРИШКА ДОСТУПА ДО ФІКСАТОРА РЕМЕНЯ БЕЗПЕКИ АВТОМОБІЛЯ (O). Розблокуйте ремінь безпеки автомобіля, натиснувши червону кнопку на замку фіксації ременя безпеки автомобіля. Відкрийте ФІКСАТОР РЕМЕНЯ БЕЗПЕКИ АВТОМОБІЛЯ(N), потягніть ремінь безпеки автомобіля та протягніть його через отвори ременя безпеки автомобіля (D), щоб зняти його з автокрісла.
- Розблокуйте нижні троси (M), тримаючись рукою за роз'єми та натискаючи великим пальцем на червону кнопку. Тримаючи роз'єм у руці, повільно потягніть його назад до автокрісла. Будьте обережні, щоб не відпустити нижній роз'єм шнура, оскільки він автоматично втягнеться назад із високою швидкістю.
- Натисніть кнопку опорної ноги (Q) і складіть опорну ноги (P) до найкоротшого положення.
- Натисніть важіль регулювання нахилу (G) і натисніть регулятор кута нахилу (T) у найкоротше положення. Підніміть Axkid MINIKID 4 з автомобіля.

**Порада:** зафіксуйте в замок інтегровані ремені безпеки та натягніть пасок, який регулює інтегровані ремені безпеки, перш ніж знімати автокрісло з автомобіля. Після цього ви можете використовувати інтегровані плечові ремені (R) як ручку для перенесення, що полегшить підняття автокрісла та транспортування його поза транспортним засобом.

**Важливо:** Ніколи не переносьте автокрісло, тримаючи його за підголівник (А).

### Переробка вашого автокрісла



Axkid наполегливо рекомендує переробляти старі автокрісла. Перш ніж залишити сидіння на місцевій станції переробки, відріжте ремені безпеки від сидіння, зніміть текстильний чохол, видаліть якомога більше деталей із пінополістиролу, відокремте металеві та пластикові частини, якщо можливо. Основна частина крісла повинна бути позначена як небезпечна або прострочена (використовуйте маркер), щоб ніхто не користувався нею знову. Будь ласка, перевірте ваші місцеві муніципальні вказівки щодо інструкцій щодо переробки різних матеріалів.

# Догляд і обслуговування

Текстильний чохол автокрісла можна прати в машині при 30° С у режимі делікатного прання. Не кладіть чохол у сушильну машину, оскільки це може пошкодити чохол, а набивка може відокремитися від тканини. Відвідайте [www.axkid.com](http://www.axkid.com), щоб знайти відео, які пояснюють, як зняти та прикріпити чохол.

Якщо чохол автокрісла потребує заміни, переконайтеся, що використовуються лише оригінальні продукти Axkid. Якщо використовуються інші продукти, система безпеки автокрісла Axkid може бути порушена, що може призвести до серйозних травм у разі аварії.

Будь-які пластикові деталі автокрісла Axkid можна мити м'яким миючим засобом і водою. Не використовуйте агресивні хімікати, що містять розчинники або подібні, оскільки це може пошкодити пластик і поставити під загрозу безпеку автокрісла.

## Зніміть текстильне покриття:

- Зніміть блок ASIP (I), якщо він прикріплен.
- Встановіть ВАЖИЛЬ РЕГУЛЮВАННЯ ФІКСАЦІЇ ПІДГОЛІВНИКА (H) у розблоковане положення та послабте ремені безпеки, натиснувши кнопку розблокування ременя (E), і одночасно витягніть обидва інтегровані плечові ремені (R).
- Розстебніть дві блискавки на нижній стороні підголівника (A) і обережно зніміть чохол з підголівника (A).
- Опустіть підголівник (A) у найнижче положення та переведіть ВАЖИЛЬ РЕГУЛЮВАННЯ ФІКСАЦІЇ ПІДГОЛІВНИКА (H) у заблоковане положення.
- Розблокуйте пряжку ременя, натиснувши КНОПКА ВІДКРИВАННЯ ПРЯЖКИ (C) і зніміть кришку пряжки.
- Розстебніть блискавку, відкрийте КРИШКА ДОСТУПА ДО ФІКСАТОРА РЕМЕНЯ БЕЗПЕКИ АВТОМОБІЛЯ (O) і зніміть текстильний чохол з КРИШКИ ДОСТУПА ДО ФІКСАТОРА РЕМЕНЯ БЕЗПЕКИ АВТОМОБІЛЯ (O).
- Відкрийте 4 кнопки на текстильному чохлі на задній частині автокрісла.
- Розстебніть дві блискавки на спинці з внутрішньої сторони автокрісла та обережно зніміть текстильний чохол з автокрісла. Будьте обережні навколо блока ASIP та інших пластикових накладок, щоб не пошкодити текстиль. Не тягніть занадто сильно.
- Відкрийте наплічники та обережно зніміть їх із липучок.

## Встановити текстильний чохол:

- Виконайте кроки, описані вище, у зворотному порядку, щоб знову встановити текстильний чохол на автокрісло.

**Примітка:** плечові накладки можна встановити в різних положеннях. Встановіть їх у зручному для вашої дитини положенні, наплічники повинні розташовуватися зверху на плечах та на грудях вашої дитини. Також переконайтеся, що гумова сторона наплічника спрямована до грудей вашої дитини.

# Гарантія

На автокрісло Axkid поширюється гарантія 24 місяці з дати покупки. Обов'язково збережіть свій чек і принесіть його до місця покупки, якщо у вас виникнуть проблеми з гарантією.

Гарантія не поширюється на:

- Повсякденний знос.
- Пошкодження через неправильне використання, недбалість або нещасний випадок.
- Якщо ремонт проводився третьою стороною.
- Усі використані матеріали мають дуже високий рейтинг стійкості до ультрафіолету. Однак ультрафіолетове світло є дуже агресивним і зрештою призведе до вицвітання покриття сидіння. На це не поширюється наша гарантія, оскільки це вважається повсякденним зносом.
- Обережно поведіться з сидінням. Ніколи не несіть автокрісло, тримаючи за підголівник (A).

# Hvala vam što ste odabrali Axkid MINIKID 4

Pročitajte ovaj priručnik za upute prije nego što instalirate autosjedalicu u vozilo. Za više informacija i videozapisa o instalaciji posjetite [www.axkid.com](http://www.axkid.com).

**Axkid MINIKID 4** je autosjedalica koja se postavlja okrenuta u suprotan smjer vožnje i odobrena je za djecu visine između 61 i 125 cm, težine do 36 kg.

Axkid MINIKID 4 je pogodan za upotrebu otprilike od šest mjeseci starosti ili od trenutka kada vaše dijete može samostalno sjediti.

Ovo je integrirani specifični sustav pojačane dječje sigurnosne sjedalice koja se osigurava s pojasevima vozila. Odobren je prema UN regulativi br. 129 za upotrebu na kompatibilnim sjedalima u vozilu kako je naznačeno na popisu vozila. Ako imate sumnji, konzultirajte proizvođača pojačane dječje sigurnosne sjedalice ([www.axkid.com](http://www.axkid.com)) ili trgovca.

## Važne informacije

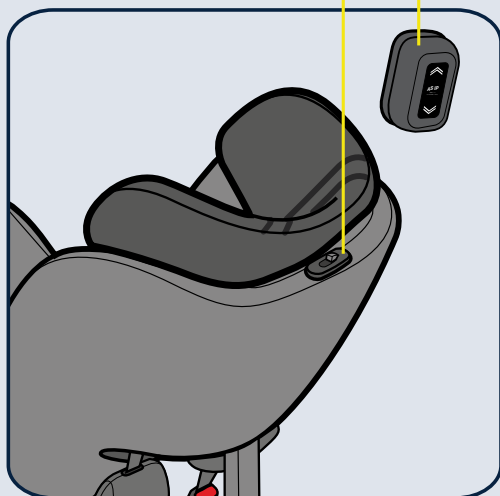
Kako biste maksimizirali sigurnost vašeg djeteta, važno je da imate na umu sljedeće:

- Uvijek slijedite upute u ovom priručniku. Nepravilna instalacija može ozbiljno ugroziti sigurnost vašeg djeteta. Ako imate bilo kakvih sumnji, kontaktirajte svog prodavača koji može pokazati ispravnu instalaciju.
- Čuvajte ovaj priručnik za buduću referencu. Ako izgubite priručnik, možete ga pronaći na mrežnoj stranici [www.axkid.com](http://www.axkid.com).
- Nemojte koristiti autosjedalicu na sjedalu gdje je instaliran aktivni prednji zračni jastuk. Ako ipak želite instalirati autosjedalicu na toj lokaciji, zračni jastuk mora biti isključen prema uputama proizvođača vozila.
- Ako imate nesreću, bez obzira na to koliko mala, vašu autosjedalicu uvijek treba zamijeniti. Može imati oštećenja koja nisu vidljiva i koja bi mogla ozbiljno ugroziti sigurnost vašeg djeteta. Iz tog razloga, Axkid ne preporučuje kupnju rabljenih autosjedalica.
- Ako je autosjedalica bila izložena izravnom sunčevom svjetlu, provjerite je li autosjedalica dovoljno ohlađena prije nego što smjestite vaše dijete u nju.
- Nikada ne ostavljajte svoje dijete samo u vozilu.
- Osigurajte da su sva prtljaga ili slobodni predmeti pričvršćeni u vašem vozilu jer mogu uzrokovati ozljede putnicima u slučaju nesreće.
- Osigurajte da je autosjedalica instalirana na način da se nijedan dio ne može zaglaviti između pokretnih sjedala, vrata automobila, itd.
- Ako koristite donje trake za pričvršćivanje, pobrinite se da su instalirane na način da ne ometaju pokretanje bilo kojeg sjedala u vozilu.
- Autosjedalica se smije postaviti samo okrenuta u suprotan smjer vožnje.
- Uvijek se pobrinite da su pojasevi pravilno podešeni kako bi odgovarali tijelu vašeg djeteta. Pojasevi se podešavaju pomicanjem naslona za glavu.
- Pobrinite se da su djetetova leđa prislonjena uz autosjedalicu kada ga pričvršćujete pojasevima.
- Uvijek se pobrinite da su pojasevi čvrsto zategnuti oko djeteta i da je kopča potpuno zaključana, ta da nije moguće stisnuti pojaseve.
- Pobrinite se da nema uvijanja u pojasevima.
- Uvijek se pobrinite da je potporna noga u ispravnom položaju i da je u kontaktu s podom vozila. Potporna noga je vrlo važna sigurnosna značajka dizajnirana kako bi maksimizirala sigurnost vašeg djeteta u slučaju nesreće.
- Nemojte pokušavati rastaviti niti modificirati bilo koji dio autosjedalice. Jamstvo i sigurnost autosjedalice bi mogli biti ugroženi ako to učinite.
- Nikada nemojte koristiti autosjedalicu bez tekstilne navlake za sjedalo. Navlaka za sjedalo je sigurnosna značajka i može se zamijeniti samo originalnom presvlakom za sjedalo tvrtke Axkid.
- Pročitajte priručnik vozila i popis vozila na [www.axkid.com](http://www.axkid.com) kako biste saznali koje su položaji sjedenja prikladni za ovu autosjedalicu.
- Axkid preporučuje uvijek koristiti zaštitu za sjedalo kako biste zaštitili sjedalo vašeg vozila od ogrebotina i prljavštine.
- Ako imate bilo kakvih sumnji, kontaktirajte prodavača kod kojeg ste kupili autosjedalicu ili kontaktirajte [info@axkid.com](mailto:info@axkid.com).

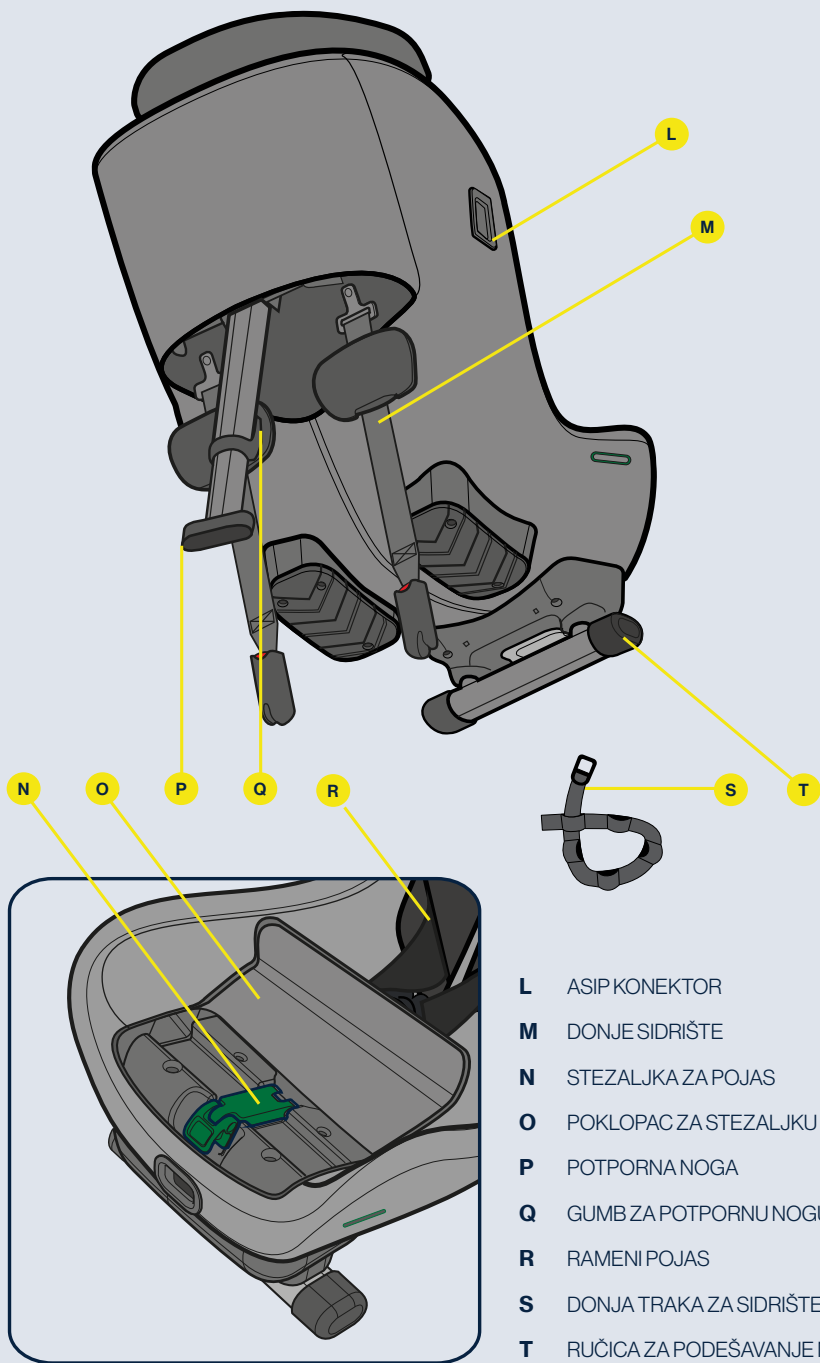
# Sadržaj

Dijelovi	234
Dopuštena i nedopuštena mjesta postavljanja autosjedalice Axkid MINIKID 4	236
Donje sidrište za vezanje	236
Instalacija donjih traka za sidrenje	237
Postavljanje autosjedalice Axkid MINIKID 4 u vozilu	238
Vezanje vašeg djeteta u autosjedalici Axkid MINIKID 4	239
Prilagodba naslona za glavu	240
Uklanjanje autosjedalice Axkid MINIKID 4 iz vozila	240
Njega i održavanje	241
Jamstvo	241

# Dijelovi



- A NASLON ZA GLAVU
- B INTEGRIRANI POJAS
- C GUMB ZA OTPUŠTANJE KOPČE
- D UTOR ZA SIGURNOSNI POJAS
- E GUMB ZA OTPUŠTANJE POJASA
- F POJAS ZA ZATEZANJE POJASA
- G POLUGA ZA PODEŠAVANJE NAGIBA
- H POLUGA ZA KOČENJE NASLONA ZA GLAVU
- I ASIP JASTUČIĆ
- J PETA
- K VERTIKALNA LINIJA

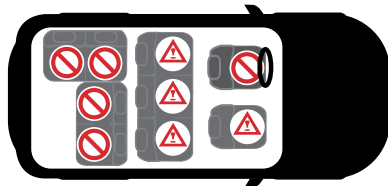




# Dozvoljene i nedopuštene pozicije za montažu autosjedalice Axkid MINIKID 4 u automobilu

Autosjedalica Axkid MINIKID 4 može se instalirati samo okrenuta u suprotan smjer vožnje. Uglavnom će odgovarati većini, ali ne svim položajima sjedenja. Provjerite priručnik za upute vašeg vozila kako biste pronašli odgovarajuće položaje sjedenja i provjerite popis vozila na [www.axkid.com](http://www.axkid.com).

Sjedalo suvozača (bez aktivnog zračnog jastuka)	DA/NE*
Sjedalo suvozača (aktivni zračni jastuk)	NE
Stražnje putničko sjedalo s pojansom u 3 točke vezanja	DA
Sjedalo s pojansom u 2. točke vezanja	NE
Sjedala okrenuta prema bočnoj i stražnjoj strani	NE



**VAŽNO:** Ako želite instalirati svoju autosjedalicu Axkid MINIKID 4 na mjestu gdje je postavljen prednji zračni jastuk, zračni jastuk mora biti isključen prema uputama proizvođača vašeg vozila. Imajte na umu da neka vozila zahtijevaju ovlaštenu servisnu centar za isključivanje zračnog jastuka.

Opći propise o prometu u Španjolskoj, u svom članku 117, zabranjuje vožnju s djecom čija visina iznosi ili je manja od 135 centimetara smještenom na prednjim sjedalima vozila, bez iznimaka.



## Donja sidrišta za pričvršćivanje Važne informacije

Donja sidrišta za pričvršćivanje (LTA) koriste se kako bi se poboljšala zaštita djece u automobilima pružajući čvrstu i stabilnu instalaciju za produžive autosjedalice okrenute u suprotan smjer koje se pričvršćuju pojasevima. Ovo povećava sigurnost vašeg djeteta u svim vrstama sudara, uključujući prevrtanje vozila i udar o stražnji dio vozila.

Donja sidrišta su dobro uspostavljena metoda koja se već više od 40 godina široko koristi u nordijskim zemljama. Godine 2020. objavljen je novi međunarodni standard za donja sidrišta, ISO13216-4:2020. Ovaj standard opisuje zahtjeve za donja sidrišta za autosjedalice, ali i za proizvođače vozila i njihove točke sidrenja. Svrha je poboljšati kompatibilnost i osigurati siguran i jednostavan način instalacije za budućnost.

Donja sidrišta za Axkid MINIKID 4 usklađena su s ISO13216-4:2020 standardom, što osigurava savršeno uklapanje i jednostavnu instalaciju u vozilima s prethodno instaliranim donjim sidrištima koja također udovoljavaju ovom standardu. Ako vaše vozilo ima točke sidrenja koje nisu u skladu s standardom, donja sidrišta za Axkid MINIKID 4 vjerojatno će, ali nije zajamčeno, odgovarati.

Prethodno instalirana donja sidrišta u vozilima često se nalaze na tračnicama sjedala pričvršćenim za pod, ali koristite se i druge pozicije. Provjerite upute vašeg vozila za više informacija o upotrebljivim točkama sidrenja.

Ako vaše vozilo nema prethodno instalirana donja sidrišta, autosjedalica Axkid MINIKID 4 dolazi s dodatnim trakama za sidrenje donjeg pojasa (S) koje se mogu instalirati u vaše vozilo. Pogledajte ovaj priručnik za upute o instalaciji. Ove trake također udovoljavaju standardu ISO13216-4:2020 i kada su pravilno instalirane, pružaju istu sigurnost kao i prethodno instalirana sidrišta.

Neki proizvođači vozila također nude mogućnost naknadnog ugradnje donjih sidrišta. Kontaktirajte proizvođača vašeg vozila ili trgovca za više informacija. Sidrišta za naknadnu ugradnju donjih pojaseva i dodatne trake za sidrenje donjih pojaseva mogu se kupiti zasebno kod Axkida.

**Napomena:** Nikada nemojte koristiti Axkid MINIKID 4 bez donjih sidrišta. Ona su važna sigurnosna značajka i uvijek ih treba koristiti prilikom instalacije vaše autosjedalice.



# Instalacija traka za donje sidrište

Ako vaše vozilo nema odgovarajuća prethodno instalirana donja sidrišta za pričvršćivanje, autosjedalica Axkid MINIKID 4 dolazi s trakama za sidrenje donjeg pojasa koje se mogu instalirati u vaše vozilo. Ovisno o vašem vozilu i položaju sjedala na kojem odlučite instalirati autosjedicu, postoje različite moguće točke sidrenja koje možete koristiti za instalaciju traka za sidrenje. Pogledajte u nastavku za alternative.

Za instalaciju traka za sidrenje donjeg pojasa (S), jednostavno provucite traku oko odabrane točke sidrenja i provucite metalno sidrište kroz jedan od otvora na samoj traci. Traka za sidrenje ima nekoliko otvora koje možete koristiti. Pazite da koristite otvor što je moguće bliže metalnom sidrištu, čime se metalno sidrište instalira što je moguće bliže podu vozila. Nakon toga, povucite metalno sidrište kako biste zategnuli traku i ponovite postupak za drugu traku. Uvijek koristite dvije točke sidrenja prilikom instalacije autosjedalice Axkid MINIKID 4 i odaberite točke sidrenja koje su razdvojene jer to pruža stabilniju instalaciju.

## Opcije usmjeravanja trake za sidrenje:

- alt. **a** Provucite traku oko ruba prethodno instaliranog sidrišta (koristite ovu metodu samo ako prethodno instalirana sidrišta ne odgovaraju direktno s donjim remenima).
- alt. **b** Instalirajte traku oko tračnice sjedala ispred autosjedalice provlačeći traku između tračnice sjedala i poda vozila ili kroz odgovarajuću rupu na tračnici sjedala.
- alt. **c** Instalirajte traku oko šarke sjedala vozila ispred autosjedalice provlačeći traku između naslona sjedala i sjedala.
- alt. **d** Instalirajte traku oko tračnice sjedala ispod autosjedalice provlačeći traku između tračnice sjedala i poda vozila ili kroz odgovarajuću rupu na tračnici sjedala.
- alt. **e** Kada instalirate Axkid MINIKID 4 na suvozačevom sjedalu i niti jedna od gore navedenih opcija nije dostupna, moguće je pričvrstiti trake za sidrenje donjeg pojasa na odgovarajuću točku sidrenja na stražnjem dijelu vozila i provući trake ispod sjedala vozila prema prednjem dijelu vozila. Pazite da trake za sidrenje izlaze s prednje strane sjedala, a ne sa strane.

**Napomena:** Uvijek se pobrinite da promjena položaja bilo kojeg sjedala u vozilu ne ometa ili ne ošteti instalirane trake za sidrenje donjeg pojasa.

**Napomena:** Nikada ne koristite oštre predmete za pomoć pri usmjeravanju traka jer to može oštetiti traku.



# Postavljanje autosjedalice Axkid MINIKID 4 u vozilu

Prije nego što instalirate Axkid MINIKID 4, provjerite imate li donja sidrišta za pričvršćivanje u svom vozilu. Pogledajte odjeljak o donjim sidrištima za pričvršćivanje u ovom priručniku za više informacija i upute za instalaciju.

1

Razvucite patentni zatvarač i otvorite poklopac stezaljke pojasa (O).

2

Postavite Axkid MINIKID 4 na sjedalo vozila tako da stražnji dio autosjedalice gleda prema prednjem dijelu vozila. Prilagodite prostor za noge svog djeteta jednostavno pomičući autosjedalicu naprijed-natrag na sjedalu vozila. Axkid MINIKID 4 može biti instaliran čvrsto naslonjen na naslon sjedala vozila, ali nikada ne smije biti instaliran s petom (J) koja visi preko ruba sjedala vozila. Pazite da vertikalna linija (K) na peti (J) nikada ne prelazi rub sjedala vozila.

Podesite kut nagiba autosjedalice pritiskom na polugu za podešavanje nagiba (G) i odaberite odgovarajući položaj nagiba. Radi maksimalne sigurnosti, odaberite položaj što je moguće uspravniji, uz pažnju da glava vašeg djeteta ne pada naprijed kada spava. Zbog udobnosti i sigurnosti, kut nagiba trebao bi se prilagoditi u uspravniji položaj kako vaše dijete raste. Imajte na umu da prilikom zatezanja donjih sidrišta (M), autosjedalica će biti malo više nagnuta jer će se utonuti sjedalo vozila. Prilikom instalacije Axkid MINIKID 4 na suvozačevom sjedalu moguće je, ali nije nužno, da stražnji dio autosjedalice ima kontakt s prednjom pločom.

3

Otvorite stezaljku pojasa (N). Izvucite duljinu jedne ruke od pojasa sjedala vozila i provucite je kroz utor pojasa (D) najbliži vama. Provedite pojas kroz stezaljku pojasa (N) i provucite ga kroz utor pojasa (D) na suprotnoj strani. Povežite pojas sjedala vozila s kopčom pojasa i snažno povucite na rameni dio pojasa sjedala vozila kako biste uklonili svaki višak i pričvrstili autosjedalicu, što jače povlačite, to čvršća instalacija. Kada je autosjedalica čvrsto pričvršćena, zatvorite stezaljku pojasa (N) i zaključajte pojas sjedala vozila u položaj. Pazite da su i rameni i pojas za kukove zaključani zajedno u stezaljci pojasa (N). Zatvorite poklopac stezaljke pojasa (O) i zatvorite patentni zatvarač. Za još čvršću i stabilniju instalaciju, pritisnite na autosjedalicu dok povlačite rameni pojas.

4

Izvucite donje remene (M) iz autosjedalice i povežite ih s donjim sidrištima za pričvršćivanje u vašem vozilu. Pritisnite na gornji dio autosjedalice i pomicanjem s jedne strane na drugu stranu, samozatezne donja trake Axkid MINIKID 4 (M) automatski će biti zategnuti. Zatežući donje trake (M), također postavljate konačni kut nagiba autosjedalice. Nastavite pritiskati na autosjedalicu dok nije čvrsto pričvršćena i dok ne postignete odgovarajući kut nagiba. Provjerite da je bijela oznaka na donjem remenu vidljiva. Ako nije, donja sidrišta su preblizu autosjedalici i treba ih prilagoditi. Ako to nije moguće, također možete prekriziti donje trake iza sjedala kako biste dobili malo više udaljenosti.

5

Izvucite potpornu nogu (P) iz dječje sjedalice. Pritisnite gumb za potpornu nogu (Q) i povucite potpornu nogu (P) prema dolje dok ne dođe u dodir s podom vozila. Pustite gumb za potpornu nogu (Q) i podignite dječju sjedalicu prema gore kako biste dodatno produžili potpornu nogu (P) dok ne čujete klik. Potporna noga (P) sada bi trebala biti zaključana i čvrsto pritisnuta u poda vozila. Pazite da je potporna noga (P) nagnuta otprilike 10° prema prednjem dijelu vozila. Ponovno provjerite sigurnosni pojas vozila kako biste bili sigurni da je i dalje čvrsto zategnut i da nije došlo do otpuštanja pojasa kuka dok ste zatezali donje uvice i potpornu nogu. Ako je sigurnosni pojas vozila popustio, jednostavno ga ponovno zategnite ponovnim izvođenjem koraka 2 ovog vodiča bez odspajanja donjih uvida.

6

Gurnite ASIP jastučić (I) u utor na ASIP priključku (L) i kliznite prema dolje, ASIP jastučić (I) će kliknuti na svoje mjesto. Ako je na ASIP priključku (L) prisutan plastični poklopac, uklonite ga i postavite ga na ASIP priključak (L) na suprotnoj strani sjedalice prije postavljanja ASIP jastučića (I). Pazite da je ASIP jastučić (I) pričvršćen na stranu sjedalice Axkid MINIKID 4 koja je najbliža vratima vozila.



# Vežanje vašeg djeteta u autosjedalici Axkid MINIKID 4

Prije nego što vežete svoje dijete u autosjedalici Axkid MINIKID 4, pobrinite se da je umetak ispravno podešen u vozilu. Axkid MINIKID 4 dizajniran je kako bi rastao s vašim djetetom i osigurao prilagodbu te vašem djetetu pružio maksimalnu udobnost. Axkid preporučuje korištenje umetka dok sjedalica ne postane pretjesna za vaše dijete, ali minimalno prema tablici u nastavku (napomena da je dob samo indikacija):

Dob	Visina	
Manje dijete 0-3 godine	61–105 cm	
Dijete 3-7 godina	106–125 cm	

Axkid MINIKID 4 je opremljen automatskim naslonom za glavu (A) koji će se automatski spustiti na ispravnu poziciju prilikom stezanja pojasa. Kako biste osigurali najbolju prilagodbu, Axkid preporučuje korištenje ove značajke svaki put kad stežete dijete. Prije nego što stavite dijete u autosjedalicu, provjerite je li automatski naslon za glavu (A) u otključanom položaju. Pogledajte odjeljak za podešavanje naslona za glavu (A) za više informacija.

7

Pazite da je ručica kočnice naslona za glavu (H) postavljena na položaj otključano. Ako je zaključano, gurnite polugu u položaj otključano.

8

Olabavite pojas pritiskom na gumb za otpuštanje pojasa (E) i izvucite obje naramenice (R) istovremeno. Izbjegavajte povlačenje samo jednog remena jer to može uzrokovati da naramenice (R) postanu neujednačene. Provjerite je li naslon za glavu (A) gurnut u gornji položaj.

9

Otključajte kopču za pojas pritiskom na gumb za oslobađanje kopče (C) i postavite remene izvan sjedala.

10

Postavite dijete u sjedalo i postavite remene preko ramena djeteta. Zaključajte pojas prvo postavljanjem dijelova kopče koji su pričvršćeni za remene preko ramena (R) zajedno, a zatim ih gurnite u kopču dok ne čujete klik.

11

Povucite remene preko ramena (R) kako biste zategnuli pojas preko bokova vašeg djeteta. Dok održavate napetost u ramenim pojasevima (R), povucite remen za zatezanje pojasa (F) ravno iz autosjedalice dok pojas ne bude dovoljno zategnut; ne biste trebali moći provući više od jednog prsta između remena (R) i ramena vašeg djeteta. Dok zatežete pojas, naslon za glavu (A) će automatski spustiti na ispravnu poziciju za vaše dijete.



## Podešavanje naslona za glavu

Autosjedalica Axkid MINIKID 4 opremljena je automatskim naslonom za glavu (A) koji će osigurati da je naslon za glavu (A) uvijek u najboljem položaju za vaše dijete. Prilikom stezanja pojasa, naslon za glavu (A) će se spustiti na ispravnu visinu i automatski zaključati u položaju. Kada olabavite pojas, naslon za glavu (A) će se ponovno podići na svoj gornji položaj i otključati. Kako biste osigurali najbolje prilagodavanje, Axkid preporučuje korištenje ove značajke svaki put kada osigurate svog djeteta.

Naslon za glavu (A) se otključava samo u svojem gornjem položaju. Stoga je važno osigurati da se naslon za glavu (A) potpuno podigne na gornji položaj prilikom otpuštanja pojasa, inače će naslon za glavu (A) ostati zaključan i neće se spustiti prilikom stezanja pojasa.

Ako želite deaktivirati automatsku značajku prilagodbe i zadržati naslon za glavu (A) u fiksnom položaju, postavite naslon za glavu (A) u željeni položaj i prebacite ručicu za kočenje naslona za glavu (H) u zaključani položaj. Naslon za glavu (A) sada je zaključan u visini i neće se pomaknuti sve dok ponovno ne prebacite ručicu za kočenje naslona za glavu (H) u otključani položaj.

Kada koristite svoj Axkid MINIKID 4 s naslonom za glavu (A) u fiksnom položaju, provjerite je li naslon za glavu (A) postavljen na ispravnu visinu za vaše dijete. Provjerite jesu li sigurnosni pojasevi (R) postavljeni izravno iznad ramena vašeg djeteta ili najviše 1 cm iznad. Ako nije, podesite naslon za glavu (A) tako što ćete prebaciti ručicu za kočenje naslona za glavu (H) u otključani položaj, gumuti naslon za glavu (A) u gornji položaj kako biste ga otključali, a zatim ponovite postupak.



## Uklanjanje autosjedalice Axkid MINIKID 4 iz vozila

- Otkopčajte patentni zatvarač i otvorite poklopac stezaljke remena (O). Otključajte sigurnosni pojas vozila pritiskom na crveni gumb na kopči sigurnosnog pojasa. Otvorite stezaljku pojasa (N) i povucite sigurnosni pojas vozila i provucite ga kroz proreze za pojas (D) kako biste ga uklonili sa autosjedalice.
- Otključajte donje vijke (M) držeći konektore rukom i pritiskajući crveni gumb palcem. Dok držite konektor u ruci, polako ga vraćajte natrag u autosjedalicu. Pazite da ne pustite konektor donjeg vijka, jer će se automatski povući natrag s visokom brzinom.
- Pritisnite gumb potpome noge (Q) i sklopote potpomu nogu (P) na najkraću duljinu.
- Pritisnite ručicu za podešavanje nagiba (G) i gumite regulator nagiba (T) do najkraće duljine. Podignite Axkid MINIKID 4 iz vozila.

**Savjet:** Zaključajte kopču na remenu i zategnite remen prije nego što izvadite autosjedalicu iz vozila. Tada možete koristiti naramenice (R) kao ručku za nošenje, što olakšava izvlačenje autosjedalice i prijenos izvan vozila.

**Važno:** Nikada ne nosite autosjedalicu držeći je za naslon za glavu (A).

### Recikliranje vaše autosjedalice



Axkid snažno preporučuje recikliranje starih autosjedalica. Prije nego što odnesete sjedalo na lokalnu reciklažnu stanicu, odrežite remene za osiguranje sjedala, skinite tekstilnu presvlaku, uklonite što više dijelova od stiropora koliko je moguće, razdvojite metalne i plastične dijelove ako je moguće. Glavni dio sjedala trebao bi biti označen kao nesiguran ili istekao (koristite marker) kako biste odvratili ljude od ponovne uporabe. Molimo vas da provjerite lokalne smjernice općine za upute o recikliranju različitih materijala.

# Njega i održavanje

Tekstilna navlaka sjedala može se prati u perilici rublja na 30° C u osjetljivom ciklusu. Ne stavljajte navlaku u sušilicu jer to može oštetiti navlaku, a punjenje se može odvojiti od tkanine. Posjetite [www.axkid.com](http://www.axkid.com) kako biste pronašli videozapise koji objašnjavaju kako skinuti i pričvrstiti navlaku.

Ako je potrebno zamijeniti navlaku sjedala, osigurajte da se koriste samo originalni proizvodi tvrtke Axkid. Ako se koriste drugi proizvodi, sigurnosni sustav dječjeg sjedala tvrtke Axkid može biti ugrožen, što može dovesti do teških ozljeda u slučaju nesreće.

Svi plastični dijelovi dječjeg sjedala tvrtke Axkid mogu se očistiti blagim deterdžentom i vodom. Nemojte koristiti agresivne kemikalije koje sadrže otapala ili slične tvari, jer to može oštetiti plastiku i ugrožiti sigurnost dječje autosjedalice.

## Uklonite tekstilnu navlaku:

- Uklonite ASIP jastučić (I) ako je pričvršćen.
- Postavite ručicu automatske kočnice naslona za glavu (H) u otključani položaj i olabavite pojas pritiskom na gumb za otpuštanje pojasa (E) i izvucite oba pojasa za rame (R) u isto vrijeme.
- Otkopčajte dva patentna zatvarača na donjoj strani naslona za glavu (A) i pažljivo povucite navlaku s naslona za glavu (A).
- Spustite naslon za glavu (A) u najniži položaj i prebacite ručicu automatske kočnice naslona za glavu (H) u zaključani položaj.
- Otključajte kopču pojasa pritiskom na gumb za otpuštanje kopče (C) i uklonite poklopac kopče.
- Otkopčajte patentni zatvarač i otvorite poklopac stezaljke remena (O) te uklonite plastični poklopac (O) s tekstilne navlake.
- Otvorite 4 gumba na tekstilnoj presvlaci na stražnjoj strani autosjedalice.
- Otkopčajte dva patentna zatvarača na naslonu s unutarnje strane autosjedalice i nježno uklonite tekstilnu navlaku s autosjedalice. Budite oprezni oko ASIP jastučića i drugih plastičnih poklopaca kako biste izbjegli oštećenje tekstila. Ne povlačite prejako.
- Otvorite jastučice za ramena i nježno ih uklonite s čička.

## Postavljanje tekstilne navlake:

- Obrnite korake iz gornjih uputa kako biste ponovno postavili tekstilnu navlaku na autosjedalicu.

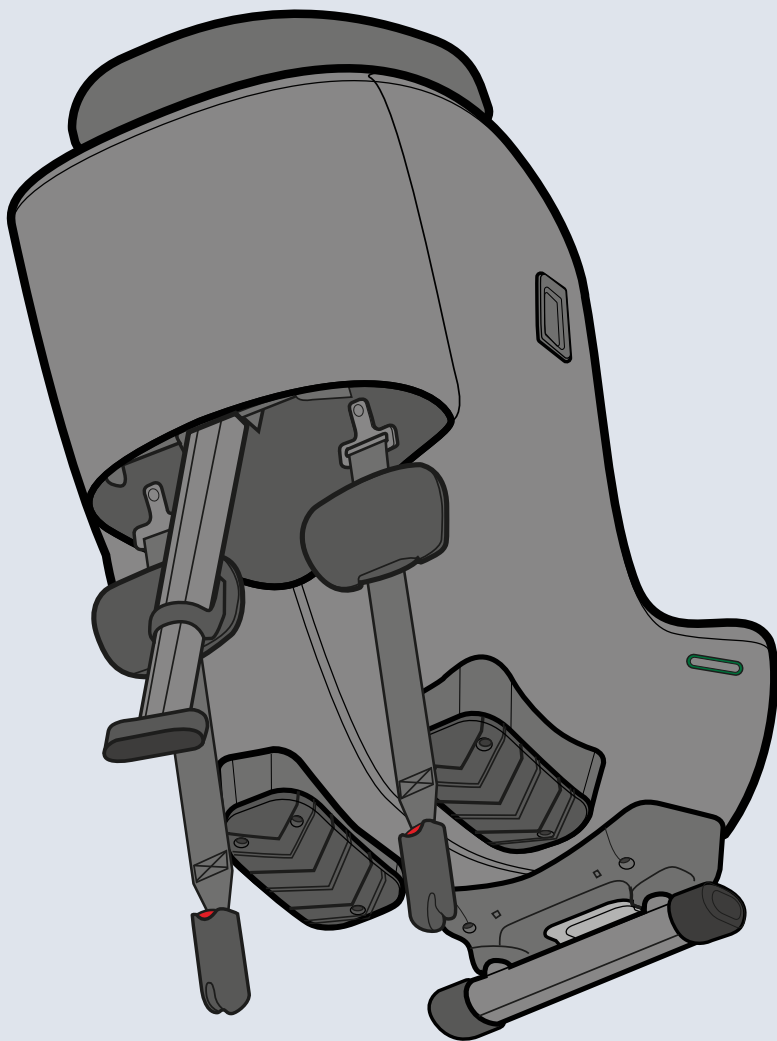
**Napomena:** Jastučići za ramena mogu se postaviti na različite položaje. Postavite ih u položaj prikladan za vaše dijete, jastučići za ramena trebaju biti postavljeni na vrh ramena i na prsa vašeg djeteta. Također provjerite je li gumena strana jastučića za ramena okrenuta prema prsima vašeg djeteta.

# Jamstvo

Autosjedalica Axkid pokrivena je jamstvom od 24 mjeseca od datuma kupnje. Svakako spremite svoj račun i odnesite ga na mjesto kupnje ako imate problema s jamstvom.

Jamstvo ne pokriva:

- Normalno trošenje i habanje
- Oštećenja zbog nepravilne uporabe, nemara ili nezgode.
- Ako je popravke izvršila treća strana.
- ASVi korišteni materijali imaju vrlo visoku ocjenu otpornosti na UV zračenje. Međutim, UV svjetlo je vrlo agresivno i na kraju će dovesti do blijedenja presvlake sjedala. Ovo nije pokriveno našim jamstvom jer se smatra normalnim trošenjem.
- Pažljivo rukujte sjedalom. Nikada nemojte nositi sjedalo držeći ga za naslon za glavu (A).



- EN
- ET
- DE
- EL
- ES
- IS
- FR
- PT
- IT
- RO
- NL
- AR
- PL
- JP
- CS
- BG
- SV
- TH
- NO
- UK
- DA
- HR
- FI

AXKID