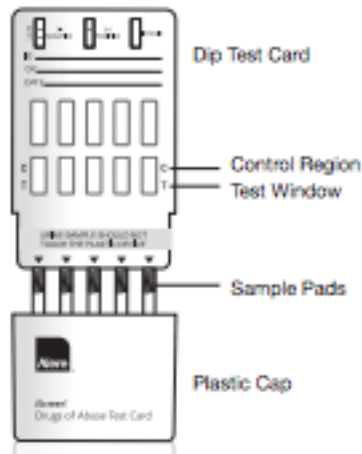


Alere iScreen® Drugs of Abuse Test Card Urine Drug Screen

Test in 3 Easy Steps *Single and a multidrug test card procedures vary slightly. See package insert for details.*



1
Collect specimen
and remove plastic
cap at bottom.



2
Dip revealed pads into
sample for 10 seconds.



3
Replace cap on device,
lay flat, and read results
in 5 minutes.



PRODUCT PROCEDURE NOTE: Refer to product insert for complete instructions, limitations, and warnings. For healthcare professionals including professionals at point of care sites. Immunoassay for in vitro diagnostic use only. This assay provides only a preliminary analytical test result. A more specific alternate chemical method must be used in order to obtain a confirmed analytical result. Gas chromatography-mass spectrometry (GC-MS) is the preferred confirmatory method. Clinical consideration and professional judgment should be applied to any drug of abuse test result, particularly when preliminary positive results are indicated.