



## iScreen® Drugs of Abuse Test Card

### Package Insert for Single and Multi Drug Screen Test Cards Instruction Sheet for testing of any combination of the following drugs:

**AMP/BAR/BUP/BZO/COC/THC/MTD/mAMP/MDMA/MOP/OPI/OXY/PCP/PPX/TCA**

**Including Specimen Validity Tests (S.V.T.) for:**

**Oxidants/PCC, Specific Gravity, pH, Nitrite, Glutaraldehyde and Creatinine**

**A rapid, one step screening test for the simultaneous, qualitative detection of multiple drugs and drug metabolites in human urine.**

**For healthcare professionals including professionals at point of care sites.**

**Immunoassay for in vitro diagnostic use only.**

### INTENDED USE

The **Alere iScreen® Drugs of Abuse Test Card** is a lateral flow chromatographic immunoassay for the qualitative detection of multiple drugs and drug metabolites in urine at the following cut-off concentrations:

Test	Calibrator	Cut-off
Amphetamine (AMP 1,000)	d-Amphetamine	1,000 ng/mL
Amphetamine (AMP 300)	d-Amphetamine	300 ng/mL
Barbiturates (BAR)	Secobarbital	300 ng/mL
Benzodiazepines (BZO)	Oxazepam	300 ng/mL
Buprenorphine (BUP)	Buprenorphine	10 ng/mL
Cocaine (COC 300)	Benzoylcegonine	300 ng/mL
Cocaine (COC 150)	Benzoylcegonine	150 ng/mL
Marijuana (THC)	11-nor- $\Delta^9$ -THC-9 COOH	50 ng/mL
Methadone (MTD)	Methadone	300 ng/mL
Methamphetamine (mAMP 1,000)	d-Methamphetamine	1,000 ng/mL
Methamphetamine (mAMP 500)	d-Methamphetamine	500 ng/mL
Methylenedioxymethamphetamine (MDMA)	d,l-Methylenedioxymethamphetamine	500 ng/mL
Opiate (MOP 300)	Morphine	300 ng/mL
Opiate (OPI 2,000)	Morphine	2,000 ng/mL
Oxycodone (OXY)	Oxycodone	100 ng/mL
Phencyclidine (PCP)	Phencyclidine	25 ng/mL
Propoxyphene (PPX)	Propoxyphene	300 ng/mL
Tricyclic Antidepressants (TCA)	Nortriptyline	1,000 ng/mL

**Configurations of the Alere iScreen® Drugs of Abuse Test Card come with any combination of the above listed drug analytes with or without S.V.T. This assay provides only a preliminary analytical test result. A more specific alternate chemical method must be used in order to obtain a confirmed analytical result. Gas chromatography/mass spectrometry (GC/MS) is the preferred confirmatory method. Clinical consideration and professional judgment should be applied to any drug of abuse test result, particularly when preliminary positive results are indicated.**

### SUMMARY

The **Alere iScreen® Drugs of Abuse Test Card** is a rapid urine screening test that can be performed without the use of an instrument. The test utilizes monoclonal antibodies to selectively detect elevated levels of specific drugs in urine.

#### AMPHETAMINE (AMP 1,000)

Amphetamine is a Schedule II controlled substance available by prescription (Dexedrine®) and is also available on the illicit market. Amphetamines are a class of potent sympathomimetic agents with therapeutic applications. They are chemically related to the human body's natural catecholamines: epinephrine and norepinephrine. Acute higher doses lead to enhanced stimulation of the central nervous system (CNS) and induce euphoria, alertness, reduced appetite, and a sense of increased energy and power. Cardiovascular responses to amphetamines include increased blood pressure and cardiac arrhythmias. More acute responses produce anxiety, paranoia, hallucinations, and psychotic behavior. The effects of Amphetamines generally last 2-4 hours following use and the drug has a half-life of 4-24 hours in the body. About 30% of amphetamines are excreted in the urine in unchanged form, with the remainder as hydroxylated and deaminated derivatives.

The **Alere iScreen® Drugs of Abuse Test Card** yields a positive result when the concentration of amphetamines in urine exceeds 1,000 ng/mL. This is the suggested screening cut-off for positive specimens set by the Substance Abuse and Mental Health Services Administration (SAMHSA, USA).<sup>1</sup>

#### AMPHETAMINE (AMP 300)

The **Alere iScreen® Drugs of Abuse Test Card** yields a positive result when amphetamines in urine exceed 300 ng/mL. See AMPHETAMINE (AMP 1,000) for the summary.

#### BARBITURATES (BAR)

Barbiturates are CNS depressants. They are used therapeutically as sedatives, hypnotics, and anticonvulsants. barbiturates are almost always taken orally as capsules or tablets. The effects resemble those of intoxication with alcohol. Chronic use of barbiturates leads to tolerance and physical dependence. Short-acting barbiturates taken at 400 mg/day for 2-3 months can produce a clinically significant degree of physical dependence. Withdrawal symptoms experienced during periods of drug abstinence can be severe enough to cause death.

Only a small amount (less than 5%) of most barbiturates are excreted unaltered in the urine.

The approximate detection time limits for barbiturates are:

Short acting (e.g. Secobarbital)	100 mg PO (oral)	4.5 days
Long acting (e.g. Phenobarbital)	400 mg PO (oral)	7 days <sup>2</sup>

The **Alere iScreen® Drugs of Abuse Test Card** yields a positive result when the concentration of barbiturates in urine exceeds 300 ng/mL. At present, the Substance Abuse and Mental Health Services Administration (SAMHSA) does not have a recommended screening cut-off for Barbiturate positive specimens.

#### BENZODIAZEPINES (BZO)

Benzodiazepines are medications that are frequently prescribed for the symptomatic treatment of anxiety and sleep disorders. They produce their effects via specific receptors involving a neurochemical called gamma aminobutyric acid (GABA). Because they are safer and more effective, benzodiazepines have replaced barbiturates in the treatment of both anxiety and insomnia. Benzodiazepines are also used as sedatives before some surgical and medical procedures, and for the treatment of seizure disorders and alcohol withdrawal.

Risk of physical dependence increases if benzodiazepines are taken regularly (e.g., daily) for more than a few months, especially at higher than normal doses. Stopping abruptly can bring on such symptoms as trouble sleeping, gastrointestinal upset, feeling unwell, loss of appetite, sweating, trembling, weakness, anxiety and changes in perception.

Only trace amounts (less than 1%) of most benzodiazepines are excreted unaltered in the urine; most of the concentration in urine is conjugated drug. The detection period for benzodiazepines in urine is 3-7 days. The **Alere iScreen® Drugs of Abuse Test Card** yields a positive result when the concentration of benzodiazepines in urine exceeds 300 ng/mL. At present, the Substance Abuse and Mental Health Services Administration (SAMHSA) does not have a recommended screening cut-off for benzodiazepine positive specimens.

#### BUPRENORPHINE (BUP)

Buprenorphine is a potent analgesic often used in the treatment of opioid addiction. The drug is sold under the trade names Subutex™, Buprenex™, Temgesic™ and Suboxone™, which contain Buprenorphine HCl alone or in combination with Naloxone HCl. Therapeutically, Buprenorphine is used as a substitution treatment for opioid addicts. Substitution treatment is a form of medical care offered to opiate addicts (primarily heroin addicts) based on a similar or identical substance to the drug normally used. In substitution therapy, Buprenorphine is as effective as Methadone but demonstrates a lower level of physical dependence. Concentrations of free Buprenorphine and Norbuprenorphine in urine may be less than 1 ng/ml after therapeutic administration, but can range up to 20 ng/ml in abuse situations.<sup>10</sup> The plasma half life of Buprenorphine is 2-4 hours.<sup>10</sup> While complete elimination of a single dose of the drug can take as long as 6 days, the window of detection for the parent drug in urine is thought to be approximately 3 days.

Substantial abuse of Buprenorphine has also been reported in many countries where various forms of the drug are available. The drug has been diverted from legitimate channels through theft, doctor shopping, and fraudulent prescriptions, and been abused via intravenous, sublingual, intranasal and inhalation routes.

The **Alere iScreen® Drugs of Abuse Test Card** yields a positive result when the Buprenorphine in urine exceeds 10 ng/mL.

#### COCAINE (COC 300)

Cocaine is a potent central nervous system stimulant and a local anesthetic. Initially, it brings about extreme energy and restlessness while gradually resulting in tremors, over-sensitivity and spasms. In large amounts, cocaine causes fever, unresponsiveness, difficulty in breathing and unconsciousness.

Cocaine is often self-administered by nasal inhalation, intravenous injection and free-base smoking. It is excreted in the urine in a short time primarily as benzoylecgonine.<sup>3,4</sup> Benzoylecgonine, a major metabolite of cocaine, has a longer biological half-life (5-8 hours) than cocaine (0.5-1.5 hours), and can generally be detected for 24-48 hours after cocaine exposure.<sup>4</sup>

The **Alere iScreen® Drugs of Abuse Test Card** yields a positive result when the concentration of benzoylecgonine in urine exceeds 300 ng/mL. This is the suggested screening cut-off for positive specimens set by the Substance Abuse and Mental Health Services Administration (SAMHSA, USA).<sup>1</sup>

#### COCAINE (COC 150)

The **Alere iScreen® Drugs of Abuse Test Card** yields a positive result when the concentration of benzoylecgonine in urine exceeds 150 ng/mL. See COCAINE (COC 300) for the summary.

#### MARIJUANA (THC)

THC ( $\Delta^9$ -tetrahydrocannabinol) is the primary active ingredient in cannabis (marijuana). When smoked or orally administered, THC produces euphoric effects. Users have impaired short-term memory and slowed learning. They may also experience transient episodes of confusion and anxiety. Long-term, relatively heavy use may be associated with behavioral disorders. The peak effect of marijuana administered by smoking occurs in 20-30 minutes and the duration is 90-120 minutes after one cigarette. Elevated levels of urinary metabolites are found within hours of exposure and remain detectable for 3-10 days after smoking. The main metabolite excreted in the urine is 11-nor- $\Delta^9$ -tetrahydrocannabinol-9-carboxylic acid (THC-COOH).

The **Alere iScreen® Drugs of Abuse Test Card** yields a positive result when the concentration of THC-COOH in urine exceeds 50 ng/mL. This is the suggested screening cut-off for positive specimens set by the Substance Abuse and Mental Health Services Administration (SAMHSA, USA).<sup>1</sup>

#### METHADONE (MTD)

Methadone is a narcotic analgesic prescribed for the management of moderate to severe pain and for the treatment of opiate dependence (heroin, Vicodin, Percocet, morphine). The pharmacology of oral methadone is very different from IV methadone. Oral methadone is partially stored in the liver for later use. IV methadone acts more like heroin. In most states you must go to a pain clinic or a methadone maintenance clinic to be prescribed methadone.

Methadone is a long acting pain reliever producing effects that last from twelve to forty-eight hours. Ideally, methadone frees the client from the pressures of obtaining illegal heroin, from the dangers of injection, and from the emotional roller coaster that most opiates produce. Methadone, if taken for long periods and at large doses, can lead to a very long withdrawal period. The withdrawals from methadone are more prolonged and troublesome than those provoked by heroin cessation, yet the substitution and phased removal of methadone is an acceptable method of detoxification for patients and therapists.<sup>7</sup>

The **Alere iScreen® Drugs of Abuse Test Card** yields a positive result when the concentration of methadone in urine exceeds 300 ng/mL. At present, the Substance Abuse and Mental Health Services Administration (SAMHSA) does not have a recommended screening cut-off for methadone positive specimens.

#### METHAMPHETAMINE (mAMP 1,000)

Methamphetamine is an addictive stimulant drug that strongly activates certain systems in the brain. Methamphetamine is closely related chemically to amphetamine, but the CNS effects of methamphetamine are greater. Methamphetamine is made in illegal laboratories and has a high potential for abuse and dependence. The drug can be taken orally, injected, or inhaled. Acute higher doses lead to enhanced stimulation of the CNS and induce euphoria, alertness, reduced appetite, and a sense of increased energy

and power. Cardiovascular responses to methamphetamine include increased blood pressure and cardiac arrhythmias. More acute responses produce anxiety, paranoia, hallucinations, psychotic behavior, and eventually, depression and exhaustion.

The effects of methamphetamine generally last 2-4 hours and the drug has a half-life of 9-24 hours in the body. Methamphetamine is excreted in the urine as amphetamine and oxidized and deaminated derivatives. However, 10-20% of methamphetamine is excreted unchanged. Thus, the presence of the parent compound in the urine indicates methamphetamine use. Methamphetamine is generally detectable in the urine for 3-5 days, depending on urine pH level.

The **Alere iScreen® Drugs of Abuse Test Card** yields a positive result when the concentration of methamphetamine in urine exceeds 1,000 ng/mL.

#### METHAMPHETAMINE (mAMP 500)

The **Alere iScreen® Drugs of Abuse Test Card** yields a positive result when the concentration of methamphetamine in urine exceeds 500 ng/mL. See METHAMPHETAMINE (mAMP 1,000) for the summary.

#### METHYLENEDIOXYMETHAMPHETAMINE (MDMA)

Methylenedioxymethamphetamine (ecstasy) is a designer drug first synthesized in 1914 by a German drug company for the treatment of obesity.<sup>5</sup> Those who take the drug frequently report adverse effects, such as increased muscle tension and sweating. MDMA is not clearly a stimulant, although it has, in common with amphetamine drugs, a capacity to increase blood pressure and heart rate. MDMA does produce some perceptual changes in the form of increased sensitivity to light, difficulty in focusing, and blurred vision in some users. Its mechanism of action is thought to be via release of the neurotransmitter serotonin. MDMA may also release dopamine, although the general opinion is that this is a secondary effect of the drug (Nichols and Oberlander, 1990). The most pervasive effect of MDMA, occurring in virtually all people who took a reasonable dose of the drug, was to produce a clenching of the jaws.

The **Alere iScreen® Drugs of Abuse Test Card** yields a positive result when the concentration of Methylenedioxymethamphetamine in urine exceeds 500 ng/mL. At present, the Substance Abuse and Mental Health Services Administration (SAMHSA) does not have a recommended screening cut-off for Methylenedioxymethamphetamine positive specimens.

#### OPIATE (MOP 300)

Opiate refers to any drug that is derived from the opium poppy, including the natural products, morphine and codeine, and the semi-synthetic drugs such as heroin. Opioid is more general, referring to any drug that acts on the opioid receptor.

Opioid analgesics comprise a large group of substances which control pain by depressing the CNS. Large doses of morphine can produce higher tolerance levels, physiological dependency in users, and may lead to substance abuse. Morphine is excreted unmetabolized, and is also the major metabolic product of codeine and heroin. Morphine is detectable in the urine for several days after an opiate dose.<sup>5</sup>

The **Alere iScreen® Drugs of Abuse Test Card** yields a positive result when the concentration of morphine in urine exceeds 300 ng/mL.

#### OPIATE (OPI 2,000)

The **Alere iScreen® Drugs of Abuse Test Card** yields a positive result when the concentration of morphine in urine exceeds 2,000 ng/mL. This is the suggested screening cut-off for positive specimens set by the Substance Abuse and Mental Health Services Administration (SAMHSA, USA).<sup>1</sup> See OPIATE (MOP 300) for summary.

#### OXYCODONE (OXY)

Oxycodone is a semi-synthetic opioid with a structural similarity to codeine. The drug is manufactured by modifying thebaine, an alkaloid found in the opium poppy. Oxycodone, like all opiate agonists, provides pain relief by acting on opioid receptors in the spinal cord, brain, and possibly directly in the affected tissues. Oxycodone is prescribed for the relief of moderate to high pain in the well-known pharmaceutical trade names of OxyContin®, Tylox®, Percodan® and Percocet®. While Tylox, Percodan and Percocet contain only small doses of oxycodone hydrochloride combined with other analgesics such as acetaminophen or aspirin, OxyContin consists solely of oxycodone hydrochloride in a time-release form.

Oxycodone is known to metabolize by demethylation into oxymorphone and noroxycodone. In a 24-hour urine, 33-61% of a single, 5mg oral dose is excreted with the primary constituents being unchanged drug (13-19%), conjugated drug (7-29%) and conjugated oxymorphone (13-14%).<sup>10</sup> The window of detection for oxycodone in urine is expected to be similar to that of other opioids such as morphine.

The **Alere iScreen® Drugs of Abuse Test Card** yields a positive result when the concentration of oxycodone in urine exceeds 100 ng/mL. At present, the Substance Abuse and Mental Health Services Administration (SAMHSA) does not have a recommended screening cut-off for oxycodone positive specimens.

#### PHENCYCLIDINE (PCP)

Phencyclidine, also known as PCP or Angel Dust, is a hallucinogen that was first marketed as a surgical anesthetic in the 1950's. It was removed from the market because patients receiving it became delirious and experienced hallucinations.

PCP is used in powder, capsule, and tablet form. The powder is either snorted or smoked after mixing it with marijuana or vegetable matter. PCP is most commonly administered by inhalation but can be used intravenously, intra-nasally, and orally. After low doses, the user thinks and acts swiftly and experiences mood swings from euphoria to depression. Self-injurious behavior is one of the devastating effects of PCP. PCP can be found in urine within 4 to 6 hours after use and will remain in urine for 7 to 14 days, depending on factors such as metabolic rate, user's age, weight, activity, and diet.<sup>6</sup> PCP is excreted in the urine as an unchanged drug (4% to 19%) and conjugated metabolites (25% to 30%).<sup>5</sup>

The **Alere iScreen® Drugs of Abuse Test Card** yields a positive result when the concentration of phencyclidine in urine exceeds 25 ng/mL. This is the suggested screening cut-off for positive specimens set by the Substance Abuse and Mental Health Services Administration (SAMHSA, USA).<sup>1</sup>

#### PROPOXYPHENE (PPX)

Propoxyphene (PPX) is a narcotic analgesic compound bearing structural similarity to methadone. As an analgesic, propoxyphene can be from 50-75% as potent as oral codeine. Darvocet™, one of the most common brand names for the drug, contains 50-100 mg of propoxyphene napsylate and 325-650 mg of acetaminophen. Peak plasma concentrations of propoxyphene are achieved from 1 to 2 hours post dose. In the case of overdose, propoxyphene blood concentrations can reach significantly higher levels.

In humans, propoxyphene is metabolized by N-demethylation to yield norpropoxyphene. Norpropoxyphene has a longer half-life (30 to 36 hours) than parent propoxyphene (6 to 12 hours). The accumulation of norpropoxyphene seen with repeated doses may be largely responsible for resultant toxicity.

The **Alere iScreen® Drugs of Abuse Test Card** yields a positive result when the concentration of Propoxyphene or Norpropoxyphene in urine exceeds 300 ng/mL. At present, the Substance Abuse and Mental Health Services Administration (SAMHSA) does not have a recommended screening cut-off for propoxyphene positive specimens.

#### TRICYCLIC ANTIDEPRESSANTS (TCA)

TCA (Tricyclic Antidepressants) are commonly used for the treatment of depressive disorders. TCA overdoses can result in profound CNS depression, cardiotoxicity and anticholinergic effects. TCA overdose is the most common cause of death from prescription drugs. TCAs are taken orally or sometimes by injection. TCAs are metabolized in the liver. Both TCAs and their metabolites are excreted in urine mostly in the form of metabolites for up to ten days.

The **Alere iScreen® Drugs of Abuse Test Card** yields a positive result when the concentration of tricyclic antidepressants in urine exceeds 1,000 ng/mL. At present, the Substance Abuse and Mental Health Services Administration (SAMHSA) does not have a recommended screening cut-off for tricyclic antidepressant positive specimens.

#### S.V.T. SUMMARY

(Information regarding Specimen Validity Tests does not require FDA review.)

The strips contain chemically treated reagent pads. Three to five minutes following the activation of the reagent pads by the urine sample, the colors that appear on the pads can be compared with the printed color chart card. The color comparison provides a semi-quantitative screen for any combination of oxidants/pyridinium chlorochromate (PCC), specific gravity, pH, nitrite, glutaraldehyde and creatinine in human urine which can help to assess the integrity of the urine sample.

#### WHAT IS ADULTERATION?

Adulteration is the tampering of a urine specimen with the intention of altering the test results. The use of adulterants can cause false negative results in drug tests by either interfering with the screening test and/or destroying the drugs present in the urine. Dilution may also be employed in an attempt to produce false negative drug test results.

- One of the best ways to test for adulteration or dilution is to determine certain urinary characteristics such as pH, specific gravity and creatinine and to detect the presence of oxidants/PCC, nitrites or glutaraldehyde in urine.
- **Oxidants/PCC (Pyridinium chlorochromate)** tests for the presence of oxidizing agents such as bleach and hydrogen peroxide. Pyridinium chlorochromate (sold under the brand name UrineLuck) is a commonly used adulterant.<sup>8</sup> Normal human urine should not contain oxidants of PCC.
  - **Specific gravity** tests for sample dilution. The normal range is from 1.003 to 1.030. Values outside this range may be the result of specimen dilution or adulteration.
  - **pH** tests for the presence of acidic or alkaline adulterants in urine. Normal pH levels should be in the range of 4.0 to 9.0. Values outside of this range may indicate the sample has been altered.
  - **Nitrite** tests for commonly used commercial adulterants such as Klear and Whizzies. They work by oxidizing the major cannabinoid metabolite THC-COOH.<sup>9</sup> Normal urine should contain no trace of nitrite. Positive results generally indicate the presence of an adulterant.
  - **Glutaraldehyde** tests for the presence of an aldehyde. Adulterants such as UrinAid and Clear Choice contain glutaraldehyde which may cause false negative results by disrupting the enzyme used in some immunoassay tests.<sup>8</sup> Glutaraldehyde is not normally found in urine; therefore, detection of glutaraldehyde in a urine specimen is generally an indicator of adulteration.
  - **Creatinine** is a waste product of creatine; an amino-acid contained in muscle tissue and found in urine.<sup>2</sup> A person may attempt to foil a test by drinking excessive amounts of water or diuretics such as herbal teas to “flush” the system. Creatinine and specific gravity are two ways to check for dilution and flushing, which are the most common mechanisms used in an attempt to circumvent drug testing. Low Creatinine and specific gravity levels may indicate dilute urine. The absence of Creatinine (<5 mg/dl) is indicative of a specimen not consistent with human urine.

#### PRINCIPLE

The **Alere iScreen® Drugs of Abuse Test Card** is an immunoassay based on the principle of competitive binding. Drugs which may be present in the urine specimen compete against their respective drug conjugate for binding sites on their specific antibody.

During testing, a urine specimen migrates upward by capillary action. A drug, if present in the urine specimen below its cut-off concentration, will not saturate the binding sites of its specific antibody. The antibody will then react with the drug-protein conjugate and a visible colored line will show up in the test region of the specific drug strip. The presence of drug above the cut-off concentration will saturate all the binding sites of the antibody. Therefore, the colored line will not form in the test region.

A drug-positive urine specimen will not generate a colored line in the specific test region of the strip because of drug competition, while a drug-negative urine specimen will generate a line in the test region because of the absence of drug competition.

To serve as a procedural control, a colored line will always appear at the control region, indicating that proper volume of specimen has been added and membrane wicking has occurred.

#### REAGENTS

Each test line contains anti-drug mouse monoclonal antibody and corresponding drug-protein conjugates. The control line contains goat anti-rabbit IgG polyclonal antibodies and rabbit IgG.

#### S.V.T. REAGENTS

Adulteration Pad	Reactive indicator	Buffers and non-reactive ingredients
Creatinine	0.04%	99.96%
Nitrite	0.07%	99.93%
Glutaraldehyde	0.02%	99.98%
pH	0.06%	99.94%
Specific Gravity	0.25%	99.75%
Oxidants / PCC	0.36%	99.64%

#### PRECAUTIONS

- For healthcare professionals including professionals at point of care sites.
- Immunoassay for *in vitro* diagnostic use only. The test card should remain in the sealed pouch until use.
- All specimens should be considered potentially hazardous and handled in the same manner as an infectious agent.
- The used test card should be discarded according to federal, state and local regulations.

#### STORAGE AND STABILITY

Store as packaged in the sealed pouch at 2-30°C. The test is stable through the expiration date printed on the sealed pouch. The test cards must remain in the sealed pouch until use. DO NOT FREEZE. Do not use beyond the expiration date.

#### SPECIMEN COLLECTION AND PREPARATION

##### Urine Assay

The urine specimen should be collected in a clean and dry container. Urine collected at any time of the day may be used. Urine specimens exhibiting visible precipitates should be centrifuged, filtered, or allowed to settle to obtain a clear specimen for testing.

##### Specimen Storage

Urine specimens may be stored at 2-8°C for up to 48 hours prior to testing. For prolonged storage, specimens may be frozen and stored below -20°C. Frozen specimens should be thawed and mixed well before testing. When testing cards with S.V.T. storage of urine specimens should not exceed 2 hours at room temperature or 4 hours refrigerated prior to testing.

#### MATERIALS

##### Materials Provided

- Test Cards
- Package insert
- Adulteration Color Chart (when applicable)

##### Materials Required But Not Provided

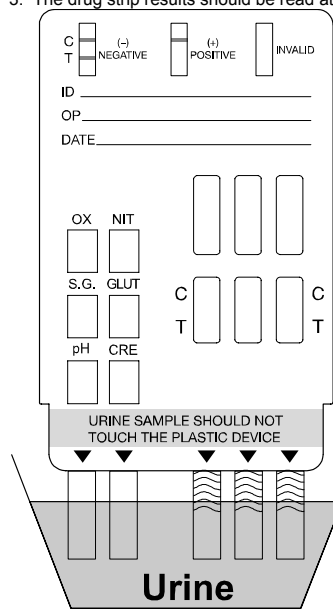
- Specimen collection container
- A timer or any kind of a timing device such as a wrist watch is required to run this test
- External controls

#### DIRECTIONS FOR USE

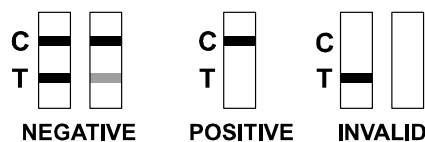
**Allow the test card, urine specimen, and/or controls to equilibrate to room temperature (15-30°C) prior to testing.**

1. Remove the test card from the sealed pouch and use it as soon as possible. Remove the cap from the end of the test card. With arrows pointing toward the urine specimen, immerse the strip(s) of the test card vertically in the urine specimen for at least 10-15 seconds. **Immerse the strip(s) to at least the level of the wavy lines, but do not allow urine to touch plastic. See the illustration below.**
2. Replace cap and place the test card on a non-absorbent flat surface. Start the timer. Read the adulteration strips between 3-5 minutes (when applicable) compare the colors on the adulteration pads to the enclosed color chart. If the specimen indicates adulteration, refer to your Drug Free Policy for guidelines on adulterated specimens. We recommend not to interpret the drug test results and either retest the urine or collect another specimen.
3. The drug strip results should be read at 5 minutes.

Interpret adulteration strips between 3-5 minutes. See enclosed color chart for interpretation.



Read the drug results at 5 minutes.



#### INTERPRETATION OF RESULTS

(Please refer to the illustration above)

**NEGATIVE: \* Two lines appear. A colored line appears in the Control region (C) and a colored line appears in the Test region (T).** This negative result means that the concentrations in the urine sample are below the designated cut-off levels for a particular drug tested.

**\*NOTE:** The shade of the colored lines(s) in the Test region (T) may vary. The result should be considered negative whenever there is even a faint line.

**POSITIVE: A colored line appears in the Control region (C) and NO line appears in the Test region (T).** The positive result means that the drug concentration in the urine sample is greater than the designated cut-off for a specific drug.

**INVALID: No line appears in the Control region (C).** Insufficient specimen volume or incorrect procedural techniques are the most likely reasons for Control line failure. Read the directions again and repeat the test with a new test card. If the result is still invalid, contact your manufacturer.

#### SVT/ADULTERATION INTERPRETATION

(Please refer to the color chart)

Semi Quantitative results are obtained by visually comparing the reacted color blocks on the strip to the printed color blocks on the color chart. No instrumentation is required.

#### QUALITY CONTROL

A procedural control is included in the test. A line appearing in the Control region (C) is considered an internal procedural control. It confirms sufficient specimen volume, adequate membrane wicking and correct procedural technique.

Control standards are not supplied with this kit. However, it is recommended that positive and negative controls be tested as good laboratory practice to confirm the test procedure and to verify proper test performance.

#### S.V.T. ADULTERATIONS LIMITATIONS

1. The adulteration tests included with the product are meant to aid in the determination of abnormal specimens. While comprehensive, these tests are not meant to be an “all-inclusive” representation of possible adulterants.
2. Oxidants/PCC: Normal human urine should not contain oxidants or PCC. The presence of high levels of antioxidants in the specimen, such as ascorbic acid, may result in false negative results for the oxidants/PCC pad.
3. Specific Gravity: Elevated levels of protein in urine may cause abnormally high specific gravity values.
4. Nitrite: Nitrite is not a normal component of human urine. However, nitrite found in urine may indicate urinary tract infections or bacterial infections. Nitrite levels of > 20 mg/dL may produce false positive glutaraldehyde results.
5. Glutaraldehyde: is not normally found in urine. However certain metabolic abnormalities such as ketoacidosis (fasting, uncontrolled diabetes or high protein diets) may interfere with the test results.
6. Creatinine: Normal Creatinine levels are between 20 and 350 mg/dL. Under rare conditions, certain kidney diseases may show dilute urine.

#### LIMITATIONS

1. The **Alere iScreen® Drugs of Abuse Test Card** provides only a qualitative, preliminary analytical result. A secondary analytical method must be used to obtain a confirmed result. Gas chromatography/mass spectrometry (GC/MS) is the preferred confirmatory method.<sup>1,10</sup>
2. There is a possibility that technical or procedural errors, as well as interfering substances in the urine specimen may cause erroneous results.
3. Adulterants, such as bleach and/or alum, in urine specimens may produce erroneous results regardless of the analytical method used. If adulteration is suspected, the test should be repeated with another urine specimen.
4. A positive result does not indicate level or intoxication, administration route or concentration in urine.
5. A negative result may not necessarily indicate drug-free urine. Negative results can be obtained when drug is present but below the cut-off level of the test.
6. This test does not distinguish between drugs of abuse and certain medications.
7. A positive test result may be obtained from certain foods or food supplements.

#### PERFORMANCE CHARACTERISTICS

##### Accuracy

A side-by-side comparison was conducted using the **Alere iScreen® Drugs of Abuse Test Card** and commercially available drug rapid tests. Testing was performed on approximately 300 specimens per drug type previously collected from subjects presenting for Drug Screen Testing. Presumptive positive results were confirmed by GC/MS. The following compounds were quantified by GC/MS and contributed to the total amount of drugs found in presumptive positive urine samples tested.

Test	Compounds Contributing to GC/MS Totals
AMP	Amphetamine
BAR	Secobarbital, Butalbital, Phenobarbital, Pentobarbital
BZO	Oxazepam, Nordiazepam, $\alpha$ -Hydroxyalprazolam, Desalkylflurazepam
BUP	Buprenorphine
COC	Benzoylcocaine
THC	11-nor- $\Delta^9$ -tetrahydrocannabinol-9-carboxylic acid
MTD	Methodone
mAMP	Methamphetamine
MDMA	d,l-Methylenedioxyamphetamines
OPI	Morphine, Codeine
OXY	Oxycodone
PCP	Phencyclidine
PPX	Propoxyphene
TCA	Nortriptyline

The following results are tabulated from these clinical studies:

Method	GC/MS					
	Neg.	Neg. (< -25% cutoff)	Near cutoff neg. (-25% cutoff to cutoff)	Near cutoff pos. (cutoff to +25% cutoff)	Pos. (> +25% cutoff)	% agreement with GC/MS
Alere iScreen® Drugs of Abuse Test Card						
AMP 1,000	Positive 0	1	8	18	114	97%
	Negative 149	1	5	4	0	95%
AMP 300	Positive 0	1	1	2	123	>99%
	Negative 150	8	5	0	0	99%
BAR	Positive 0	0	4	5	117	92%
	Negative 150	1	5	1	9	98%
BZO	Positive 0	7	1	5	26	97%
	Negative 149	7	1	3	1	95%
BUP	Positive 0	0	0	5	50	98%
	Negative 150	15	5	1	0	>99%
COC 300	Positive 0	2	15	16	103	96%
	Negative 150	5	7	1	1	90%
COC 150	Positive 0	0	0	8	133	99%
	Negative 149	1	7	0	2	>99%
THC	Positive 0	13	9	12	106	97%
	Negative 150	6	0	2	2	88%
MTD	Positive 0	0	10	10	112	99%
	Negative 150	17	0	0	1	94%
mAMP 1,000	Positive 0	0	10	9	126	99%
	Negative 150	0	4	1	0	94%
mAMP 500	Positive 0	0	7	8	132	>99%
	Negative 150	0	3	0	0	96%
MDMA	Positive 0	0	3	6	82	>99%
	Negative 147	0	2	0	0	98%
MOP	Positive 0	2	7	10	131	>99%
	Negative 150	0	0	0	0	94%
OPI	Positive 0	0	16	18	116	>99%
	Negative 150	0	0	0	0	90%
OXY	Positive 0	0	1	2	133	98%
	Negative 147	6	8	0	3	99%
PCP	Positive 0	0	6	10	40	>99%
	Negative 150	6	0	0	0	96%
PPX	Positive 0	0	2	5	159	94%
	Negative 152	11	12	9	2	99%
*TCA	Positive 0	12	8	15	20	>99%
	Negative 150	17	0	0	0	89%

The following results were tabulated from these clinical studies:

#### % Agreement with Commercial Kit

	AMP 1,000	AMP 300	BAR	BZO	BUP	COC 300	COC 150	THC	MTD	mAMP 1,000
Positive Agreement	97%	>99%	>99%	90%	*	95%	>99%	98%	>99%	98%
Negative Agreement	>99%	>99%	99%	97%	*	>99%	>99%	>99%	>99%	>99%
Total Results	98%	>99%	99%	94%	*	98%	>99%	99%	>99%	99%

	mAMP 500	MDMA	MOP	OPI	OXY	PCP	PPX	TCA
Positive Agreement	>99%	>99%	>99%	>99%	96%	98%	>99%	95%
Negative Agreement	80%	99%	>99%	>99%	99%	>99%	>99%	>99%
Total Results	87%	99%	>99%	>99%	98%	99%	>99%	99%

#### % Agreement with GC/MS

	AMP 1,000	AMP 300	BAR	BZO	BUP	COC 300	COC 150	THC	MTD	mAMP 1,000
Positive Agreement	97%	>99%	92%	97%	98%	96%	99%	97%	99%	99%
Negative Agreement	95%	99%	98%	95%	>99%	90%	>99%	88%	94%	94%
Total Results	96%	99%	95%	96%	99%	93%	99%	91%	96%	96%

	mAMP 500	MDMA	MOP	OPI	OXY	PCP	PPX	TCA**
Positive Agreement	>99%	>99%	>99%	>99%	98%	>99%	94%	>99%
Negative Agreement	96%	98%	94%	90%	99%	96%	99%	89%
Total Results	98%	99%	97%	95%	99%	97%	96%	94%

\* Note: BUP was based on LC/MS data instead of GC/MS

\*\* Note: TCA was based on HPLC data

Forty (40) clinical samples for each drug were run using each of the **Alere iScreen® Drugs of Abuse Test Card** by an untrained operator at a professional point of care site. Based on GC/MS data, the operator obtained statistically similar positive agreement, negative agreement and overall agreement rates as trained laboratory personnel. \*Note: TCA was based on HPLC data.

## Precision

A study was conducted at three physician offices by untrained operators using three different lots of product to demonstrate the within run, between run and between operator precision. An identical card of coded specimens, containing drugs at concentrations of  $\pm 50%$  and  $\pm 25%$  cut-off level, was labeled, blinded and tested at each site. The results are given below:

#### AMPHETAMINE (AMP 1,000)

Amphetamine conc. (ng/mL)	n per site	Site A		Site B		Site C	
		-	+	-	+	-	+
0	15	15	0	15	0	15	0
500	15	15	0	15	0	14	1
750	15	13	2	11	4	11	4
1,250	15	6	9	4	11	4	11
1,500	15	2	13	1	14	1	14

#### AMPHETAMINE (AMP 300)

Amphetamine conc. (ng/mL)	n per site	Site A		Site B		Site C	
		-	+	-	+	-	+
0	15	15	0	15	0	15	0
150	15	15	0	15	0	15	0
225	15	9	6	14	1	11	4
375	15	1	14	3	12	0	15
450	15	0	15	0	15	0	15

#### BARBITURATES (BAR)

Secobarbital conc. (ng/mL)	n per site	Site A		Site B		Site C	
		-	+	-	+	-	+
0	15	15	0	15	0	15	0
150	15	13	2	15	0	15	0
225	15	5	10	7	8	10	5
375	15	2	13	5	10	5	10
450	15	0	15	1	14	1	14

#### BENZODIAZEPINES (BZO)

Oxazepam conc. (ng/mL)	n per site	Site A		Site B		Site C	
		-	+	-	+	-	+
0	15	15	0	15	0	15	0
150	15	15	0	13	2	13	2
225	15	6	9	7	8	13	2
375	15	0	15	1	14	3	12
450	15	0	15	0	15	0	15

#### BUPRENORPHINE (BUP)

Buprenorphine conc. (ng/mL)	n per site	Site A		Site B		Site C	
		-	+	-	+	-	+
0	15	15	0	15	0	15	0
5	15	15	0	15	0	15	0
7.5	15	8	7	10	5	9	6
12.5	15	0	15	1	14	0	15
15	15	0	15	0	15	0	15

#### COCAINE (COC 300)

Benzoylecgonine conc. (ng/mL)	n per site	Site A		Site B		Site C	
		-	+	-	+	-	+
0	15	14*	0	15	0	15	0
150	15	14	1	15	0	14	1
225	15	4	11	5	10	8	7
375	15	0	15	0	15	0	15
450	15	0	15	0	15	1	14

\*Note: One invalid result was obtained.

#### COCAINE (COC 150)

Benzoylecgonine conc. (ng/mL)	n per site	Site A		Site B		Site C	
		-	+	-	+	-	+
0	15	15	0	15	0	15	0
75	15	15	0	14	1	15	0
112	15	13	2	7	8	15	0
187	15	0	15	0	15	1	14
225	15	0	15	0	15	0	15

#### MARIJUANA (THC)

11-nor- $\Delta^9$ -COOH conc. (ng/mL)	n per site	Site A		Site B		Site C	
		-	+	-	+	-	+
0	15	15	0	15	0	15	0
25	15	15	0	15	0	14	1
37.5	15	9	6	14	1	9	6
62.5	15	2	13	0	15	0	15
75	15	0	15	0	15	0	15

#### METHADONE (MTD)

Methadone conc. (ng/mL)	n per site	Site A		Site B		Site C	
		-	+	-	+	-	+
0	15	15	0	15	0	15	0
150	15	12	3	15	0	15	0
225	15	8	7	14	1	15	0
375	15	0	15	0	15	1	14
450	15	1	14	0	15	0	15

#### METHAMPHETAMINE (mAMP 1,000)

Methamphetamine conc. (ng/mL)	n per site	Site A		Site B		Site C	
		-	+	-	+	-	+
0	15	15	0	15	0	15	0
500	15	15	0	14	1	13	2
750	15	11	4	10	5	10	5
1,250	15	8	7	4	11	6	9
1,500	15	1	14	1	14	0	15

#### METHAMPHETAMINE (mAMP 500)

Methamphetamine conc. (ng/mL)	n per site	Site A		Site B		Site C	
		-	+	-	+	-	+
0	15	15	0	15	0	15	0
250	15	15	0	15	0	15	0
375	15	15	0	10	5	15	0
625	15	1	14	0	15	2	13
750	15	0	15	0	15	0	15

#### METHYLENEDIOXYMETHAMPHETAMINE (MDMA) Ecstasy

Methylenedioxyamphetamine conc. (ng/mL)	n per site	Site A		Site B		Site C	
		-	+	-	+	-	+
0	15	15	0	15	0	15	0
250	15	15	0	15	0	15	0
375	15	15	0	15	0	15	0
625	15	6	9	4	11	7	8
750	15	0	15	0	15	0	15

#### OPIATE (MOP 300)

Morphine conc. (ng/mL)	n per site	Site A		Site B		Site C	
		-	+	-	+	-	+
0	15	15	0	15	0	15	0
150	15	13	2	13	2	15	0
225	15	3	12	7	8	10	5
375	15	1	14	0	15	1	14
450	15	0	15	1	14	0	15

#### OPIATE (OPI 2,000)

Morphine conc. (ng/mL)	n per site	Site A		Site B		Site C	
		-	+	-	+	-	+
0	15	15	0	15	0	15	0
1,000	15	15	0	15	0	14	1
1,500	15	13	2	11	4	7	8
2,500	15	4	11	1	14	2	13
3,000	15	0	15	0	15	2	13

#### OXYCODONE (OXY)

Oxycodone conc. (ng/mL)	n per site	Site A		Site B		Site C	
		-	+	-	+	-	+
0	15	15	0	15	0	15	0
50	15	15	0	15	0	15	0
75	15	14	1	13	2	11	4
125	15	1	14	0	15	0	15
150	15	0	15	0	15	0	15

**PHENCYCLIDINE (PCP)**

Phencyclidine conc. (ng/mL)	n per site	Site A		Site B		Site C	
		-	+	-	+	-	+
0	15	15	0	15	0	15	0
12.5	15	15	0	14	1	14	1
18.75	15	11	4	13	2	10	5
31.25	15	8	7	5	10	1	14
37.5	15	4	11	0	15	0	15

**PROPOXYPHENE (PPX)**

Propoxyphene conc. (ng/mL)	n per site	Site A		Site B		Site C	
		-	+	-	+	-	+
0	15	15	0	15	0	15	0
150	15	15	0	15	0	14	1
225	15	10	5	8	7	7	8
375	15	0	15	0	15	1	14
450	15	0	15	0	15	0	15

**TRICYCLIC ANTIDEPRESSANTS (TCA)**

Nortriptyline conc. (ng/mL)	n per site	Site A		Site B		Site C	
		-	+	-	+	-	+
0	15	15	0	15	0	15	0
500	15	15	0	14	1	15	0
750	15	14	1	11	4	14	1
1,250	15	8	7	2	13	6	9
1,500	15	1	14	0	15	1	14

**Analytical Sensitivity**

A drug-free urine pool was spiked with drugs at the listed concentrations. The results are summarized below.

Drug Concentration Cut-off Range	AMP 1,000		AMP 300		BAR		BZO		BUP	
	-	+	-	+	-	+	-	+	-	+
0% Cut-off	30	0	30	0	30	0	30	0	90	0
-50% Cut-off	30	0	30	0	30	0	30	0	90	0
-25% Cut-off	22	8	27	3	27	3	27	3	75	15
Cut-off	12	18	13	17	22	8	11	19	60	30
+25% Cut-off	2	28	4	26	7	23	5	25	31	59
+50% Cut-off	0	30	0	30	2	28	0	30	0	90

Drug Concentration Cut-off Range	COC 300		COC 150		THC		MTD		mAMP 1,000	
	-	+	-	+	-	+	-	+	-	+
0% Cut-off	30	0	30	0	30	0	30	0	30	0
-50% Cut-off	30	0	30	0	30	0	29	1	30	0
-25% Cut-off	30	0	24	6	12	18	24	6	30	0
Cut-off	4	26	14	16	1	29	21	9	18	12
+25% Cut-off	0	30	7	23	1	29	2	28	1	29
+50% Cut-off	0	30	0	30	0	30	0	30	0	30

Drug Concentration Cut-off Range	mAMP 500		MDMA		MOP		OPI		OXY	
	-	+	-	+	-	+	-	+	-	+
0% Cut-off	30	0	30	0	30	0	30	0	30	0
-50% Cut-off	30	0	30	0	30	0	30	0	30	0
-25% Cut-off	23	7	26	4	25	5	30	0	30	0
Cut-off	13	17	17	13	17	13	13	17	18	12
+25% Cut-off	8	22	4	26	1	29	4	26	6	24
+50% Cut-off	0	30	0	30	0	30	0	30	0	30

Drug Concentration Cut-off Range	PCP		PPX		TCA	
	-	+	-	+	-	+
0% Cut-off	30	0	30	0	30	0
-50% Cut-off	30	0	30	0	30	0
-25% Cut-off	19	11	24	6	22	8
Cut-off	16	14	17	13	12	18
+25% Cut-off	6	24	7	23	7	23
+50% Cut-off	0	30	0	30	0	30

**Analytical Specificity**

The following table lists the concentrations of compounds (ng/mL) that are detected as positive in urine by the Alere iScreen® Drugs of Abuse Test Card at 5 minutes.

<b>AMPHETAMINE 1,000</b>		<b>METHAMPHETAMINE 500</b>	
d-Amphetamine	1,000	d-Methamphetamine	500
d,l-Amphetamine	3,000	p-Hydroxymethamphetamine	15,000
l-Amphetamine	50,000	l-Methamphetamine	4,000
Phentermine	3,000	Mephentermine	25,000

3,4-Methylenedioxyamphetamine (MDA)	2,000	d,l-Amphetamine (1R,2S)-(-)-Ephedrine	75,000
<b>AMPHETAMINE 300</b>		β-Phenylethylamine	50,000
d-Amphetamine	300	3,4-Methylenedioxyamphetamine (MDMA)	75,000
d,l-Amphetamine	390	d-Amphetamine	1,000
l-Amphetamine	50,000	Chloroquine	50,000
3,4-Methylenedioxyamphetamine (MDA)	1,560	l-Phenylephrine	12,500
p-Hydroxyamphetamine	1,560	100,000	100,000
β-Phenylethylamine	100,000	<b>METHADONE</b>	
Tyramine	100,000	Methadone	300
p-Hydroxynorephedrine	100,000	Doxylamine	50,000
Phenylpropanolamine (d,l-Norephedrine)	100,000	<b>METHYLENEDIOXYMETHAMPHETAMINE</b>	
<b>BARBITURATES</b>		3,4-Methylenedioxyamphetamine (MDMA)	500
Secobarbital	300	3,4-Methylenedioxyamphetamine (MDA)	3,000
Amobarbital	300	3,4-Methylenedioxyethylamphetamine (MDEA)	300
Alphenal	150	<b>MORPHINE 300</b>	
Aprobarbital	200	Morphine	300
Butobarbital	75	Codeine	300
Butethal	100	Ethylmorphine	6,250
Butalbital	2,500	Hydrocodone	50,000
Cyclopentobarbital	600	Hydromorphone	3,125
Pentobarbital	300	Levorphanol	1,500
Phenobarbital	100	6-Monoacetylmorphine (6-MAM)	400
<b>BUPRENORPHINE</b>		Morphine 3-β-D-glucuronide	1,000
Buprenorphine	10	Norcodeine	6,250
Norbuprenorphine	20	Normorphine	100,000
Buprenorphine 3-D-glucuronide	15	Oxycodone	30,000
Norbuprenorphine 3-D-glucuronide	200	Oxymorphone	100,000
<b>BENZODIAZEPINES</b>		Procaine	15,000
Oxazepam	300	Thebaine	6,250
Alprazolam	196	<b>OPIATE 2,000</b>	
α-Hydroxyalprazolam	1,262	Morphine	2,000
Bromazepam	1,562	Codeine	2,000
Chlordiazepoxide	1,562	Ethylmorphine	5,000
Clonazepam	781	Hydrocodone	12,500
Clorazepate	195	Hydromorphone	5,000
Delorazepam	1,562	Levorphanol	75,000
Desalkylflurazepam	390	6-Monoacetylmorphine (6-MAM)	5,000
Diazepam	195	Morphine 3-β-D-glucuronide	2,000
Estazolam	2,500	Norcodeine	12,500
Flunitrazepam	390	Normorphine	50,000
d,l-Lorazepam	1,562	Oxycodone	25,000
RS-Lorazepam glucuronide	1,562	Oxymorphone	25,000
Midazolam	12,500	Procaine	150,000
Nitrazepam	98	Thebaine	100,000
Norchlordiazepoxide	195	<b>OXYCODONE</b>	
Nordiazepam	390	Oxycodone	100
Temazepam	98	Hydrocodone	6,250
Triazolam	2,500	Hydromorphone	50,000
<b>COCAINE 300</b>		Levorphanol	50,000
Benzoylcegonine	300	Naloxone	37,500
Cocaine	780	Naltrexone	37,500
Cocaehtylene	12,500	Oxymorphone	200
Ecgonine	32,000	<b>PROPOXYPHENE</b>	
<b>COCAINE 150</b>		d-Propoxyphene	300
Benzoylcegonine	150	d-Norpropoxyphene	300
Cocaine	400	<b>PHENCYCLIDINE</b>	
Cocaehtylene	6,250	Phencyclidine	25
Ecgonine	12,500	4-Hydroxyphencyclidine	12,500
Ecgonine methylester	50,000	<b>TRICYCLIC ANTIDEPRESSANTS</b>	
<b>MARIJUANA</b>		Nortriptyline	1,000
11-nor-Δ <sup>9</sup> -THC-9 COOH	50	Nordoxepin	1,000
Cannabinol	20,000	Trimipramine	3,000
11-nor-Δ <sup>9</sup> -THC-9 COOH	30	Amitriptyline	1,500
Δ <sup>9</sup> -THC	15,000	Promazine	1,500

Δ <sup>9</sup> -THC	15,000	Desipramine	200
<b>METHAMPHETAMINE 1,000</b>		Imipramine	400
d-Methamphetamine	1,000	Clomipramine	12,500
p-Hydroxymethamphetamine	30,000	Doxepin	2,000
l-Methamphetamine	8,000	Maprotiline	2,000
Mephentermine	50,000	Promethazine	25,000
3,4-Methylenedioxyamphetamine (MDMA)	2,000		

**Effect of Urinary Specific Gravity**

Fifteen (15) urine samples of normal, high, and low specific gravity ranges (1.000-1.037) were spiked with drugs at 50% below and 50% above cut-off levels respectively. The Alere iScreen® Drugs of Abuse Test Card was tested in duplicate using fifteen drug-free urine and spiked urine samples. The results demonstrate that varying ranges of urinary specific gravity do not affect the test results.

**Effect of Urinary pH**

The pH of an aliquoted negative urine pool was adjusted to a pH range of 5 to 9 in 1 pH unit increments and spiked with drugs at 50% below and 50% above cut-off levels. The spiked, pH-adjusted urine was tested with the Alere iScreen® Drugs of Abuse Test Card. The results demonstrate that varying ranges of pH do not interfere with the performance of the test.

**Cross-Reactivity**

A study was conducted to determine the cross-reactivity of the test with compounds in either drug-free urine or drug positive urine containing, Amphetamine, Barbiturates, Benzodiazepines, Buprenorphine, Cocaine, Marijuana, Methadone, Methamphetamine, Methylenedioxyamphetamine, Opiate, Oxycodone, Phencyclidine, Propoxyphene or Tricyclic Antidepressants. The following compounds show no cross-reactivity when tested with the Alere iScreen® Drugs of Abuse Test Card at a concentration of 100 µg/mL.

**Non Cross-Reacting Compounds**

Acetophenetidin	l-Cotinine	Ketamine	d-Pseudoephedrine
N-Acetylprocainamide	Creatinine	Ketoprofen	Quinidine
Acetylsalicylic acid	Deoxycorticosterone	Labetalol	Quinine
Aminopyrine	Dextromethorphan	Loperamide	Salicylic acid
Amoxicillin	Diclofenac	Meproamate	Serotonin
Ampicillin	Diffunisal	Methoxyphenamine	Sulfamethazine
l-Ascorbic acid	Digoxin	Methylphenidate	Sulindac
Apomorphine	Diphenhydramine	Nalidixic acid	Tetracycline
Aspartame	Ethyl-p-aminobenzoate	Naproxen	Tetrahydrocortisone, 3-acetate
Atropine	β-Estradiol	Niacinamide	Tetrahydrocortisone
Benzilic acid	Estrone-3-sulfate	Nifedipine	Tetrahydrozoline
Benzoic acid	Erythromycin	Norethindrone	Thiamine
Bilirubin	Fenoprofen	Noscapine	Thioridazine
d,l-Brompheniramine	Furosemide	d,l-Octopamine	Thiodiazine
Caffeine	Gentisic acid	Oxalic acid	d,l-Tyrosine
Cannabidiol	Hemoglobin	Oxolinic acid	Tolbutamide
Chloral hydrate	Hydralazine	Oxymetazoline	Triamterene
Chloramphenicol	Hydrochlorothiazide	Papaverine	Trifluoperazine
Chlorothiazide	Hydrocortisone	Penicillin-G	Trimethoprim
d,l-Chlorpheniramine	o-Hydroxyhippuric acid	Perphenazine	d,l-Tryptophan
Chlorpromazine	3-Hydroxytyramine	Phenelzine	Uric acid
Cholesterol	d,l-Isoproterenol	Prednisone	Verapamil
Clonidine	Isosuprine	d,l-Propranolol	Zomepirac
Cortisone			

**BIBLIOGRAPHY**

- Hawks RL, CN Chiang. *Urine Testing for Drugs of Abuse*. National Institute for Drug Abuse (NIDA), Research Monograph 73, 1986.
- Tietz NW. *Textbook of Clinical Chemistry*. W.B. Saunders Company, 1986; 1735.
- Stewart DJ, Inaba T, Lucassen M, Kalow W. *Clin. Pharmacol. Ther.* April 1979; 25 ed: 464, 264-8.
- Ambre J. *J. Anal. Toxicol.* 1988; 9:241.
- Winger, Gail. *A Handbook of Drug and Alcohol Abuse*, Third Edition, Oxford Press, 1992, page 146.
- Robert DeCresce. *Drug Testing in the workplace*. 1989 page 114.
- Glass, IB. *The International Handbook of Addiction Behavior*. Routledge Publishing, New York, NY. 1991; 216
- B. Cody, J.T., "Specimen Adulteration in drug urinalysis. *Forensic Sci. Rev.*, 1990, 2:63.
- C. Tsai, S.C. et al., *J. Anal. Toxicol.* 1998; 22 (6): 474
- Baselt RC. *Disposition of Toxic Drugs and Chemicals in Man*, 6th Ed. Biomedical Publ., Foster City, CA 2002.



Manufactured for Alere Toxicology Services-Products Division  
Portsmouth, VA 23704 USA  
© 2011 Alere. All rights reserved.

The Alere Logo, Alere and iScreen are trademarks of the Alere group of companies.