

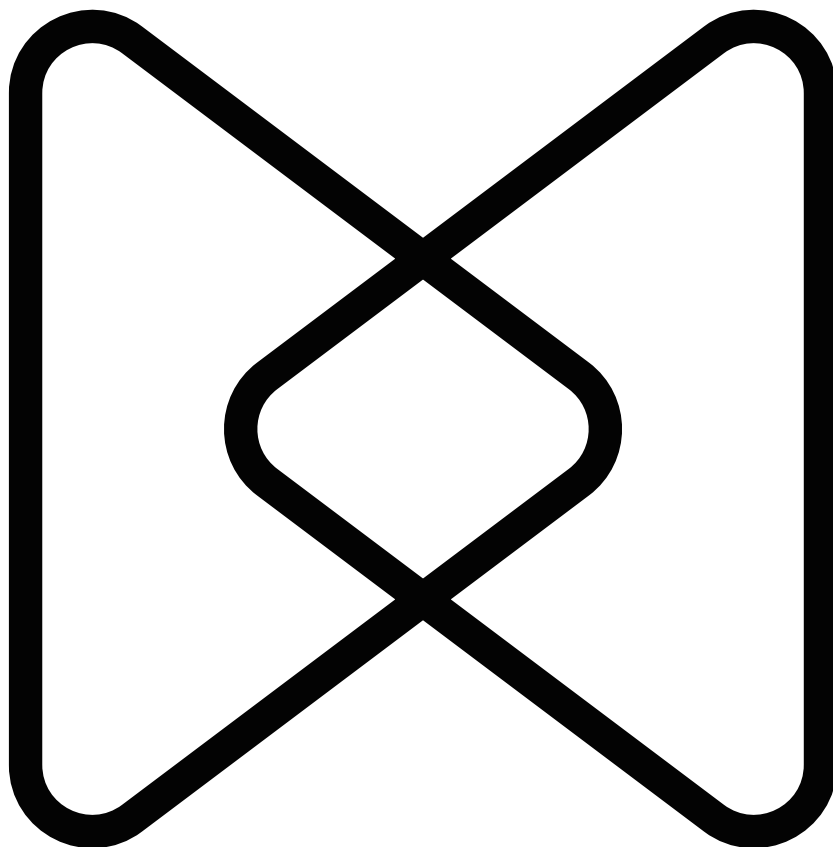
Made In China



Shower Set

CZ33003

User's Guide



Congratulations on the purchase of your new HOMELODY plumbing fixture!

Please keep the box and packaging materials until your product is completely installed. If you have any questions, require technical assistance or have any problems with your product:



DO NOT RETURN TO STORE

**Please contact our Customer Service Team
service@homelody.net**

Have the model number available and retain a copy of your receipt with purchase date for reference.

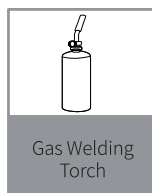
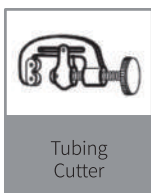
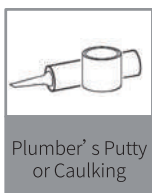
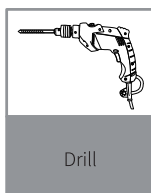
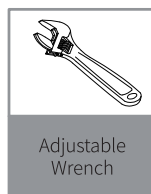
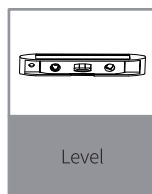
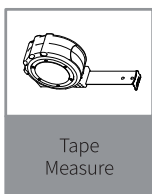
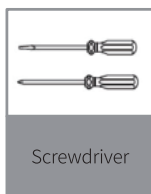
If for any reason this product does not meet your expectations, please be sure to repack this product in the original box and packaging material to avoid damage during transit.

Prior to Installation:

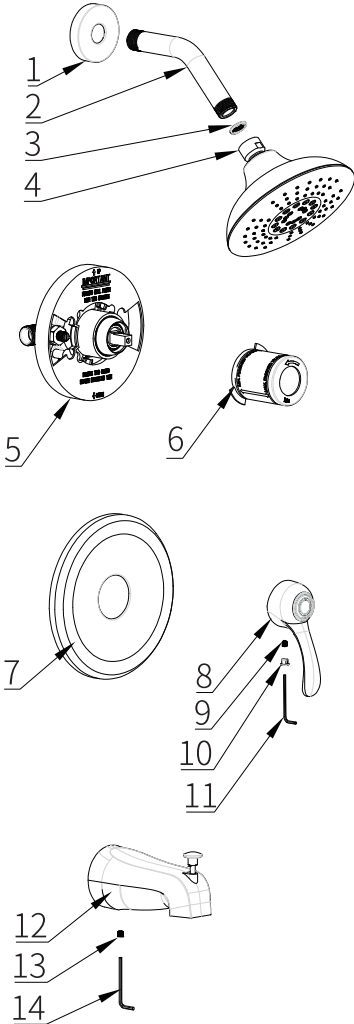
- Make sure you have all necessary parts by checking the diagram and parts list. If any part is miss or damaged, please contact HOMELODY Customer Service at service@homelody.net for a replacement.
- The impurities in the water supply pipe must be cleared before installation to avoid blockage.
- Recommended water pressure range: 0.1MPa-0.5MPa(1Bar-5Bar)
- Recommended water temperature range: 41°F-176°F(5°C-80°C)

For technical assistance or replacement parts, please contact HOMELODY Customer Service and one of our representative will be happy to help:
service@homelody.net

Recommended Tools & Materials

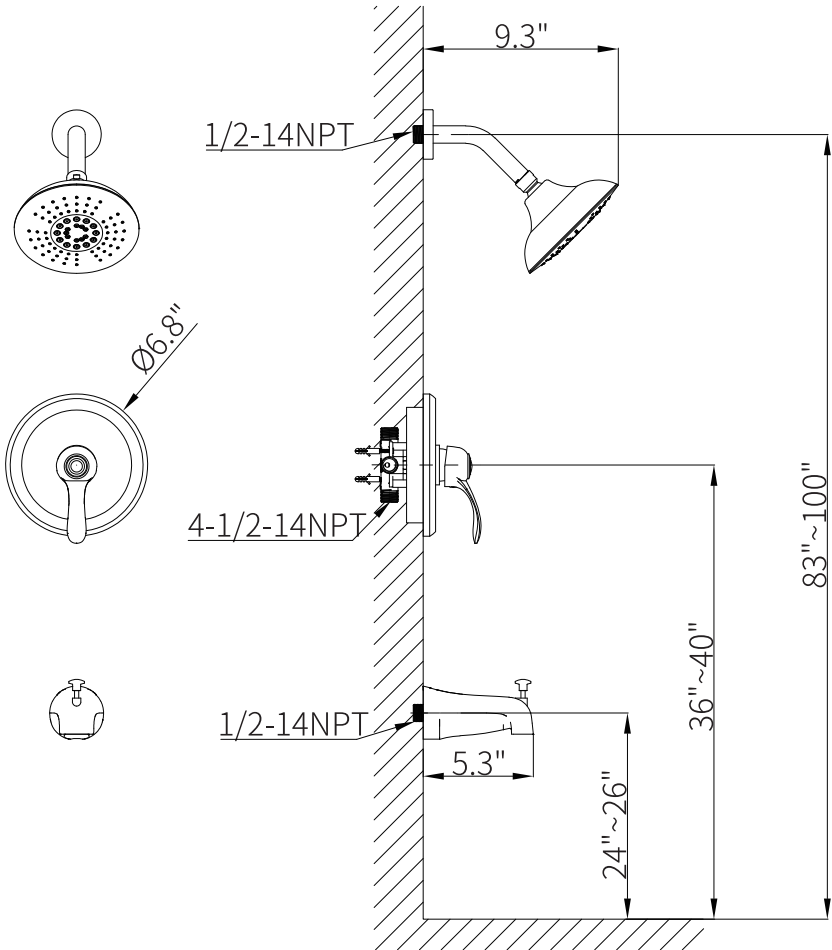


Parts List



1. Shower Arm Cover
2. Shower Arm
3. Rubber Washer
4. Shower Head
5. Valve Body Assembly
6. Protective Sleeve
7. Escutcheon
8. Handle
9. M5 Set-Screw
10. Plug Button
11. 2.5mm Hex Wrench
12. Spout Assembly
13. M6 Set-Screw
14. 3.0mm Hex Wrench

Dimensions

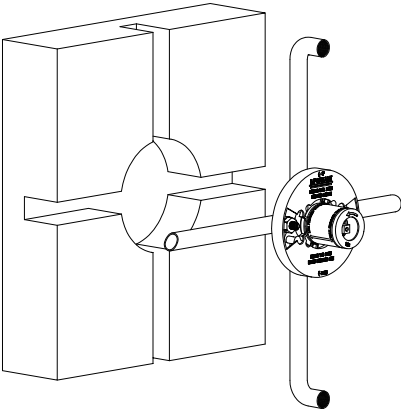


Installer Tip:

shut off main water supply before installing new shower set.

Installation Procedure

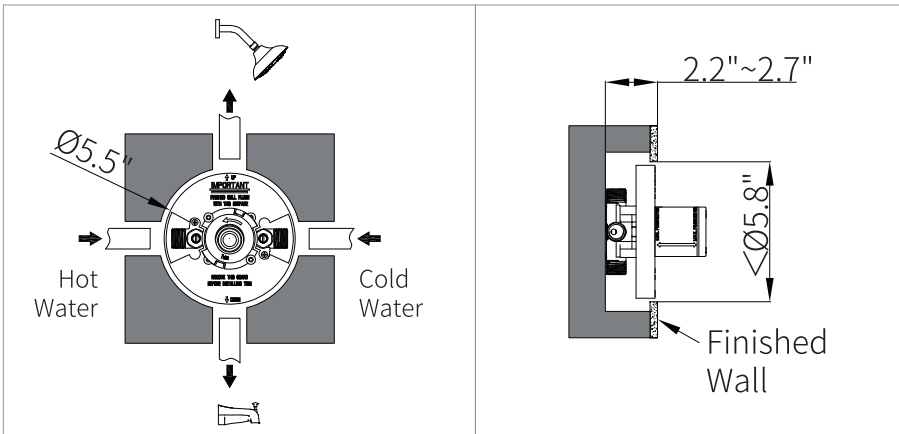
Step 1.



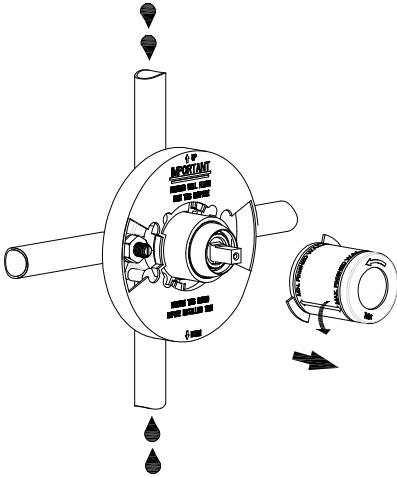
- a. Drill the holes on the wall for valve body assembly, hot and cold water inlet pipes as well as shower arm and spout connection pipes according to the dimension drawings. Then connect all the pipes.
- ⚠ Copper pipe welding should be completed by a licensed plumber. All the internal valve components must be removed before welding.

Notes:

Make sure that the valve body assembly is installed in such a way that the finished wall is between the Max and Min marks. Apply plumber's tape to any threaded connections if applicable.

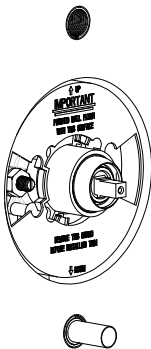


Step 2.



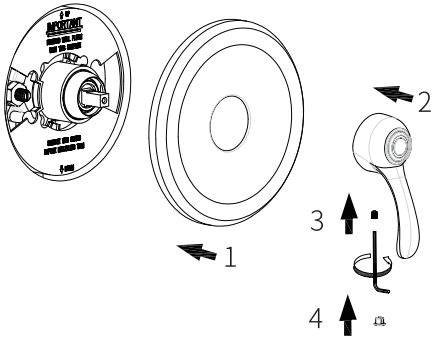
- b. After the pipe connection is completed, take off the protective sleeve, open the cartridge, flush the pipeline; then close the cartridge to check the pressure resistance and sealing performance of the pipeline, make sure there is no leakage. Block each outlet pipe with a stopper then open the cartridge to check if the pipe joint is well-sealed.

Step 3.



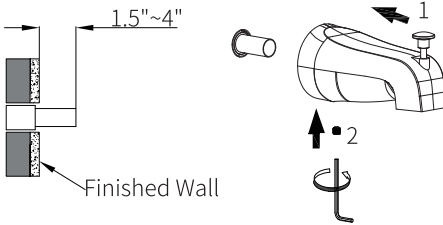
- c. Use a level to ensure that the valve is installed straight, then sealing the wall.

Step 4.



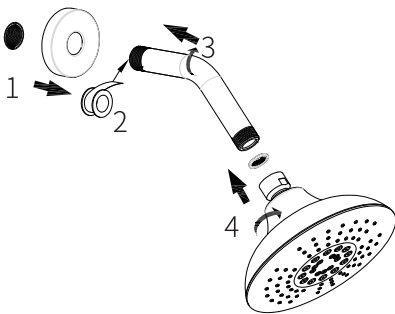
Install the handle.

Step 5.



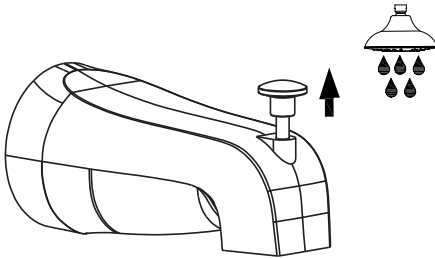
Install the spout Assembly.

Step 6.

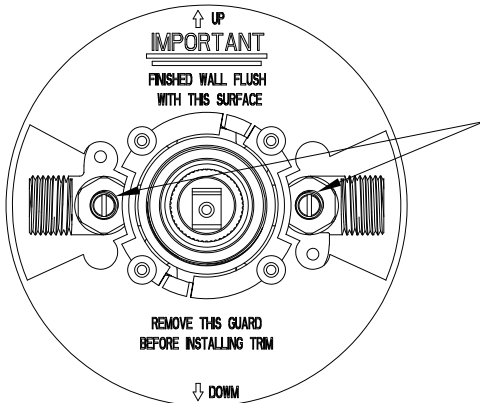


Install the shower head.

Usage Instruction



When you open the faucet, it is bathtub spout outlet water; if you want to switch to the shower head outlet water, please pull up the lifting rod of the bathtub spout, it will shower head outlet water.



You can close the inlet water by screwing the device rod to the end clockwise with a slotted screwdriver.

The left and right inlet water adjusting devices can adjust the flow rate and close the inlet water when you need to repair/change cartridge.

We' d love to hear from you

Thank you for your recent purchase of our HOMELODY product. We hope you will be pleased with both the product and service you received. If not, please give our helpful customer service team an opportunity to improve your experience right away; our team members are more than happy to help.

Meanwhile, we also welcome you to post a Product Review so that others can benefit from your experience. As a growing business, we know how scarce time can be, so we especially appreciate your time and input.

To submit your review, please follow the steps below:

- 1 Log into your account on Amazon, click “Your Account,” and then click “Your Orders.”
- 2 Click on the specific HOMELODY Product you purchased, and select the “Create your own review” button in the middle of the page.
- 3 Now post an informative review or even shoot a video to make your experience more visible-it' s that easy !

We' re always looking for ways to improve, so thanks again for your business, support, and feedback.

Best Regards,
HOMELODY Customer Support

Email: HOMELODY Team service@homelody.net (We will reply within 72 hours)

Website: www.homelody.net

Care & Maintenance

* To keep the product clean & shining, follow the steps below:

1. Rinse with clean water & dry with a soft cloth
2. Do not clean with soaps, acid, polish, abrasives or harsh cleaners
3. Do not use cloth with a coarse surface
4. Unscrew the aerator and clean when necessary

* This installation manual is subject to change without further notice.

HOMELODY WARRANTY

HOMELODY products are manufactured and tested to the highest quality standards by HOMELODY Team. (“HOMELODY”)

HOMELODY extends this warranty to the original purchaser for personal household use of the “HOMELODY Product” in its original location. The warranty is non-transferable.

HOMELODY warrants the structure and finish of the product to be free from defects in material and workmanship under normal usage for the lifetime of the product. The warranty commences from the initial date of purchase by the owner or trade professional, from an authorized HOMELODY dealer, through the lifetime of the original owner or end-user.

HOMELODY warrants the mechanical components such as but not limited to sprayhead assembly (includes nylon, silicon and stainless steel, etc) of the product to be free from defects in material and workmanship under normal usage for a period of one(1) year. The warranty commences from the initial date for purchase by the owner or trade professional, from an authorized HOMELODY dealer, through the one(1) year term of the original owner or end-user.

HOMELODY warrants the mechanical component(cartridge) of the product to be free from defects in material and workmanship under normal usage for a period of five(5) years. The warranty commences from the initial date of purchase by the owner or trade professional, from an authorized HOMELODY dealer, through the five(5) year term of the original owner or end-user.

Any product reported to the authorized dealer or to HOMELODY as being defective within the warranty period will be repaired or replaced with a product of equal value at the option of HOMELODY. This warranty extends to the original owner or end-user, and is not transferable to a subsequent owner.

RESTRIVCTIONS

This warranty does not cover antediluvian, discontinued, or display products, whether such items are purchased at discount outlets, unauthorized dealers, and/or sold on clearance.

This warranty does not cover instances of negligence, misuse, abuse, improper installation, carelessness, accident, hard water or mineral deposits, exposure to corrosive material, misapplication, damages caused by improper maintenance, alteration of the product, or failure to follow care or installation instructions enclosed with your product. Avoid using abrasive cleaners such as powders, bleach, ammonia, alcohol, or chlorine. Avoid using abrasive pads, steel wool, or wire brushes, as these will damage and wear down the finish.

This warranty does not apply to Products that have not been installed or operated in accordance with instructions supplied by HOMELODY and all applicable rules, regulations, and legislation pertaining to such installation.

This warranty does not cover labor charges or costs of removal and reinstallation of said product. This warranty does not allow recovery of incidental or consequential damages, such as loss of use, property damage, or other consequential damages, and HOMELODY accepts no liability for such damages.

This warranty does not cover Marine or Outdoor Installation.

Except as otherwise provided above, HOMELODY makes no warranties, expressed or implied, including warranties of merchantability and fitness for a particular purpose, or compliance with any code.

Shipping charges will be covered for the first(1) years of the warranted replacement part or product (HI, AK, and Puerto Rico shipping charges may apply). International shipping fees are not included.

COMMERCIAL WARRANTY

HOMELODY extends the above warranty for a period of one(1) year to purchasers of products for industrial, commercial, and business use.

All incidental or consequential damages are specifically excluded. No additional warranties, express or implied, are given, including but not limited to any implied warranty of merchantability or fitness for a particular purpose.

Some states do not allow the exclusion or limitation of incidental or consequential damages or limitations on how long an implied warranty lasts, so the above limitations or exclusions may not apply to you.

This warranty gives you specific legal rights, and you may also have other rights which vary from state to state.

HOMELODY USA has the right to change, modify and/or update the warranty policy at any time. For the latest, most up to date comprehensive warranty, go to www.homelody.net

If you are a homeowner please contact a HOMELODY Customer Service Representative at:
HOMELODY Team service@homelody.net

In requesting warranty service, please be ready to provide:

1. Proof of purchase
2. A description of the problem

Importer/Seller:

Company : ShenZhenShi ChengLing KeJi YouXianGongSi
Add : Room 111B, XiChuangKongJian, Building No. 10, The Second
GuanLong Industrial Zone, XiLi Street, NanShan District, ShenZhen
Customer Service Email : service@homelody.net

Manufacturer:

Company : HeShanShi Bai Sheng Jia Pin Chu Wei Ke Ji YouXianGongSi
Add : B Qu Dongxi Kai Fa Qu Zhi Shan Zhen He Shan City

Home Design Melody Inside



HOMELODY