

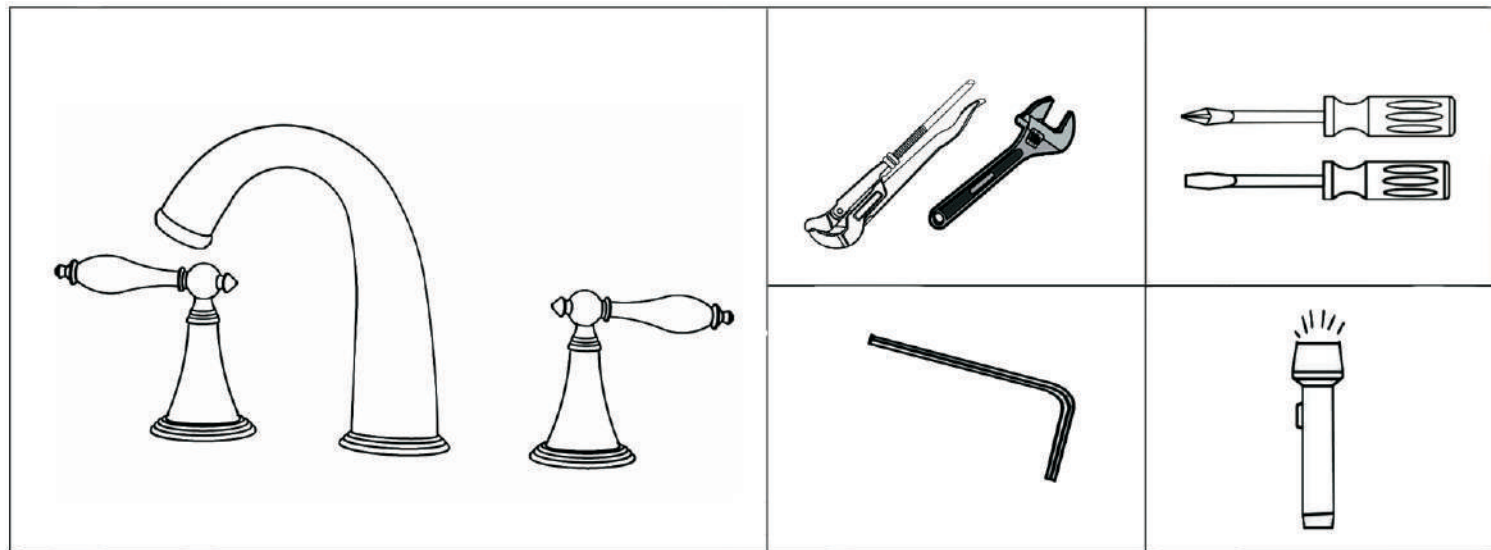


Bathroom Faucet Installation

Thank you for purchasing from HOMELODY!

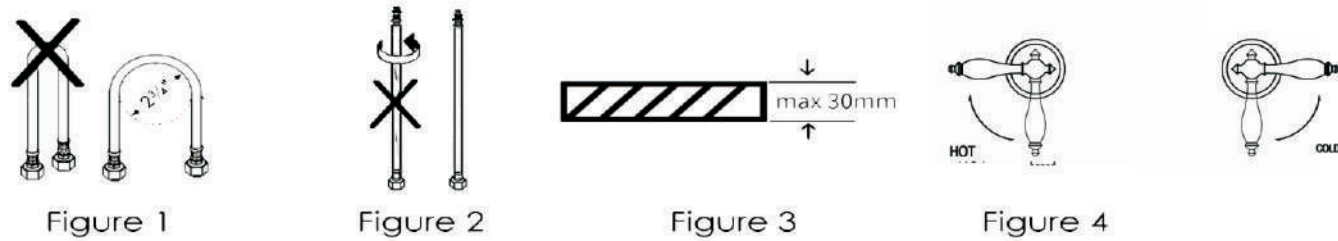
CZ13001

Two Handle Widespread Bathroom Faucet

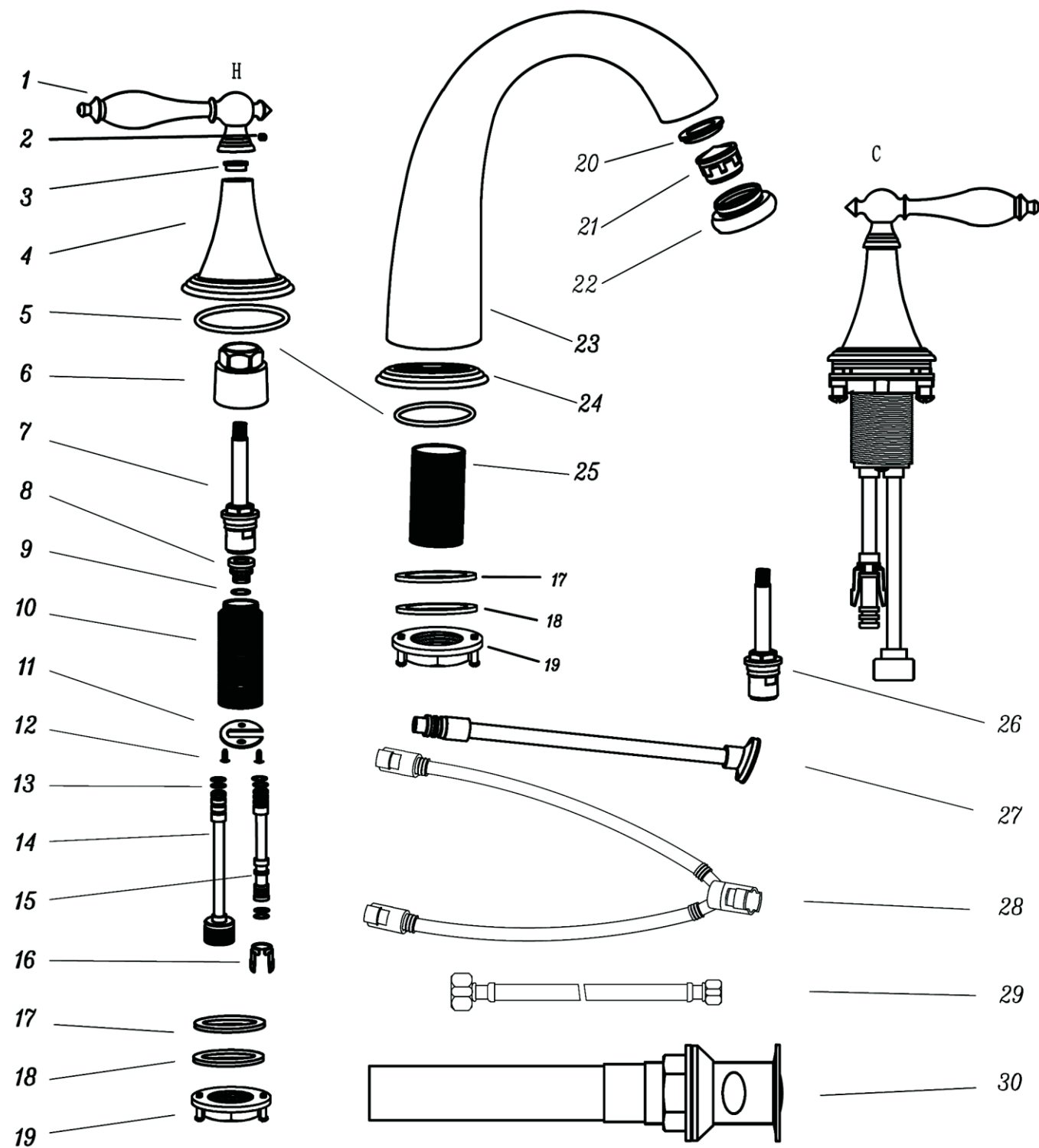


Note:

- The inlet pipe should not be overly bent. (Figure 1)
- The inlet pipe should not be overly twisted. (Figure 2)
- Maximum thickness for sink or countertop is 1 3/16" or 30mm. (Figure 3)
- Handle with the hot label should be installed in the left hole. (Figure 4)
- Read all instructions thoroughly refer to Components List for part names



Pex. water hose x2	Mixed water pipe	O Ring
Gasket (Rubber Gasket a, stainless Steel Gasket b)	Handle lock Nuts	Pop-up Drain



NO.:	Part Name	Material	NO.:	Part Name	Material	NO.:	Part Name	Material
1	Handle	Zinc	11	Metal Washer	Stainless steel	21	Cascade	Plastic
2	Set Screw	Stainless steel	12	Screw	Stainless steel	22	Sleeve	Brass
3	Plastic sheath	Plastic	13	O Ring	Rubber	23	Spout	Zinc
4	Decorative Cover	Zinc	14	Hose	Brass	24	Spout Base	Brass
5	O Ring	Rubber	15	Hose	Brass	25	Sleeve	Stainless steel
6	Lock Nut	Aluminum alloy	16	Connector	Plastic	26	Cartridge Cold	Plastic+Ceramic
7	Cartridge? Hot?	Plastic+Ceramic	17	Rubber Washer	Rubber	27	Hose	Plastic
8	Connector	Plastic	18	Metal Washer	Stainless steel	28	Mixed water pipe	Plastic
9	O Ring	Rubber	19	Lock Nut	Brass	29	Hose	Brass+Nilooy
10	Under Body	Plastic	20	Rubber Washer	Rubber	30	Pop-up	Plastic

Faucet Installation

