









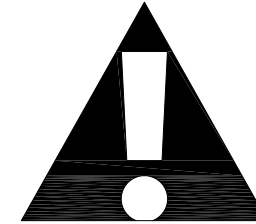


- | | |
|-----------------------|---------------------------|
| 1. Balance Valve | 7. Decorative Cover |
| 2. Plastic Protective | 8. Shower Arm |
| 3. Decorative Cover | 9. Product Manual |
| 4. Shower Head | 10. Cable Evaluation Card |
| 5. Bathtub Spot | 11. Teflon Tape |
| 6. Valve Cover | 12. Screw Accessories |

You may need to prepare below tools:

1  Screwdriver	6  Teflon tape
2  Adjustable pliers	7  Plumber's putty
3  Adjustable wrench	8  Caulk
4  Pex tube cutter	9  Tape measure
5  Crimping tool	10  Safety glasses



You may need to purchase:

1/2" Female Threaded to

1/2" PEX adapters

1/2" PEX and Copper Couplings

Crimp Rings

1/2" Copper and PEX Tubing

Torch and Lead-free Solder Kit

Safety tips

To avoid crushing and cutting injuries during assembly, gloves must be worn.

This product is only allowed for bath, hygiene and cleansing purposes. Excessive pressure differences between hot and cold water pipes must be balanced.

Installation tips

Before installation, the product must be inspected for transportation damage. After installation, transportation damage or surface scratches will not be recognized.

Pipes and valves must be installed, flushed, and inspected in accordance with common standards.

Please observe the current installation regulations in your country.

Use the relief valve only as specified. Do not fix semi-dew columns and other components to the relief valve.

Do not use silica gel containing acetic acid during installation!

Technical parameters

Working pressure: max. 1 Mpa

Recommended working pressure: 0.1 - 0.5 Mpa

Test pressure: 1.6 Mpa

(1 Mpa = 10 bar = 145 PSI)

Hot water temperature: up to 70° C

Recommended temperature: up to 65° C

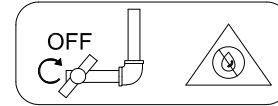
Thermal disinfection: max. 70° C / 4 minutes

Tips

1. Before installing the faucet, the debris in the pipeline must be washed away to avoid the pipeline being blocked.

2. Make sure that the pipes are left hot and right cold.

1 As shown in the figure, please close the main valve of Entrance water pipe.

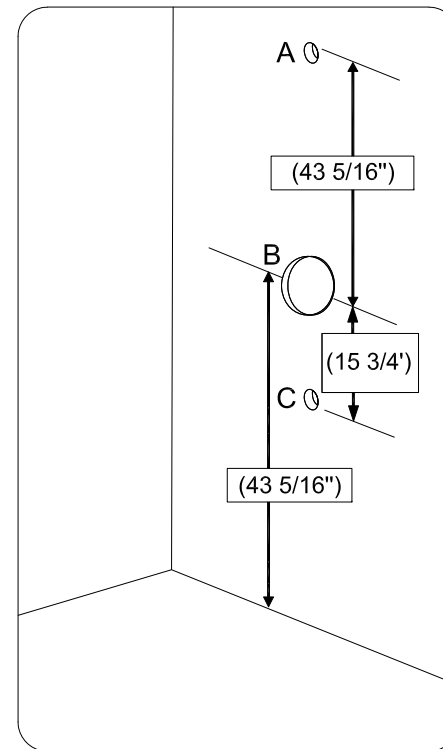


2 Drill three holes in the wall according to the drawing:

A : Pressure balance valve hole

B : Top spray hole

C : Bathtub spout hole



3 Connect the valve to the pipes as the right picture

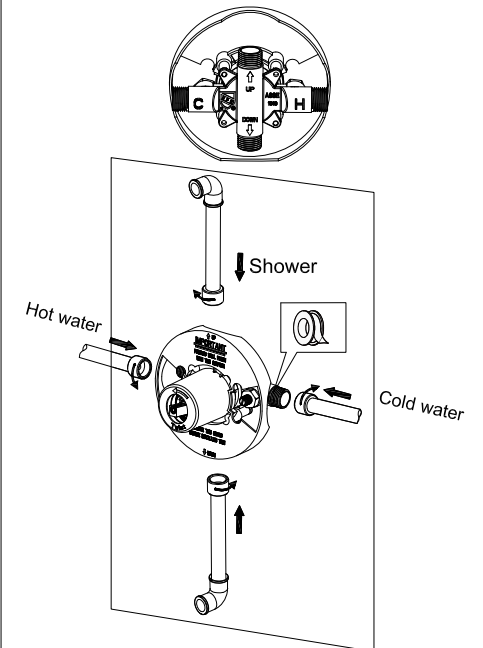
Identify the markings on the back of valve body

UP marking : Connect the top spray pipe in the wall

DOWN marking : Connect the bathtub spout pipe in the wall

H marking : Connect the hot water pipe in the wall

C marking : Connect the cold water pipe in the wall

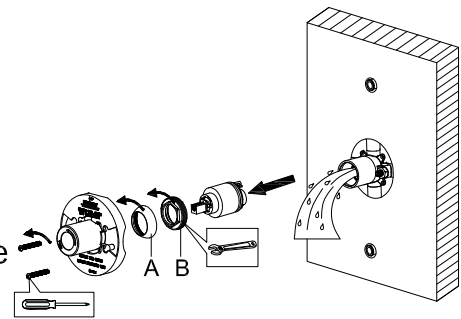


4

1.Remove the cartridge cover (part A) by hand

2.Remove the valve gland(part B) by adjustable wrench

3.Remove the cartridge and open the inlet valve to rush the silt in the pipe

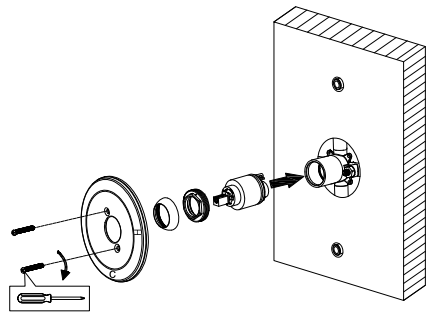


4.Keep the water flowing for one minute to check the pipe connection position is leaking.

5

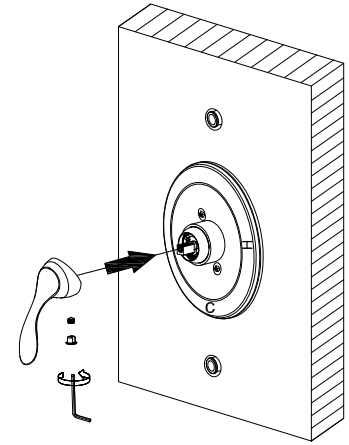
1.Reinstall the cartridge,then install the panel on the valve.

2.install the valve trim by screwdriver.



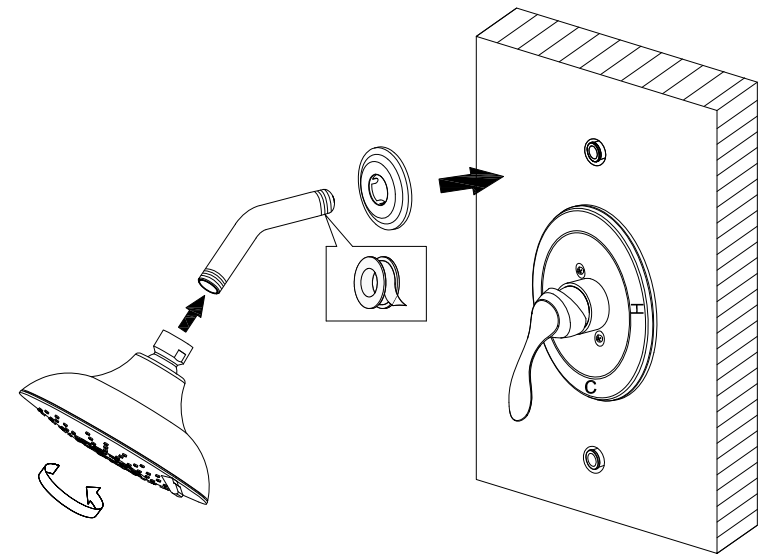
6

Install the handle with Allen key as below picture



7

Install the cover, shower arm and shower head as below picture

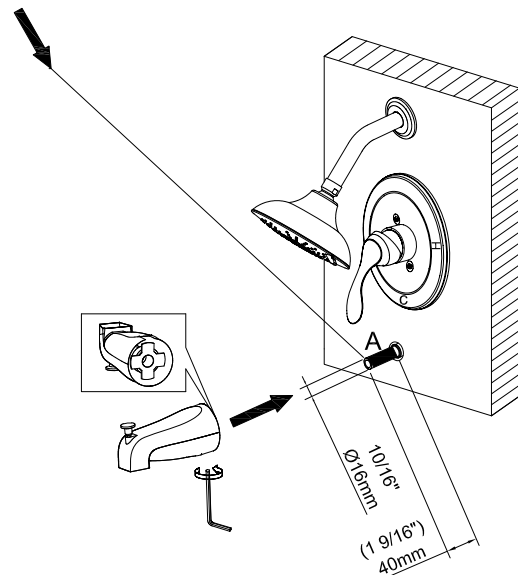


Install the bathtub spout on the water pipe as the picture

Notice :

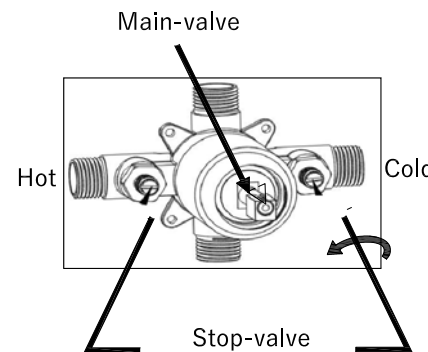
Before install the bathtub spout , please be sure to polish the edge(Location A) of the copper

pipe with sand paper, lest the copper pipe is too sharp to damage the inner sealing ring of the bathtub outlet.



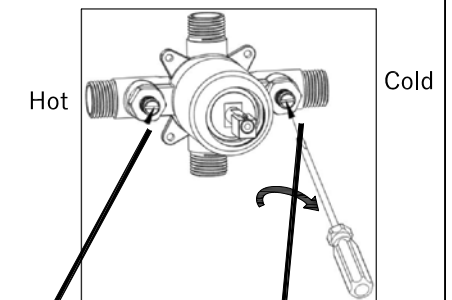
How to solve the issue of Spout & Shower running in the same time?

1. Disassemble the Handle & Escutcheon;
2. Make sure the Hot/Cold Stop-valve in Turn-on & also to full-open position (adjust by Phillips screwdriver), see below (Picture 1)
3. Turn on the Main-valve with Spout function, if the shower still dripping then, use screw driver to adjust both Hot & Cold Stop-valve (Clockwise) half turn, see below (Picture 2)
4. If the Shower keep dripping. try another half turn for both Hot & Cold side Stop-valve by Clockwise position.



Turn on both Hot & Cold Stop-valve to full-open Position.

Picture 1



Adjust both Hot & Cold Stop-valve (Clockwise) half turn.

Picture 2