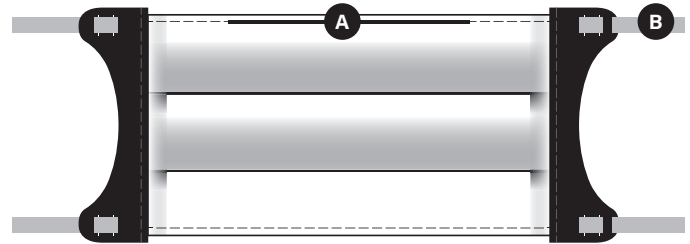




## CC-FM2 MASK

### TECHNICAL FEATURES

- The mask has two flaps to insert a filter
- Nose wire to seal and prevent humidity from getting in the glasses or visor **A**
- Adjustable and replaceable attach system **B**
- Washable and reusable
- Fabric composition : 75 % polyester, 25 % cotton
- Made in Canada 100 %



### IMPORTANT ELEMENTS TO CONSIDER ON FABRIC MASKS

- 1** Not all masks protect the same way. Fabric masks can be used as an additional protection but does not replace medical masks.
- 2** Fabric masks need to be removed and washed properly. Adjust mask properly to ensure it stays in place and avoid touching it for less risk of contamination. It is important to remove the mask by the elastics. Not by the part covering the face. Do not forget to wash after each use!
  - Wash your hands often with soap under warm running water for at least 20 seconds.
  - Use an alcohol-based hand rub if soap and water are not available.
  - Practice proper cough and sneeze etiquette:
    - ♦ Cover your mouth and nose with your arm to reduce the spread of germs.
    - ♦ If you use a tissue, dispose of it as soon as possible and wash your hands afterwards.
  - If you are sick, avoid contact with more vulnerable people, including older adults and people with a weak immune system or a chronic disease. For example, avoid visiting people in hospital, people living in residential and long-term care centres or in private residences.
  - Avoid direct contact when you greet someone, such as shaking hands, and use alternative ways to greet people.
- 3** Wearing a mask must not replace the health recommendations for everyone. Read the recommendations of the government of Canada :
  - Practice social distancing and keep 2 metres away from other individuals.

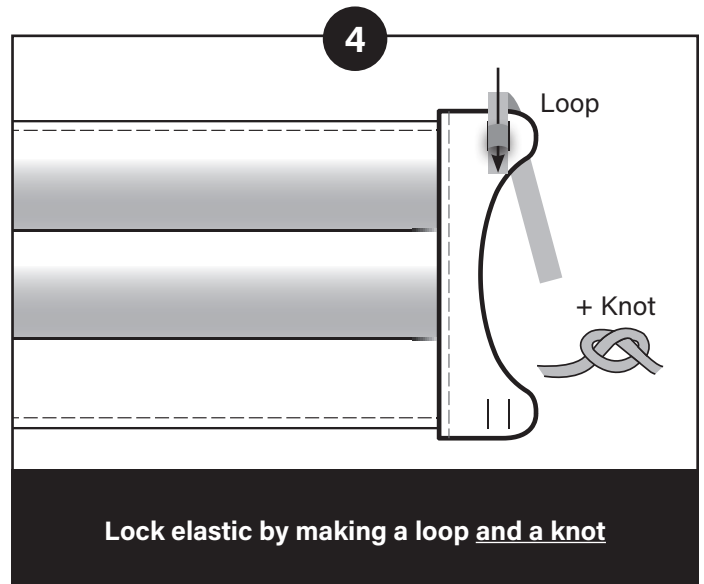
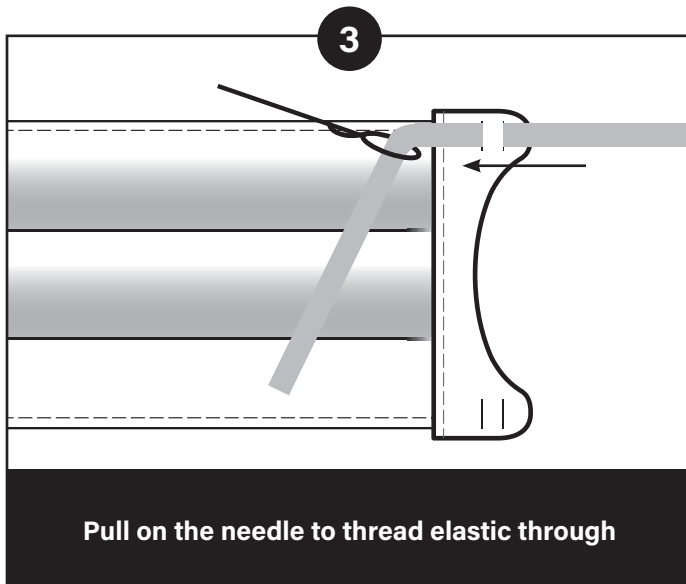
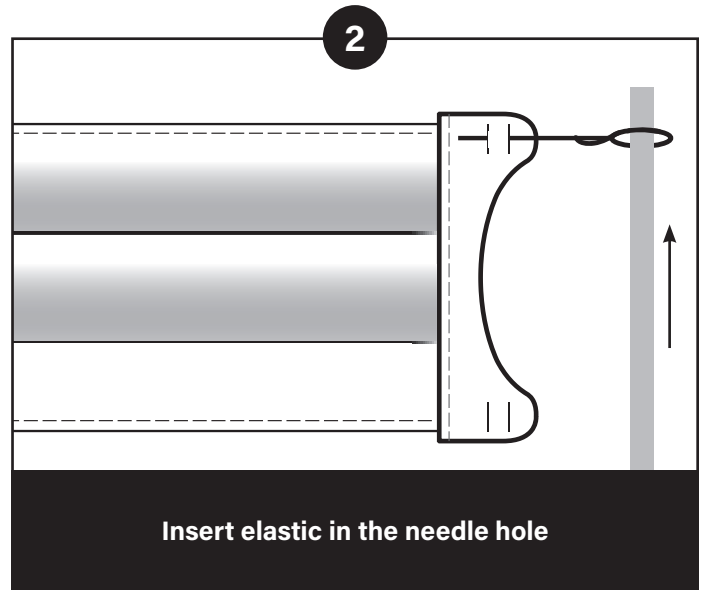
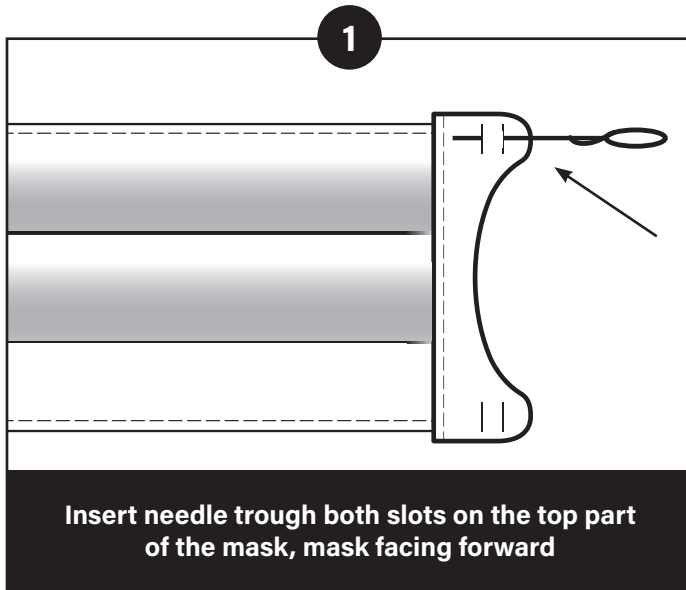
#### **IMPORTANT! To wash the mask :**

- Remove the elastics.
- Wash in cold or lukewarm water.
- Dry mask by suspending it (do not use drying machine).

## STEPS FOR INSTALLING ELASTICS ON THE MASKS

To facilitate the installation make sure to use the needle packaged with the mask.

Visit our Facebook page to watch the step by step video if needed.



Repeat step 1 to 4 on the bottom of the mask, mask facing backward. Adjust elastics length and make a knot at the end of the elastics.

Clean the mask after each use (instructions on the first page).

It is important that the elastics are adjusted before each use.