

Series 30

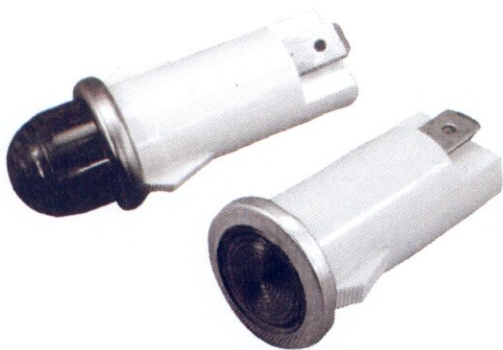
Features

- Snap fits into .500" panel hole
- LED, incandescent, and neon illumination
- Many lens styles available

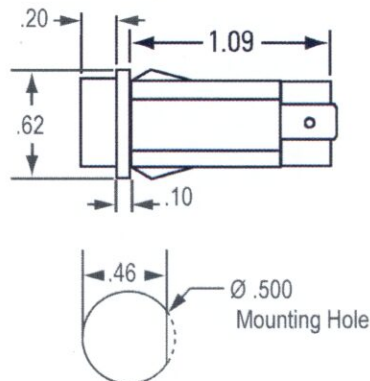
Specifications

- Body Material: Nylon
- Lens Material: Polycarbonate
- Bezel Material: Stainless steel or plated brass
- Terminals: .187 or .250 Tabs
- Panel Thickness: .030" to .093"
- Certifications: Contact Us

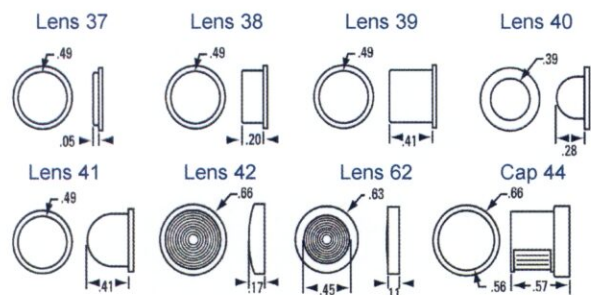
30 Series



30 with 38 lens



Series	Lamp			Termination		Base		Bezel		Lens				
XX	XX			X	X	X	XXX		X	0				
	Voltage	Type	Code	Style	Code	Color	Code	Finish	Code	Style	Code	Color	Plain	
30	2	LED	10	.187 Tabs	3	White	1	None	0	Cylinder Translucent ¹	371	Red	1	
	6	LED	11	.250 Tabs	4	Black	2	Stainless	1	Cylinder Diamond	373	Amber	2	
	14	LED	12					Bright	2	Cylinder Rings	376	Clear ²	3	
	28	LED	13					Black	3	Cylinder Translucent ¹	381	Green	4	
	6	INCAND	32							Cylinder Diamond	383	Blue	5	
	14	INCAND	35							Cylinder Rings	386	White	6	
	28	INCAND	39							Cylinder Translucent ¹	391			
											Cylinder Diamond	393		
	125	NEON	50								Cylinder Rings	396	Color	Marked
	250	NEON	52								Small Dome Translucent ¹	401	Red	A
		Special	XX								Small Dome Lines	405	Amber	B
											Small Dome Translucent ¹	411	Clear ²	C
											Large Dome Lines	415	Green	D
											Large Dome Translucent ¹	421	Blue	E
										Semi Dome Translucent ^{1,3}	426	White	F	
										Semi Dome Rings ³	441			
										Flush Lens w/Tapered Bezel ⁴	444			
										Cap, Black (F1C) Translucent ^{1,3}				
										Cap, Black (F1C) Transparent ³				



White is Translucent
Clear is Transparent

Additional Options Available:
Contact Factory

1. Translucent Lens is not recommended for use with LED
2. Specify LED Color
3. Bezel not available
4. Bright Bezel only, use code 2