

# MT8 *QUAD POD*

## PARTS LIST & INSTALLATION INSTRUCTION MANUAL 2022



# **TABLE OF CONTENTS**

<b>SECTION 1: VISUAL BREAKDOWN.....</b>	<b>3</b>
<b>SECTION 2: COMPONENTS .....</b>	<b>4</b>
<b>SECTION 3: HARDWARE.....</b>	<b>4</b>
<b>SECTION 4: INSTALLATION INSTRUCTIONS .....</b>	<b>5,6</b>
<b>SECTION 5: MANUFACTURER’S WARRANTY .....</b>	<b>10</b>

## **IMPORTANT INFORMATION**

The location of the frame is critical when dealing with windy environments. A site visit by a local installer or manufacturer representative is critical in order to protect your investments.

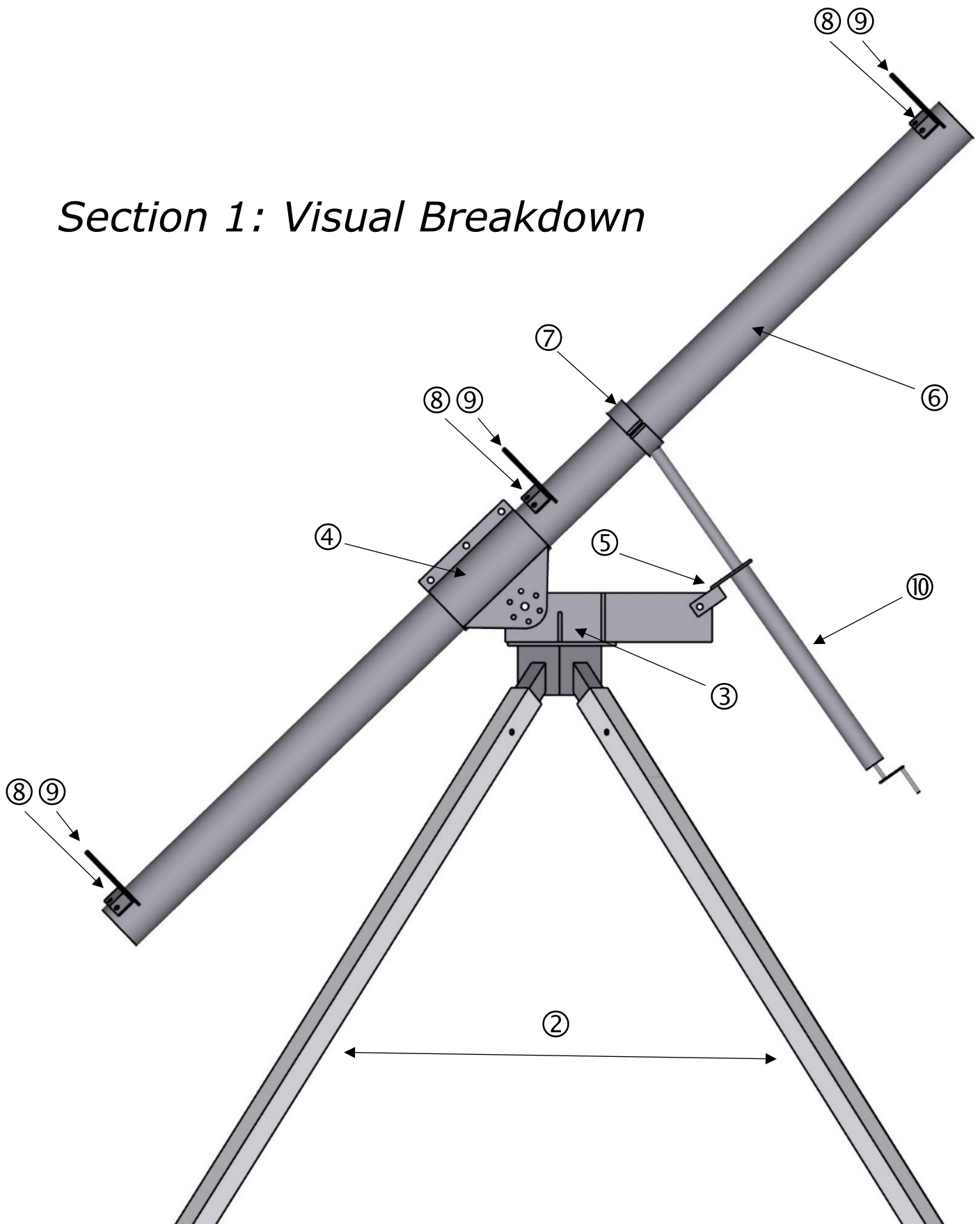
These frames can withstand wind gusts of up to 80 KM/H, however they cannot sustain with a constant wind speed of 80 KM/H+.

**IF YOU ARE PLANNING TO INSTALL THIS PRODUCT IN A OPEN PRAIRIE SETTING OR LAKEFRONT COTTAGE PROPERTY IT IS CRITICAL TO COLLECT HISTORIC WIND SPEED DATA FOR YOUR AREA TO ENSURE WIND SPEEDS DO NOT HAVE A HISTORY OF EXCEEDING OUR MANUFACTURER SPEC OF 80KM/H. INSTALLING THIS PRODUCT WITHOUT FOLLOWING MANUFACTURER RECOMMENDATIONS MAY AFFECT YOUR WARRANTY COVERAGE AND WILL BE CONSIDERED AS “INSTALLED AT OWN RISK”.**

If installed in a public setting fencing is required. Please check your local by-laws for requirements in your area.

Some hardware will come pre-assembled on the units and may or may not be included in the hardware breakdown.

*Section 1: Visual Breakdown*



## Section 2: Components

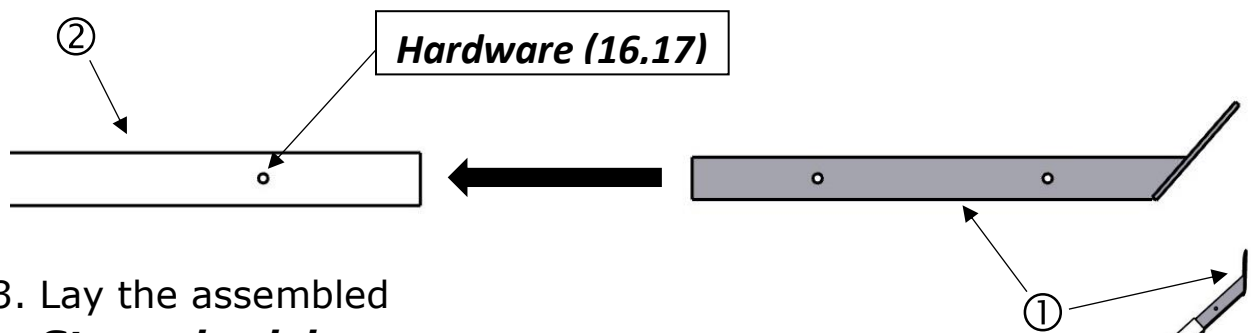
ITEM NO.	PART NUMBER	DESCRIPTION	QTY.
1	L017	FOOT WELDMENT	4
2	L020	LEG -ALUMINUM	4
3	SB08	STRONGBACK LEG ADAPTOR	1
4	WM004-1	TRIANGULAR CLAMP	1
5	JP001	JACKPLATE	1
6	WF001	WING FRAME TUBE	1
7	JC001	JACK-CLAMP ASSEMBLY	1
8	WM003-2	WING MOUNT WELDMONT	3
9	AF004	WING FRAME (PAIR)	3
10	JC002	SIDE-WIND JACK	1

## Section 3: Hardware

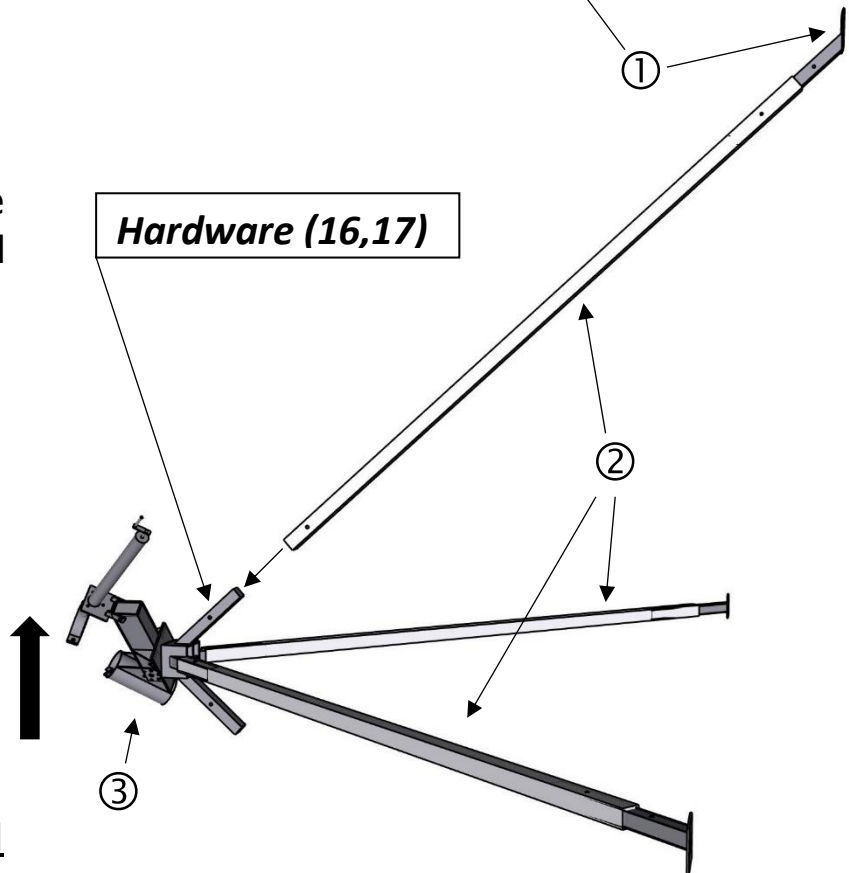
11	HW001	SAE GR.8 7/16"-14UNC NYLOCK HEX NUT, ZINC PLATED	13
12	HW002	SAE GR.8 7/16"-14UNC X 1" LONG HEX BOLT, ZINC PLATED	12
13	HW003	SAE GR.8 7/16"-14UNC X 4" LONG HEX BOLT, ZINC PLATED	1
14	HW004	SAE GR.8 3/8" -16UNC X 2" LONG JACKING CAP SCREW	2
15	HW005	SAE GR.8 1/2"-13UNC X 2" LONG HEX BOLT, ZINC PLATED	3
16	HW006	SAE GR.8 1/2"-13UNC NYLOCK	23
17	HW007	SAE GR.8 1/2"-13UNC X 3" LONG HECK BOLTS, ZINC PLATED	8
18	HW008	SAE GR.8 1/2" FLAT WASHER, ZINC PLATED	24
19	HW009	SAE GR.8 1/2"-13UNC x 1-1/4" LONG HEX BOLT, ZINC PLATED	12
20	HW010	SAE GR.8 3/4" SPLIT LOCK WASHER, ZINC PLATED	1
21	HW011	SAE GR.8 3/4"-10UNC HEX NYLOCK	1
22	HW012	SAE GR.8 3/4"-10UNC X 5.00 LONG HEX BOLT, ZINC PLATED	1

## Section 4: Installation Instructions

1. Unpack and lay out all components on the ground. Prepare the hardware with the correct wrenches and sockets needed.
2. Connect the **Foot weldments (1)** to the **Aluminum legs (2)** complete all 4 units with hardware **(16,17)**. Torque the bolts to **64ft-LBS**.



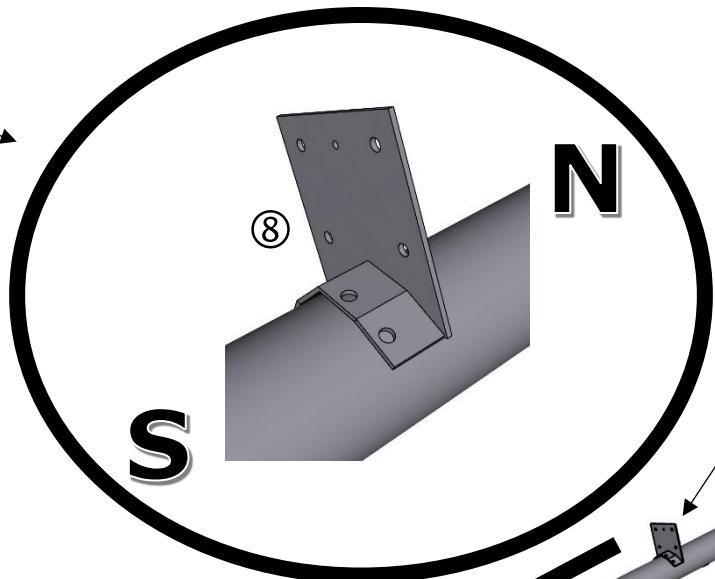
3. Lay the assembled **Strong back leg adaptor (3)** on its side, insert 3 of the assembled legs and install the **Hardware (16,17)**. Lift the unit up and install the fourth leg and torque all the bolts to **64ft-lbs**.



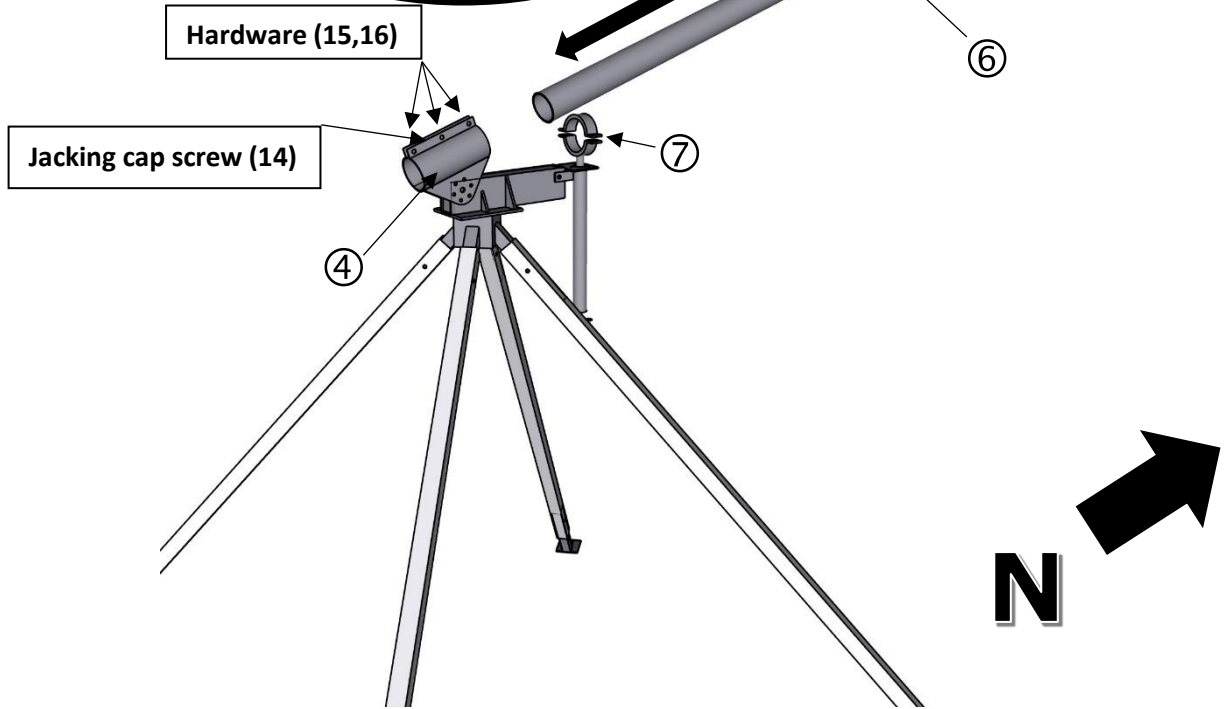
4. Set the assembled structure on the **Engineered base or pads approved for your location's environmental requirements**. Anchor the 4 points and torque to manufacturer recommended specifications.

5. Insert the **Wing frame tube (6)** into the **Triangular clamp (4)** to its predetermined location, the center **Wing mount weldment (8)** will come factory installed and torqued. Make sure to install in the direction matching to the one shown below (**Figure A**). Once in the correct location, slack off the **Jacking cap screws (14)** to hold the **Wing frame tube (6)** in place. Check for level on the top of the **Wing frame weldment (8)**, once plumb you can torque **Hardware (15,16)** to **64ft-lbs**.

Figure A

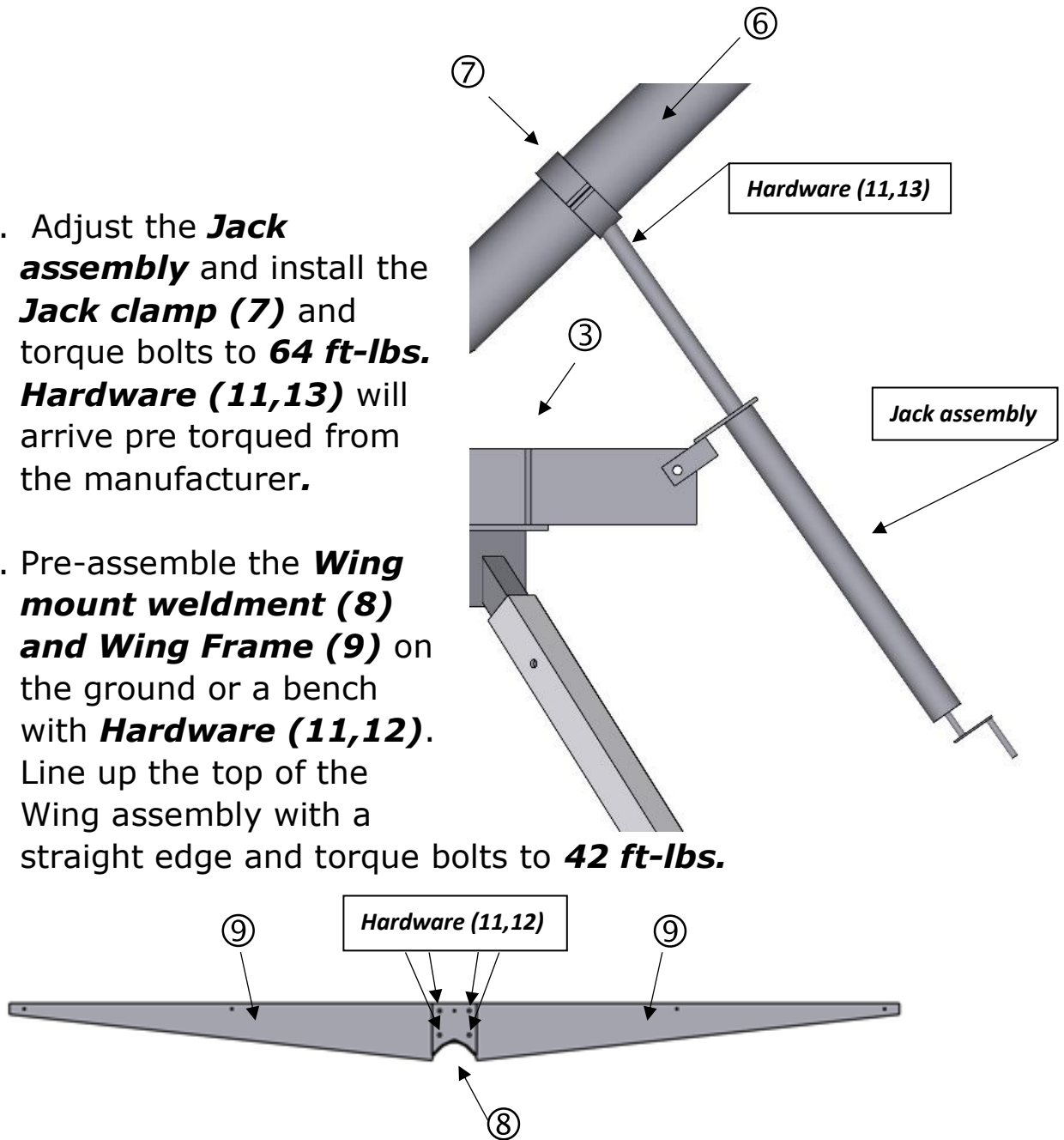


**NOTE: DO NOT TORQUE HARDWARE (15,16) WITHOUT COMPLETELY SLACKING OFF THE JACKING CAP SCREWS (14). FAILURE TO DO SO MAY RESTRICT THE TRIANGULAR CLAMP (4) FROM CORRECTLY SECURING THE WING FRAME TUBE (6)**



6. Adjust the **Jack assembly** and install the **Jack clamp (7)** and torque bolts to **64 ft-lbs. Hardware (11,13)** will arrive pre torqued from the manufacturer.

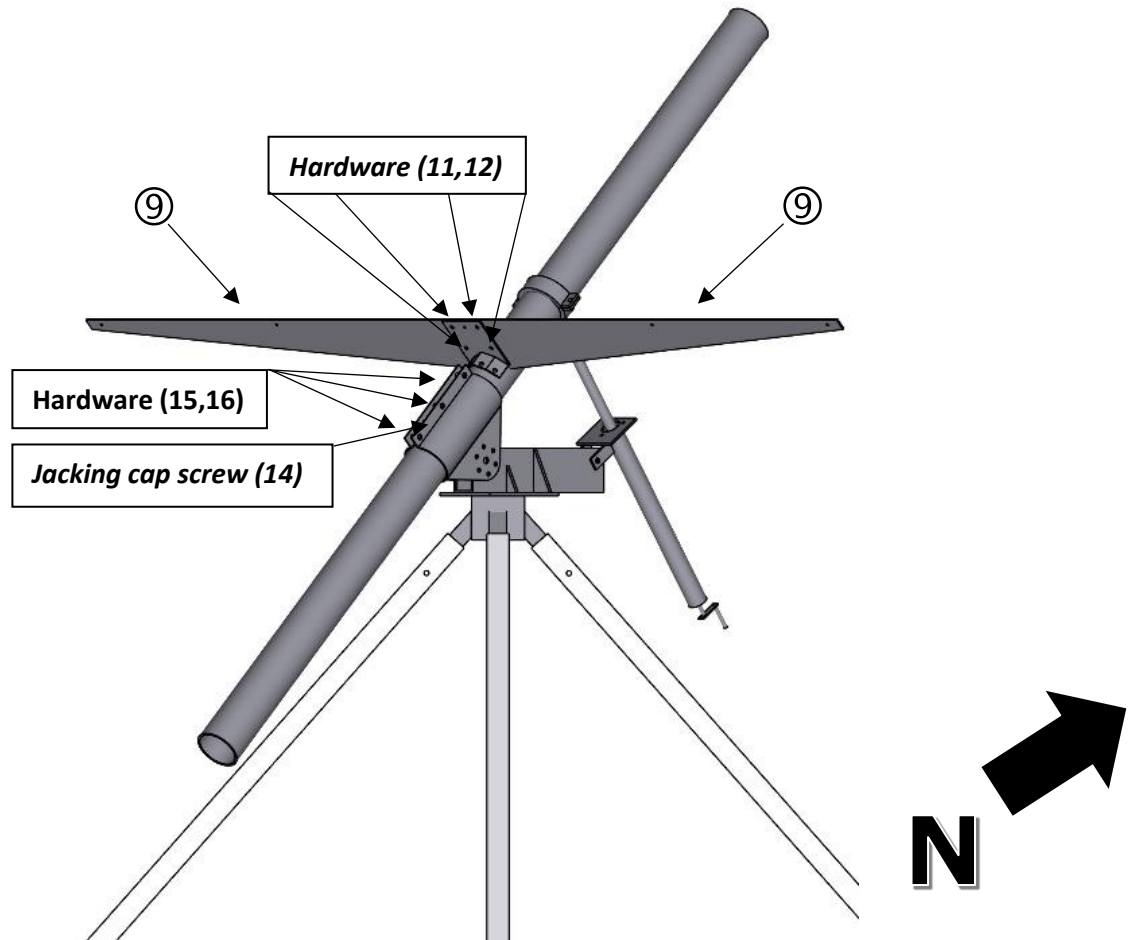
7. Pre-assemble the **Wing mount weldment (8)** and **Wing Frame (9)** on the ground or a bench with **Hardware (11,12)**. Line up the top of the Wing assembly with a straight edge and torque bolts to **42 ft-lbs.**



**NOTE: THE KINETIC RAIL CAN BE INSTALLED AT THIS TIME AS IT IS THE PREFERRED METHOD.**

**NOTE: MAKE SURE SQUARE NUT ARE PROPERLY SET INSIDE THE RAIL IN ORDER TO PREVENT FAILURE.**

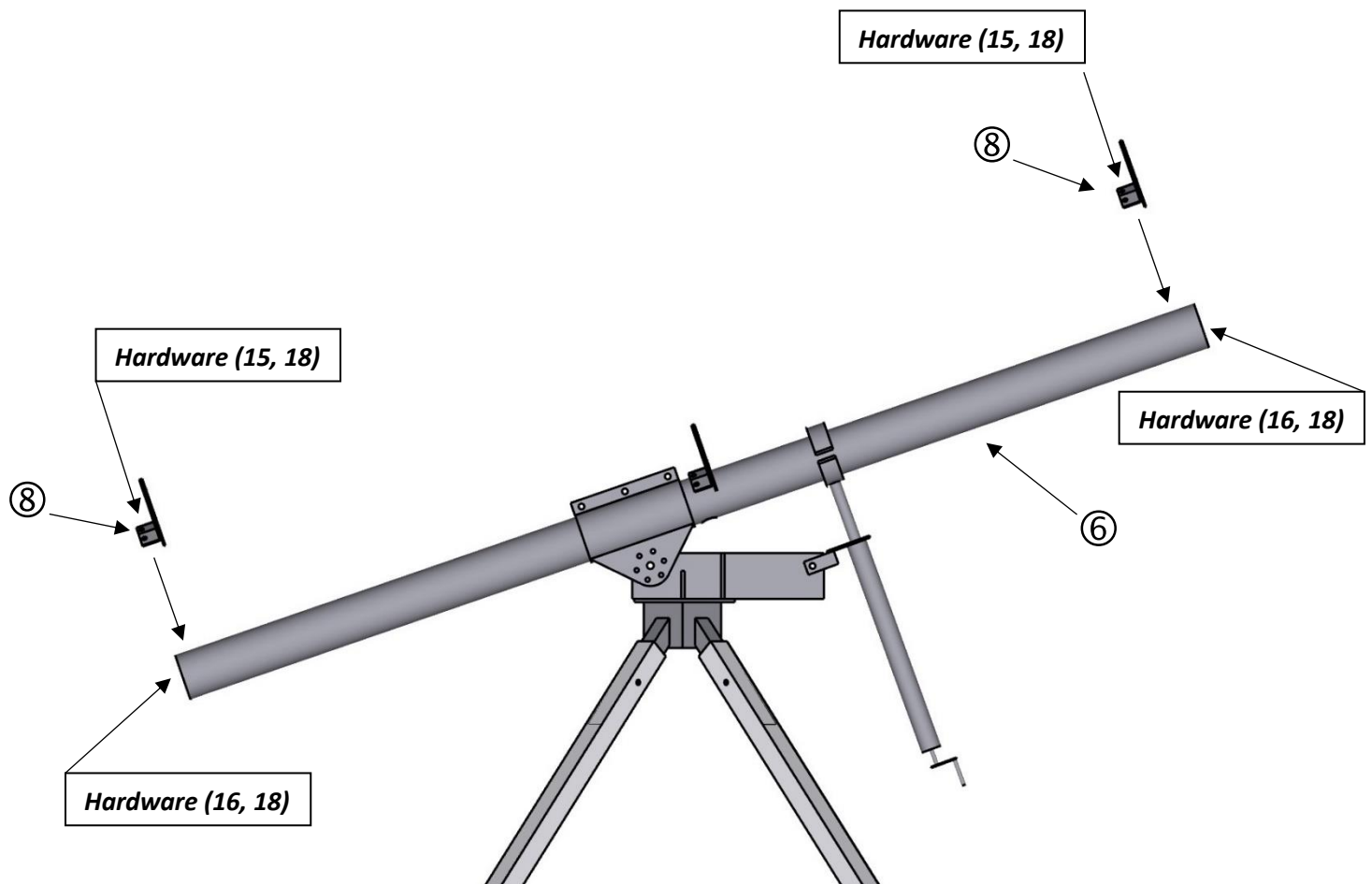
8. Install the center **Wing frames (9)** to the **Wing frame weldments (8)**, with **Hardware (11,12)** place a straight edge on top and torque bolts to **42 ft-lbs.**



**NOTE: ADJUST THE WING FRAME TUBE (6) TO A HORIZONTAL POSITION WITH THE JACK TO INSTALL TOP (NORTH) WING ASSEMBLY.**



9. Install the remaining 2 Wing Assemblies with **Hardware (15, 16, 18)**. Once the wings are plumb, torque the bolts to **64 ft-lbs**. Make sure the hardware has a washer on both sides of the bolt, **1x inside the Wing frame tube (6)** and **1x on top of the Wing frame weldment (8)**. Always do a final check and make sure all wing assemblies are level with each other and adjust if necessary.



## ***Section 5: Manufacturer's Warranty***

### **Installer/User Responsibilities**

The installer is solely responsible for:

Complying with all applicable local or national building codes, including any that may supersede this manual.

Ensuring that Benjamin Mechanical Inc products and other products are appropriate for the installation and the installation environment.

Using only Benjamin Mechanical Inc parts and installer-supplied parts as specified by Benjamin Mechanical Inc. Substitution parts may void the limited warranty.

Ensuring correct and appropriate design parameters are used in determining the design loading used for the specific installation. Parameters, such as snow loading, wind speed, exposure and topographic factors should be confirmed with the local building official or an engineer.

### **Warranty Information**

Benjamin Mechanical Inc warrants each Mounting Structure to be free from defects in materials and workmanship for 1 year from the date of the first purchase ("Warranty Period"), when installed properly and used for the purpose for which it is designed, except for the finish, which shall be free from visible peeling, or cracking or chalking under normal atmospheric conditions for a period of 1 year, from the earliest of 1) the date of installation of the Product is completed, or 2) 30 days after the purchase of the Product by the original Purchaser ("Finish Warranty"). The Finish Warranty does not apply to any chemical or harsh substance deposited on the finish.

Galvanized coated sheet steel components will show rust on cut edges and is normal and will not affect the structure and function of the mount.

The warranty covers the replacement cost of parts to repair the product to proper working condition. Transportation and incidental costs associated with the warranty items are not reimbursable. The warranty does not include normal wear or damage resulting from misuse, abuse, improper installation, negligence, or accident, or sizing errors of the concrete base that will receive the poles or quad pods. The Purchaser must or installer must validate the sizing of the concrete base by an expert or engineer. The warranty does not cover any defect that has not been reported in writing to Benjamin Mechanical Inc within 10 days after discovery of such defect. Furthermore, it does not cover units that have been altered, modified or repaired without authorization from the manufacturer or its representative, or units used in a manner or for a purpose other than that specified by the manufacturer. The warranty will be void if a modification has been made to one or more of the solar support components. Benjamin Mechanical's entire liability and Purchaser's exclusive remedy, whether in contract, tort or otherwise, for any claim related to or arising out of the warranty covering the Mounting Structures shall be correction of defects by repair, replacement or credit, at Benjamin Mechanical's discretion. Refurbished Mounting Structures may be used to repair or replace the Mounting Structures.

Benjamin Mechanical Inc shall not be held liable for any injuries or damages to persons or property resulting from any cause, whatsoever, or any claims or demands brought against Benjamin Mechanical Inc. arising from the improper installation of the Mounting Structures and/or failure to comply with the instructions set out in the Benjamin Mechanical Inc. manual and this warranty by the Purchaser, any employee of Purchaser, client of Purchaser or end-user of the Product or other party. This provision applies to all materials provided by Benjamin Mechanical Inc during and after the Warranty Period.

