

MT1 *Post Mount*

PARTS LIST & INSTALLATION INSTRUCTION MANUAL 2024



TABLE OF CONTENTS

SECTION 1: VISUAL BREAKDOWN.....	3
SECTION 2: COMPONENTS	4
SECTION 3: HARDWARE.....	4
SECTION 4: INSTALLATION INSTRUCTIONS	5,9
SECTION 5: MANUFACTURER’S WARRANTY	9,11

IMPORTANT INFORMATION

The location of the frame is critical when dealing with windy environments. A site visit by a local installer or manufacturer representative is critical in order to protect your investments.

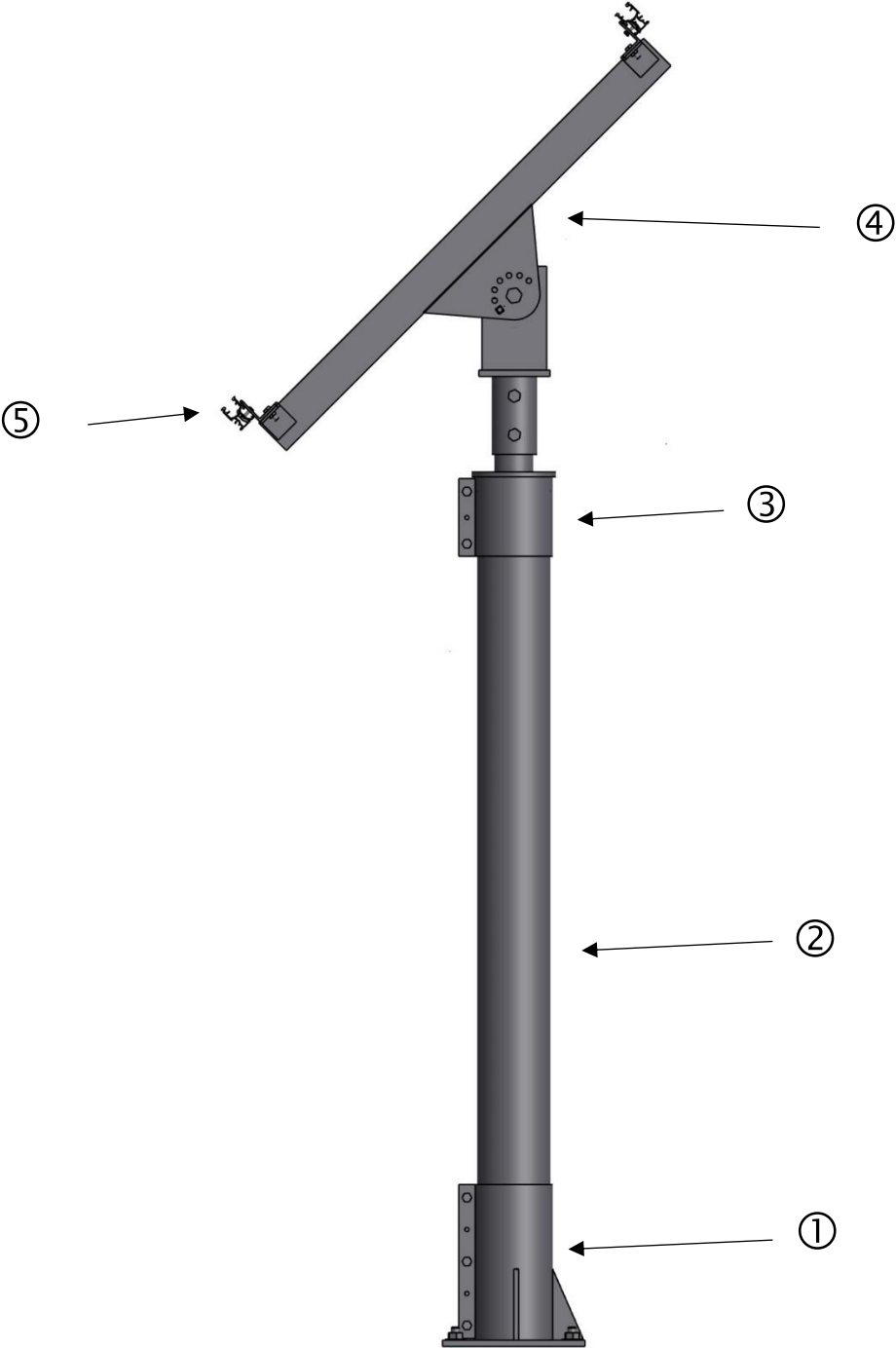
These frames can withstand wind gusts of up to 80 KM/H, however they cannot sustain with a constant wind speed of 80 KM/H+.

IF YOU ARE PLANNING TO INSTALL THIS PRODUCT IN A OPEN PRAIRIE SETTING OR LAKEFRONT COTTAGE PROPERTY IT IS CRITICAL TO COLLECT HISTORIC WIND SPEED DATA FOR YOUR AREA TO ENSURE WIND SPEEDS DO NOT HAVE A HISTORY OF EXCEEDING OUR MANUFACTURER SPEC OF 80KM/H. INSTALLING THIS PRODUCT WITHOUT FOLLOWING MANUFACTURER RECOMMENDATIONS MAY AFFECT YOUR WARRANTY COVERAGE AND WILL BE CONSIDERED AS “INSTALLED AT OWN RISK”.

If installed in a public setting fencing is required. Please check your local by-laws for requirements in your area.

Some hardware will come pre-assembled on the units and may or may not be included in the hardware breakdown.

Section 1: Visual Breakdown



Section 2: Components

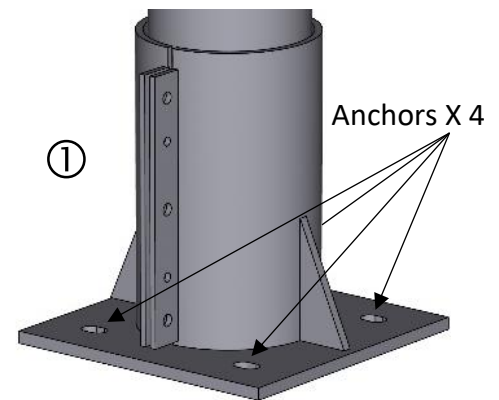
ITEM NO.	PART NUMBER	DESCRIPTION	QTY.
1	BS001	BASE PLATE	1
2	P001	POST	1
3	SBCA001	POST CLAMP ADDAPTOR	1
4	WM004-1	TILT MOUNT ASSEMBLY	1
5	KR001	KINETIC RAIL	2

Section 3: Hardware

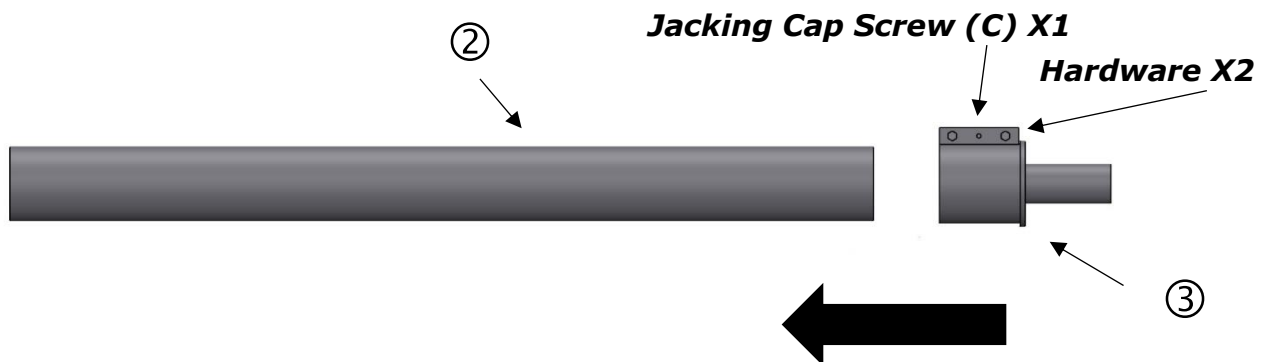
A	HW001	SAE GR.8 5/16"-14UNC NYLOCK HEX NUT, ZINC PLATED	4
B	HW002	SAE GR.8 5/16"-14UNC X 1" LONG HEX BOLT, ZINC PLATED	4
C	HW003	SAE GR.8 3/8" -16UNC X 2" LONG JACKING CAP SCREW	3
D	HW004	SAE GR.8 1/2"-13UNC X 1" LONG SET SCREW, ZINC PLATED	8
E	KLB001	KINETIC (L) BRACKET	4
F	KSN001	KINETIC STUD WITH NUT	4

Section 4: Installation Instructions

1. Unpack and lay out all components on the ground. Prepare the hardware with the correct wrenches and sockets needed.
2. Install the **Base plate (1)** on the Engineer approved base and insert 4x Epoxy anchors, ensure base is level before torquing bolts to the manufacturer's recommendations.
(Anchors not included with purchase)



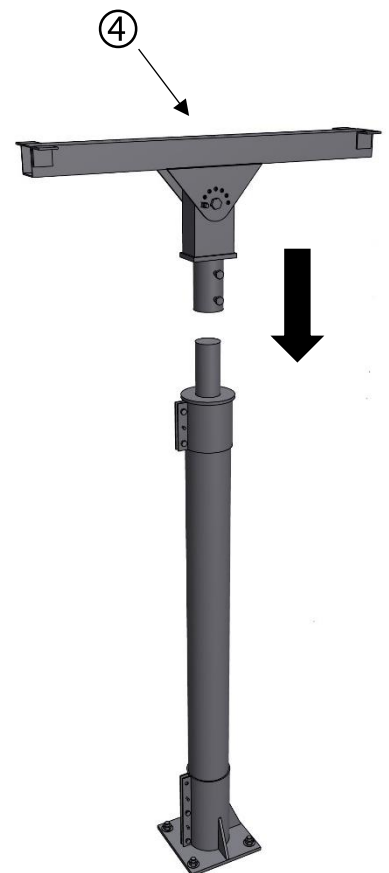
3. Lay down the **Post (2)** and insert the **Post Clamp Adaptor (3)**. The adaptor will be spread open from factory with a **Jacking cap screw (C)**. Once Adaptor is in place, slack off Jacking cap screw and torque the Hardware.



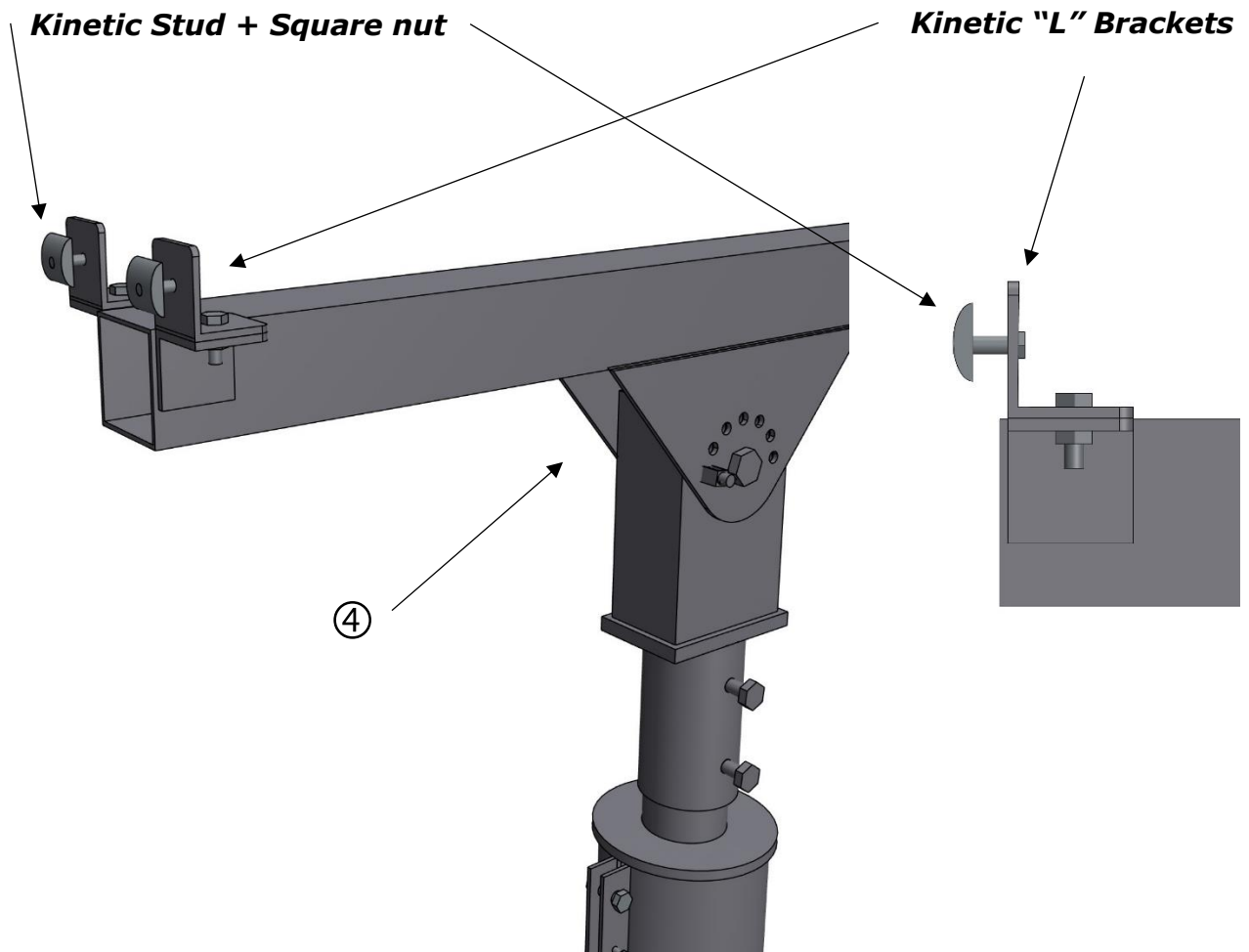
4. Raise the Post/Adaptor vertical and guide it into the anchored **Base (1)**. The base will be spread open from factory with **Jacking cap screws**. Once in place, remove the Jacking cap screws and torque the Hardware. Check post with level & adjust.



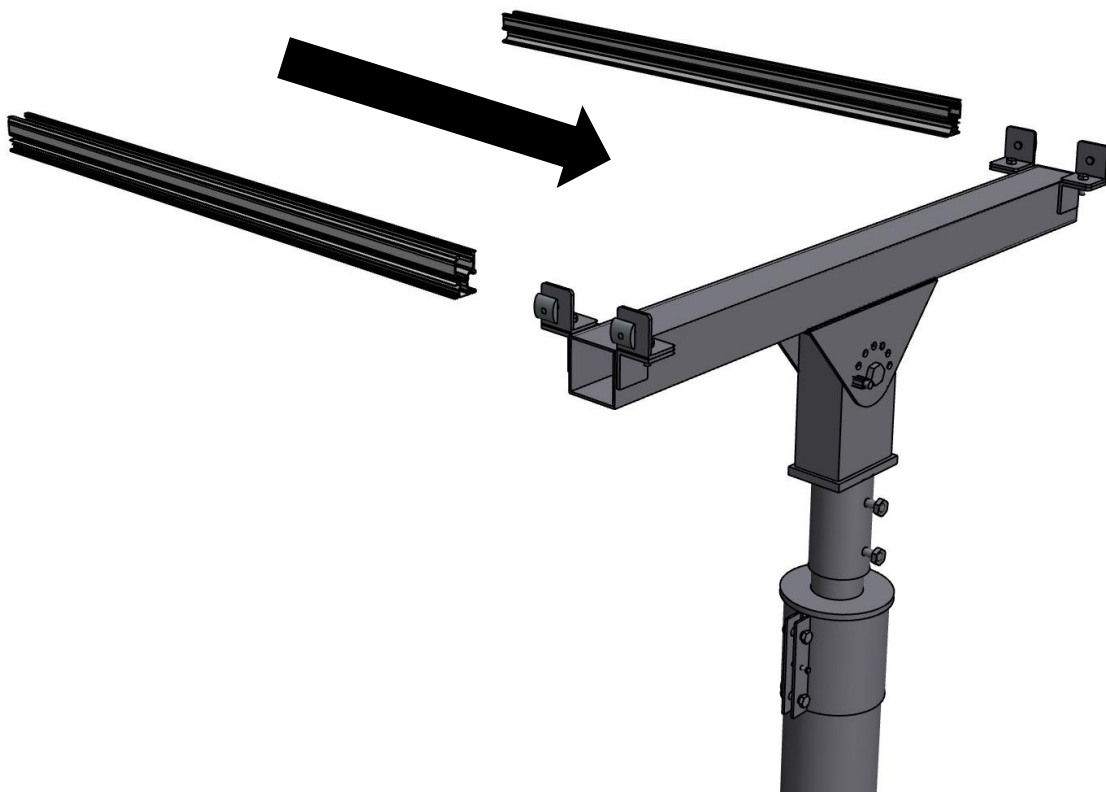
5. Place the **Tilt Mount Assembly (4)** Onto the **Post adaptor (3)** in the horizontal position. The set screws can be torqued later on when the panels are installed and the unit is pointing in the correct direction.



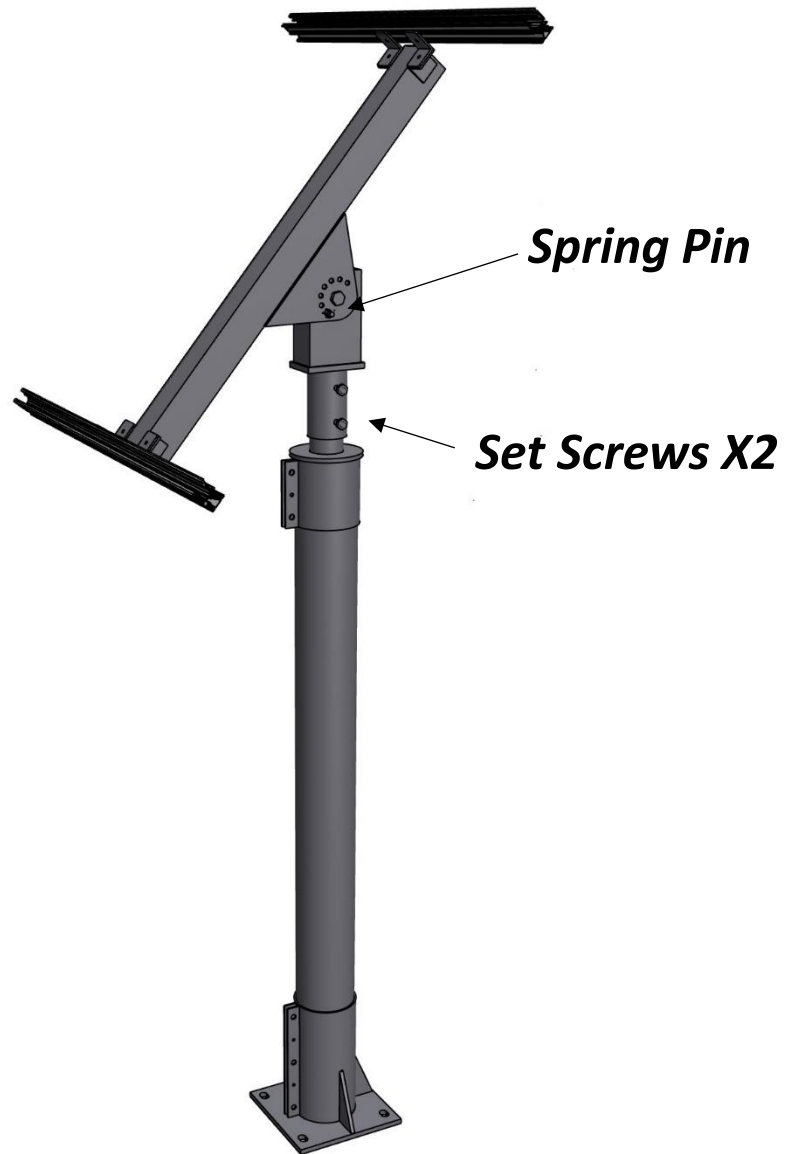
6. Install Kinetic "L" Brackets with ***Kinetic Stud + Square nuts*** onto the Angle iron tabs at each end of the ***Tilt Mount Assembly (4)***. Make sure the square nuts are loose and aimed outwards on both ends.



7. Insert the Kinetic Rails into the square nuts and slide them into the center of the **Tilt mount assembly (4)** and torque Hardware.



8. Now that the unit is complete, pull the **Spring pin** and tilt the unit to the desired seasonal angle and torque the **Set Screws**. Installation of the Solar modules can happen at this time.



Section 5: Manufacturer's Warranty

Installer/User Responsibilities

The installer is solely responsible for:

Complying with all applicable local or national building codes, including any that may supersede this manual.

Ensuring that Benjamin Mechanical Inc products and other products are appropriate for the installation and the installation environment.

Using only Benjamin Mechanical Inc parts and installer-supplied parts as specified by Benjamin Mechanical Inc. Substitution parts may void the limited warranty.

Ensuring correct and appropriate design parameters are used in determining the design loading used for the specific installation. Parameters, such as snow loading, wind speed, exposure and topographic factors should be confirmed with the local building official or an engineer.

Warranty Information

Benjamin Mechanical Inc warrants each Mounting Structure to be free from defects in materials and workmanship for 1 year from the date of the first purchase ("Warranty Period"), when installed properly and used for the purpose for which it is designed, except for the finish, which shall be free from visible peeling, or cracking or chalking under normal atmospheric conditions for a period of 1 year, from the earliest of 1) the date of installation of the Product is completed, or 2) 30 days after the purchase of the Product by the original Purchaser ("Finish Warranty"). The Finish Warranty does not apply to any chemical or harsh substance deposited on the finish.

Galvanized coated sheet steel components will show rust on cut edges and is normal and will not affect the structure and function of the mount.

The warranty covers the replacement cost of parts to repair the product to proper working condition. Transportation and incidental costs associated with the warranty items are not reimbursable. The warranty does not include normal wear or damage resulting from misuse, abuse, improper installation, negligence, or accident, or sizing errors of the concrete base that will receive the poles or quad pods. The Purchaser must or installer must validate the sizing of the concrete base by an expert or engineer. The warranty does not cover any defect that has not been reported in writing to Benjamin Mechanical Inc within 10 days after discovery of such defect. Furthermore, it does not cover units that have been altered, modified or repaired without authorization from the manufacturer or its representative, or units used in a manner or for a purpose other than that specified by the manufacturer. The warranty will be void if a modification has been made to one or more of the solar support components. Benjamin Mechanical's entire liability and Purchaser's exclusive remedy, whether in contract, tort or otherwise, for any claim related to or arising out of the warranty covering the Mounting Structures shall be correction of defects by repair, replacement or credit, at Benjamin Mechanical's discretion. Refurbished Mounting Structures may be used to repair or replace the Mounting Structures.

Benjamin Mechanical Inc shall not be held liable for any injuries or damages to persons or property resulting from any cause, whatsoever, or any claims or demands brought against Benjamin Mechanical Inc. arising from the improper installation of the Mounting Structures and/or failure to comply with the instructions set out in the Benjamin Mechanical Inc. manual and this warranty by the Purchaser, any employee of Purchaser, client of Purchaser or end-user of the Product or other party. This provision applies to all materials provided by Benjamin Mechanical Inc during and after the Warranty Period.

