

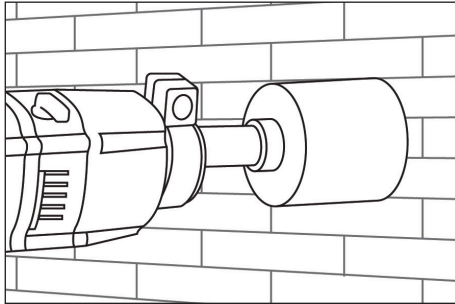
Fitting Instructions

Rytons LookRyt® AirCore® Range

RYTONS
THE HOME OF VENTILATION

A Family Business
Since 1972

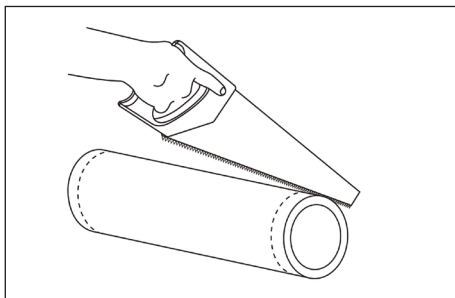
IMPORTANT: DO NOT clip the internal LookRyt panel to the backplate until the backplate is fixed to the wall.



1. To minimise cracking, drill a pilot hole and then core drill from both sides into the cavity.

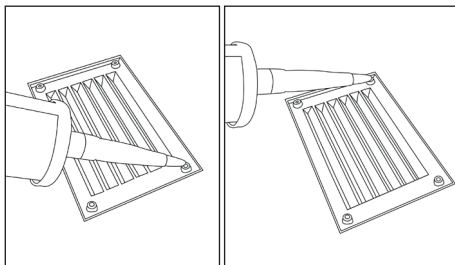
Use a 127mm dia. core drill for Rytons 127mm (5") LookRyt AirCore range.

Use a 78mm dia. core drill for Rytons Mini LookRyt AirCore.



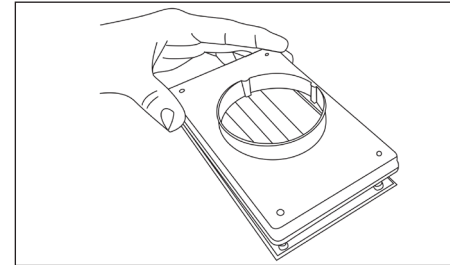
2. Measure the width of the wall.

3. If necessary, cut the tube to length. Reduce each end of the tube equally to ensure the external water baffle remains central. A maximum of 63mm may be cut from each end of a tube containing internal baffles.



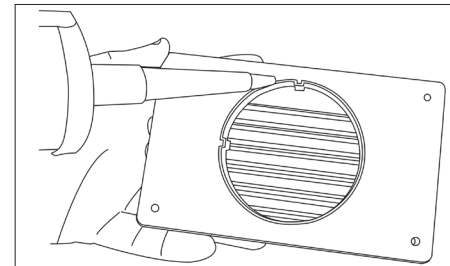
4. Insert the tube into the hole.

5. On the reverse side of the external louvre grille place a small dab of grab adhesive onto each of the corner screw holes.



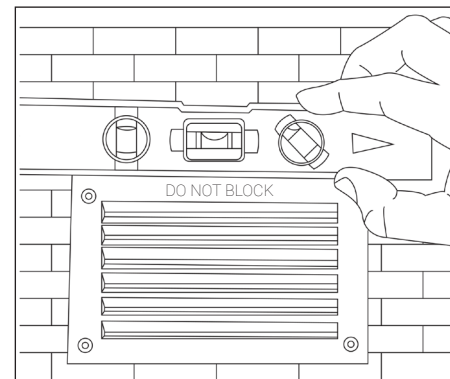
6. Fix the louvre backplate and the louvre grille together.

7. Place a thin bead of grab adhesive around the spigot of the backplate.

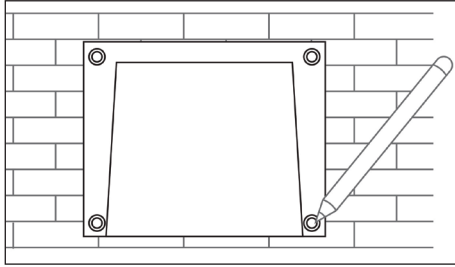


8. Insert the louvre grille and backplate assembly into the exterior end of the tube.

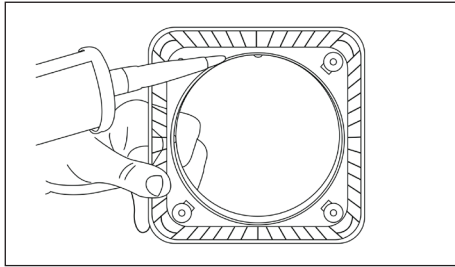
9. Level the grille before the grab adhesive sets.



Circular grille models: Place a thin bead of grab adhesive around the top ring of the circular grille and fit into the tube. Ensure the groove in the grille is aligned with the lug inside the tube. Insert the grille and tube assembly into the hole from inside the property.

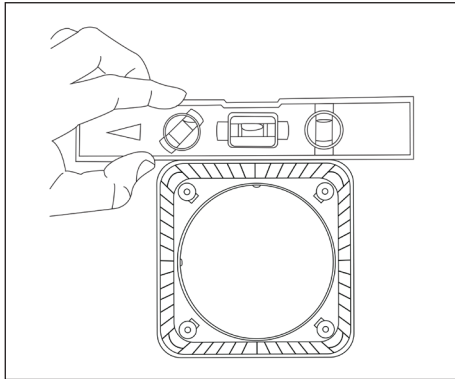


Cowled models: Screw the cowl to the brickwork through the pre-formed holes in the flange around the cowl. Fittings not supplied.



DO NOT clip the internal LookRyt panel to the backplate until the backplate is fixed to the wall.

10. Place a thin bead of grab adhesive around the spigot of the internal backplate (avoiding seepage into the screw holes).



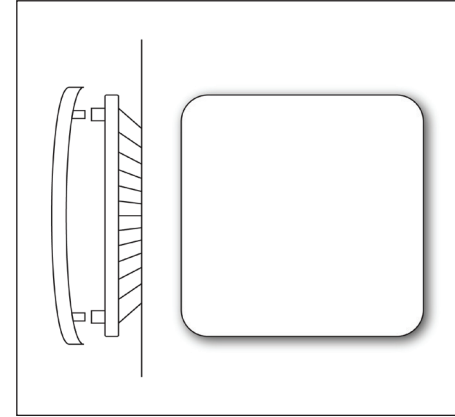
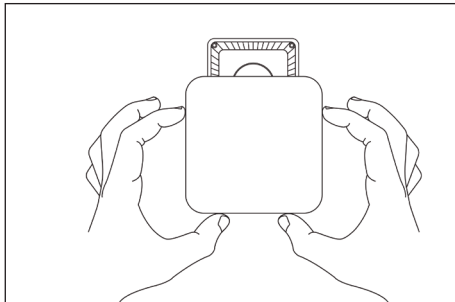
11. Insert the LookRyt backplate into the interior end of the tube.

12. Level the backplate before the grab adhesive sets.

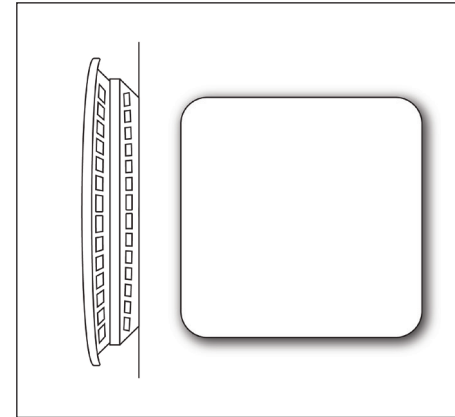
Alternatively, screw the backplate to the wall using the fixings provided.

13. When the adhesive is **completely set** and the backplate is secure, align the LookRyt panel with the backplate and push fit into position.

14. If desired, paint or wallpaper the LookRyt panel to match room décor.



Rytons fixed open LookRyt panel is for the provision of combustion air to boilers, stoves and fires.



Rytons controllable LookRyt panel is for the provision of background room ventilation.

The panel is manually adjusted with an easy push/pull or tilt action allowing air to be controlled as required.