

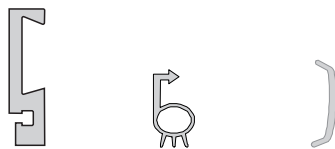
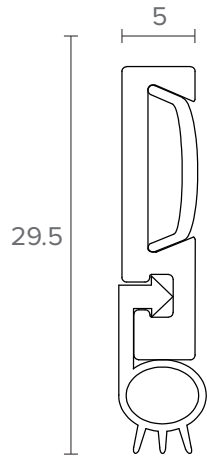
NOR755 Fitting Instructions

Tools



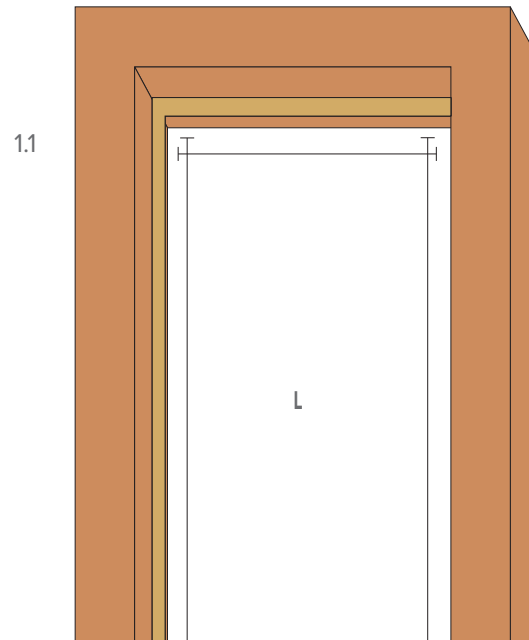
Included:
1 x NOR755 Holder
1 x Silicone seal
2 x Cover cap
Fixing screws

All dimensions in mm



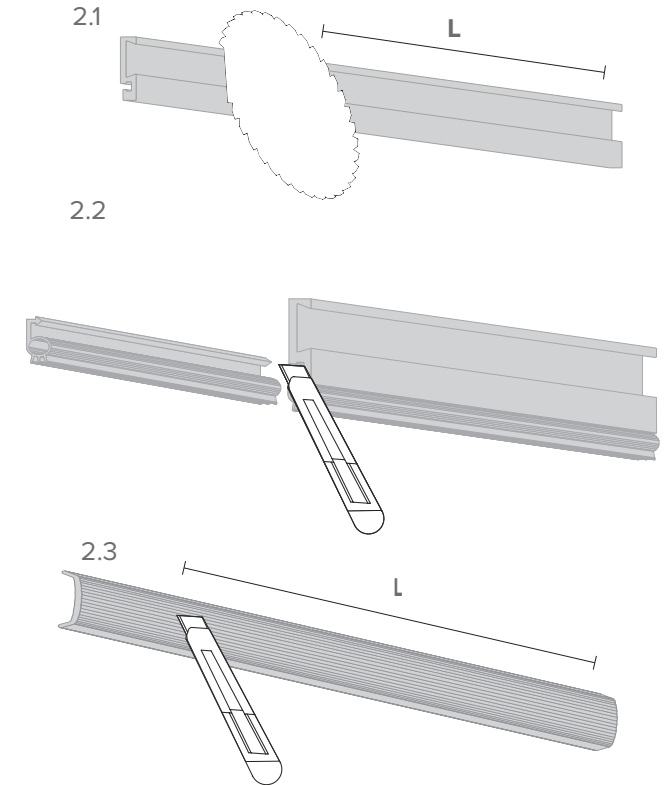
Length mm	Code
1000mm	NOR755-1000
2100mm	NOR755-2100

1



1.1 Measure height of both jamb stops and door head and accurately mark aluminium holder

2

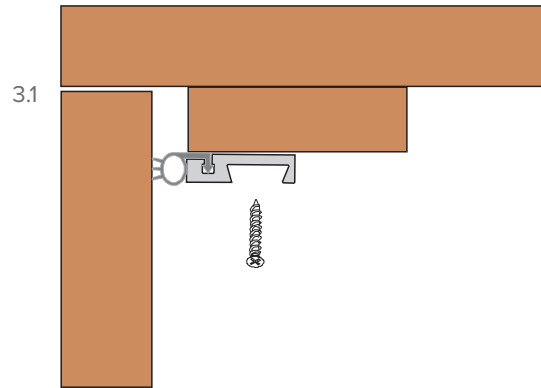


2.1 Machine cut aluminium holder making sure an accurate cut is made.

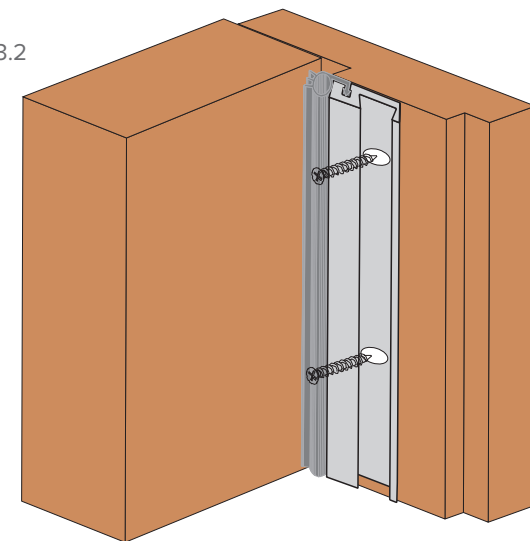
2.2 Place silicone seal into the holder and cut to length using a sharp knife.

2.3 Cut cover cap to required length.

3



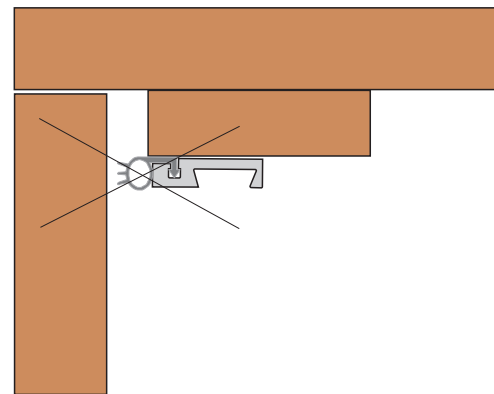
3.1



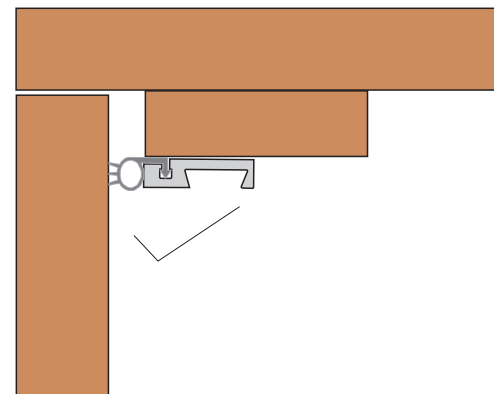
3.1 With the door closed. Position the seal at the head of the door first. The seal should just rest against the door lightly. Screw into the centre of the elongated holes of the holder so adjustment can be made if needed.

3.2 Repeat process to both door jambs.

4

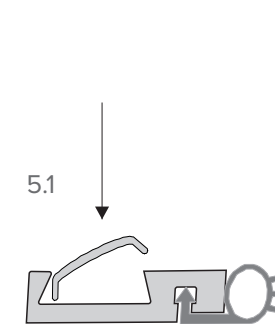


4.1

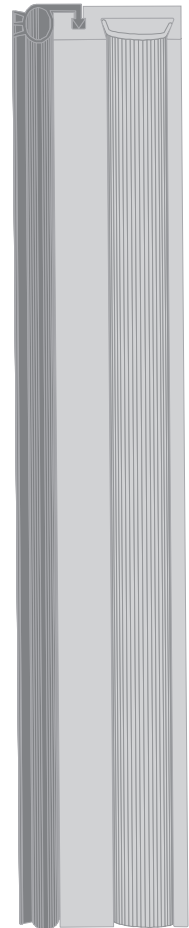


4.1 Test the door for correct fitment by inserting a sheet of paper between the door and the door seal. Shut the door and adjust the seal to ensure a consistent seal all around the door. Note the door should firmly hold the sheet of paper

5



5.1



5.1 Once installed correctly, fit the cover cap over the screws by inserting one end first then the other.