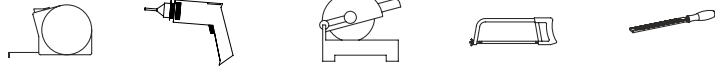
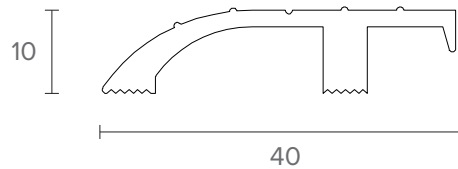


Tools

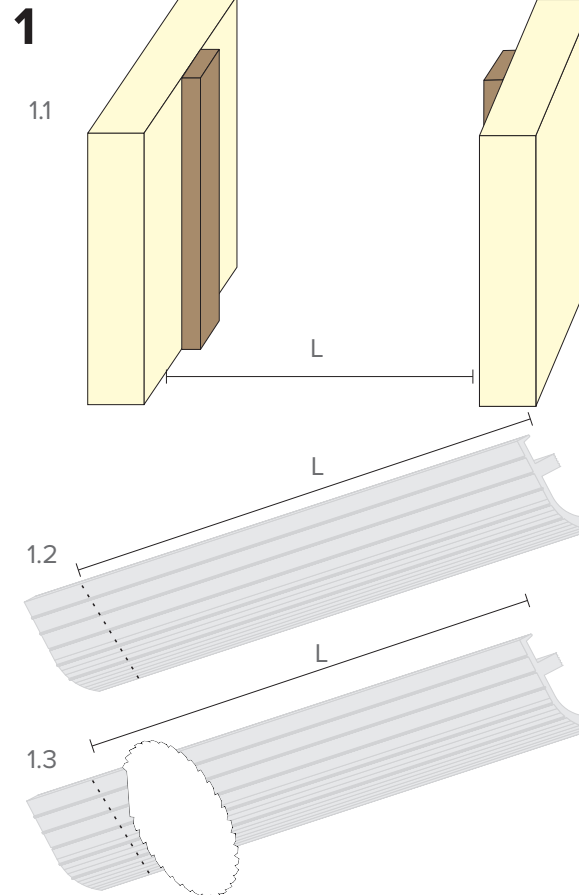


Included:
1 x NOR 695
Screws and plugs

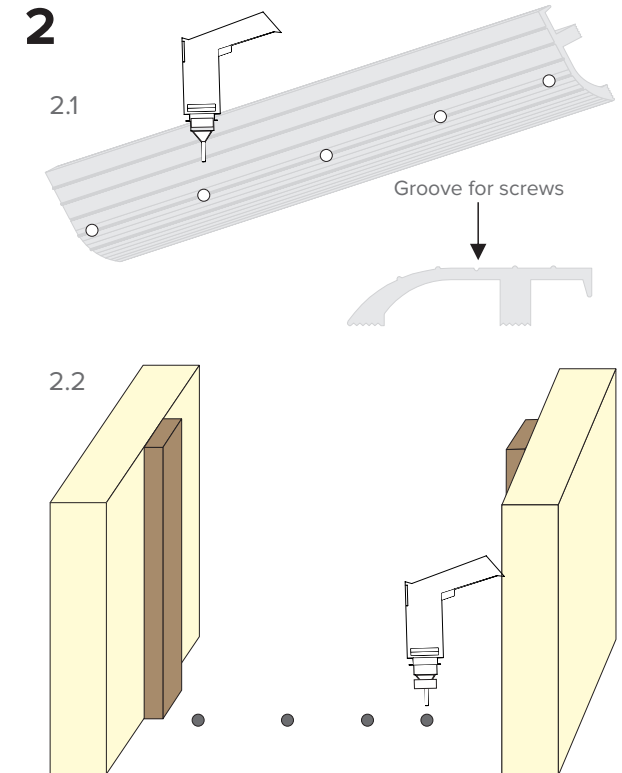
All dimensions in mm



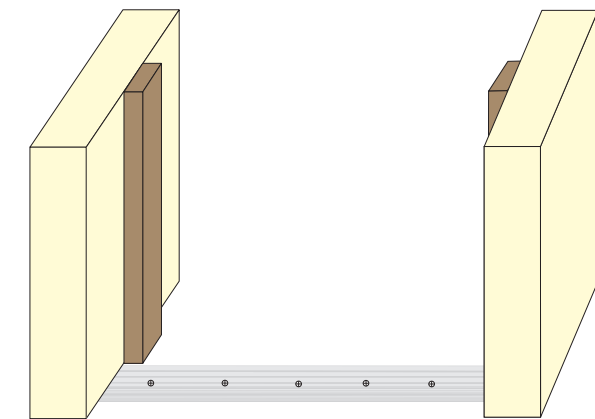
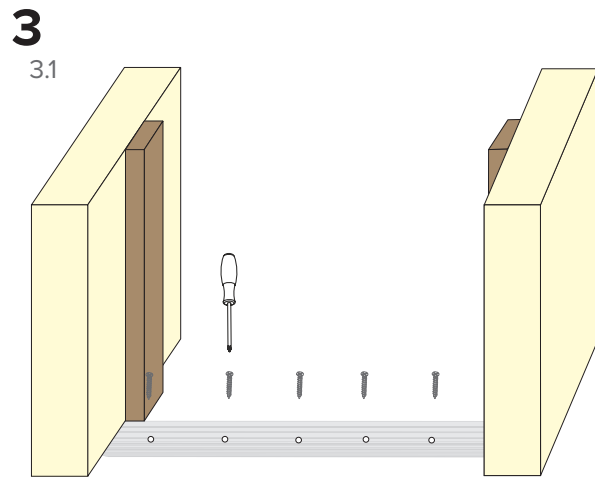
Length	Order Code
1000mm	NOR695-1000
2100mm	NOR695-2100



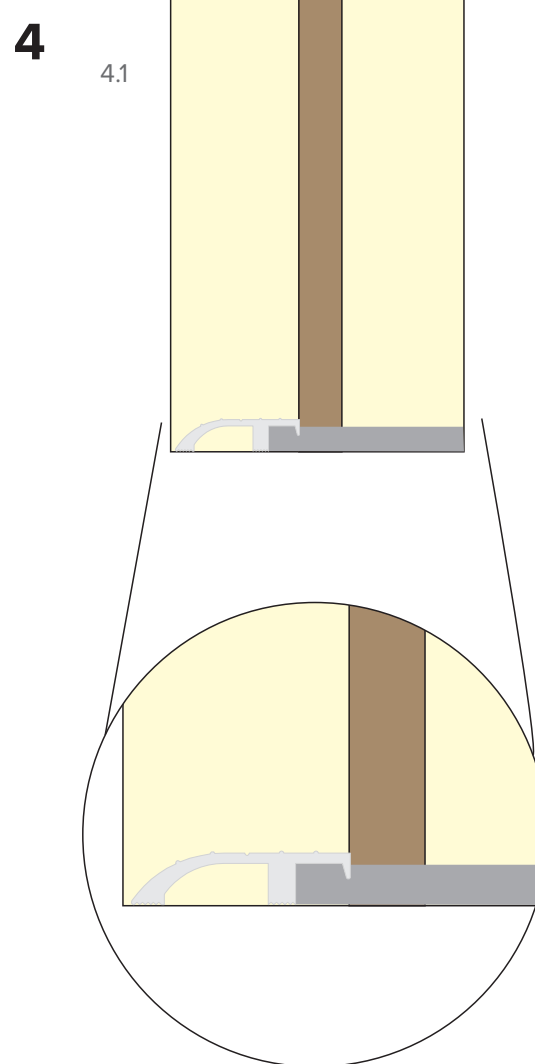
- 1.1** Measure the between door jambs (L)
- 1.2** Measure the threshold plate and accurately mark for cutting,
- 1.3** Machine cut the threshold plate to required length.



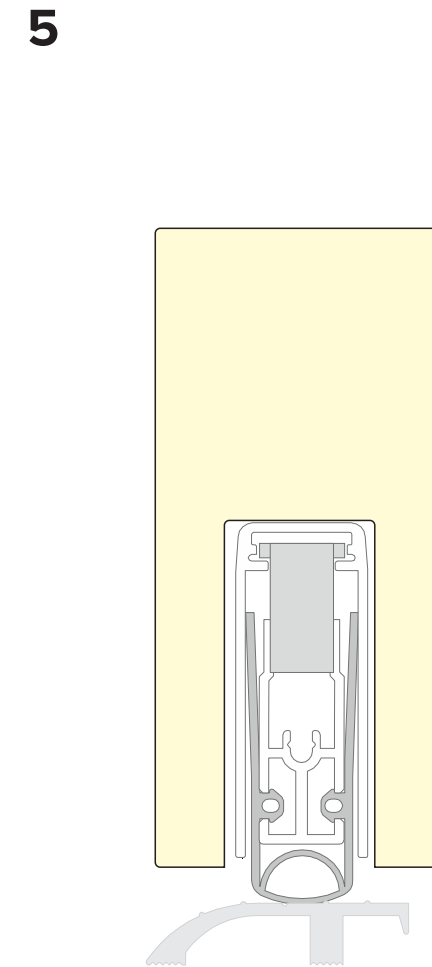
- 2.1** To screw fix. Firstly using a 4mm drill bit, drill holes 200mm apart along the threshold plate in the groove guide provided ensuring to countersink each hole.
- 2.2** If fixing to a concrete floor, place threshold in position and mark floor through holes in threshold plate, remove threshold and drill floor using 6mm masonry drill bit.



3.1 Place threshold in position and using the screws and plugs provided screw the threshold into place ensuring the screws are flush with the threshold.



4.1 Ensure that carpet fits under rear of threshold plate



For copy fitting instructions visit norsound.com/fitting