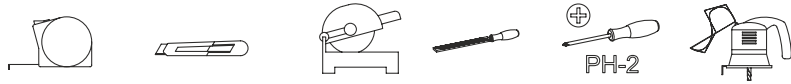
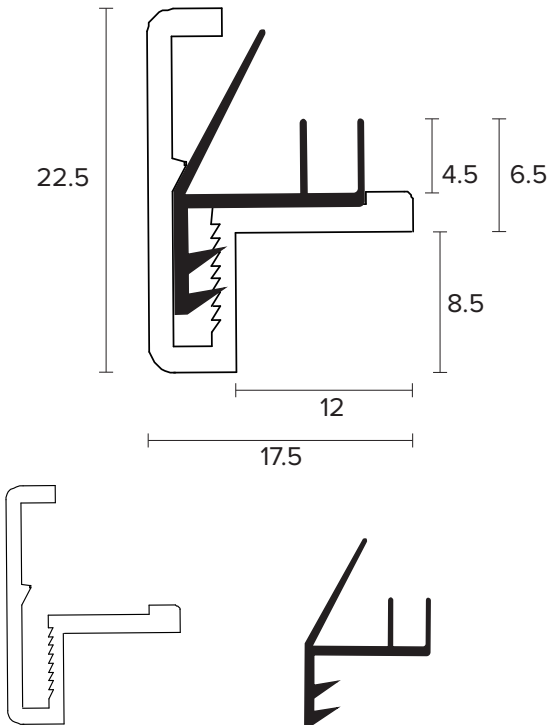


Tools



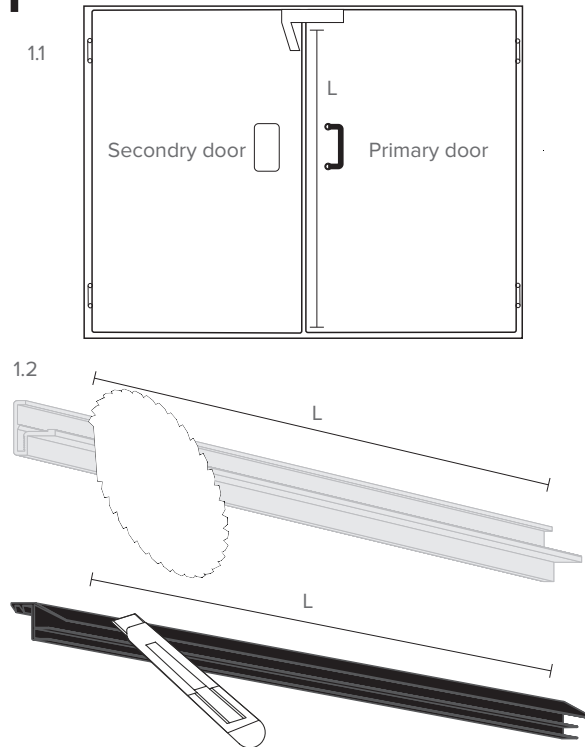
Included:  
1 x NOR510 Holder  
1 x NOR 515 seal  
Fixing screws

All dimensions in mm



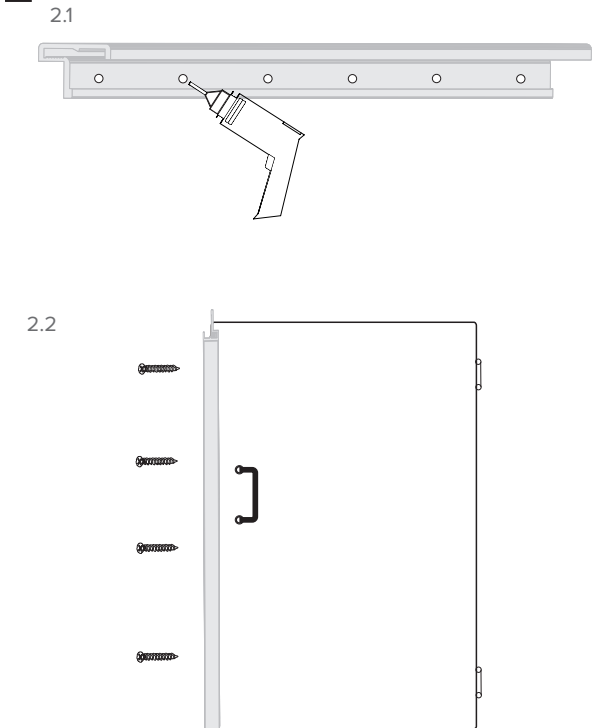
Length	Order Code
2100	NOR510

## 1



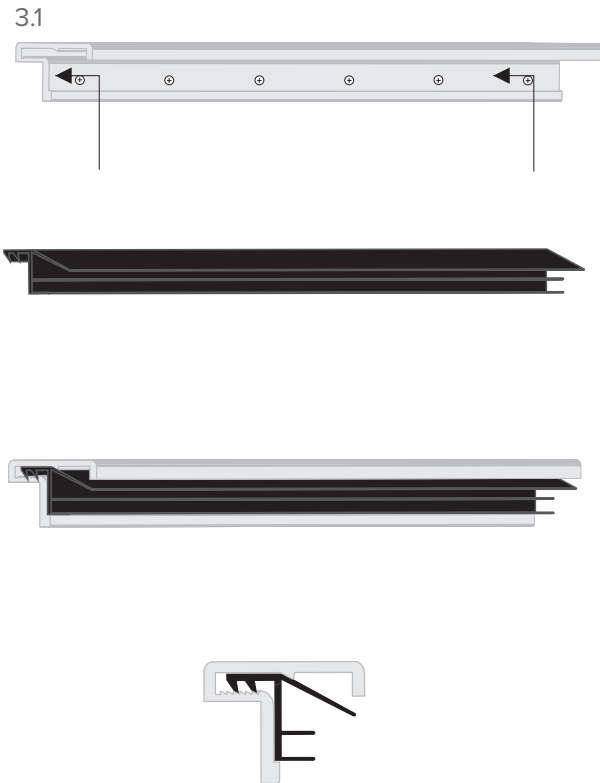
- 1.1** Measure the height of the meeting stile (L)
- 1.2** Cut holder to required length and file off any rough edges.
- 1.3** Cut the insert to required length using a sharp knife.

## 2



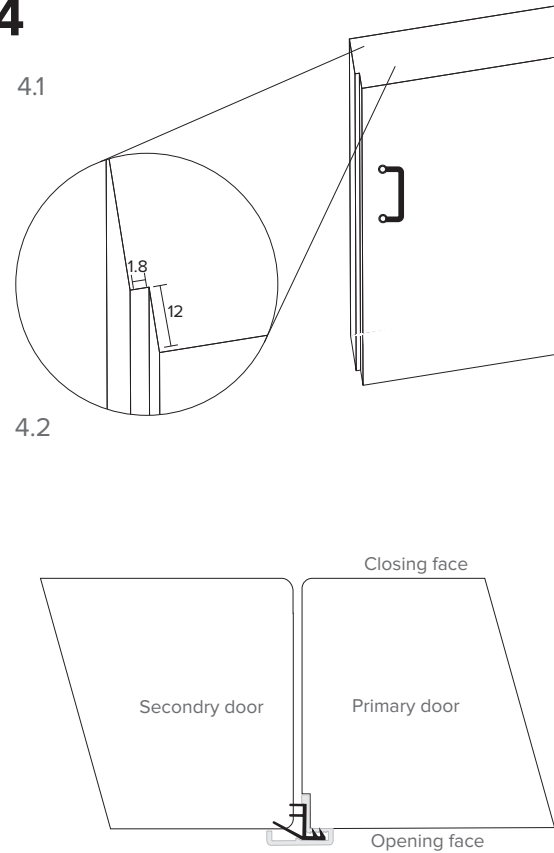
- 2.1** Using a 4mm drill bit, drill holes every 200mm, ensuring to countersink each hole.
- 2.2** Screw fix the aluminium holder to the primary door using the screws provided ensuring screw heads are flush with the holder.

### 3



**3.1** Place the gasket into the holder, push firmly along the whole length of the insert ensuring its firmly in place.

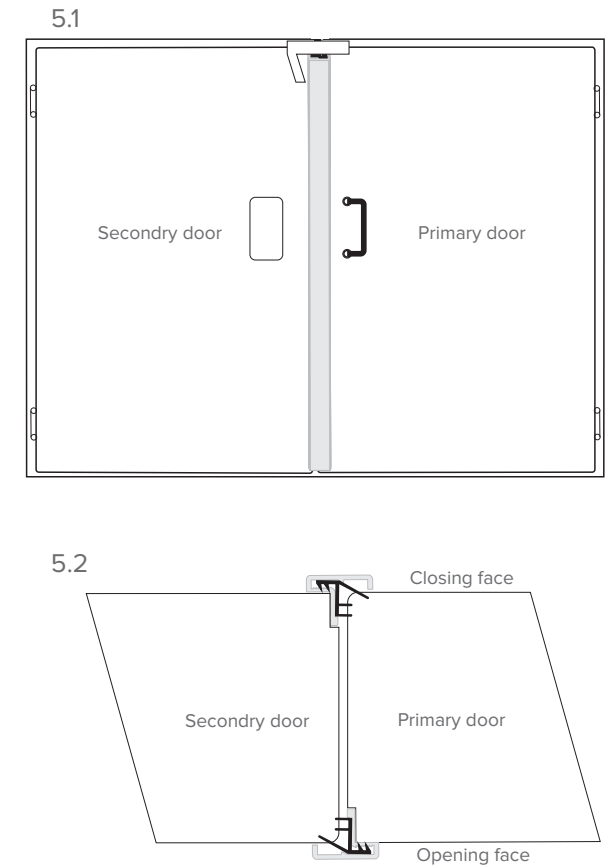
### 4



**4.1** If a rebated fix is required, remove the primary door from the hinges, using a router rebate a 12mm x 1.8mm deep groove along the door.

**4.2** replace the door then proceed to follow step 2.2.  
NOTE Use of a door selector is required to ensure the doors closes fully.

### 5



**5.1** The double doorset must be fitted with a door selector to ensure the doors fully close.

**5.2** The NOR510 can also be fitted to both sides of a double doorset.