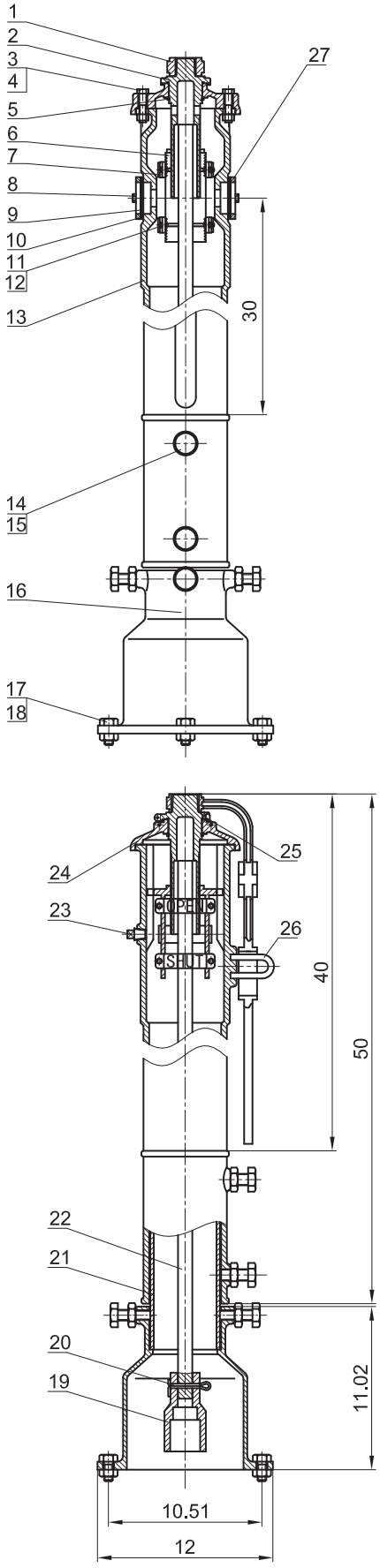


INDICATOR POST - UNDERGROUND TYPE



No	Name	Material
1	Locking wrench	ASTM A126B
2	Operating nut	ASTM B62
3	Hex cap screw	ASTM A105
4	Hex nut	ASTM A105
5	Snap ring	AISI 066
6	Target carrier nut	ASTM B62
7	Target	ASTM B108
8	Hex cap screw	ASTM A105
9	Window glass	LEXAN-UN
10	Window glass gasket	PTFE
11	Hex cap screw	ASTM A105
12	Hex nut	ASTM A105
13	Body	ASTM A536
14	Hex cap screw	ASTM A105
15	Hex nut	ASTM A105
16	Base flange	ASTM A126B
17	Hex cap screw	ASTM A105
18	Hex nut	ASTM A105
19	Crane coupling	ASTM A536
20	Cotter pin	AISI 304
21	Stand pipe	ASTM A53
22	Stem	AISI 1045
23	Plug	AIS 304
24	Cover	ASTM A126B
25	Cross recessed countersunk head screw	ASTM 304
26	Locking nose	ASTM 307 B
27	Window cover	ASTM A307B