

MATERIAL SPECIFICATION



SW55 Series

Body: Ductile Iron, ASTM A536 Gr. 65-45-12

Cover: Ductile Iron, ASTM A536 Gr. 65-45-12

Body/Cover Coating: Epoxy resin fusion bonded

Seat: Bronze, ASTM B62

Clapper: EPDM Coated Ductile Iron, ASTM A536 Gr. 65-45-12

Clapper Arm: Ductile Iron, ASTM A536 Gr. 65-45-12

Screw, Plug, Bolt, Washer, Pin: Galvanized Carbon Steel Surface Passivation

Housing: Cast Iron, ASTM A126 Gr. B

SW56 Series

Body: Ductile Iron, ASTM A536 Gr. 65-45-12

Body Coating: Epoxy resin fusion bonded

Seat: Aluminum Bronze, ASTM B148 C95400

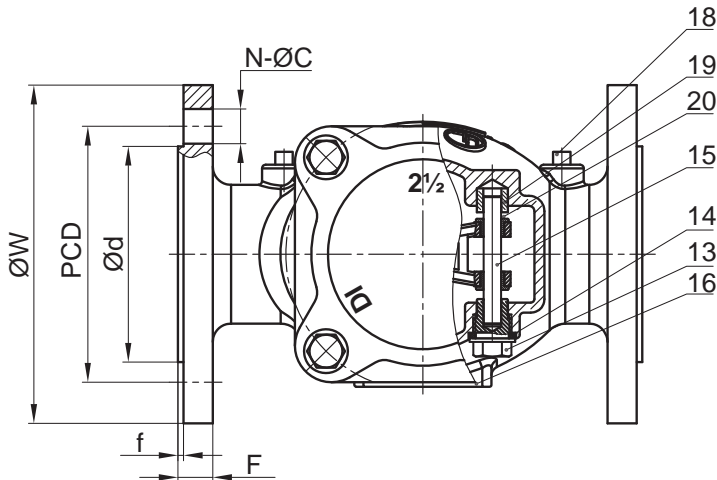
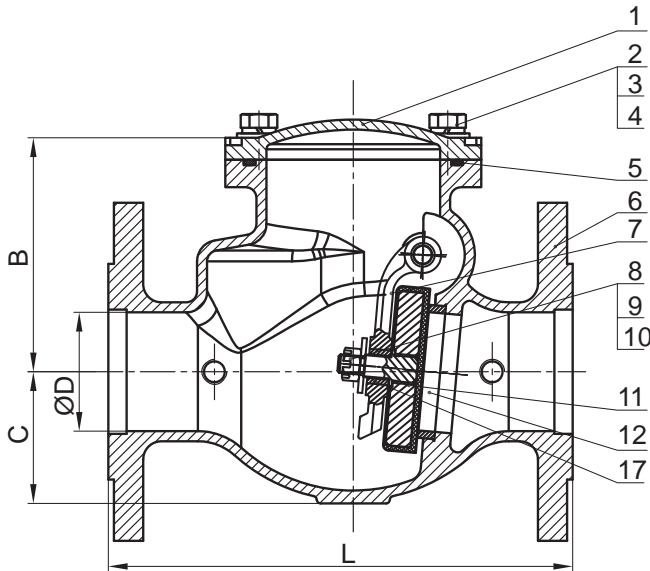
Clapper: Stainless Steel, ASTM A276 SS304

Clamping Ring: Stainless Steel, ASTM A276 SS304

Plug, Bolt: Carbon Steel, ASTM A29 1045

Spring, Disc Bolt, Locknut: Stainless Steel, ASTM A276 SS304

**SWING CHECK VALVE 2"-3"
300PSI ANSI 125/150 FLANGE END**

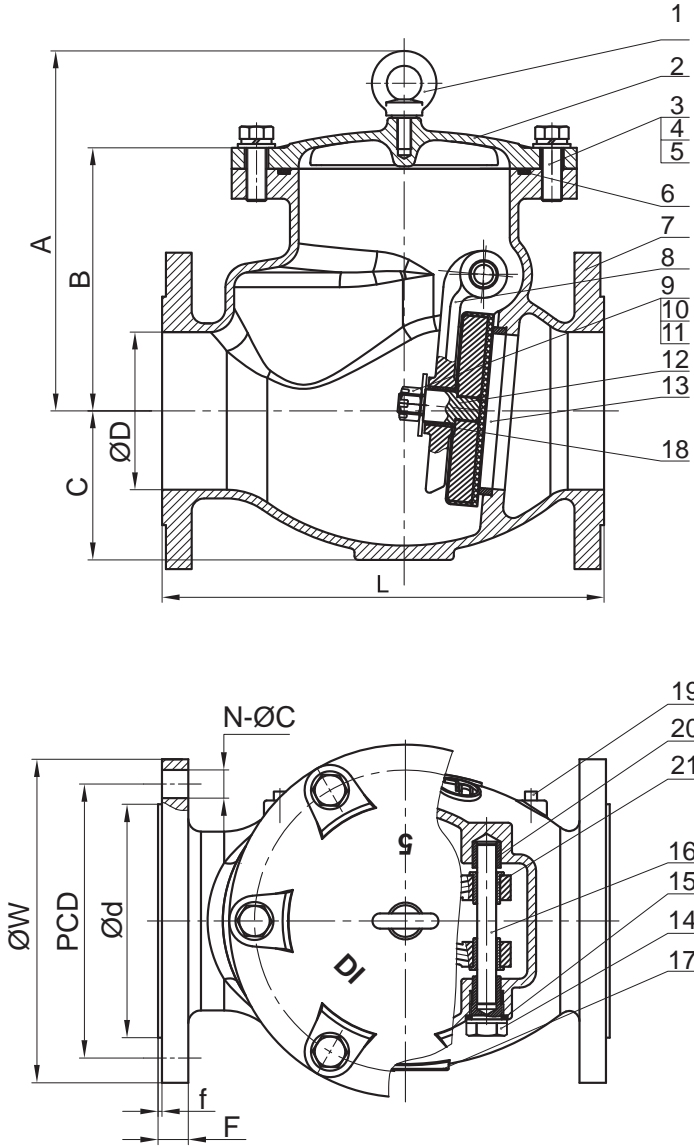


No	Name	Material
1	Cover	DI
2	Hexagon head bolts	GR.8.8
3	Washer	C.S
4	Spring Washer	65Mn
5	O-Ring	EPDM
6	Body	DI
7	Rocker	DI
8	Hexagonal slot thin nut	SS304
9	Washer	SS304
10	Split pin	SS304
11	Disc	SS304+Q235+EPDM
12	Seat	C84400
13	Shaft hole plug	SS304
14	Plug the gasket	EPDM
15	Radial spindle	SS304
16	Scutcheon	SS304
17	Swing arm sleeve	C63000
18	Plug	SS304
19	Acle hole sleeve	C63000
20	Shaft sleeve	C63000

Pressure Rating: 300PSI

DN	INCH	B	C	ØD	L	ØW	F	ASME B16.42 CLASS150			
								PCD	N-ØC	Ød	f
50	2"	4.61	2.60	1.97	7.99	6.50	0.75	4.75	4-0.75	3.63	0.08
65	2.5"	5.04	2.83	2.56	10.00	7.28	0.75	5.50	4-0.75	4.13	0.08
80	3"	5.22	3.35	3.23	10.98	7.87	0.75	6.00	4-0.75	5.00	0.08

SWING CHECK VALVE 4"-12" 300 PSI ANSI 125/150 FLANGE END

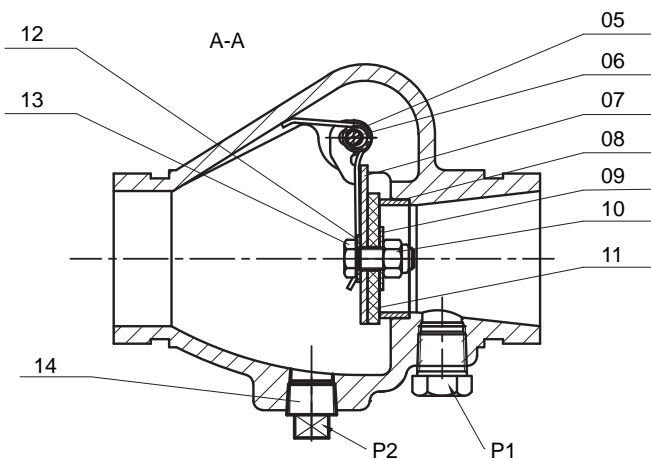
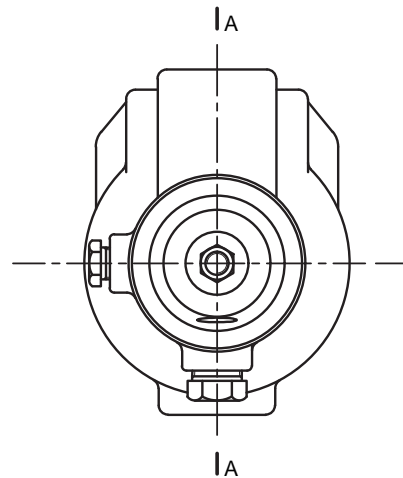
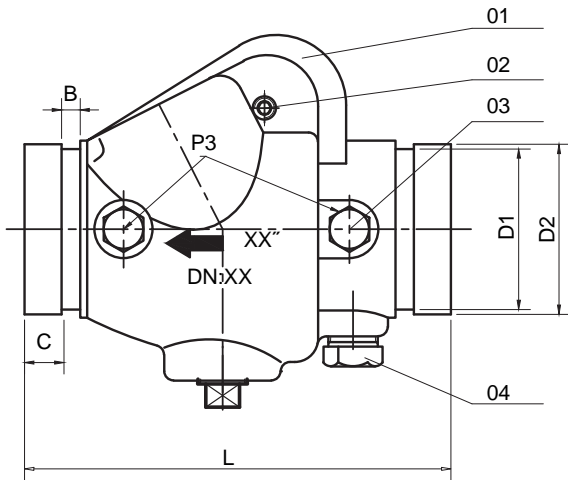


No	Name	Material
1	Lifting bolt	C.S
2	Cover	DI
3	Hexagon head bolts	GR.8.8
4	Washer	C.S
5	Spring Washer	65Mn
6	O-Ring	EPDM
7	Body	DI
8	Rocker	DI
9	Hexagonal slot thin nut	SS304
10	Washer	SS304
11	Split pin	SS304
12	Disc	SS304+Q235+EPDM
13	Seat	C84400
14	Shaft hole plug	SS304
15	Plug the gasket	EPDM
16	Radial spindle	SS304
17	Scutcheon	SS304
18	Swing arm sleeve	C63000
19	Plug	SS304
20	Acle hole sleeve	C63000
21	Shaft sleeve	C63000

Pressure Rating:300PSI

DN	INCH	A	B	C	ØD	L	ØW	F	ASME B16.42 CLASS150			
									PCD	N-ØC	Ød	f
100	4"	8.76	6.24	4.17	4.02	12.99	9.06	0.94	7.50	8-0.75	6.19	0.08
125	5"	11.42	8.35	4.72	5.00	14.02	10.04	0.94	8.50	8-0.875	7.31	0.08
150	6"	11.69	8.74	5.35	5.98	15.98	11.02	1.00	9.50	8-0.875	8.50	0.08
200	8"	14.37	10.43	6.44	7.99	19.49	13.58	1.13	11.75	8-0.875	10.63	0.08
250	10"	16.44	11.93	7.87	10.00	22.01	15.94	1.19	14.25	12-1	12.75	0.08
300	12"	17.83	13.11	9.78	11.81	25.98	9.09	1.25	17.00	12-1	15.00	0.08

**SWING CHECK VALVE (SHOTGUN)
2"-12" 350 PSI**



DN	L	D1	D2	B	C	P1	P2	B
50	169	57.15	60.3	7.95	15.88	1/2"	1"	1/4"
65	181	69.09	73	7.95	15.88	1/2"	1-1/4"	1/4"
80	198	84.94	88.9	7.95	15.88	1/2"	1-1/4"	1/4"
100	214	110.08	114.3	9.53	15.88	1/2"	2"	1/4"
125	248	137.03	141.3	9.53	15.88	1/2"	2"	1/4"
150	270	163.96	168.3	9.53	15.88	1/2"	2"	1/4"
200	325	214.4	219.1	11.13	19.05	1/2"	2"	1/4"
250	47	268.3	273	12.7	19.05	1/2"	2"	1/4"
300	535	318.3	323.9	12.7	19.05	1/2"	2"	1/4"

No	Name	Qty	Material
1	Valve Body	1	DI, ASTM A536 Grade 65-45-12
2	Bolt	2	1045, ASTM A29
3	Plug	2	1045, ASTM A29
4	Plug	1	1045, ASTM A29
5	Spring	1	SS304, ASTM A276
6	Hinge Pin	1	S.S.04, ASTM A276 OR DI, ASTM A536 Grade 65-45-12
7	Clapper	1	SS304, ASTM A276
8	Seat	1	C95400, ASTM B148
9	Clamping Ring	1	SS304, ASTM A276
10	Locknut	1	SS304, ASTM A276
11	Facing Seal	1	EPDM, ASTM DN2000
12	Gasket	1	EPDM, ASTM DN2000
13	Bolt	1	SS304, ASTM A276
14	Plug	1	1045, ASTN A29