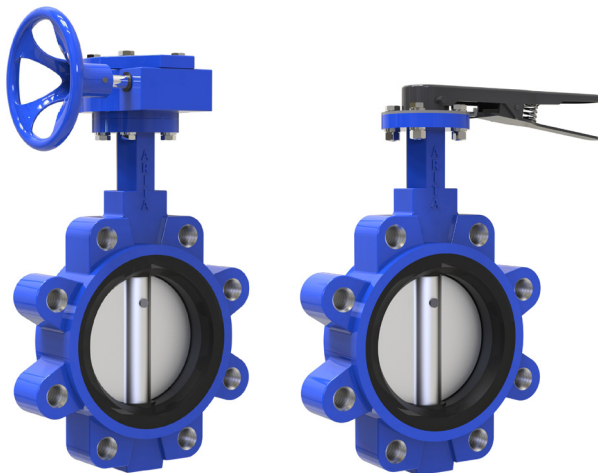


BFL1 LUG BUTTERFLY VALVE

PN6 / PN10 / PN16 / PN25(DN50-DN600)

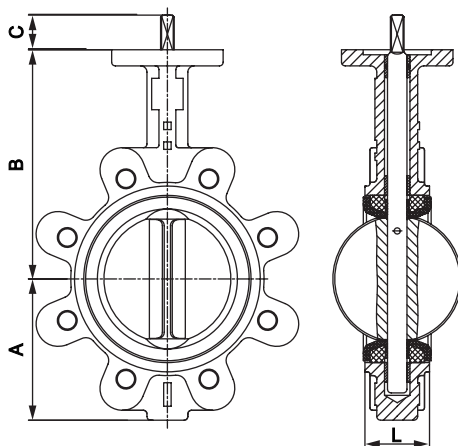


TECHNICAL DESCRIPTION

- Lug type butterfly valve, concentric design
- Higher strength for disc with pin
- Single shaft design ensure coaxiality
- Design according to EN 593
- Testing according to EN 12266-1 & API 598
- Face to face dimension according to EN 558
- Connection dimension according to EN1092-2 PN6 / PN10 / PN16 / PN25 / ASME B16.5 CL150 / JIS 10K / AS 2129 TABLE E

PRESSURE & TEMPERATURE RATINGS

Rating pressure	6bar / 10bar / 16bar / 25bar
Shell test pressure	9bar / 15bar / 24bar / 37.5bar
Seal test pressure	6.6bar / 11bar / 17.6bar / 27.5bar
Working temperature	-20°C ~ 130°C (EPDM) - 5°C ~ 80°C (NBR) -20°C ~ 130°C (PTFE) - 5°C ~ 150°C (VITON) -50°C ~ 200°C (SILICON)



MATERIAL SPECIFICATION

Part	Material	ASTM. Spec.
Body	Cast Iron	A 126 B
	Ductile Iron	A 536
	Carbon Steel	A216 WCB
	Stainless Steel	A351 CF8
		A351 CF8M
Disc	Ductile Iron	A 536
	Stainless Steel	A351 CF8
		A351 CF8M
Shaft	Alu-Bronze	B148 C95400
	Stainless Steel	S42000
		S43100
Seat	EPDM,NBR,PTFE,VITON,SILICON	

Note: Other material is available upon request.

* Ductile Iron disc can be painted for epoxy, nylon, halar and plated Ni or Cr.

DIMENSIONS

	50	65	80	100	125	150	200	250	300	350	400	450	500	600
DN	50	65	80	100	125	150	200	250	300	350	400	450	500	600
NPS	2"	2 1/2"	3"	4"	5"	6"	8"	10"	12"	14"	16"	18"	20"	24"
A	80	89	95	114	127	139	175	203	242	267	308.5	327	359.5	459
B	156	162	170	185	207	216	256	248	280	368	400	422	480	562
C	24	24	24	28	28	28	34	34	34	45	72	72	82	82
L	42	46	46	52	56	56	61	68	77	78	102	114	127	154

We keep the right to change the mentioned data at any time without prior or direct notice.

All the pictures presented are only for reference. | Copyright © 2022 - ARITA