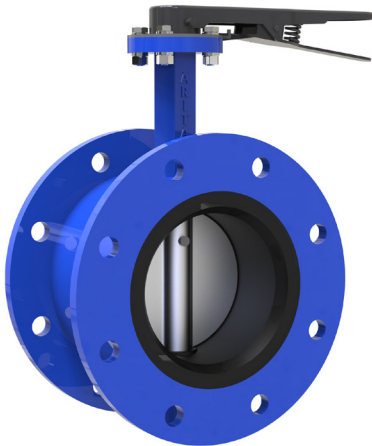


# BFF FLANGE BUTTERFLY VALVE

## PN10 / PN16(DN50-DN1200)

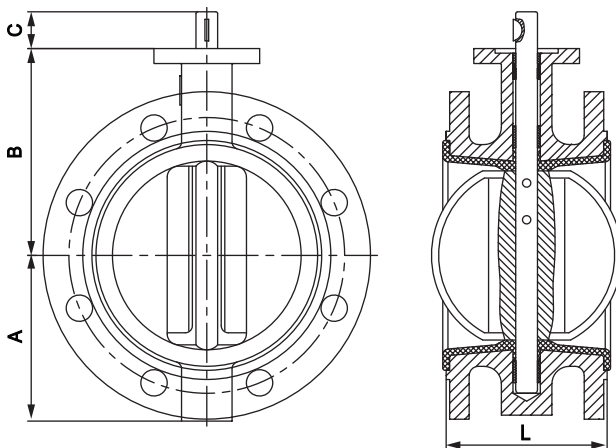


### TECHNICAL DESCRIPTION

- Flange type butterfly valve, concentric design
- Higher strength for disc with pin
- Single shaft design ensure coaxiality
- Design according to EN 593
- Testing according to EN 12266-1 & API 598
- Face to face dimension according to EN 558
- Connection dimension according to EN1092-2 PN10 / PN16 / ASME B16.5 CL150 / ASME B16.47 CL150

### PRESSURE & TEMPERATURE RATINGS

Rating pressure	10bar / 16bar
Shell test pressure	15bar / 24bar
Seal test pressure	11bar / 17.6bar
Working temperature	-20°C ~ 130°C (EPDM) - 5°C ~ 80°C (NBR) -20°C ~ 130°C (PTFE) - 5°C ~ 150°C (VITON) -50°C ~ 200°C (SILICON)



### MATERIAL SPECIFICATION

Part	Material	ASTM. Spec.
Body	Cast Iron	A 126 B
	Ductile Iron	A 536
	Carbon Steel	A216 WCB
	Stainless Steel	A351 CF8 A351 CF8M
	Disc	Ductile Iron
Disc	Stainless Steel	A351 CF8 A351 CF8M
	Alu-Bronze	B148 C95400
	Shaft	Stainless Steel
Seat	EPDM,NBR,PTFE,VITON,SILICON	

Note: Other material is available upon request.

\* Ductile Iron disc can be painted for epoxy, nylon, halar and plated Ni or Cr.

### DIMENSIONS

	50	65	80	100	125	150	200	250	300	350	400	450	500	600	700	800	900	1000	1200
NPS	2"	2 1/2"	3"	4"	5"	6"	8"	10"	12"	14"	16"	18"	20"	24"	28"	32"	36"	40"	48"
A	83	93	100	114	125	143	170	198	223	279	300	345	355	410	500	550	625	690	800
B	120	130	145	155	170	190	205	235	280	310	340	375	430	500	560	620	685	735	917
C	32	32	32	32	32	32	40	40	40	45	51.2	51.2	64.2	70.2	80	80	118	142	154
L	108	112	114	127	140	140	152	165	178	190	216	222	229	267	292	318	330	410	470

Unit:mm

We keep the right to change the mentioned data at any time without prior or direct notice.

All the pictures presented are only for reference. |Copyright © 2022 - ARITA