

Water Management Solutions

for Europe, Middle East & Africa

Ball Valves

**Your knowledgeable and trusted partner
for the best in water management solutions**



BALL VALVES – BENEFITS AT A GLANCE

Full Flow: Minimum head loss to installation.

Male / Female Option: Reduces the amount of fittings used in an installation.

UV Stabilised: Will continue to perform, even in harsh sunlight conditions.

Colour-coded Handle: Blue for general use, Purple for recycled water.

Removable Handle: Anti-vandalism option that renders the valve inoperable.

Long BSP Threads: Meets European market needs.

Corrosion Resistant: Constructed from non corrosive materials.



REINFORCED NYLON FULL FLOW BALL VALVE

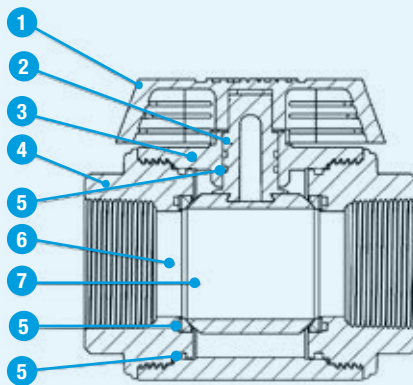
Specifications

- Maximum operating temperature of 60° C.
- Pressure rating 16 bar.

Installation

- Sealing threads should be joined with Teflon thread tape or an appropriate sealing compound.

Parts & Materials



1 Handle

– Nylon

2 Stem

– POM (acetal)

3 Body

– Nylon

4 End Connector

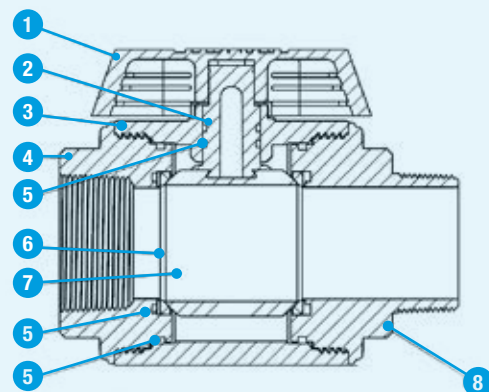
– Nylon

5 O-Rings

– NBR

6 Seat

– HDPE



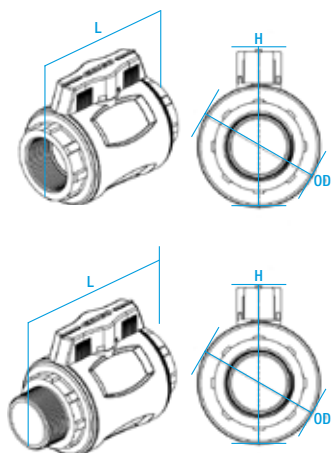
7 Ball

CPVC

8 Male Thread Connector ^{FxM only}

– Nylon

Dimensions



Size	Part Number	H	L	OD
Inch		mm	mm	mm
1/2"	0837 2513 400	77.3	97.3	56.0
3/4"	0837 2513 401	77.3	97.5	56.0
1"	0837 2513 402	87.0	109.4	65.8
1 1/4"	0837 2513 403	99.0	120.9	73.6
1 1/2"	0837 2513 404	118.5	133.0	90.0
2"	0837 2513 405	137.2	151.0	106.2
<hr/>				
3/4"	0837 2513 406	77.3	118.7	56.0
1"	0837 2513 407	87.0	130.8	65.8
1 1/4"	0837 2513 408	99.0	148.9	73.6
1 1/2"	0837 2513 409	118.5	155.7	90.0
2"	0837 2513 410	137.2	175.2	106.2

Product Range



Part No.	Description	Size
0837 2513 400	F/F Ball Valve 15	15 mm / 1/2"
0837 2513 401	F/F Ball Valve 20	20 mm / 3/4"
0837 2513 402	F/F Ball Valve 25	25 mm / 1"
0837 2513 403	F/F Ball Valve 32	32 mm / 1 1/4"
0837 2513 404	F/F Ball Valve 40	40 mm / 1 1/2"
0837 2513 405	F/F Ball Valve 50	50 mm / 2"
0837 2513 406	M/F Ball Valve 20	20 mm / 3/4"
0837 2513 407	M/F Ball Valve 25	25 mm / 1"
0837 2513 408	M/F Ball Valve 32	32 mm / 1 1/4"
0837 2513 409	M/F Ball Valve 40	40 mm / 1 1/2"
0837 2513 410	M/F Ball Valve 50	50 mm / 2"
0837 2513 430	Blue NORMA Ball Valve Handle	Suits 15 & 20 mm
0837 2513 431	Blue NORMA Ball Valve Handle	Suits 25 mm
0837 2513 432	Blue NORMA Ball Valve Handle	Suits 32 mm
0837 2513 433	Blue NORMA Ball Valve Handle	Suits 40 mm
0837 2513 434	Blue NORMA Ball Valve Handle	Suits 50 mm
0837 2513 435	Purple NORMA Ball Valve Handle	Suits 15 & 20 mm
0837 2513 436	Purple NORMA Ball Valve Handle	Suits 25 mm
0837 2513 437	Purple NORMA Ball Valve Handle	Suits 32 mm
0837 2513 438	Purple NORMA Ball Valve Handle	Suits 40 mm
0837 2513 439	Purple NORMA Ball Valve Handle	Suits 50 mm

Guideline to remove the handle



STEP 1
Turn the handle clockwise lightly.



STEP 2
Put fingers below handle and pull it up at the same time with thumbs pushing on valve's body.

NORMA Group

Postfach 11 49 · D-63461 Maintal
Edisonstraße 4 · D-63477 Maintal

Tel: +49 (61 81) 4 03-0

Fax: +49 (61 81) 4 03-210

norma-watermanagement.com

watermanagement@normagroup.com

Our products are engineered and produced for performance, durability, ease of installation and the efficient use of resources.

This leaflet supersedes all previous issues. No part of this publication may be reproduced without our prior written consent. In NORMA Group's policy of continual product improvements to meet user needs and technological developments, all models and sets listed in this folder (photographs, specifications, sizes and weights) may be upgraded or discontinued without notice and without any obligation on our part to modify tools or equipment sold previously. The recommendations for use and safety given in this folder do not replace accepted good practice or the safety-related legal and regulatory provisions. References to standards implemented as of June 20th, 2019, are not contractually binding.

