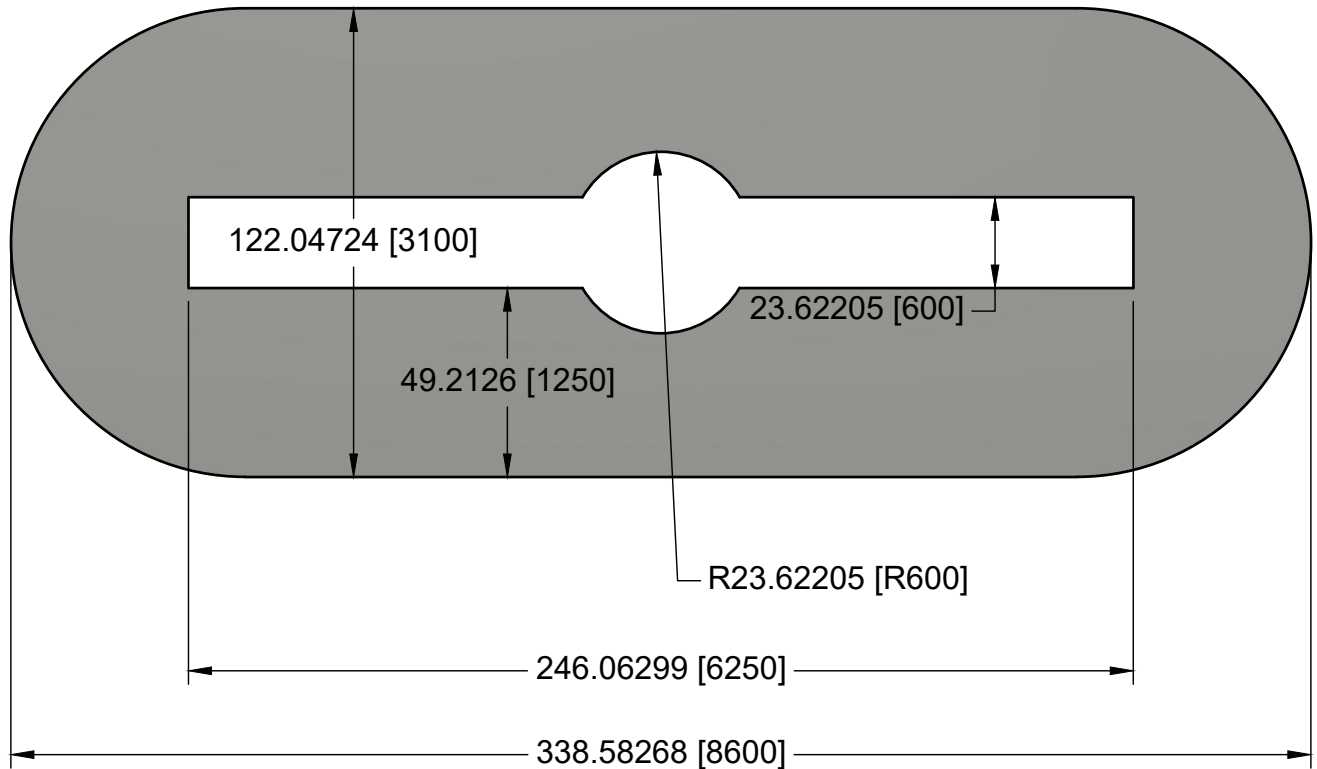


# Print Height (Z) 2060mm

Printable area is gray



Material	TITLE Scara Elite Roadrunner Extended 6000mm		
Measurements are shown in this order ØInches [ØMilimeters]	PROJECT		REV 1.0
	SCALE 1:50		SHEET 1/1
DRAWN 3D Potter	6/13/2023		