



4.5" DOT MOTORCYCLE DRIVING LIGHT



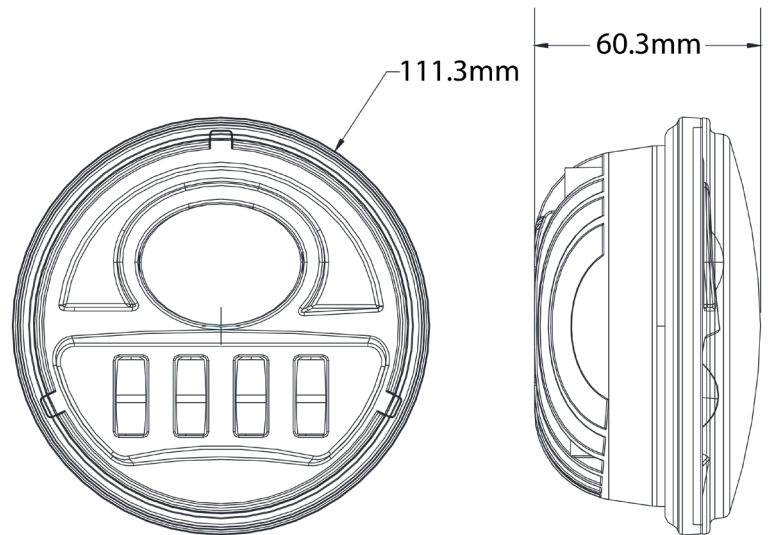
SILVER-OPS



BLACK-OPS

FEATURES & BENEFITS

- FITS MOST POPULAR MOTORCYCLE MODELS
- SOLD AS A PAIR
- 1400 LUMENS @ 2 AMPS EACH
- POLYCARBONATE LENS
- DIE-CAST ALUMINUM HOUSING
- 2 YEAR WARRANTY



| 4.5" DOT MOTORCYCLE DRIVING LIGHT (PAIR) | | |
|--|--------------|-----------|
| | DRIVING BEAM | |
| BEAM DESCRIPTION | SILVER-OPS | BLACK-OPS |
| PART # | 10-20211 | 10-20212 |

