

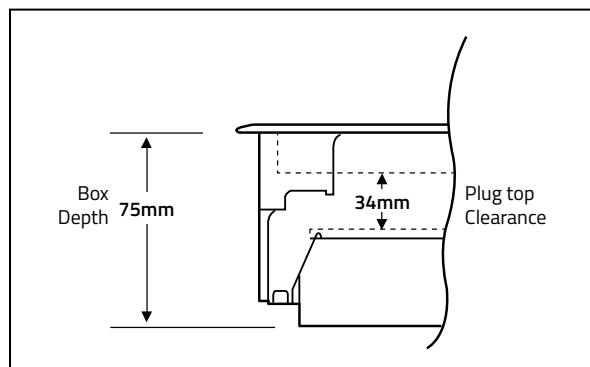
### Product Description

- Floor box manufactured from galvanised steel
- 25 & 20mm knockouts to accept flexible conduit
- Frame & lid moulded from high impact polycarbonate, colour equivalent: RAL7031
- Galvanised lid insert for strength
- Easy grip recessed lifting handle
- Compact design 303 x 221mm floor cut-out
- Large range of accessory plates, colour equivalent: RAL7035
- Special plates available to order
- Clean Earth Sockets available
- ABS Plastic Frame & Lid Load Test 550 KG
- Steel Frame & Lid Load Test 740 KG

### Specifications

Floor Cut Out:	303mm x 221mm
Depth:	75mm
Plug Top Clearance:	34mm
Overall Frame & Lid:	313mm x 230mm
Frame Lid Recess:	6mm
Accessory Plates:	185mm x 68mm

### Plug Top Clearance Diagram



### Frame & Lid Options for TSB4/75

Designed specifically for high traffic environments such as schools and colleges.

