

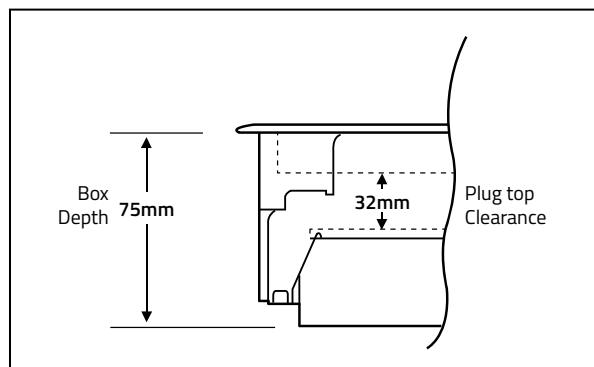
### Product Description

- Floor box manufactured from galvanised steel
- 25 & 20mm knockouts to accept flexible conduit
- Frame & lid moulded from high impact polycarbonate, colour equivalent: RAL7031
- Galvanised lid insert for strength
- Easy grip recessed lifting handle
- Compact design 266 x 212mm floor cut-out
- Large range of accessory plates, colour equivalent: RAL7031
- Special plates available to order
- Clean Earth Sockets available
- ABS Plastic Frame & Lid Load Test 550 KG
- Steel Frame & Lid Load Test 740 KG
- ABS Frame & Lid Fire Rating UL94 HB Halogen Free
- IP Rating IP20
- Fire Rating Euro Class E-F Class 4 None Tested

### Specifications

Floor Cut Out:	266mm x 212mm
Depth:	75mm
Plug Top Clearance:	32mm
Overall Frame & Lid:	272mm x 223mm
Frame Lid Recess:	6mm
Accessory Plates:	185mm x 76mm

### Plug Top Clearance Diagram



### Frame & Lid Options for TSB3s/75

Designed specifically for high traffic environments such as schools and colleges.



Contact: sales@floorbox.co.uk | Visit: www.floorbox.co.uk

Customer notice: Due to our policy of continuous improvement, Tass Cable Management Ltd reserve the right to change product specifications without notice. Tass Cable Management Ltd © | Floorbox.co.uk © | 2020 | All rights Reserved.