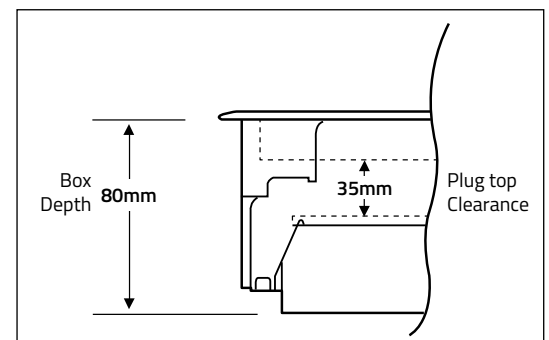


**1 Compartment Screed Floorbox****Model: TSB1/80 (RCD Compatible)****Product Description**

- Floor box manufactured from galvanised steel
- 25 & 20mm knockouts to accept flexible conduit
- Frame & lid moulded from high impact polycarbonate, colour equivalent: RAL7031
- Galvanised lid insert for strength
- Easy grip recessed lifting handle
- Compact design 218 x 150mm floor cut-out
- Designed to accept 1 accessory plates
- Large range of accessory plates, colour equivalent: RAL7035
- Special plates available to order
- Designed specifically to accept STO291/RCD Twin RCD Protected Sockets
- Clean Earth Sockets available
- ABS Plastic Frame & Lid Load Test 550 KG
- Steel Frame & Lid Load Test 740 KG

**Specifications**

<b>Floor Cut Out:</b>	218mm x 150mm
<b>Depth:</b>	80mm
<b>Plug Top Clearance:</b>	35mm
<b>Overall Frame &amp; Lid:</b>	230mm x 160mm
<b>Frame Lid Recess:</b>	6mm
<b>Accessory Plates:</b>	185mm x 89mm

**Plug Top Clearance Diagram**

**Contact:** [sales@floorbox.co.uk](mailto:sales@floorbox.co.uk) | **Visit:** [www.floorbox.co.uk](http://www.floorbox.co.uk)

Customer notice: Due to our policy of continuous improvement, Tass Cable Management Ltd reserve the right to change product specifications without notice. Tass Cable Management Ltd © | Floorbox.co.uk © | 2016 | All rights Reserved.