

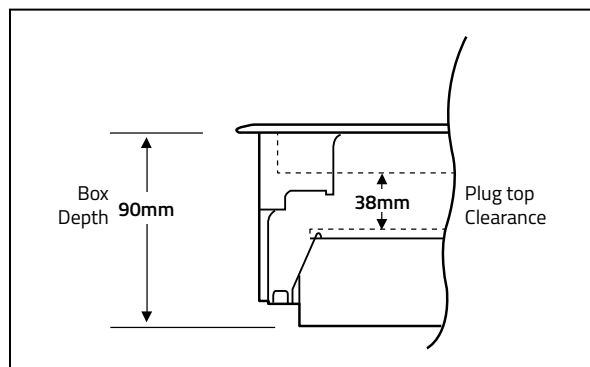
### Product Description

- Floor box manufactured from galvanised steel
- 25 & 20mm knockouts to accept flexible conduit
- Frame & lid moulded from high impact polycarbonate (RAL7031)
- Galvanised lid insert for strength
- Easy grip recessed lifting handle
- Clamp fixing for fast installation
- Large range of accessory plate, colour equivalent: RAL7035
- Special plates available to order
- Suitable for carpeted floors only with standard Frame & Lid
- Clean Earth Sockets available
- ABS Plastic Frame & Lid Load Test 550 KG
- Steel Frame & Lid Load Test 740 KG

### Specifications

Floor Cut Out:	303mm x 221mm
Depth:	90mm
Plug Top Clearance:	38mm
Overall Frame & Lid:	313mm x 230mm
Frame Lid Recess:	6mm
Accessory Plates:	185mm x 68mm

### Plug Top Clearance Diagram



### Frame & Lid Options for TFB4/90

Designed specifically for high traffic environments such as schools and colleges.



Contact: sales@floorbox.co.uk | Visit: www.floorbox.co.uk

Customer notice: Due to our policy of continuous improvement, Tass Cable Management Ltd reserve the right to change product specifications without notice. Tass Cable Management Ltd © | Floorbox.co.uk © | 2018 | All rights Reserved.