



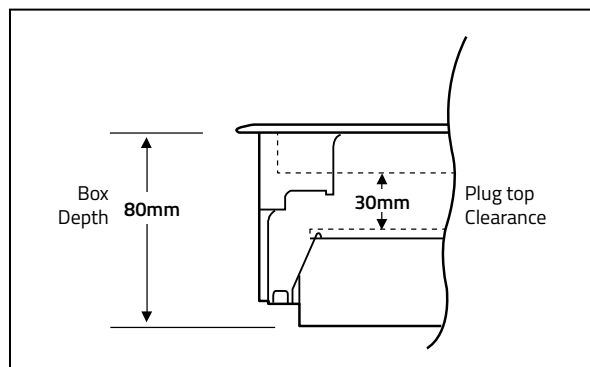
Product Description

- Floor box manufactured from galvanised steel
- 25 & 20mm knockouts to accept flexible conduit
- Frame & lid moulded from high impact polycarbonate (RAL7031)
- Galvanised lid insert for strength
- Easy grip recessed lifting handle
- Clamp fixing for fast installation
- Large range of accessory plate, colour equivalent: RAL7035
- Special plates available to order
- Suitable for carpeted floors only with standard Frame & Lid
- Clean Earth Sockets available
- ABS Plastic Frame & Lid Load Test 550 KG
- Steel Frame & Lid Load Test 740 KG

Specifications

Floor Cut Out:	303mm x 221mm
Depth:	80mm
Plug Top Clearance:	30mm
Overall Frame & Lid:	313mm x 230mm
Frame Lid Recess:	6mm
Accessory Plates:	185mm x 68mm

Plug Top Clearance Diagram



Frame & Lid Options for TFB4/80

Designed specifically for high traffic environments such as schools and colleges.

