

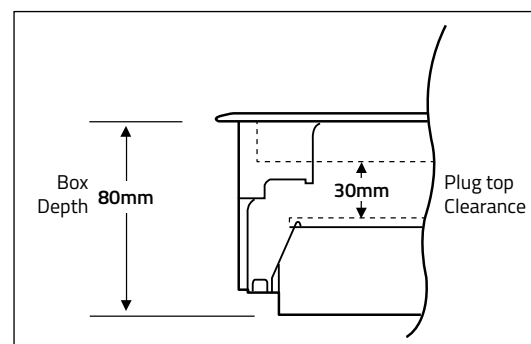
Product Description

- Floor box manufactured from galvanised steel
- 25 & 20mm knockouts to accept flexible conduit
- Frame & lid moulded from high impact polycarbonate, colour equivalent: RAL7031
- Galvanised lid insert for strength
- Easy grip recessed lifting handle
- Compact design 212 x 190mm floor cut-out
- Clamp fixing for fast installation
- Large range of accessory plates, colour equivalent: RAL7031
- Special plates available to order
- Suitable for carpeted floors only with standard Frame & Lid
- Clean Earth Sockets available
- ABS Plastic Frame & Lid Load Test 550 KG
- Steel Frame & Lid Load Test 740 KG

Specifications

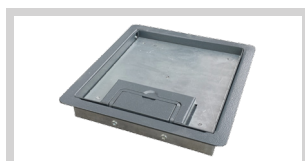
Floor Cut Out:	212mm x 190mm
Depth:	80mm
Plug Top Clearance:	30mm
Overall Frame & Lid:	223mm x 197mm
Frame Lid Recess:	6mm
Accessory Plates:	185mm x 76mm

Plug Top Clearance Diagram



Frame & Lid Options for TFB2s

Designed specifically for high traffic environments such as schools and colleges.



PCL12R311

12mm Recessed Powder Coated Steel

Customer Notice

If ordering TFB2s Floorbox with 2 x Twin switched sockets configuration, ensure plate ST0300/LH is selected for both plates ordered, visit www.floorbox.co.uk for diagram illustrating correct positioning.