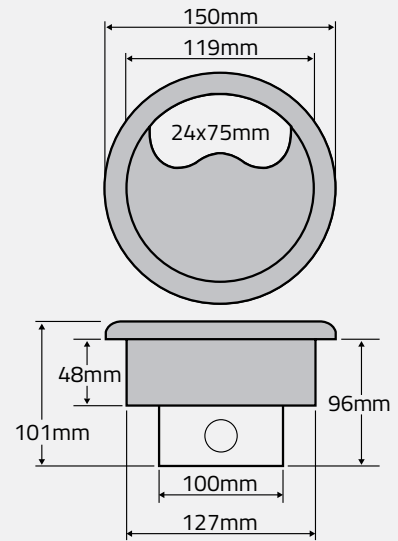


Standard Power Grommet



Product Description

- Adjustable aperture opening
- Secure Screw clamp installation
- Manufactured from High Grade engineering plastics/ABS
- Halogen Free Flame Retardant Material UL94 VO with guaranteed Low Toxicity Galvanised steel back box
- Also available with 5 amp & 16 amp European socket (PG102 only)
- 13 Amp Socket (variant dependant)
- 20mm knockouts
- Accepts LJ6C data modules (variant dependant, modules sold separately)
- Available in Dark Grey or Black (i.e. PG001B = Black or PG001G = Grey)

Note: Not recommended in walkways or in areas which may cause a trip hazard.

Specifications

Model:	Standard Power Grommet
Overall Diameter:	150mm
Cutout:	127mm
Cable Entry:	24x75mm
Floor Depth required:	96mm (min)
Flange Thickness:	5.46mm
Power:	Various (model dependant)
Data:	LJ6C (model dependant)
Colour:	Grey / Black

Standard Power & Data Grommet Configurations



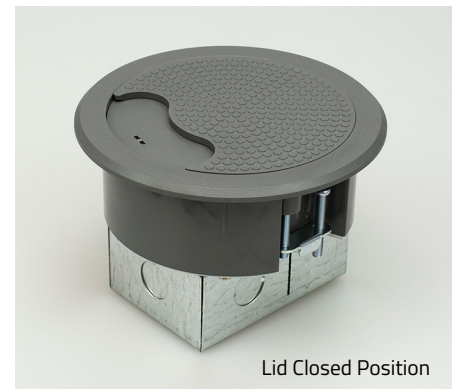
PG001B / PG001G
13A Power Grommet



PG003B / PG003G
13A Power Socket)
+ 2 Data (LJ6C)



PG102B / PG102G
Euro Collar Grommet
(50x50mm) + 1 Data (LJ6C)



Lid Closed Position

Customer Notice: Standard Power Grommets are not suitable for screed and concrete floors. please see our Stainless Steel Power Grommet for screed and concrete floor installations.