

TECHNICAL INFORMATION FOR K45 IP66 STAINLESS STEEL BOX

- Product design carried out under the Safety Requirements of Directive 2006/95 / CE (Low Voltage) by means of compliance with the standard UNE-EN 60.670.
- Product branded with C.C. mark
- Withstands installation temperatures of -25°C to 60°C
- Maximum working temperature (cement setting) of 60°C
- Halogen Free

CLOSED BOX

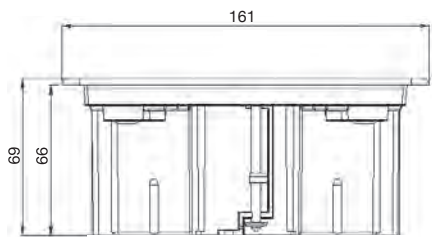
- IP66 Protection Level.
- IK07 Impact Protection Level (with IP66).
- Maximum load per unit area: 12kg/cm²
- Maximum load 1000kg

OPEN BOX

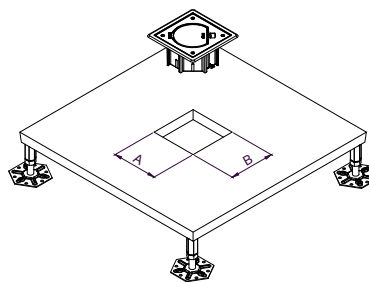
- IP20 Protection Level
- IK08 Impact Protection Level.
- Maximum load per unit area: 4kg/cm²
- Maximum load 170kg

Raised Floor Tray (Cavity Floor)

Ref. [KGE170TF/23](#)



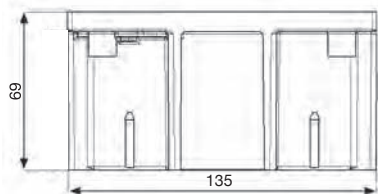
Raised Floor Installation (Cavity Floor)



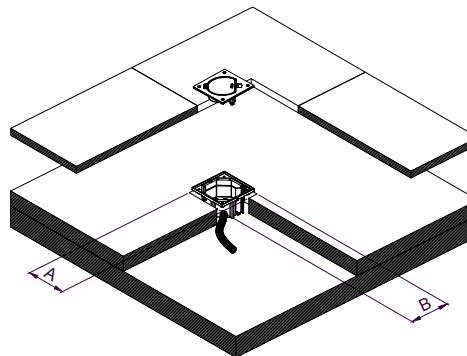
Dimensions AxB
145X145
(mm)

Screed Floor Tray

Ref. [KGE170/23](#)



Screed Floor Installation

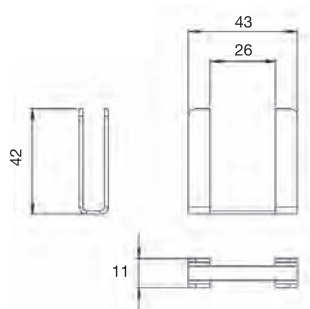


Dimensions AxB
135X135
(mm)

Safety lock: 6mm Allen key

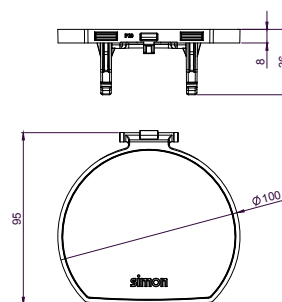
Connecting Accessory

Ref. [ACSE](#)

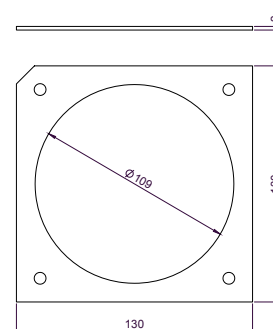


Spare Components

Ref. [RKS001/..](#)



Ref. [RKS003](#)



Ref. [RKS004](#)

