

IP44FTGS



Top-down view

Product Description

- Designed for cavity and screed floors
- Ultra thin cover, only 3.7mm thickness
- Ingress protection, dust and water resistance upto IP44 level protection
- Easy access, cover opens upto 180 degrees and is spring loaded
- Impact protection, high mechanical impact resistance
- Aluminium construction mounting box
- Zinc alloy surface construction finished in Matte Black
- Multiple 20mm & 25mm conduit entries
- 13A UK Socket

Note: Not recommended in walkways or in areas which may cause a trip hazard.

Specifications

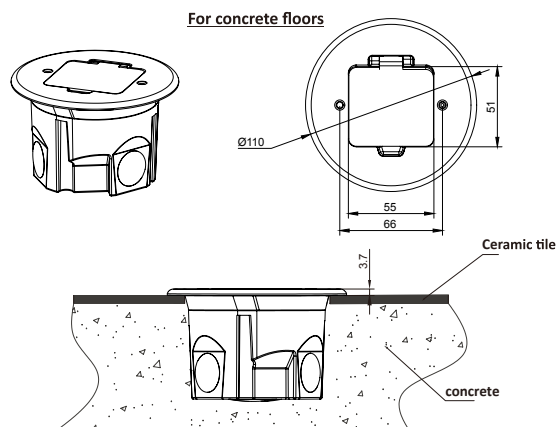
Model:	IP44FTGS Flip Top Grommet
Cutout Dia:	100mm
Overall Dia:	110mm
Colour:	Matte Black
Flange Thickness:	3.7mm
Conduit Entry:	20mm & 25mm (Multiple)
Min. Depth Required:	65mm
Mounting Box Material:	Aluminium Construction
Mounting Screws:	M3 / 40mm
Fitting:	Clamp system



Lid open



Screed installation kit



Screed installation Diagram

Contact: sales@floorbox.co.uk | **Visit:** www.floorbox.co.uk

Customer notice: Due to our policy of continuous improvement, Tass Cable Management Ltd reserve the right to change product specifications without notice. Tass Cable Management Ltd © | Floorbox.co.uk © | 2024 | All rights Reserved.