



IP44FTGC



Top-down view

Product Description

- Designed for cavity floors
- Ultra thin cover, only 3.7mm thickness
- Ingress protection, dust and water resistance upto IP44 level protection
- Easy access, cover opens upto 180 degrees and is spring loaded
- Impact protection, high mechanical impact resistance
- ABS plastic mounting box
- Zinc alloy surface construction finished in Matte Black
- Multiple 20mm conduit entries
- 13A UK Socket

Note: Not recommended in walkways or in areas which may cause a trip hazard.

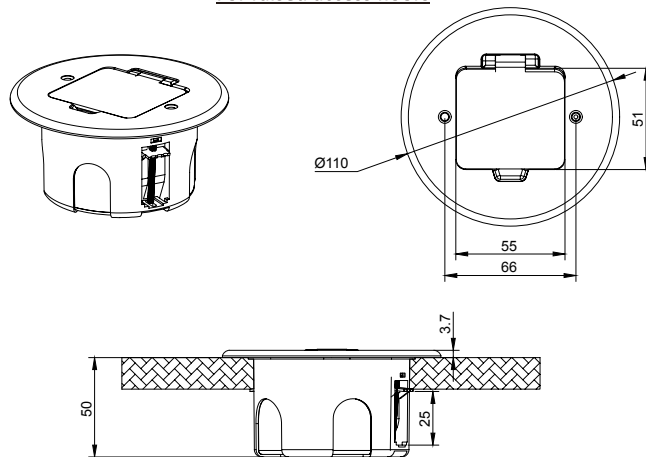
Specifications

Model:	IP44FTGC Flip Top Grommet
Cutout Dia:	80mm
Overall Dia:	110mm
Colour:	Matte Black
Flange Thickness:	3.7mm
Conduit Entry:	20mm (Multiple)
Min. Depth Required:	65mm
Mounting Box Material:	ABS Plastic
Mounting Screws:	M3 / 40mm
Fitting:	Clamp system



Lid open

For raised access floors



Screen installation Diagram