



FGS209P



Product Description

- Adjustable aperture opening
- Secure Screw clamp installation
- Manufactured from High Grade engineering plastics/ABS
- Halogen Free Flame Retardant Material UL94 VO with guaranteed Low Toxicity
- Galvanised steel backbox
- Stainless steel lid insert (earthed)
- 2 x 13 Amp Socket
- 4 x LJ6C data module spaces (modules sold seperately)
- 20mm and 25mm knockouts

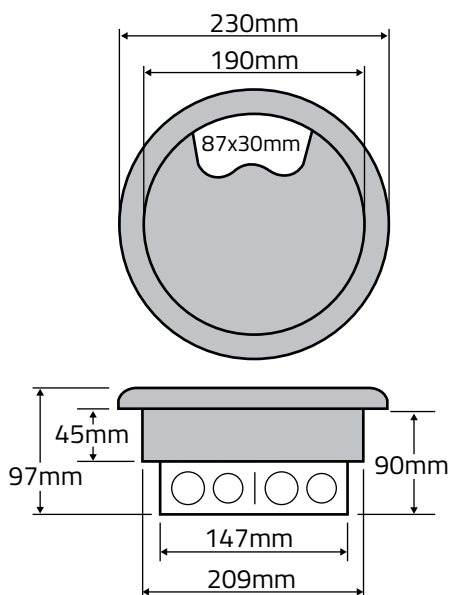
Note: Not recommended in walkways or in areas which may cause a trip hazard.

Specifications

Model:	FGS209P
Cutout:	209mm
Colour:	Grey / Stainless Steel
Power:	2 x 13A Socket
Data:	4 x LJ6C Data Spaces

Customer Notice

This Power Grommet is not suitable for screed and concrete floors. please see our Stainless Steel Power Grommets for screed and concrete floor installations



Lid Closed Position