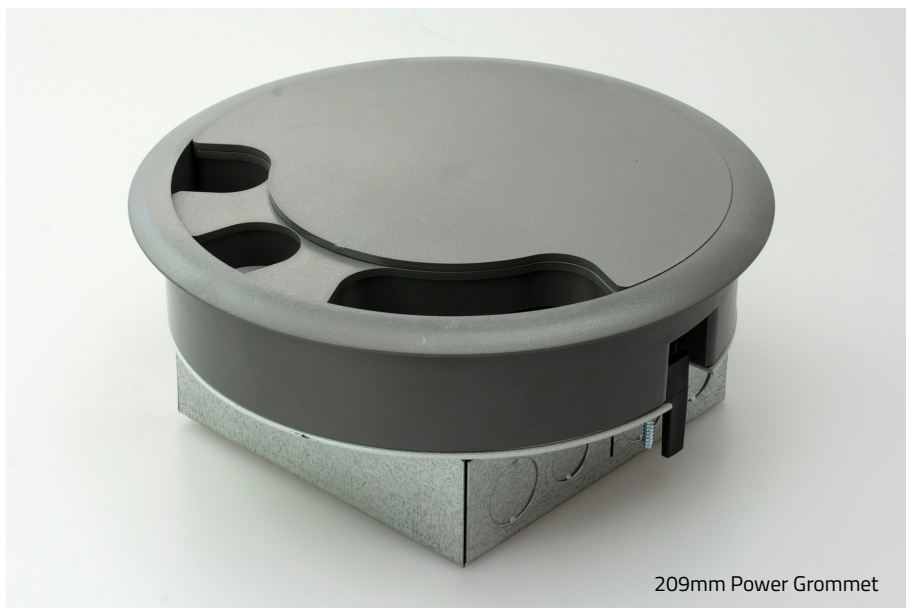
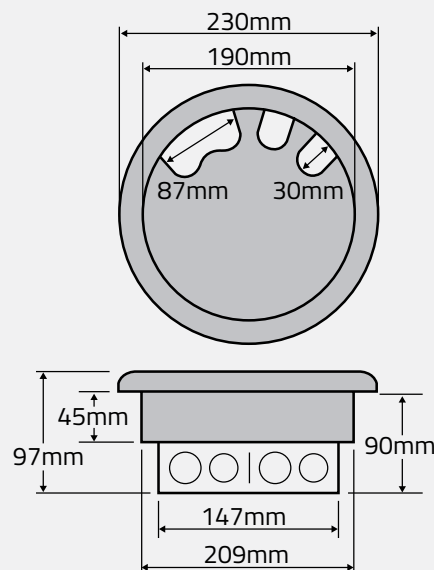


SPECIFICATION SHEET

209mm Power Grommet (Plastic)



209mm Power Grommet



Product Description

- Adjustable aperture opening
- Secure Screw clamp installation
- Manufactured from High Grade engineering plastics/ABS
- Halogen Free Flame Retardant Material UL94 VO with guaranteed Low Toxicity
- Galvanised steel backbox
- 2 x 13 Amp switched UK Socket
- RCD Protected option available
- 4 x Lj6C data modules spaces (modules sold separately)
- 20mm and 25mm knockouts
- Available in Grey or Black

Note: Not recommended in walkways or in areas which may cause a trip hazard.

Specifications

Model:	209mm Power Grommet
Overall Diameter:	230mm
Cutout:	209mm
Cable Entry:	3 c Cable Entries (2 sizes)
Power:	Twin Switched UK Sockets
Data:	4 x Lj6C (model dependent)
Colour:	Grey / Black

209mm Power Grommet Configuration Options



FGG209P / FGB209P
13A Twin Power Grommet +
4 Data Spaces



FGG209RCD-D / FGB209RCD-D
RCD Protected Twin Power Grommet
+ 4 Data Spaces



Lid Closed Position

Customer Notice

209mm Power Grommets are not suitable for screed and concrete floors.

Contact: sales@floorbox.co.uk | **Visit:** www.floorbox.co.uk

Customer notice: Due to our policy of continuous improvement, Tass Cable Management Ltd reserve the right to change product specifications without notice. Tass Cable Management Ltd © | Floorbox.co.uk © | 2020 | All rights Reserved.