

Project:	Quantity:
Model #:	Approval:

For Commercial Use Only

### Coldline PDR-80-SG 80" Refrigerated Pizza Prep with Refrigerated Glass Topping Rail



#### FEATURES

- 80" marble working top
- Refrigeration system keeps food at safe temperatures
- Electronic control system
- Stainless steel interior and exterior
- Swinging solid doors
- 110V. Just plug in and start selling
- Eco-friendly R290 refrigerant
- Automatic defrost
- Foamed-in-place polyurethane insulation
- 20.2 cubic ft capacity internal storage
- Pre-installed Casters
- Topping rail fits (9) 1/3 size pans 6" deep pans (Pans sold separately)

This Coldline commercial refrigerated pizza prep with 80" marble working top (synthetic surface material) is perfect for restaurants, delis, bakeries, or cafes. It keeps your bottles at safe temperatures.



**U**SR Brands is a US supplier of premium quality commercial cooking, refrigeration and food preparation equipment. Our aim is simple. Produce industry-leading commercial restaurant equipment at reasonable prices, and back it all up with an easy to understand, no nonsense warranty that people can count on.

Project:	Quantity:
Model #:	Approval:

For Commercial Use Only

### TECHNICAL DATA

#### DIMENSIONS

Exterior Dimensions	79.5"W x 31.5"D x 56"H
Pizza Prep Interior Dimensions	65"W x 26.75"D x 22.62"H
Packaging Dimensions	81"W x 32.68"D x 41.34"H
Net Volume	20.2 cu. ft.
Unit Weight	773 lb.
Shipping Weight	875 lb.

#### ELECTRICAL

Voltage	115
Hertz	60
Phase	1
Plug Type	NEMA 5-15P

#### COOLING

Temperature Range	33°F to 41°F
Pizza Prep Refrigerant	R290
Topping Rail Refrigerant	R600a
Max. Ambient Temp	109°F
Defrosting	Automatic
Temperature Controller	Digital
Pizza Prep Horsepower	1/4
Topping Rail Horsepower	1/10

#### CONSTRUCTION

Exterior Material	Stainless Steel
Exterior Color	Silver
Interior Material	Stainless Steel
Insulation Material	Foamed-in-Place Polyurethane
Pans	(9) x 1/3 Size 6" Deep S/S Pans (sold separately)
Shelf Size	(3) 16" x 24.8"
Shelf Material	Epoxy Coated Steel
Adjustable Shelf	Yes
Caster	5.5" (2 with brakes, 2 without)

### TECHNICAL DRAWING

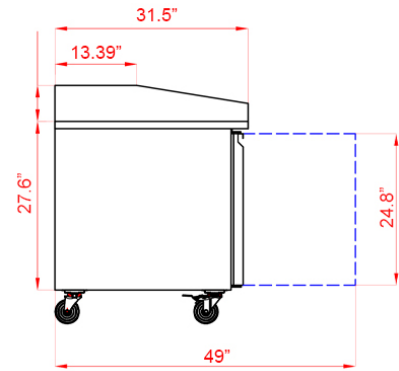
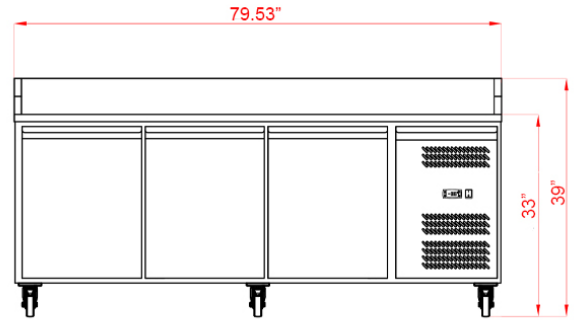
MODEL: PDR-80-SG

MFR ITEM #: GX-PZ3600TN-HC



NEMA 5-15P

#### Pizza Prep



#### Topping Rail

