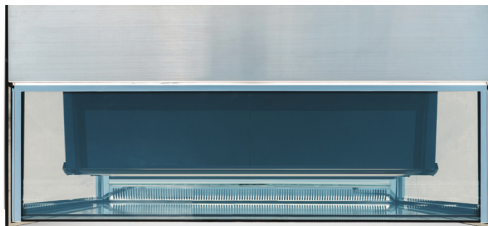


# Flat Glass Display Case KBF Series



Project Name:	
Location:	
Item:	Qty:
Model:	



Nema 5-15P  
Dedicated  
Circuit



5659 Royalmount Ave.  
Montreal, QC, Canada H4P 2P9  
Telephone: 514.737.9701 / Toll Free: 888.275.4538  
Fax: 514.342.3854 / Toll Free: 877.453.8832  
sales@mvpgroupcorp.com / mvpgroupcorp.com

12000 Biscayne Blvd., Suite # 108  
Miami, FL, United States 33181  
Telephone: 786.600.4687 / Toll Free: 844.218.8477  
Fax: 786.661.4100

# REFRIGERATED AND DRY FLAT GLASS DISPLAY CASES



## Durable Design

- Forced air, self-contained refrigerated merchandiser (for the refrigerated cases only)
- Modern design for merchandising beverages, cheese, sandwiches and much more
- Exterior tempered safety glass
- 2 Removable rear sliding glass doors
- Designed for mobility, reliability & efficiency in commercial kitchens
- (2) Height Adjustable shelves
- Slide out condensing unit for easy maintenance
- Four (4) casters
- Simple plug-in installation



## Energy Efficiency

- Digital temperature readout display with electronic thermostatic control
- Double layer glass for front and sides with the film heaters inside of the glass.  
(for the dry cases: double layer glass but without heaters.)
- LED lighting at top & under shelves
- Automatic defrost system
- Case holds 36°F - 41°F



## Superior Quality

- Stainless steel lower body panels
- Solid body construction
- Certified to ETL safety and sanitation standards
- CFC-free refrigerant with R-134a gas.



MODEL NUMBER	CAPACITY (cubic feet)	EXTERNAL DIMS W x D x H	VOLTAGE	AMPS	COMPRESSOR	SHIPPING DIMENSIONS W x D x H	SHIP WEIGHT (LBS)
KBF-36	10	35.4" x 27" x 47"	110/60/1	8.0	1/3	38.9" x 29.5" x 51.2"	463
KBF-48	13.7	47.2" x 27 x 47"	110/60/1	9.0	1/3	50.8" x 29.5" x 51.2"	562
KBF-60	17.6	59" x 27" x 47"	110/60/1	10.0	1/2	62.6" x 29.5" x 51.2"	661
KBF-72	21.5	70.8 x 27 x 47	110/60/1	12.0	2/3	74.4" x 29.5" x 51.2"	749
KBF-36D	10	35.4" x 27" x 47"	110/60/1	0.31	N/A	38.9" x 29.5" x 51.2"	364
KBF-48D	13.7	48" x 27 x 47"	110/60/1	0.35	N/A	50.8" x 29.5" x 51.2"	451
KBF-60D	17.6	59" x 27" x 47"	110/60/1	0.62	N/A	62.6" x 29.5" x 51.2"	529
KBF-72D	21.5	70.8 x 27 x 47	110/60/1	0.66	N/A	74.4" x 29.5" x 51.2"	584

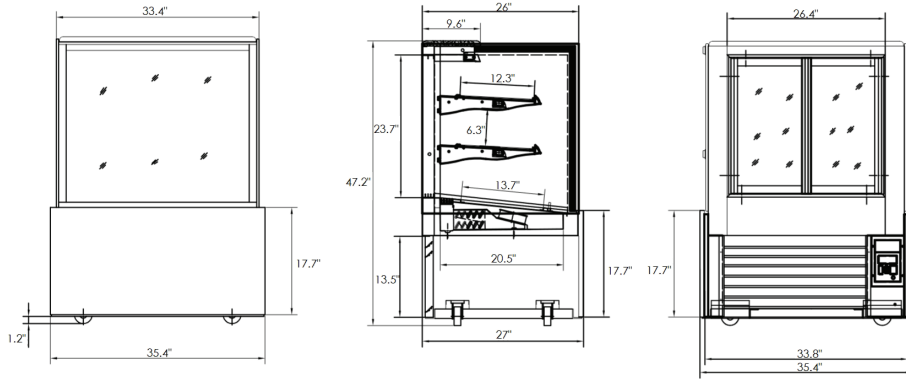
The refrigerated KBF series cases are engineered to operate in locations not exceeding 80°F and 55% relative humidity.



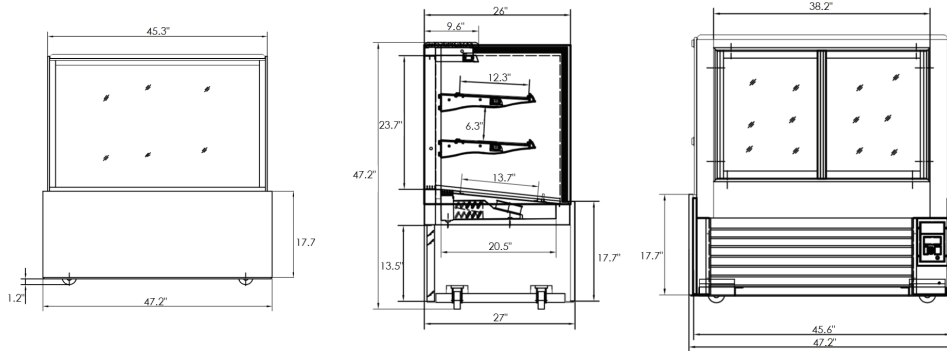
5659 Royalmount Ave.  
Montreal, QC, Canada H4P 2P9  
Telephone: 514.737.9701 / Toll Free: 888.275.4538  
Fax: 514.342.3854 / Toll Free: 877.453.8832  
sales@mvpgroupcorp.com / mvpgroupcorp.com

12000 Biscayne Blvd., Suite # 108  
Miami, FL, United States 33181  
Telephone: 786.600.4687 / Toll Free: 844.218.8477  
Fax: 786.661.4100

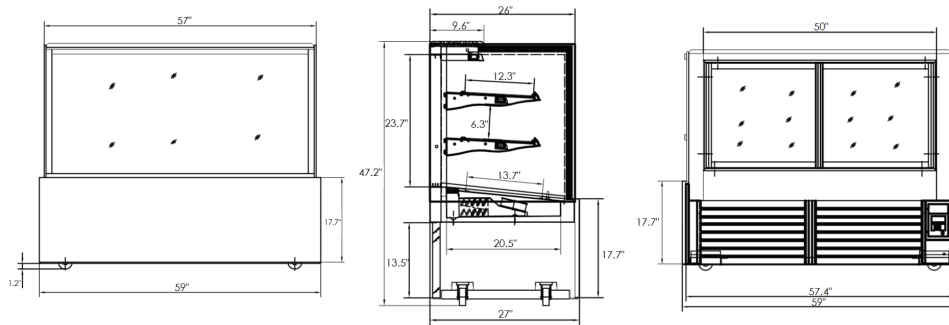
# REFRIGERATED AND DRY FLAT GLASS DISPLAY CASES



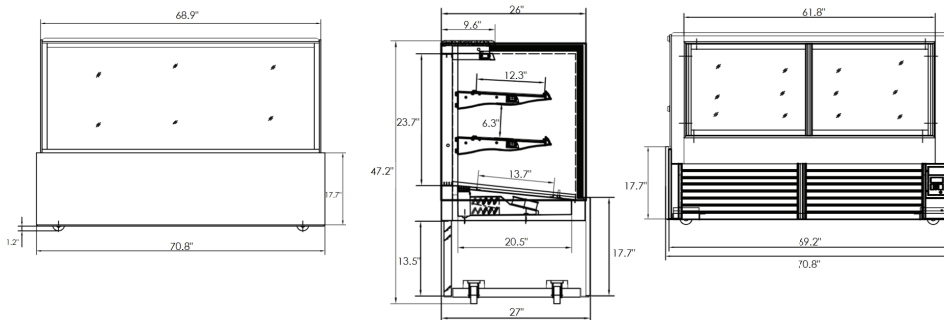
**KBF-36 / KBF-36D**



**KBF-48 / KBF-48D**



**KBF-60 / KBF-60D**



**KBF-72 / KBF-72D**

Warranty: 24 months parts and labor.  
Additional 36 months on compressor (part only)

KOOL-IT is a registered trademark of MVP Group.  
Specifications subject to change without notice.



5659 Royalmount Ave.  
Montreal, QC, Canada H4P 2P9  
Telephone: 514.737.9701 / Toll Free: 888.275.4538  
Fax: 514.342.3854 / Toll Free: 877.453.8832  
sales@mvpgroupcorp.com / mvpgroupcorp.com

12000 Biscayne Blvd., Suite # 108  
Miami, FL, United States 33181  
Telephone: 786.600.4687 / Toll Free: 844.218.8477  
Fax: 786.661.4100

# CORNER REFRIGERATED AND DRY DISPLAY CASE



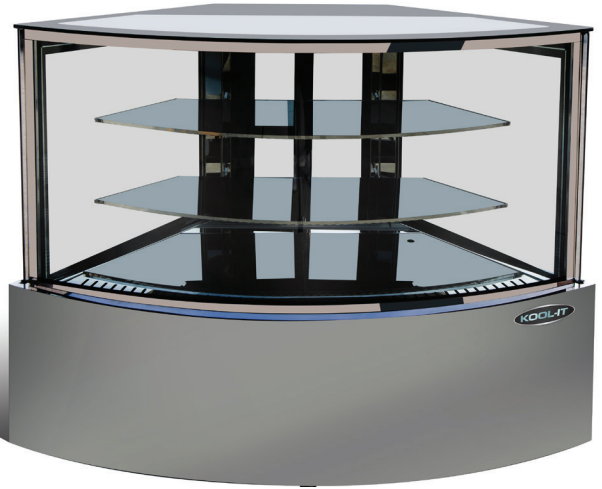
## Durabile Design

- Forced air, self-contained refrigerated merchandiser (for the refrigerated cases only)
- Modern design for merchandising beverages, cheese, sandwiches and much more
- Exterior tempered safety glass
- 2 Removable rear sliding glass doors
- Designed for mobility, reliability & efficiency in commercial kitchens
- (2) Height Adjustable shelves
- Slide out condensing unit for easy maintenance
- Four (4) casters
- Simple plug-in installation



## Energy Efficiency

- Digital temperature readout display with electronic thermostatic control
- Double layer glass for front and sides with the film heaters inside of the glass.  
(for the dry cases: double layer glass but without heaters.)
- LED lighting at top & under shelves
- Automatic defrost system
- Case holds 36°F - 41°F

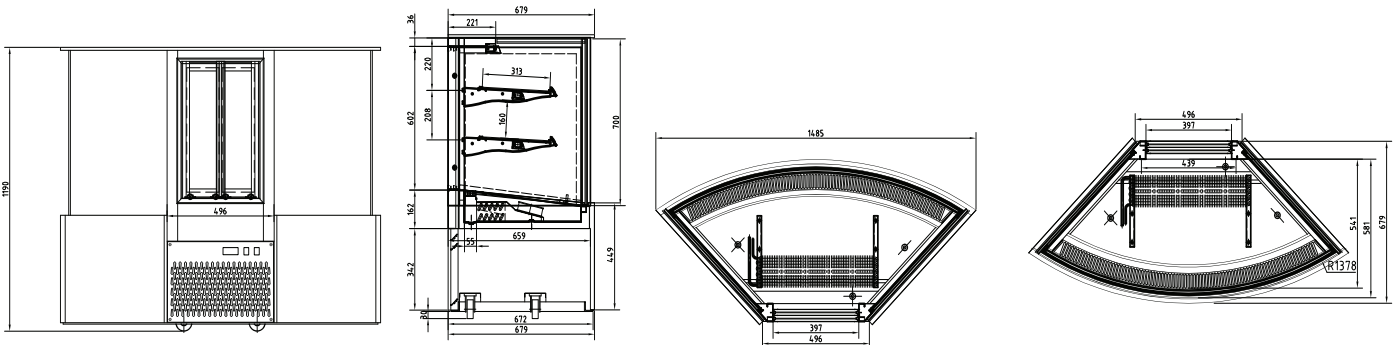


## Superior Quality

- Stainless steel lower body panels
- Solid body construction
- Certified to ETL safety and sanitation standards
- CFC-free refrigerant with R-134a gas.



MODEL NUMBER	CAPACITY (cubic feet)	EXTERNAL DIMS W x D x H	VOLTAGE	AMPS	COMPRESSOR	SHIPPING DIMENSIONS W x D x H	SHIP WEIGHT (LBS)
KBF-60C	15.9	59" x 26.7" x 47"	110/60/1	4.50	1/3 HP	65" x 32.3" x 53"	672
KBF-60CD	15.9	59" x 26.7" x 47"	110/60/1	0.62	N/A	65" x 32.3" x 53"	570



5659 Royalmount Ave.  
 Montreal, QC, Canada H4P 2P9  
 Telephone: 514.737.9701 / Toll Free: 888.275.4538  
 Fax: 514.342.3854 / Toll Free: 877.453.8832  
 sales@mvpgroupcorp.com / mvpgroupcorp.com

12000 Biscayne Blvd., Suite # 108  
 Miami, FL, United States 33181  
 Telephone: 786.600.4687 / Toll Free: 844.218.8477  
 Fax: 786.661.4100