

Project:	Quantity:
Model #:	Approval:

For Commercial Use Only

ICE550T-FA 30" Modular Air Cooled 550 lb. Capacity Full Cube Shape Ice Machine



FEATURES

- Produces 550 lb. of ice in 24 hours
- Modular ice machine head
- Self-clean system
- Produces high-quality crystal clear ice cubes
- Digital controller and display
- Adjustable ice thickness
- Side-located air filter for more efficient operation

This air-cooled modular icemaker in stainless steel from Coldline is a very reliable and versatile ice maker that produces up to 550 lb. of ice per day. This #304 stainless steel construction provides durability to a unit that is low-maintenance and easy to clean with a self-clean system. The unit produces crystal clear ice cubes that work great for applications in restaurants, bars, hotels, grocery stores and more. This unit runs on a standard electrical current and is ETL approved for commercial use, pairing high output and capacity with easy to use control panel, compact design.

- cETLus Listed
 - ETL Sanitation Listed
- Conforms to UL & NSF Standards



USR Brands is a US supplier of premium quality commercial cooking, refrigeration and food preparation equipment. Our aim is simple. Produce industry-leading commercial restaurant equipment at reasonable prices, and back it all up with an easy to understand, no nonsense warranty that people can count on.

Project:	Quantity:
Model #:	Approval:

For Commercial Use Only

TECHNICAL DATA

DIMENSIONS

Exterior Dimensions	29.9"W x 24"D x 23"H
Packaging Dimensions	33"W x 30"D x 24"H
Unit Weight	146 lb.
Shipping Weight	154 lb.

ELECTRICAL

Voltage	110
Hertz	60
Phase	1
Wattage	1240
Plug Type	NEMA 5-15P
Power Cord Length	84"

COOLING

Ice Shape	Full Cube
Ice Size	22x22x22 mm
Condenser Type	Air Cooled
24 Hour Ice Yield Output	550 lb.
Min. Water Pressure	19 PSIG
Max. Water Pressure	80 PSIG
Refrigerant	R290
Temperature Controller	Digital

CONSTRUCTION

Exterior Material	Stainless Steel
-------------------	-----------------

TECHNICAL DRAWING

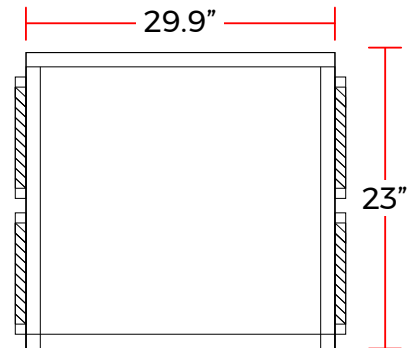
MODEL: ICE550T-FA

MFR MODEL:

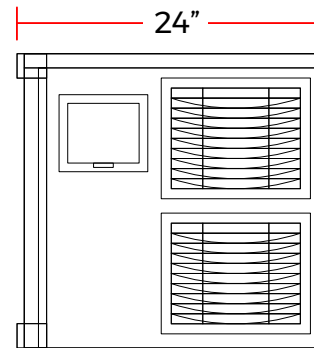


NEMA 5-15P

FRONT VIEW



SIDE VIEW



BACK VIEW

