

Project _____

Item # _____

Quantity _____



RC1



Rice Cooker / Warmer

Chefmate® Countertop Equipment

Model

RC1 Countertop Rice Cooker / Warmer



Intertek



Intertek

GLOBE FOOD EQUIPMENT COMPANY

Rice Cooker / Warmer

RC1

Standard Features

- Single switch for cook-to-warm
- Stainless steel body and lid
- Cooks up to 25 one-cup servings
- Built-in thermostat
- Removable pot with non-stick surface
- Over-heat protection with manual reset
- 1600 watts for cooking rice
- Measuring cup and scoop included
- Attached 4½-foot power cord and NEMA 5-15plug

Warranty

- One-year parts and labor

Approved By: _____

Date: _____



GLOBE FOOD EQUIPMENT COMPANY

www.globeslicers.com

2153 Dryden Rd.
Dayton, OH 45439
Phone: 937-299-5493
Phone: 800-347-5423
Fax: 937-299-4147



Rice Cooker / Warmer

RC1

For Indoor Use Only

Electrical:

RC1 - 120V, 1600W, 4½-foot flexible, three-wire cord with attached ground plug. NEMA 5-15P

Construction: Stainless steel body and lid.

Standard Equipment: Standard equipment includes non-stick inner cooking pot, stainless steel lid, measuring cup and serving scoop.

Specifications

Temperature Controls: This function controls cookware to a precise temperature for cooking.
Do not operate cooker while empty.

Cook and Hold: Rice Cooker cooks rice and then holds rice at serving temperature.

Over-heat Reset Push Button: Supplied with a over-heat manual reset push button for temperature overload and safety.

Additional Optional Accessories

- Lid
- Inner pot

Dimensions RC1:

Foot Print = 16.5" Diameter (42 cm)
Overall Length = 16.5" (44.5 cm)
Overall Width = 16.5" (42 cm)
Overall Height = 11.3" (29 cm)

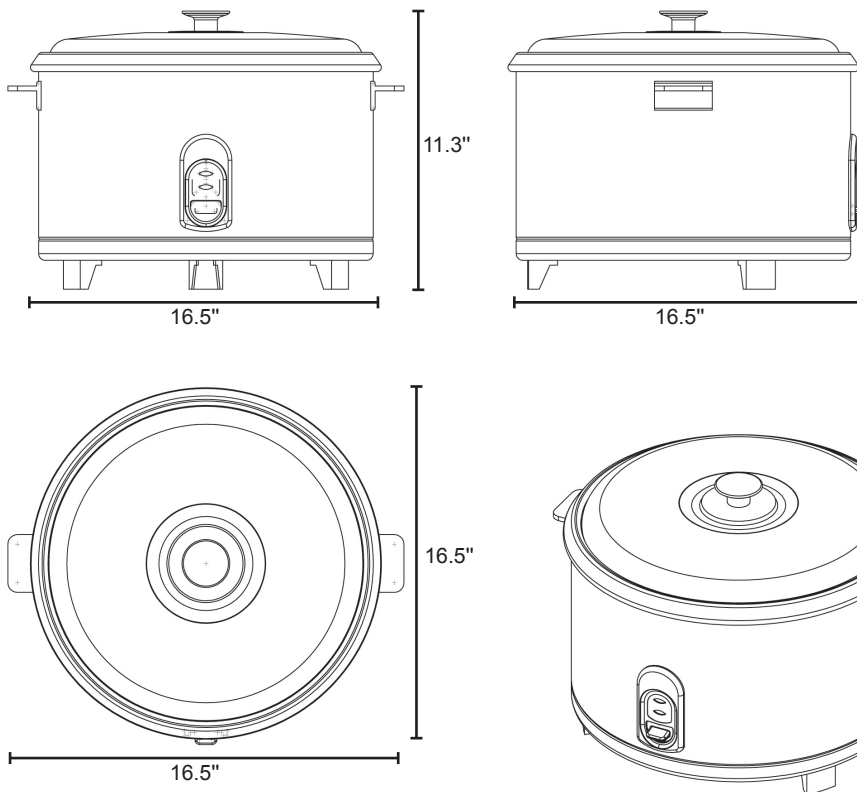
Shipping Information:

Net Weight: 11 lbs (5 kg)
Shipping Weight: 12.2 lbs (5.5 kg)

Shipping Dimensions:

17" W x 17" D x 12" H
(43.2 cm x 43.2 cm x 30.5 cm)

Cartons are reinforced for shipping. The weight and dimensions of this reinforced carton are included above and may vary from shipment to shipment.



Plug Type - NEMA 5-15



GLOBE FOOD EQUIPMENT COMPANY

www.globeslicers.com

2153 Dryden Rd.
Dayton, OH 45439
Phone: 937-299-5493
Phone: 800-347-5423
Fax: 937-299-4147

Printed in U.S.A. 3-2013

Specifications are subject to change without notice.