



# BEVERAGE-AIR

Project: \_\_\_\_\_

AIA#

Item: \_\_\_\_\_

Location: \_\_\_\_\_

SIS#

Approved: \_\_\_\_\_

## UCFD UNDERCOUNTER FREEZER

### UCFD60AHC Four Drawer Model

### Hydrocarbon Series

**MODELS:**

**UCFD60AHC-4**



**UCFD60AHC-4**

**3 Year Parts/Labor Warranty  
Additional 2 Year Compressor Warranty**

### CABINET CONSTRUCTION

- Stainless steel front, sides, top and drawers, (*galvanized back & bottom*)
- Interior liner is made of corrosion resistant aluminum
- Full electronic control
- Interior thermometer is standard
- Durable sub-top insulated for added durability
- Magnetic gaskets attached to each drawer for positive seal
- Painted aluminum drawer handles
- 6" Casters, two (2) with brakes standard
- Stainless steel drawer frames supported on telescoping drawer slides
- Drawer slides include locking mechanism that prevents drawers from being inadvertently pulled off cabinet
- Upper and Lower pull out drawers accommodate 6" deep pans

### OPTIONS & ACCESSORIES

- Stainless steel back and grille
- Stainless steel interior
- 3" Casters or 6" legs
- Low profile casters
- Remote option

### REFRIGERATION SYSTEM

- Refrigeration system uses R290 refrigerant to comply with all environmental concerns
- Automatic, electric defrost
- Epoxy coated evaporator coil

UCFD60AHC-4 Undercounter Freezer: Food Prep Series



3779 Champion Blvd., Winston-Salem, NC 27105  
1-888-845-9800 Fax: 1-336-245-6453  
Beverage-Air.com sales@bevair.com

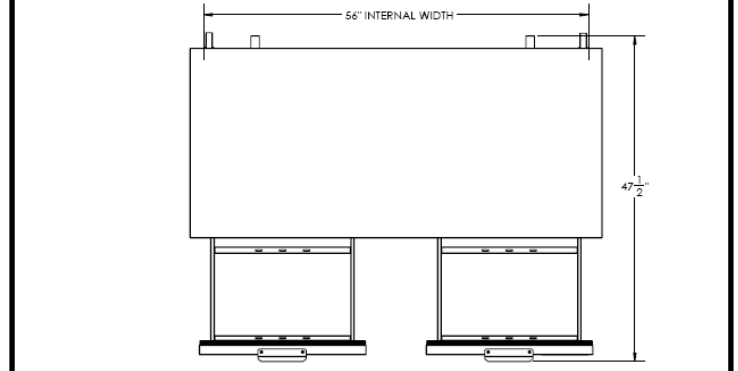


# BEVERAGE-AIR

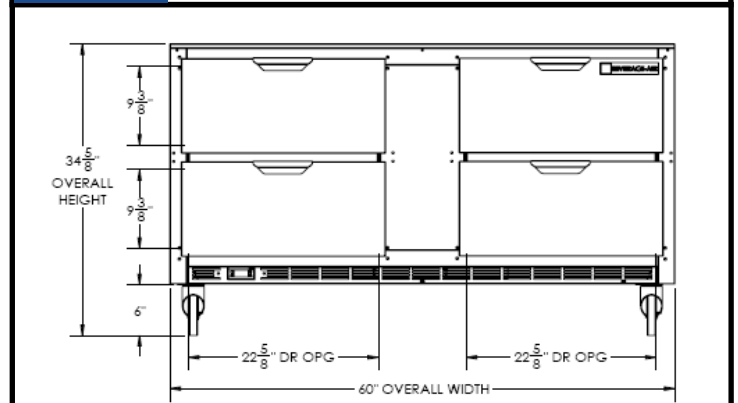
MODEL	UCFD60AHC-4
<b>EXTERNAL DIMENSIONAL DATA</b>	
Width Overall	60"
Depth Overall	32"
Height Overall with 6" Casters	34 5/8"
Number of Drawers	4
Depth with Drawers Open Extended	47 1/2"
Drawers Opening (in)	Upper 22 5/8" x 9 3/8" Lower 22 5/8" x 9 3/8"
<b>INTERNAL DIMENSIONAL DATA</b>	
NET Capacity (cubic ft.)	14.39
Internal Width Overall (in)	56"
Internal Depth Overall (in)	23 1/2"
Internal Depth Useable (in)	Upper 18 1/2" Lower 15 3/8"
Internal Height Front (in)	23"
Internal Height Rear (in)	16"
<b>ELECTRICAL DATA</b>	
Full Load Amperes 115/60/1	7.0
<b>REFRIGERATION DATA</b>	
Horsepower	1/2
Capacity (BTU/Hr)*	1868
<b>WEIGHT DATA</b>	
Gross Weight (Crated lbs)	382 lbs
Height - Crated	35"
Width - Crated	62"
Depth - Crated	33"

## Undercounter Freezer Four Drawer Model Models: UCFD60AHC-4

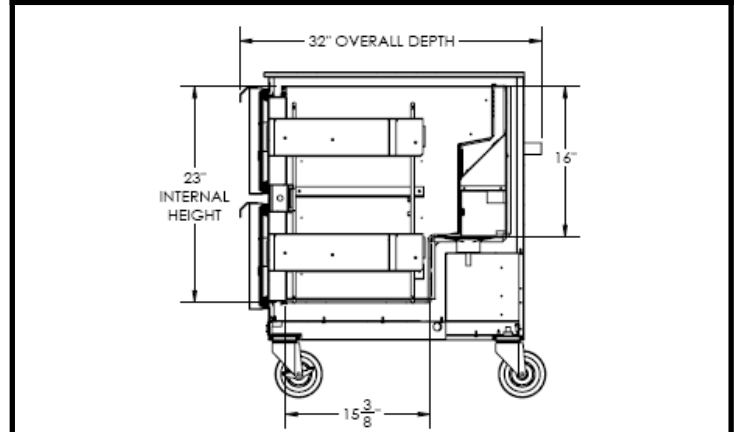
### Model Views



### Plan View



### Elevation View



### Side View

### ELECTRICAL CONNECTION



115/60/1  
NEMA-5-15P

Units pre-wired at factory and include 8' long cord and plug set.



an Ali Group Company



The Spirit of Excellence

3779 Champion Blvd., Winston-Salem, NC 27105  
1-888-845-9800 Fax: 1-336-245-6453  
Beverage-Air.com sales@bevair.com