



BEVERAGE-AIR

Project: _____

AIA#

Item: _____

Location: _____

SIS#

Approved: _____

UCFD UNDERCOUNTER FREEZER

UCFD27AHC Two Drawer Model

Hydrocarbon Series

MODELS:
UCFD27AHC-2

3 Year Parts/Labor Warranty
Additional 2 Year Compressor Warranty

CABINET CONSTRUCTION



UCFD27AHC-2

- Stainless steel front, sides, top and drawers, (*galvanized back & bottom*)
- Interior liner is made of corrosion resistant aluminum
- Full electronic control
- Interior thermometer is standard
- Durable sub-top 1/2" insulated for added durability
- Magnetic gaskets attached to each drawer for positive seal
- Painted aluminum handles
- 6" Casters, two (2) with brakes standard
- Stainless steel drawer frames supported on telescoping drawer slides
- Drawer slides include locking mechanism that prevents drawer from being inadvertently pulled off cabinet
- Upper and Lower pull out drawers accommodate 6" deep pans
- Freezer temperature is held at 0° F and below

OPTIONS & ACCESSORIES

- Stainless steel back and grille
- Stainless steel interior
- 3" Casters or 6" legs
- Low profile casters
- Remote option

REFRIGERATION SYSTEM

- Refrigeration system uses R290 refrigerant to comply with all environmental concerns
- Automatic, electric defrost
- Epoxy coated evaporator coil

UCFD27AHC-2 Undercounter Freezer: Food Prep Series



3779 Champion Blvd., Winston-Salem, NC 27105
1-888-845-9800 Fax: 1-336-245-6453
Beverage-Air.com sales@bevair.com



BEVERAGE-AIR

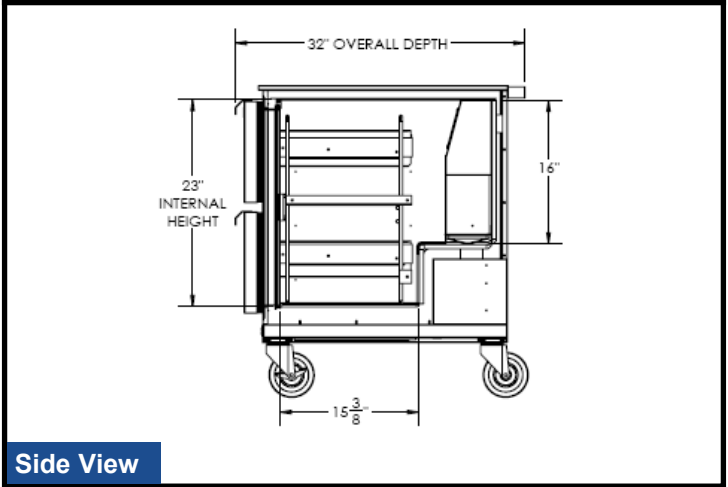
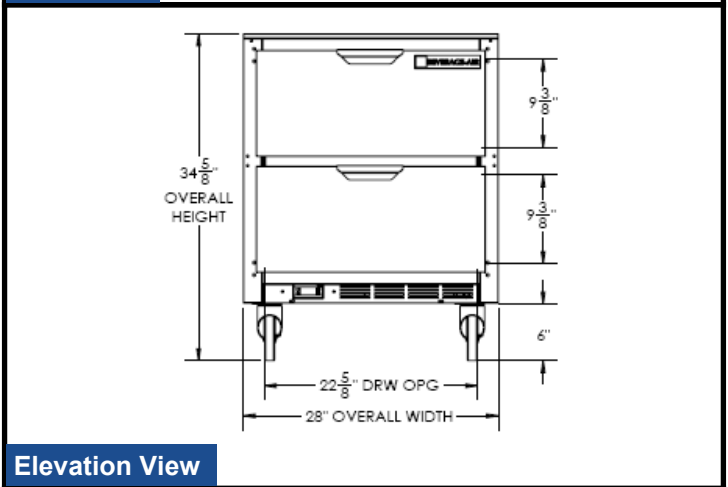
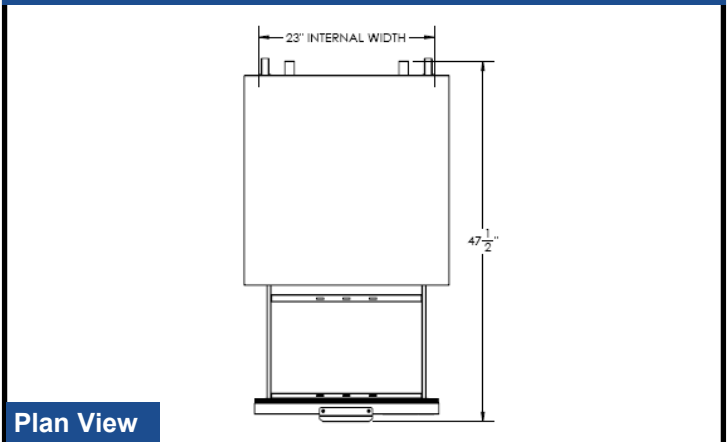
Undercounter Freezer

Two Drawers Model

Models: UCFD27AHC-2

MODEL	UCFD27AHC-2
EXTERNAL DIMENSIONAL DATA	
Width Overall	28"
Depth Overall	32"
Height Overall with 6" Casters	34 5/8"
Number of Drawers	2
Depth with Drawer Open	47 1/2"
Drawer Opening (in)	22 5/8" x 9 3/8" 22 5/8" x 9 3/8"
INTERNAL DIMENSIONAL DATA	
NET Capacity (cubic ft.)	6.13
Internal Width Overall (in)	23"
Internal Depth Overall (in)	23 1/2"
Internal Depth Useable (in)	Upper 18 1/2" Lower 15 3/8"
Internal Height Front (in)	23"
Internal Height Rear (in)	16"
ELECTRICAL DATA	
Full Load Amperes 115/60/1	2.5
REFRIGERATION DATA	
Horsepower	1/4
Capacity (BTU/Hr)*	857
WEIGHT DATA	
Gross Weight (Crated lbs)	206 lbs
Height - Crated	35"
Width - Crated	30"
Depth - Crated	33"

Model Views



ELECTRICAL CONNECTION



115/60/1
NEMA-5-15P

Units pre-wired at factory and include 8' long cord and plug set.



an Ali Group Company



The Spirit of Excellence

3779 Champion Blvd., Winston-Salem, NC 27105
1-888-845-9800 Fax: 1-336-245-6453
Beverage-Air.com sales@bevair.com