



# BEVERAGE-AIR

Project: \_\_\_\_\_

AIA#

Item: \_\_\_\_\_

Location: \_\_\_\_\_

SIS#

Approved: \_\_\_\_\_

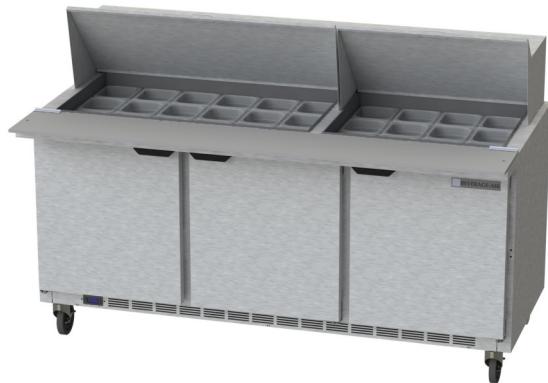
## SPE ELITE SERIES FOOD PREPARATION TABLES

MODELS:

### SPE72HC Mega Top Sandwich Prep Table

SPE72HC-30M

### Hydrocarbon Series



**SPE72HC-30M**

**3 Year Parts/Labor Warranty  
Additional 2 Year Compressor Warranty**

### CABINET CONSTRUCTION

- Stainless steel front, sides, top, doors and grille (galvanized steel back & bottom)
- Interior liner is made of corrosion resistant aluminum
- Full electronic control
- Removable hoods and insulated lid assemblies are made of matching stainless steel
- Self-closing doors with 120° Stay-open feature, on cartridge style hinges
- Field-reversible doors with snap-in door gaskets
- Painted aluminum door handles
- 6" Casters, with (2) brakes standard
- 10" Wide cutting board constructed of white polyethylene plastic
- Cutting board removable for cleaning
- Two (2) epoxy-coated steel wire shelves per section standard
- Thirty (30) 4" deep pans constructed of polycarbonate plastic
- Enhanced airflow maintains temperature between 36° to 38°F

### OPTIONS & ACCESSORIES

- Stainless steel back
- Stainless steel interior
- Right or left hinged
- Locks (doors only)
- Overshelves (single or double)
- Drawers models
- Crumb catcher
- 6" legs or 3" casters available
- Low profile casters
- Richlite & composite cutting board
- Night cover
- Shelf dividers
- Pan Supports
- Digital / stem dial thermometer
- Remote option

### REFRIGERATION SYSTEM

- Refrigeration system uses R290 refrigerant to comply with all environmental concerns
- Automatic, non-electric defrost
- Epoxy coated evaporator coil

**SPE72HC Elite Series Sandwich Prep: Mega Top Series**



3779 Champion Blvd., Winston-Salem, NC 27105  
1-888-845-9800 Fax: 1-336-245-6453  
Beverage-Air.com sales@bevair.com



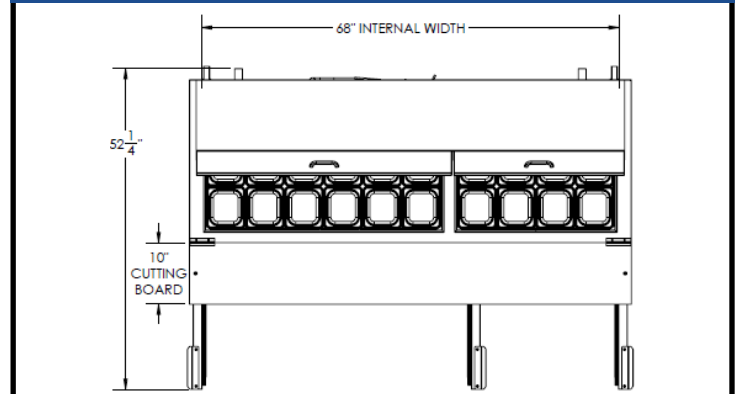
# BEVERAGE-AIR

MODEL	SPE72HC-30M
<b>EXTERNAL DIMENSIONAL DATA</b>	
Width Overall	72"
Depth Overall with Cutting Board & Bumper	38 3/8"
Height Overall with 6" Casters	49"
Number of Doors	3
Depth with Door Open 90°	52 1/4"
Solid Door Opening (in)	19 5/8" x 21 5/8"
Depth, Cutting Board	10"
<b>INTERNAL DIMENSIONAL DATA</b>	
NET Capacity (cubic ft.)	20.02
Internal Width Overall (in)	68"
Internal Depth Overall (in)	23 3/8"
Internal Depth Useable (in)	Upper 18 1/2" Lower 15 3/8"
Internal Height Overall (in)	23"
Internal Height Useable (in)	17 3/4"
Number of Shelves	6
Number of Pans	(30) 1/6
<b>ELECTRICAL DATA</b>	
Full Load Amperes 115/60/1	5.4
<b>REFRIGERATION DATA</b>	
Horsepower	1/3
Capacity (BTU/Hr)*	1549
<b>WEIGHT DATA</b>	
Gross Weight (Crated lbs)	446 lbs
Height - Crated	48"
Width - Crated	74"
Depth - Crated	38"

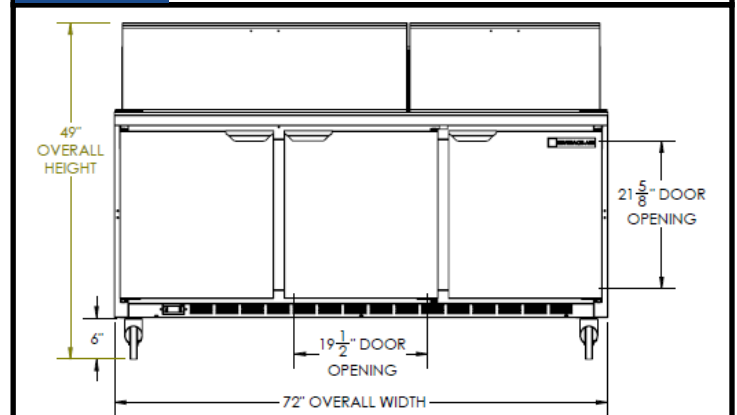
## Food Preparation Table - Mega Top

Models: SPE72HC-30M

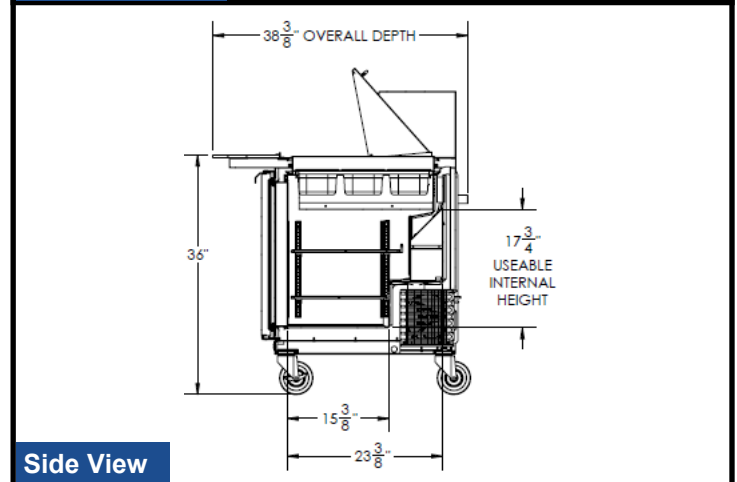
### Model Views



Plan View



Elevation View



Side View

### ELECTRICAL CONNECTION



115/60/1  
NEMA-5-15P

Units pre-wired at factory and include 8' long cord and plug set.



an Ali Group Company



The Spirit of Excellence

3779 Champion Blvd., Winston-Salem, NC 27105  
1-888-845-9800 Fax: 1-336-245-6453  
Beverage-Air.com sales@bevair.com