

CUTTER MIXER FOOD PROCESSOR, 8 QT



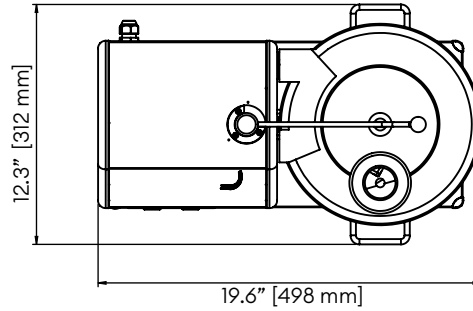
CM-8

FEATURES

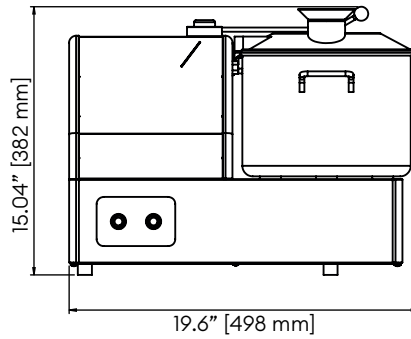
- Polaris CM-8 Cutter Mixer is your go-to food processor for grinding and mincing ingredients with ease.
- The lid features a central opening for seamless addition of liquid or solid components, while the bowl securely locks to the base with a click-on application, ensuring stability during use.
- Cleaning up is a breeze with all removable parts dishwasher-friendly.
- The entire unit is constructed with corrosion-resistant stainless steel, enhancing durability.
- With an impressive 8-liter (8.5-qt) capacity, the Cutter Mixer serves 20 to 100 meals per service.
- Heavy duty construction
- 8-liter (8.5-qt) capacity
- Motor power: 0.37 kW, 1,400 rpm, single speed
- Gear transmission
- Bowl dimension (diameter/depth): 9.4" / 6.9"
- Safety interlocks
- All stainless steel body, bowl, blades, and accessories
- Easy removable blade and bowl
- Smooth quiet operation
- A high-heat and shock-resistant lid
- 120 V/60 Hz/1 ph
- One-year limited parts & labor warranty (USA & Canada only).

CUTTER MIXER FOOD PROCESSOR, 8 QT

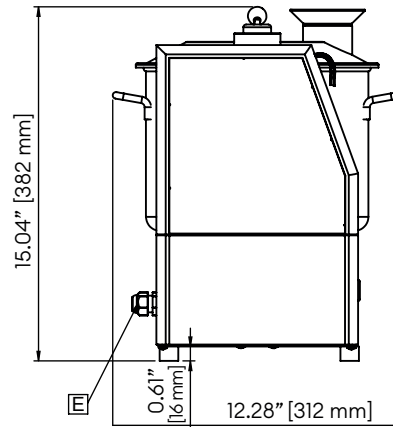
TOP VIEW



FRONT VIEW



SIDE VIEW



E: Electric Inlet
0.37 kW / 110 V / 60 Hz

TECHNICAL SPECIFICATIONS:

Model	Dimensions (W x H x D)	Capacity	Power	Electrical
CM-8	19.6" x 14.9" x 12.3" 498 x 379 x 312 mm	8.5 Qt	0.37 kW	120V/1P/4A

Galaxy Group reserves the right to modify specifications or discontinue models without incurring obligation.
Dimensions are nominal.