

ELECTRIC CHARBROILER



CB-24E

CB-36E



FEATURES

- Pegasus Electric Charbroilers are reliable and versatile solutions designed for professional broiling applications.
- Each broiler features lift-up broiling element for fast cooking with lower energy consumption.
- Infinite controls, stainless steel body, and stainless steel grease drawer.
- 4" legs included.

- Electric broiler with infinite temperature control.
- 6.25 or 11.25 kW power.
- Lift up broiler/heating elements.
- Faster cooking with low energy.
- Easy to clean.
- Stainless steel body.
- Stainless steel grease drawer.
- Heavy duty 4" legs.
- 208V / 3 Phase or 208V / 1 Phase.
- Field convertible from 3 phase to 1 phase.
- One-year limited parts & labor warranty (USA & Canada only).

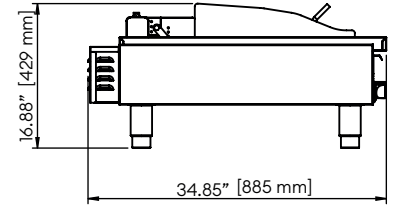
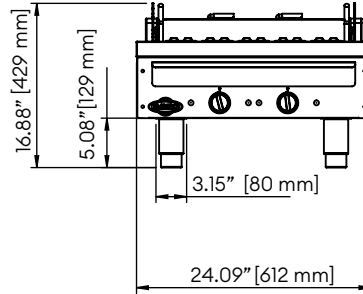
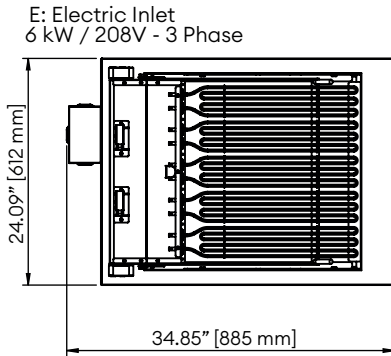
ELECTRIC CHARBROILER

TOP VIEW

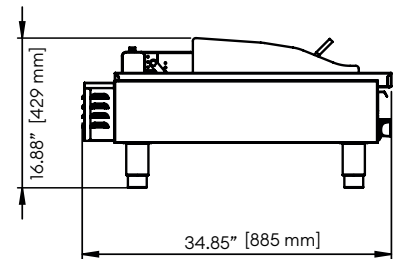
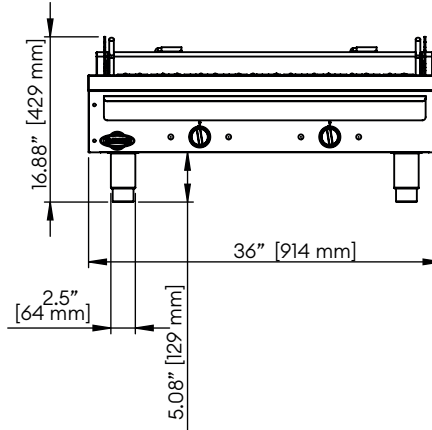
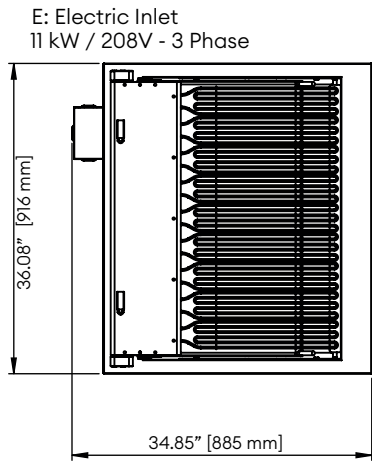
FRONT VIEW

SIDE VIEW

CB-24E



CB-36E



TECHNICAL SPECIFICATIONS:

Model	Power	Voltage	Phase	Nominal Amps 208V - 3P	Nominal Amps 208V - 1P	Dimensions (W x H x D)	Shipping Dimensions (W x H x D)	Shipping Weight
CB-24E	6.25 kW	208V	3P (field convertible to 1P)	18	30	24.09" x 16.88" x 34.85" 612 x 428 x 885 mm	31.49" x 19.68" x 37.79" 800 x 500 x 960 mm	89 lb 40 kg
CB-36E	11.25 kW	208V	3P (field convertible to 1P)	32	54	36.06" x 16.88" x 34.85" 916 x 428 x 885 mm	39.37" x 19.68" x 37.79" 1000 x 500 x 960 mm	132 lb 60 kg

REQUIRED CLEARANCES:

	Non-Combustible	Combustible Construction
Left	0" (00 mm)	1" (25 mm)
Right	0" (00 mm)	3" (76 mm)
Back	2" (51 mm)	3" (76 mm)



Galaxy Group reserves the right to modify specifications or discontinue models without incurring obligation. Dimensions are nominal.