



OSION



OCU-200 ICE MAKER

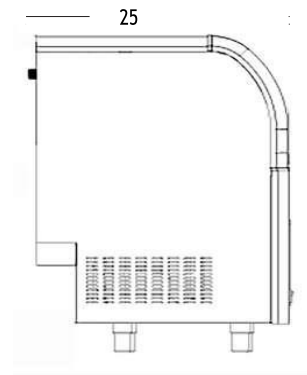
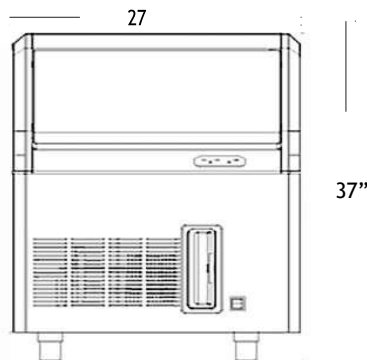
SELF CONTAINED UNDERCOUNTER

This heavy duty self-contained ice maker features maximum output, high storage capacity with space-saving application. A classic design with automatic easy operation panel and low energy consumption.

STANDARD FEATURES

- ▣ Up to 200 lbs. production of ice per 24 hours
- ▣ Built-in ice storage capacity of 80 lbs.
- ▣ Crescent shaped cubes
- ▣ Ergonomic ice access with slide-up door
- ▣ Smart display with friendly operation
- ▣ Thermo insulated ice bin

- ▣ Heavy duty 304 stainless steel exterior
- ▣ Removable & washable air filter
- ▣ Adjustable 6" legs for level install
- ▣ ETL safety & sanitation listed
- ▣ Water filter recommended



SPECIFICATIONS

MODEL OCU-200

Cond Unit	Cube Style	Daily Production	Cube Cycle Full Dice	Cube Cycle Half Dice	Storage	Water Usage gal/100lbs 90°F - 70°F	Voltage	Amps
Air Cooled	Crescent	200 lbs/24hr/90 kg	150 pcs	300	80 lbs (36.44 kg)	23 gal	115V/60Hz	4.33 Amps
Net Weight	Shipping Weight	Refrigerant	Water Connection	Water Pressure	Overall Dimensions (WDH)		Shipping Dimensions (WDH)	
152 lbs (69.1 kg)	165 lbs (75 kg)	R290	3/4"	20-80 PSI	27.8 x 25.8 x 36.8 in 705 x 656 x 935 mm		30.8 x 28.1 x 39.0 in 780 x 715 x 990 mm	

*Operating Requirements Air Temp Farenheit: 50 degrees Minimum 100 degrees Maximum

Warranty: 36 months parts and labor, additional 24 months compressor parts only. See Osion Price List for full details.

OSION is a registered trademark of MVP Group.

Due to continuing product development, to ensure best possible performance, the specifications are subject to change without prior notice. NEMA-5-15P Intertek Intertek



www.mvpgroupcorp.com



3560 NW 56th Street
Fort Lauderdale, FL 33309
Tel.: 786.600.4687 / Toll Free: 844.218.8477
Fax.: 786.661.4100



5659 Royalmount Avenue
Montreal, Qc, Canada H4P 2P9
Tel.: 514.737.9701 / Toll Free: 888.275.4538
Fax.: 514.342.3854 / Toll Free: 877.453.8832

sales@mvpgroupcorp.com