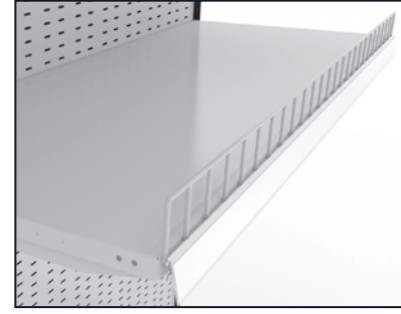


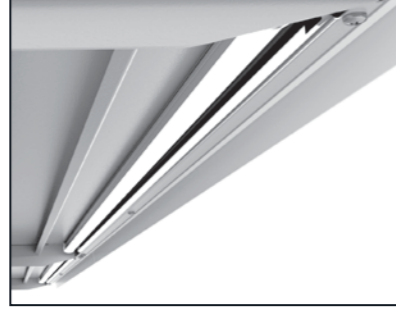
ACCESSORIES



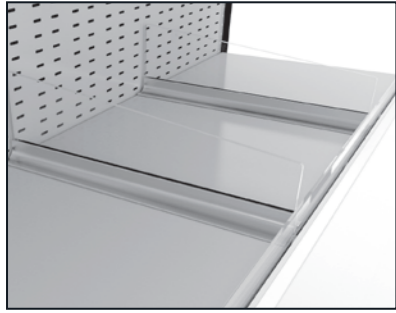
PLEXI SHELF RISER



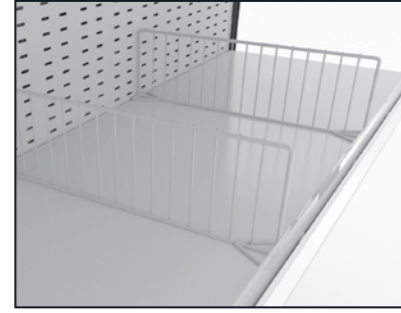
WIRE SHELF RISER



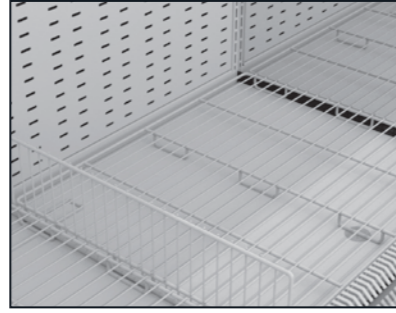
SHELF LIGHTING



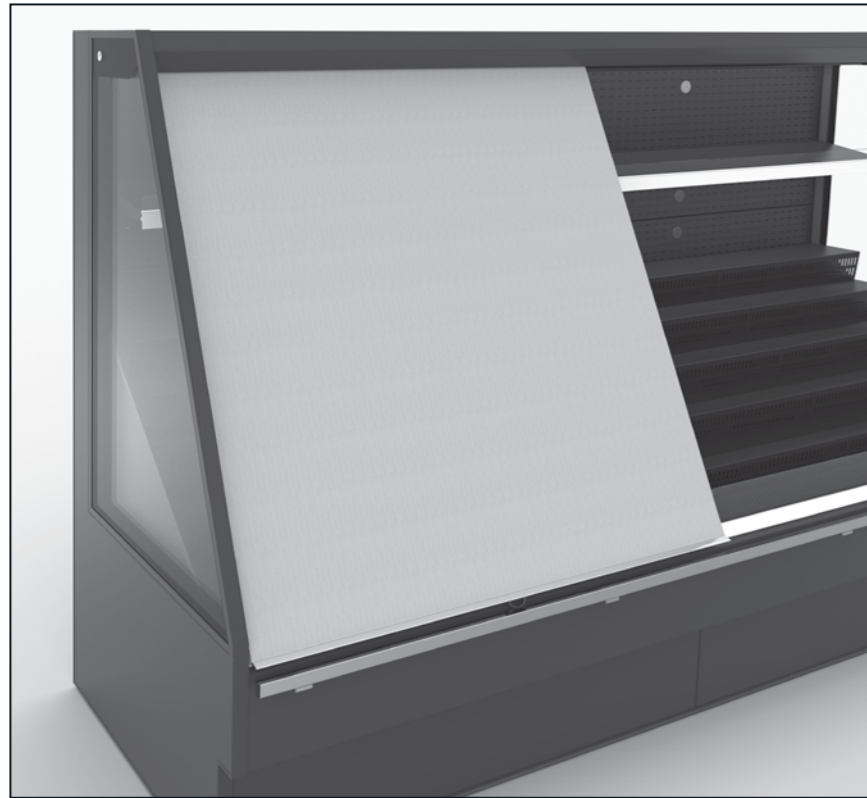
PLEXI PRODUCT DIVIDER



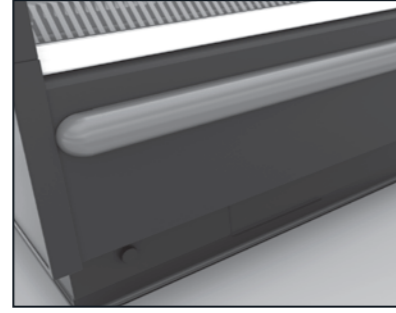
WIRE PRODUCT DIVIDER



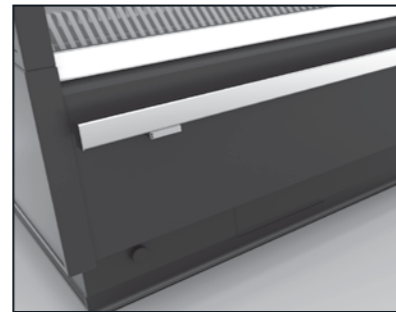
WIRE BASE TRAY
WIRE BASE PRODUCT DIVIDER



NIGHT BLIND



PLASTIC BUMPRAIL

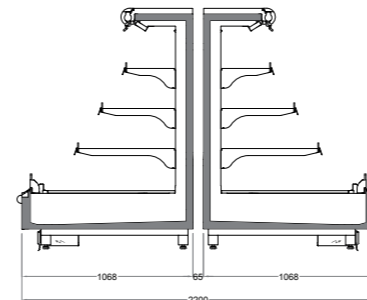
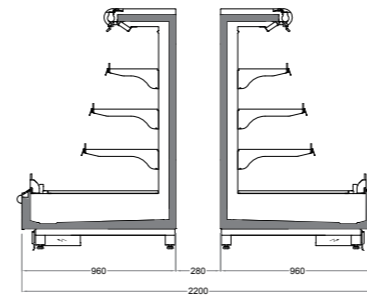
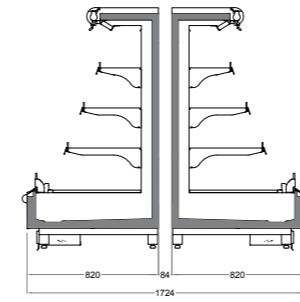
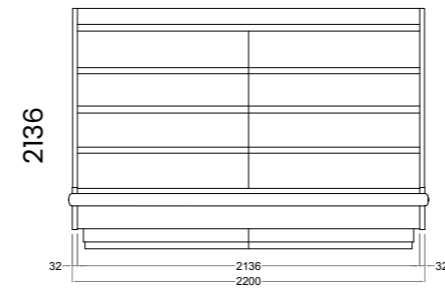
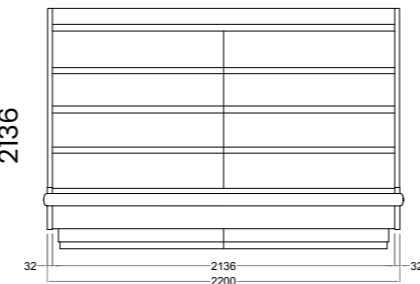
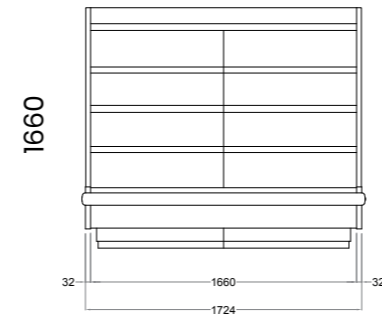
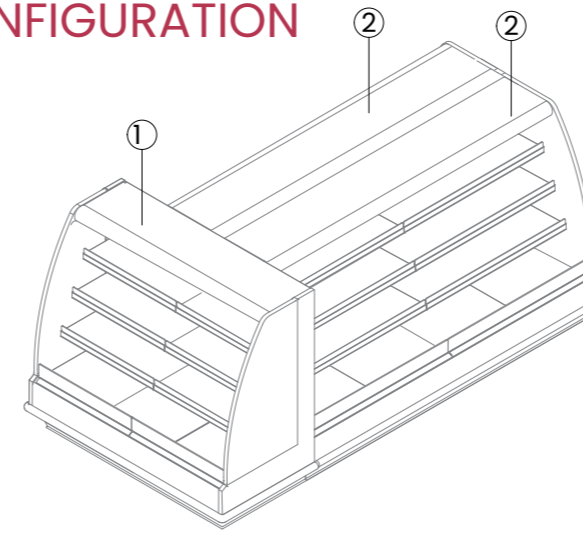


STAINLESS STEEL BUMPRAIL

TECHNICAL DATA

ISLAND CONFIGURATION

- ① HEAD CASE
- ② RUN CASE



OPAL
SEMI VERTICAL MULTI-DECK



OPAL

SEMI VERTICAL MULTI-DECK



Benefits & Specifications:

- Small footprint with compact design
- Easy access and ergonomic design
- Fully configurable to different concepts
- Ideal for wide variety of food presentations

- Designed for modular configurations
- Simplified maintenance
- Low operating costs
- Delivers high standard of performance

Dimensions (mm):

Height : 1500

Length :

Run Cabinets : 1250 / 1875 / 2500 / 3750

End Cabinets : 1660 / 2136

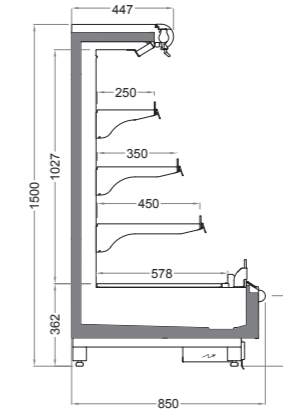
Depth : 850 / 1000 / 1100

SYSTEM	OPERATING TEMP. °C	REFRIGERANT
REMOTE	-1 / +1 +2 / +4 +4 / +6	HFC blend HFC/HFO blend CO ₂

HFC: R407A / R407F / R134a / R404A • HFC/HFO: R448A / R449A / R452A / R450A
CO₂: R744

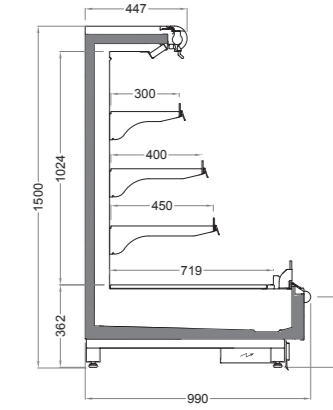


TECHNICAL DATA



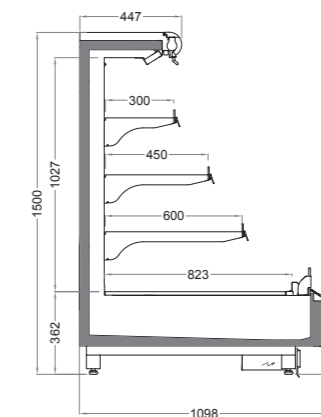
OPAL V3 850 HI500

Length mm | 1250 | 1875 | 2500 | 3750 | HC:1660



OPAL V3 1000 HI500

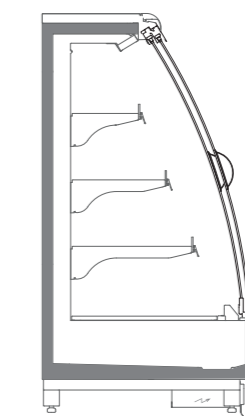
Length mm | 1250 | 1875 | 2500 | 3750 | HC:2136



OPAL V3 1100 HI500

Length mm | 1250 | 1875 | 2500 | 3750 | HC:2136

CURVED GLASS DOORS



FLAT GLASS DOORS

