

PROJECT: _____

LOCATION: _____

ITEM#: _____

QUANTITY: _____


C-23FM-HC

C-49FM-HC

C-72FM

HINGED GLASS DOOR FREEZERS

- Beautiful ergonomic construction
- Digital temperature controller & read-out
- White powder coated steel exterior and interior
- Forced air refrigeration system
- Bottom mount compressor
- Recessed door handles
- LED interior lighting
- Bright lighted top display sign
- Low-E, Triple pane heated glass
- Heavy duty ABS extruded door frame
- Pre-installed casters and shelving
- 90 degree hold open door feature for loading products
- Door locks
- All Natural R290 Hydrocarbon Refrigerant
- US Department of Energy Certified
- Migali® Protection Plan: 1 Year Parts & Labor Warranty, 5 Years Compressor Warranty

MODEL	DOORS	CAPACITY CU/FT	SHELVES	H/P	AMPS	VOLTAGE	ENERGY CONSUMPTION KWH/24 HR	PLUG TYPE	TEMP RANGE	EXTERIOR DIMENSIONS W X D X H*	INSIDE DIMENSIONS W X D X H**	PACKAGED DIMENSIONS W X D X H**	WEIGHT	PACKAGED WEIGHT
C-23FM-HC	1	23	4	1/2	7.5	115/60/1	8.0	Nema 5-15P	-10° F (~) 0° F	28.8" x 31.5" x 81"	22.2" x 25.1" x 60"	29" x 34" x 83"	285 lbs.	316 lbs.
C-49FM-HC	2	49	8	3/4	12	115/60/1	12.1	Nema 5-15P	-10° F (~) 0° F	54.4" x 31.5" x 81"	49.7" x 25.1" x 60"	57" x 34" x 83"	495 lbs.	518 lbs.
C-72FM**	3	72	12	1 & 1/2	9.6	208-230/115/60/1	18.3	Nema L14-20P	-10° F (~) 0° F	82" x 31.5" x 81"	77.1" x 25.1" x 60"	84" x 34" x 83"	719 lbs.	755 lbs.

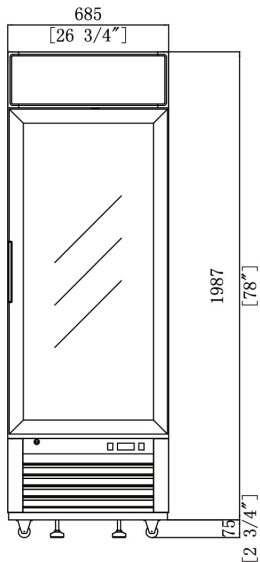
* Total height includes 3" casters

**404a Refrigerant

NOTE: MIGALI® RESERVES THE RIGHT TO CHANGE SPECIFICATIONS WITHOUT NOTICE

DIMENSIONAL DRAWINGS

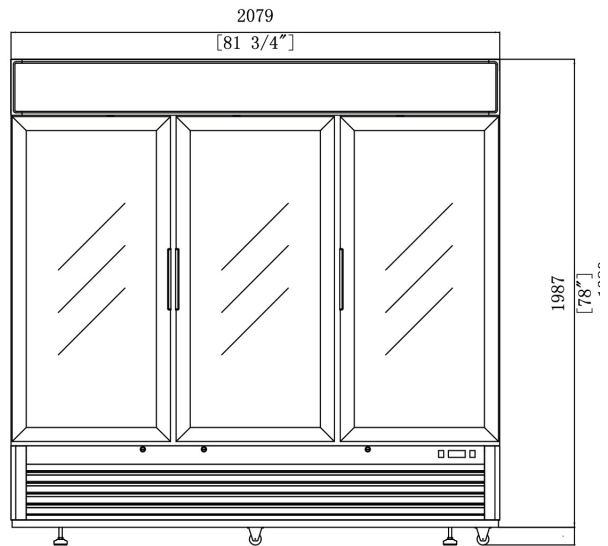
C-23FM-HC



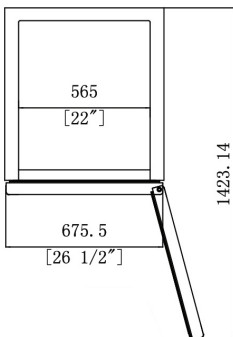
C-49FM-HC



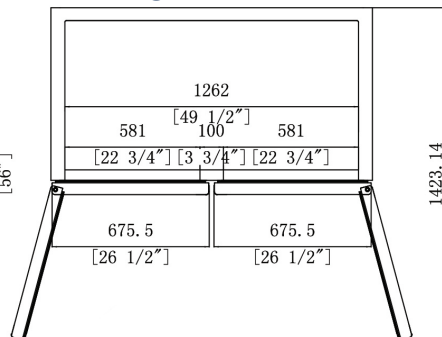
C-72FM



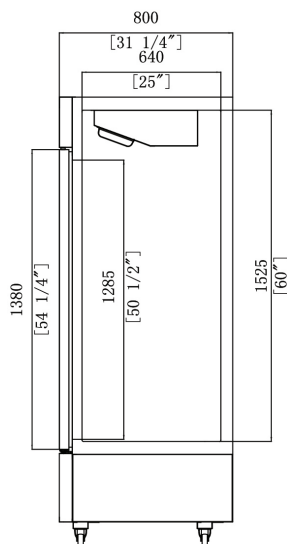
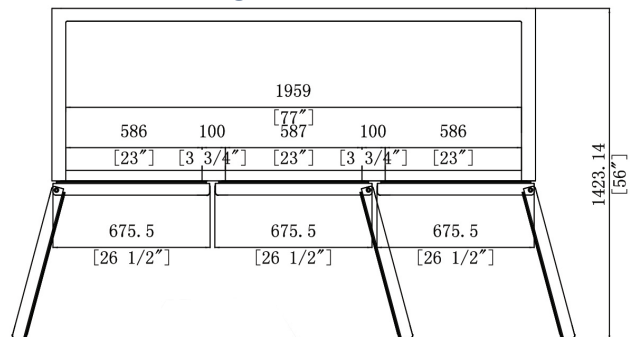
**C-23FM-HC
TOP VIEW**



**C-49FM-HC
TOP VIEW**



**C-72FM-HC
TOP VIEW**



SIDE VIEW (1,2,3) DOOR MODELS



MIGALI® REMAINS AN AMERICAN FAMILY COMPANY SINCE 1955