

PROJECT:	_____
LOCATION:	_____
ITEM#:	_____
QUANTITY:	_____


C-1FB-HC

C-2FB-HC

C-3FB

BOTTOM MOUNT REACH-IN FREEZERS

- Beautiful ergonomic construction & rounded corners
- Digital temperature controller & read-out
- All stainless steel exterior and interior
- Forced air refrigeration system
- Recessed door handles
- LED Interior Lighting
- Door locks
- 90 degree hold open door feature for loading products
- Migali® Protection Plan: 1 Year Parts & Labor Warranty, 5 Years Compressor Warranty
- Bottom mount compressor for enhanced efficiency
- Pre-installed casters and shelving
- Auto-defrost
- Air plenum across back wall for even temperature distribution throughout cabinet interior
- All Natural R290 Hydrocarbon Refrigerant
- US Department of Energy Certified

MODEL	DOORS	CAPACITY CU/FT	SHELVES	H/P	AMPS	VOLTAGE	ENERGY CONSUMPTION KWH/24 HR	PLUG TYPE	TEMP RANGE	EXTERIOR DIMENSIONS W X D X H*	INSIDE DIMENSIONS W X D X H**	PACKAGED DIMENSIONS W X D X H**	WEIGHT	PACKAGED WEIGHT
C-1FB-HC	1	23	3	1/2	7.5	115/60/1	7.99	Nema 5-15P	-10° F (~) 0° F	27" x 31.5" x 83.2"	22.25" x 25.25" x 60"	29" x 33.5" x 86.2"	278 lbs.	294 lbs.
C-2FB-HC	2	49	6	3/4	12	115/60/1	15.43	Nema 5-15P	-10° F (~) 0° F	54.4" x 31.5" x 83.2"	49.63" x 25.25" x 60"	56.4" x 33.5" x 86.2"	410 lbs.	425 lbs.
C-3FB	3	72	9	1 & 1/4	5.5	208-230/115/60/1	6.89	Nema L14-20P	-10° F (~) 0° F	81.9" x 31.5" x 83.2"	77.12" x 25.25" x 60"	83.9" x 33.5" x 86.2"	606 lbs.	621 lbs.

* Total height includes casters

***404a Refrigerant

NOTE: MIGALI® RESERVES THE RIGHT TO CHANGE SPECIFICATIONS WITHOUT NOTICE

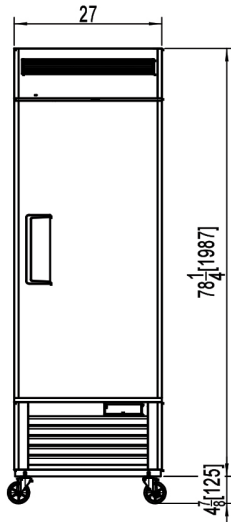


TOLL FREE: 800.852.5292
WEB: www.migali.com

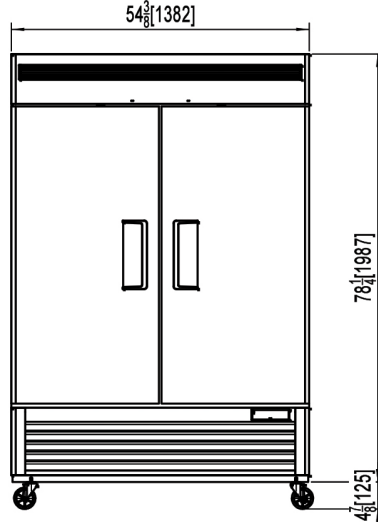


DIMENSIONAL DRAWINGS

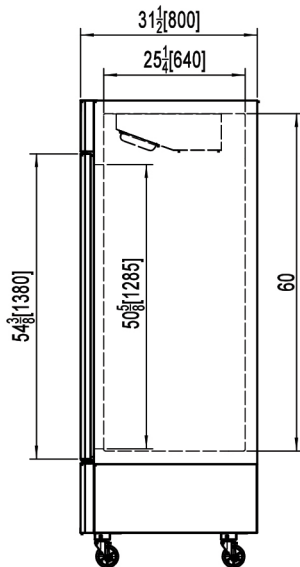
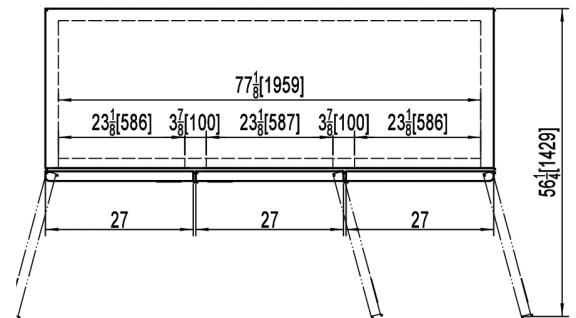
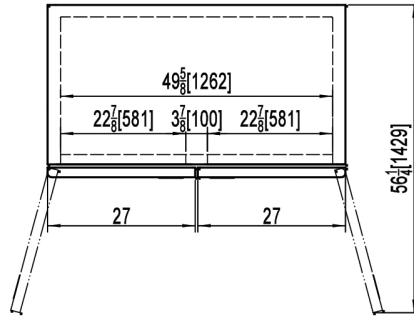
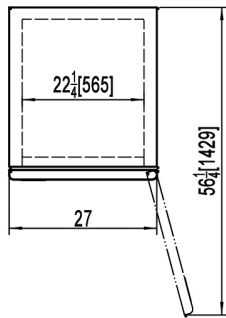
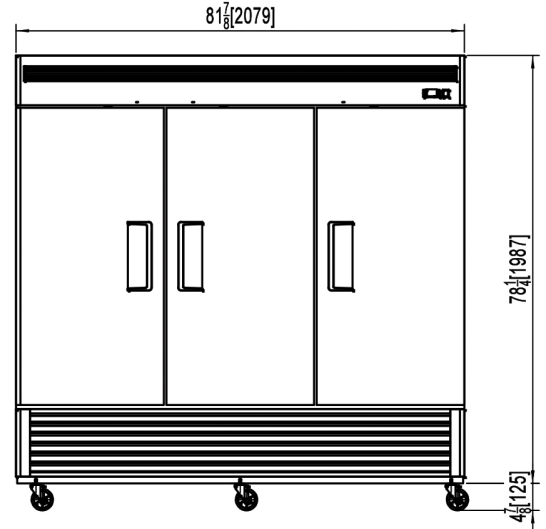
C-1FB-HC



C-2FB-HC



C-3FB



SIDE VIEW (1,2,3) DOOR MODELS



MIGALI® REMAINS AN AMERICAN FAMILY COMPANY SINCE 1955